



US00D397659S

United States Patent [19]

Raevsky et al.

[11] Patent Number: Des. 397,659

[45] Date of Patent: **Sep. 1, 1998

[54] SUN SCREEN SET FOR A VEHICLE VISOR

[76] Inventors: Vitaly Raevsky, 401 Crenford Rd., Cherry Hill, N.J. 08003; Valery Shishkin, 801 Cooperlanding Rd. Apt. 202B, Cherry Hill, N.J. 08002

[**] Term: 14 Years

[21] Appl. No.: 64,384

[22] Filed: Dec. 30, 1996

[51] LOC (6) Cl. 12-16

[52] U.S. Cl. D12/191

[58] Field of Search D12/190, 191, D12/417; 160/370.21, DIG. 3; 248/481, 484; 296/97.1-97.3, 97.4, 97.5, 97.6, 97.7, 97.9, 97.11-97.13, 97.8; D8/395-396; 224/312; 359/844, 850

[56] References Cited

U.S. PATENT DOCUMENTS

D. 259,393	6/1981	Kuru	D8/395
D. 311,716	10/1990	Widzig	D12/191
D. 328,887	8/1992	Fillios et al.	D12/191
D. 351,578	10/1994	Whitt	D12/191
D. 371,532	7/1996	Raevsky	D12/191
1,932,475	10/1933	Peteler	296/97.1
2,594,386	4/1952	Blessen	296/97.1
2,594,813	4/1952	Seibert	160/DIG. 3
2,927,819	3/1960	Johnson	296/97.1
3,061,006	10/1962	Hazlett	D12/191
4,171,845	10/1979	Hirsch	296/97.1

4,707,018	11/1987	Gavagan	296/97.6
4,763,946	8/1988	Robbins	296/97 H
4,824,161	4/1989	Lee	296/97.8
4,869,542	9/1989	Lin	296/97.8
4,926,295	5/1990	Tomuzaya	362/144
4,929,014	5/1990	Clark	296/97.8
5,076,633	12/1991	Hsu	296/97.4
5,098,149	3/1992	Lee	296/97.8
5,133,585	7/1992	Hassan	296/97.5
5,332,090	7/1994	Tucker	D8/395 X
5,513,892	5/1996	Thomas	296/97.2

Primary Examiner—James Gandy
Assistant Examiner—Stacia Sinuik

[57] CLAIM

The ornamental design for a sun screen set for a vehicle visor, as shown and described.

DESCRIPTION

FIG. 1 is a perspective view of a sun screen set for a vehicle visor showing our new design;

FIG. 2 is an enlarged front view thereof, with portions broken away for ease of illustration;

FIG. 3 is a side view of FIG. 2;

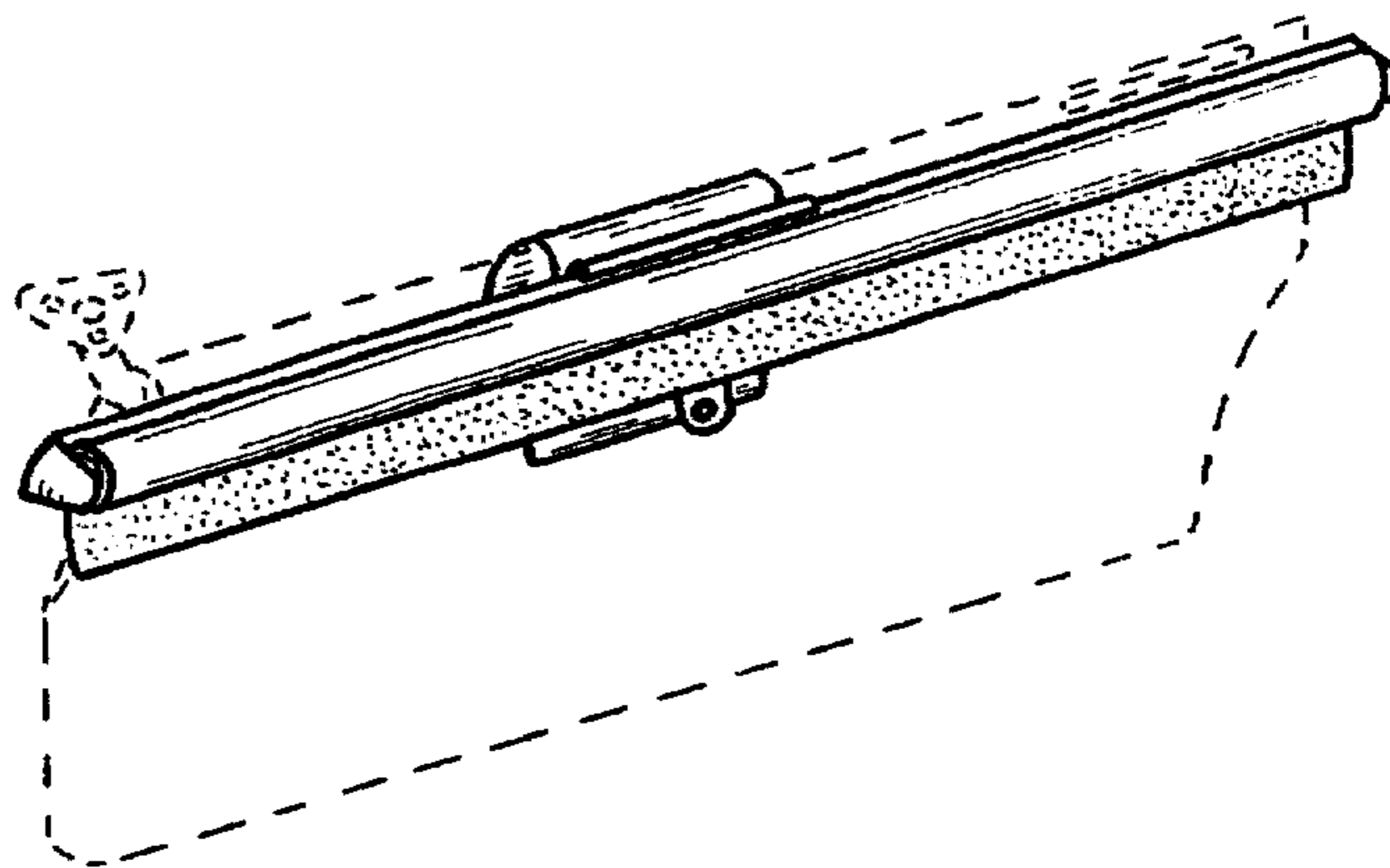
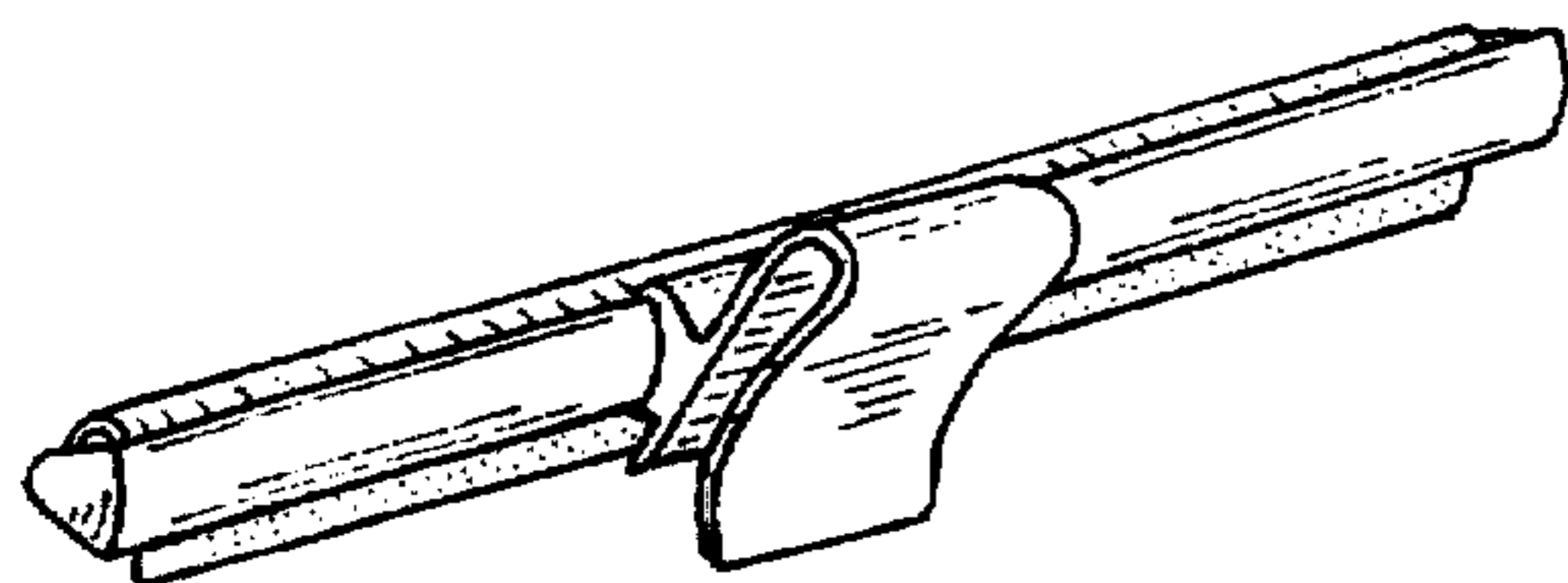
FIG. 4 is an enlarged front view of the clip of the sun screen set, shown separately for clarity of illustration;

FIG. 5 is a side view of FIG. 4; and,

FIG. 6 is a perspective view of the sun screen set shown attached to a visor.

The broken line showing of the visor is for illustrative purposes only and forms no part of the claimed design.

1 Claim, 2 Drawing Sheets



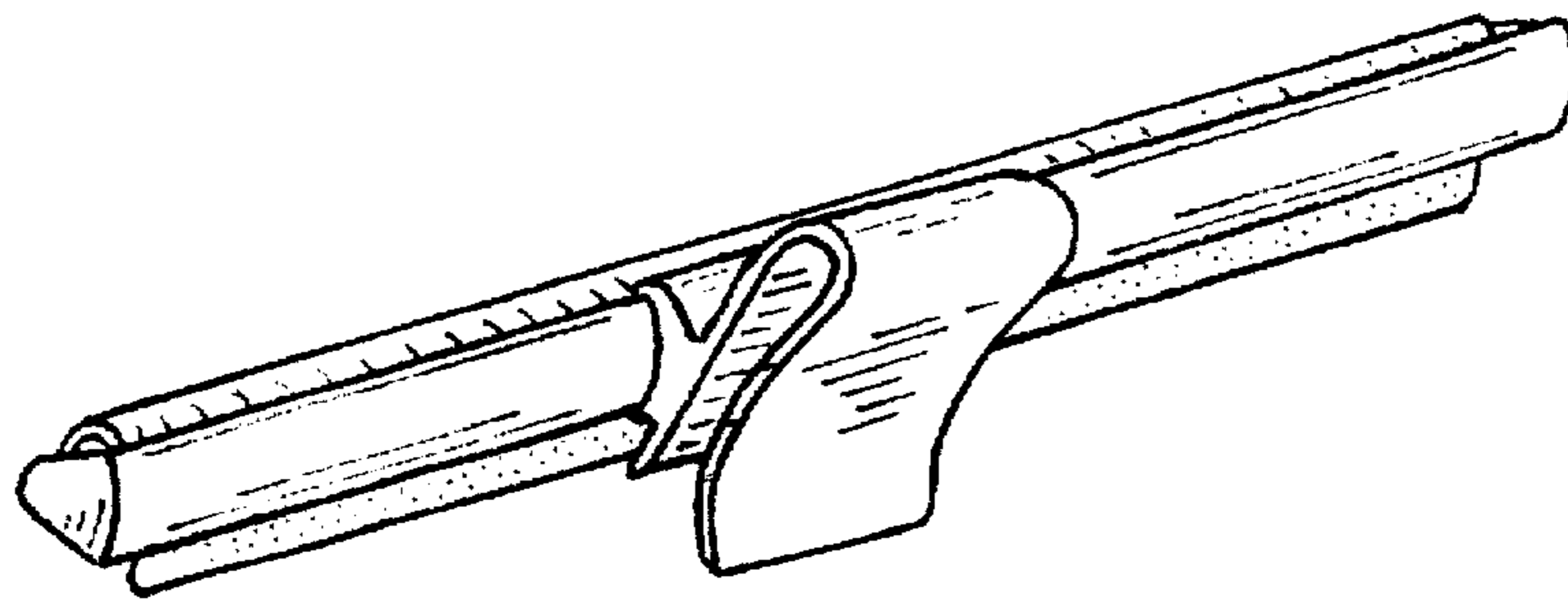


Fig. 1

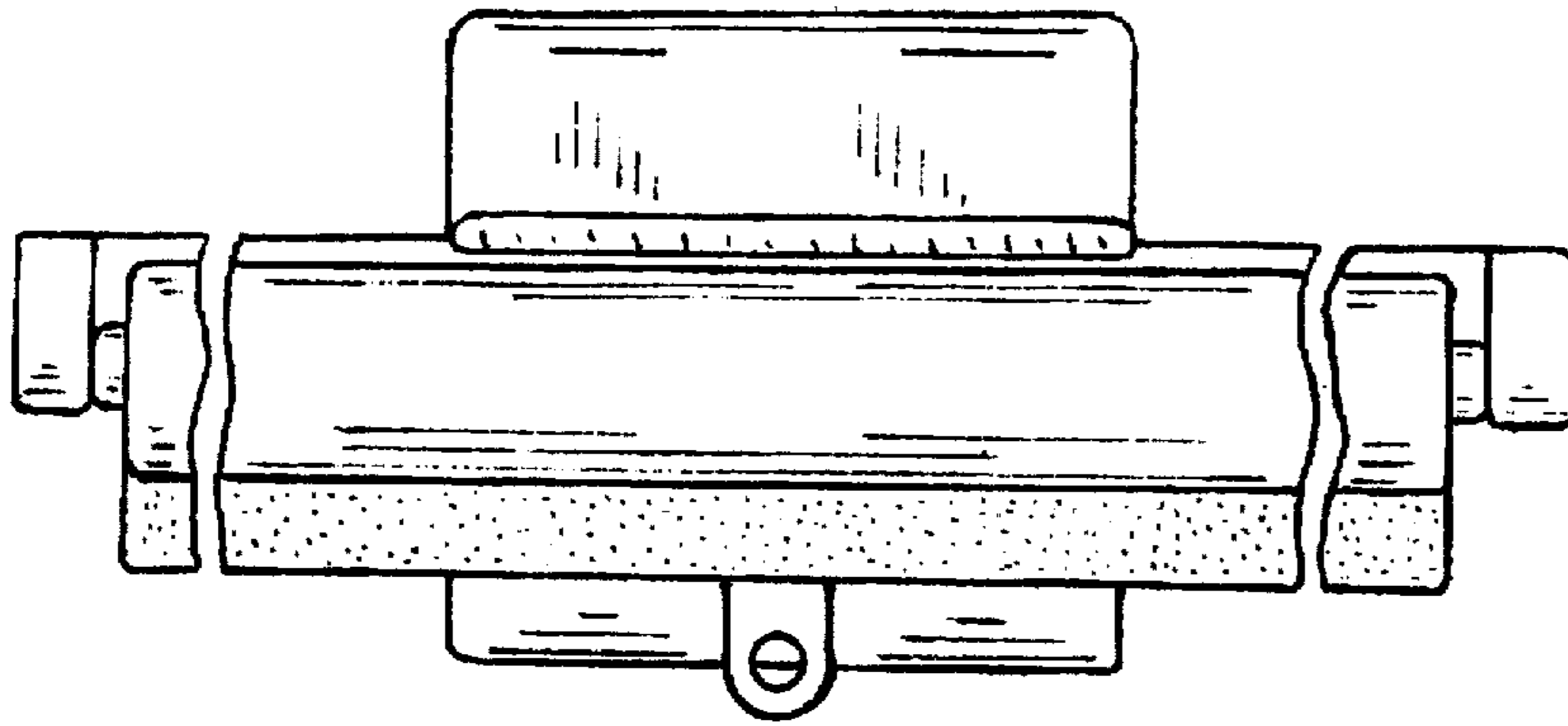


Fig. 2

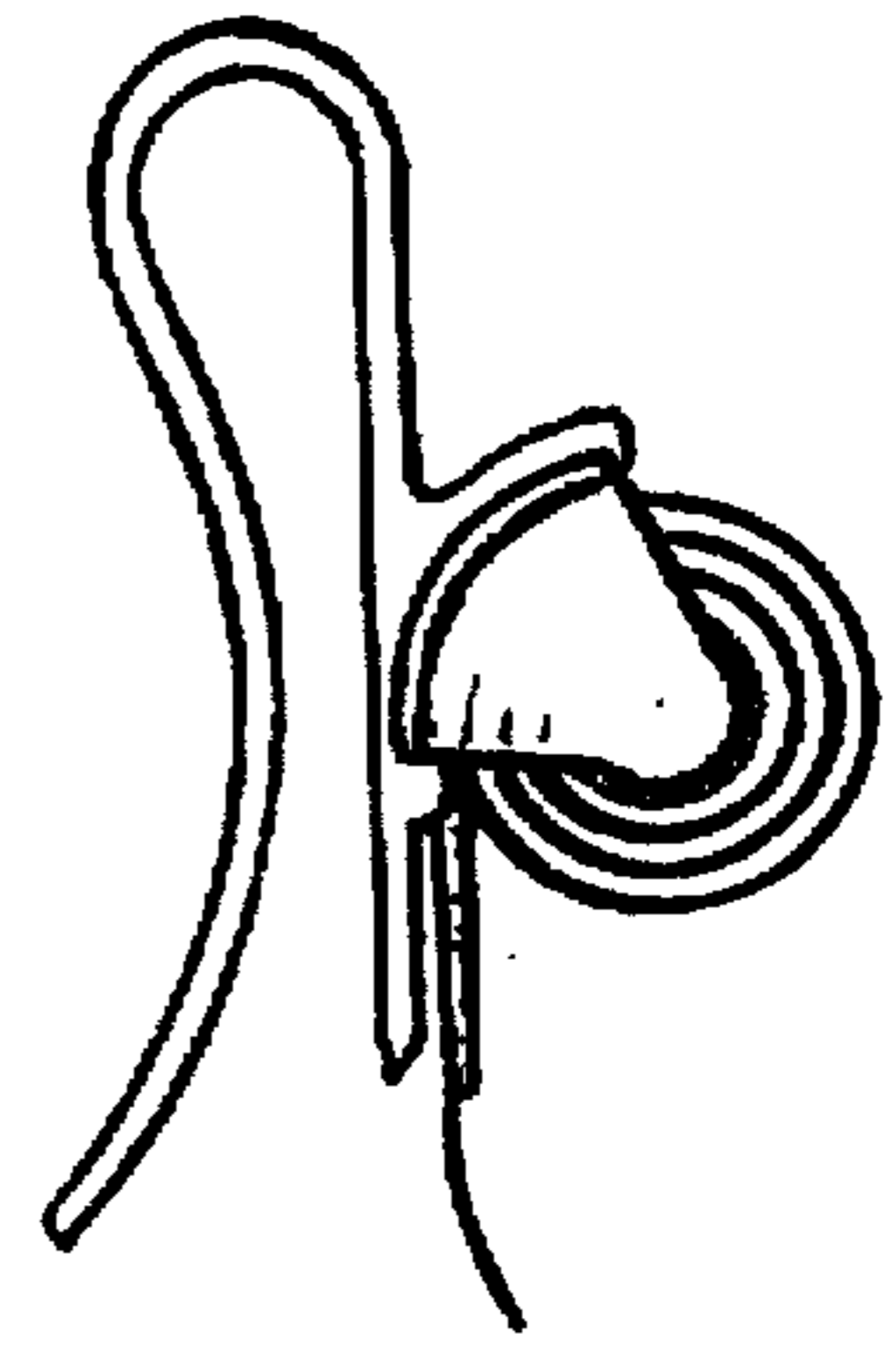


Fig. 3

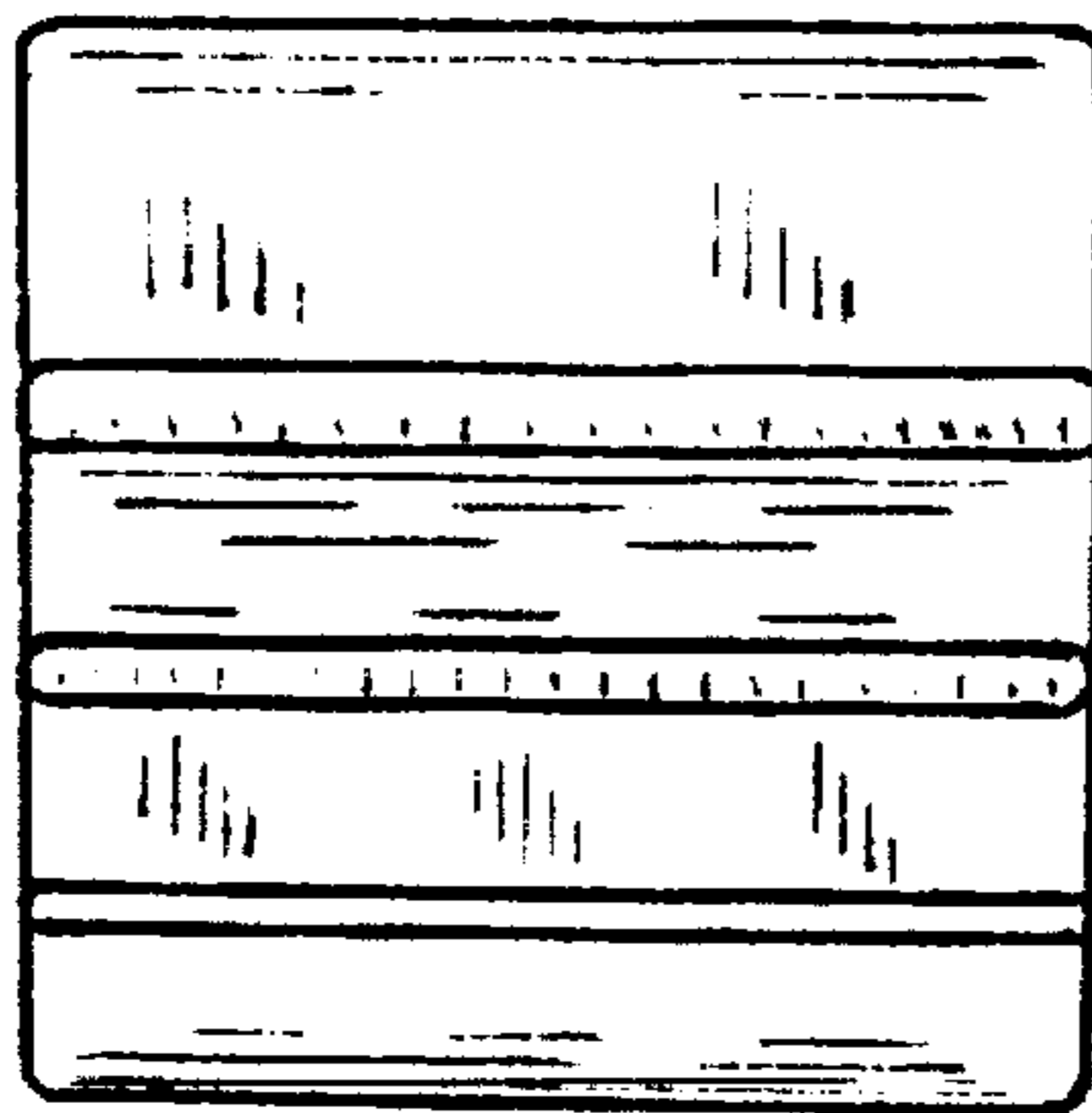


Fig. 4

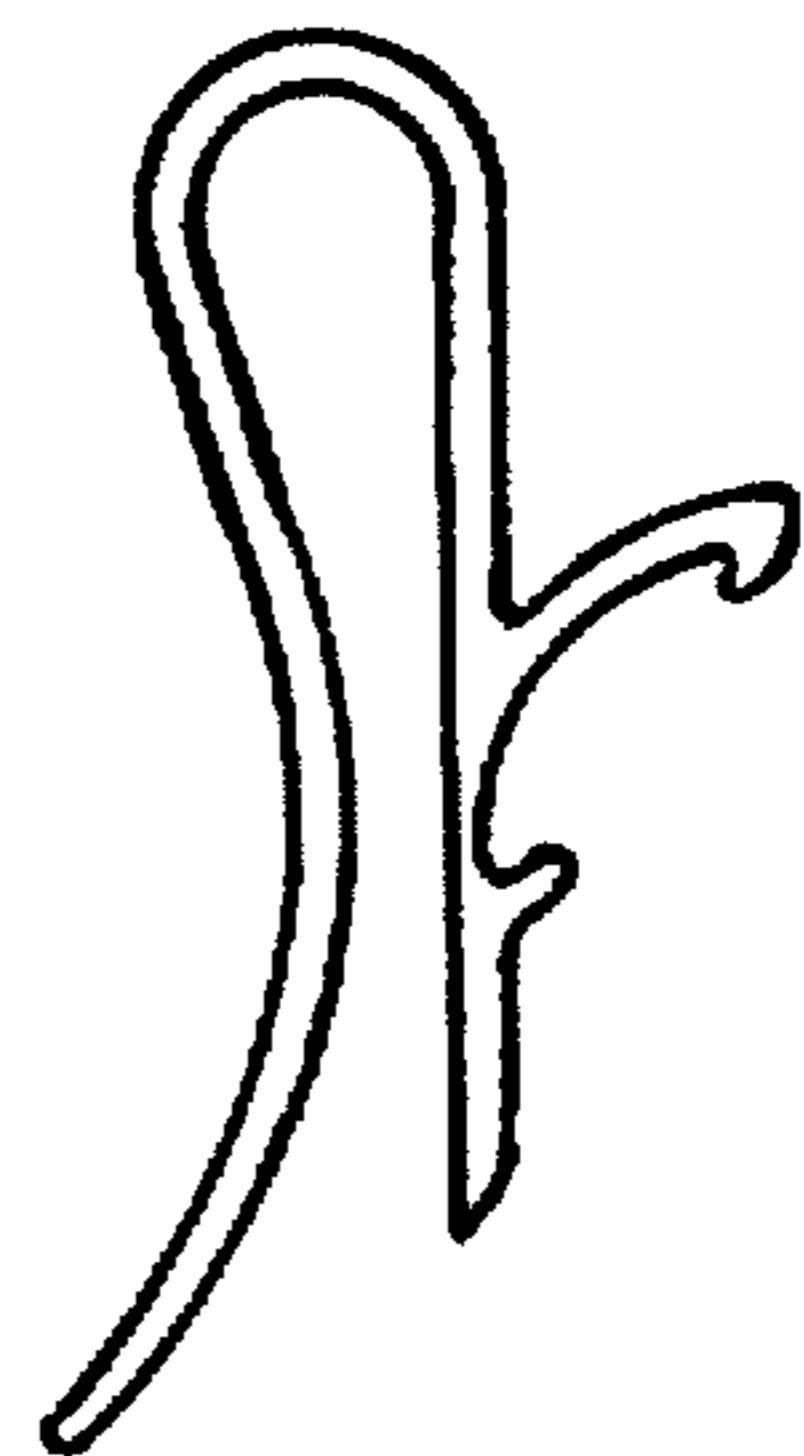


Fig. 5

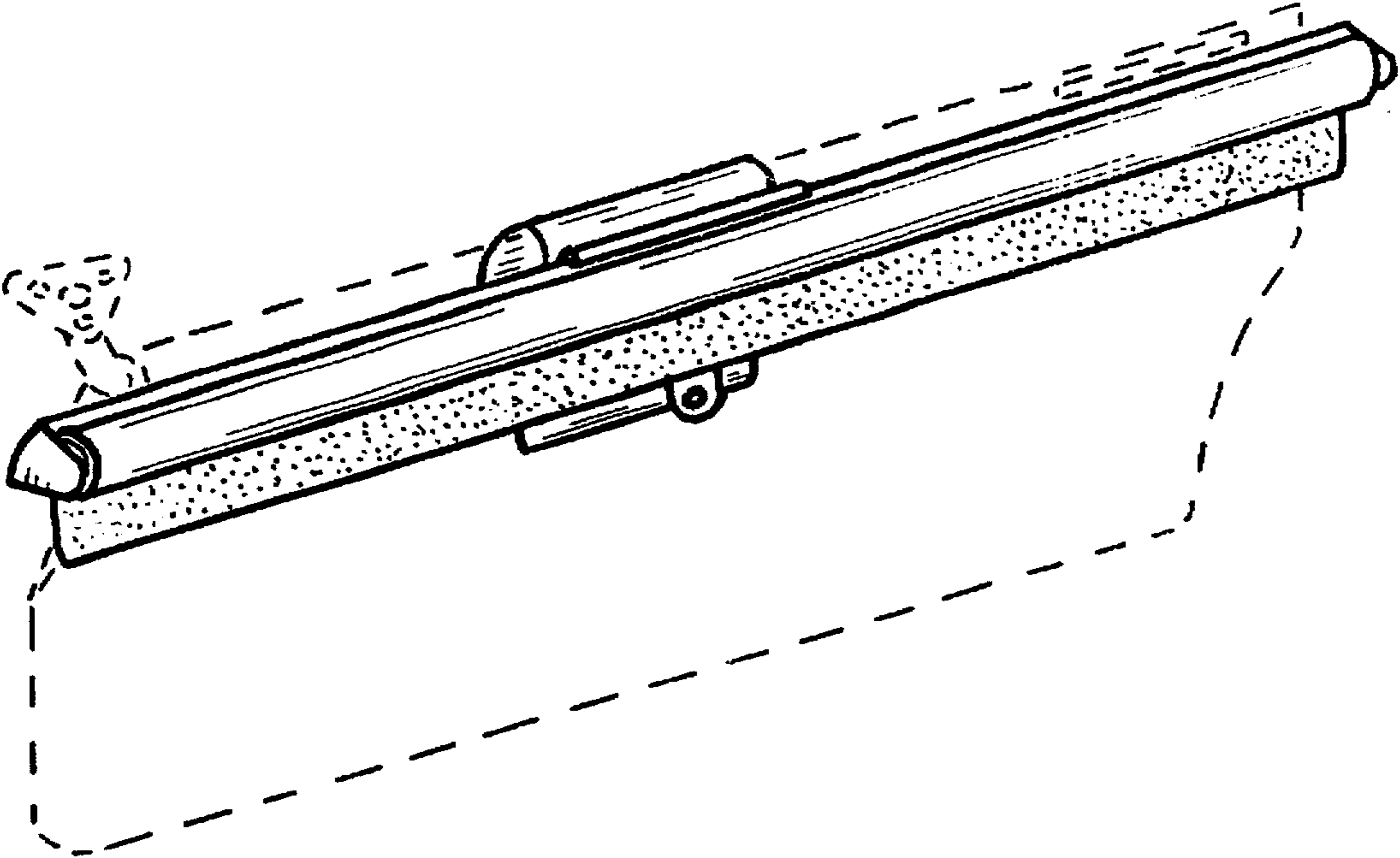


Fig.6