



US00D397653S

**United States Patent** [19]  
**Heinen**

[11] **Patent Number:** **Des. 397,653**  
[45] **Date of Patent:** **\*\*Sep. 1, 1998**

[54] **TIRE TREAD**

[75] **Inventor:** **Richard Heinen, Habay-la-Neuve, Belgium**

[73] **Assignee:** **The Goodyear Tire & Rubber Company, Akron, Ohio**

[\*\*] **Term:** **14 Years**

[21] **Appl. No.:** **71,645**

[22] **Filed:** **Jun. 5, 1997**

[51] **LOC (6) Cl.** ..... **12-15**

[52] **U.S. Cl.** ..... **D12/147**

[58] **Field of Search** ..... **D12/134, 136, D12/138, 140-151; 152/209 R, 209 D, 209 B**

[56] **References Cited**

**U.S. PATENT DOCUMENTS**

D. 284,562	7/1986	Kojima et al.	.....	D12/147
D. 304,557	11/1989	Ochiai	.....	D12/146
D. 304,558	11/1989	Fukumoto	.....	D12/146
D. 313,781	1/1991	Kuroda	.....	D12/147
D. 328,580	8/1992	Killian	.....	D12/147
D. 341,345	11/1993	Killian	.....	D12/146
D. 362,218	9/1995	McKisson	.....	D12/147
D. 366,233	1/1996	Lassan et al.	.....	D12/147
D. 368,688	4/1996	Scarpitti et al.	.....	D12/147
D. 379,339	5/1997	Guspodin et al.	.....	D12/147
D. 379,954	6/1997	Matsuda et al.	.....	D12/147

**OTHER PUBLICATIONS**

Co-Pending Design Application, Docket DN1997081 for Heinen.

Firestone Affinity Tire Ad, Tire Review Magazine, p. 9, Jun. 1995.

Falken Tire Illustration, Tire Review Magazine, p. 1, Jun. 1995.

Lassa BN-505 Tire, Tread Design Guide, p. 43, Feb. 1996.

*Primary Examiner*—Robert M. Spear

*Attorney, Agent, or Firm*—T P Lewandowski

[57] **CLAIM**

The ornamental design for a tire tread, as shown and described.

**DESCRIPTION**

FIG. 1 is a perspective view of a tire tread, it being understood that the pattern repeats uniformly throughout the circumference of the tread;

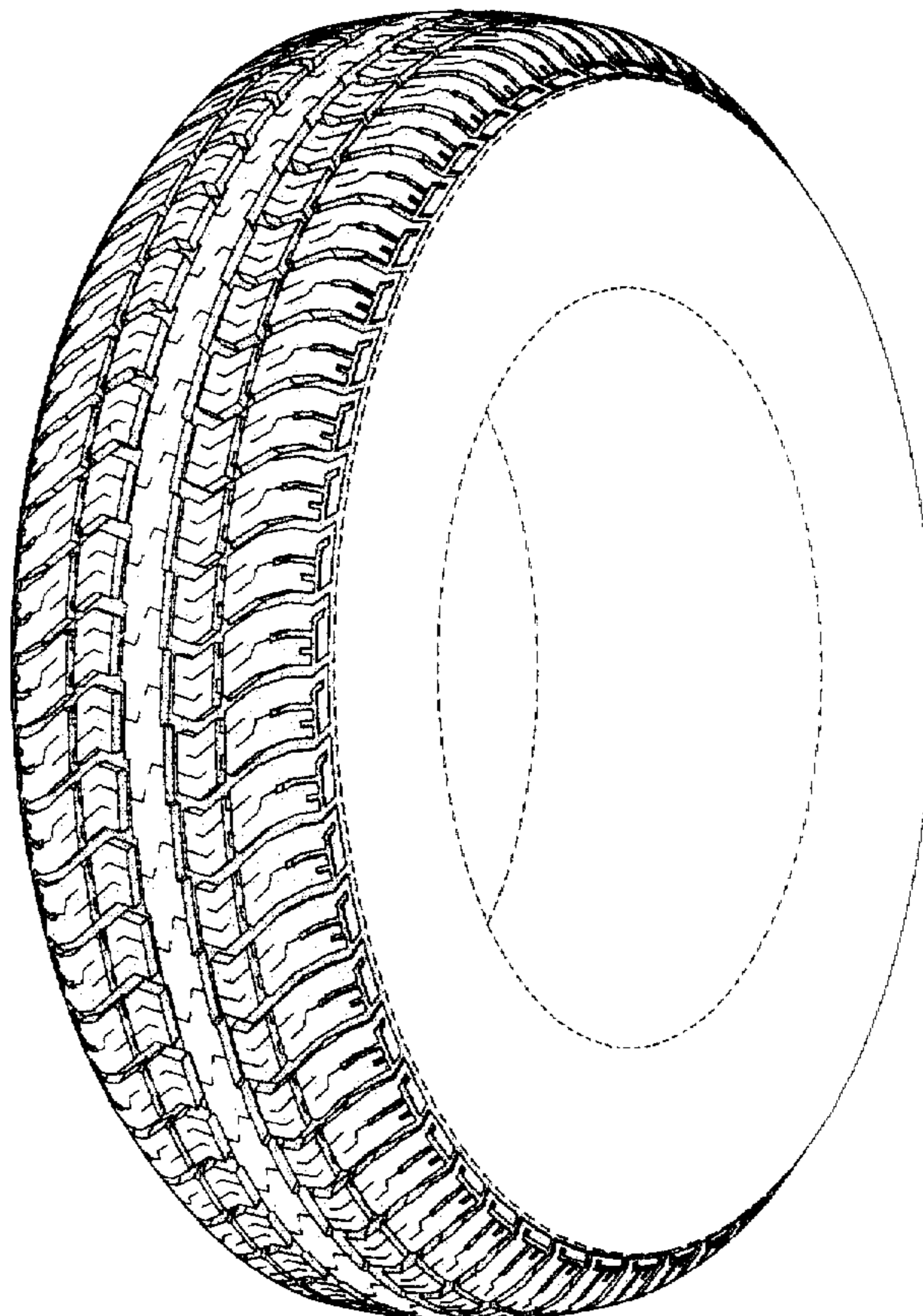
FIG. 2 is a front elevational view thereof;

FIG. 3 is a side elevational view thereof, the opposite side elevational view being identical thereto; and,

FIG. 4 is an enlarged fragmentary front perspective view thereof.

In the drawings, the broken lines defining the inner bead of the sidewall and the peripheral boundary between the tire tread and the sidewall are for illustrative purposes only and form no part of the claimed design.

**1 Claim, 4 Drawing Sheets**



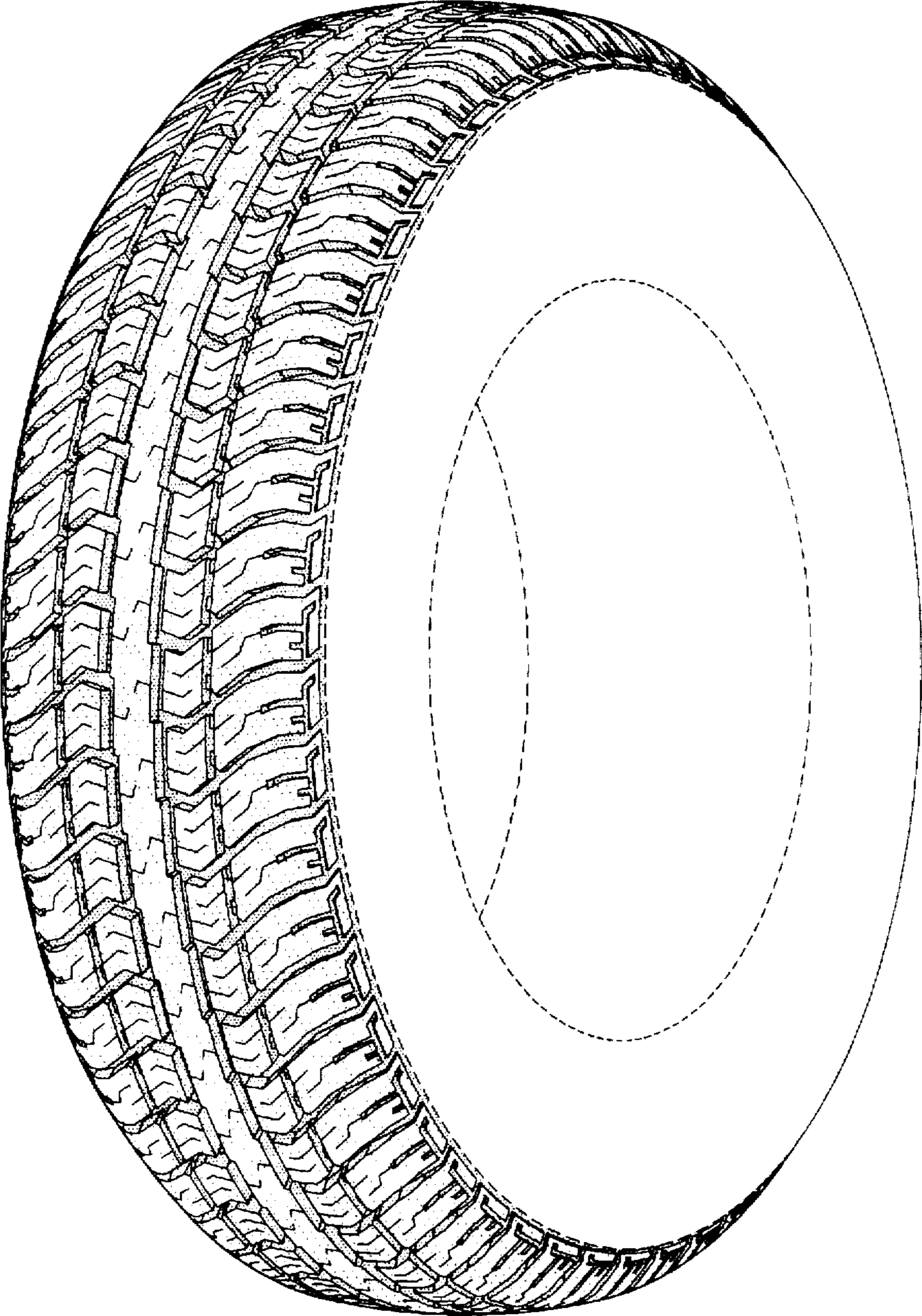


FIG-1

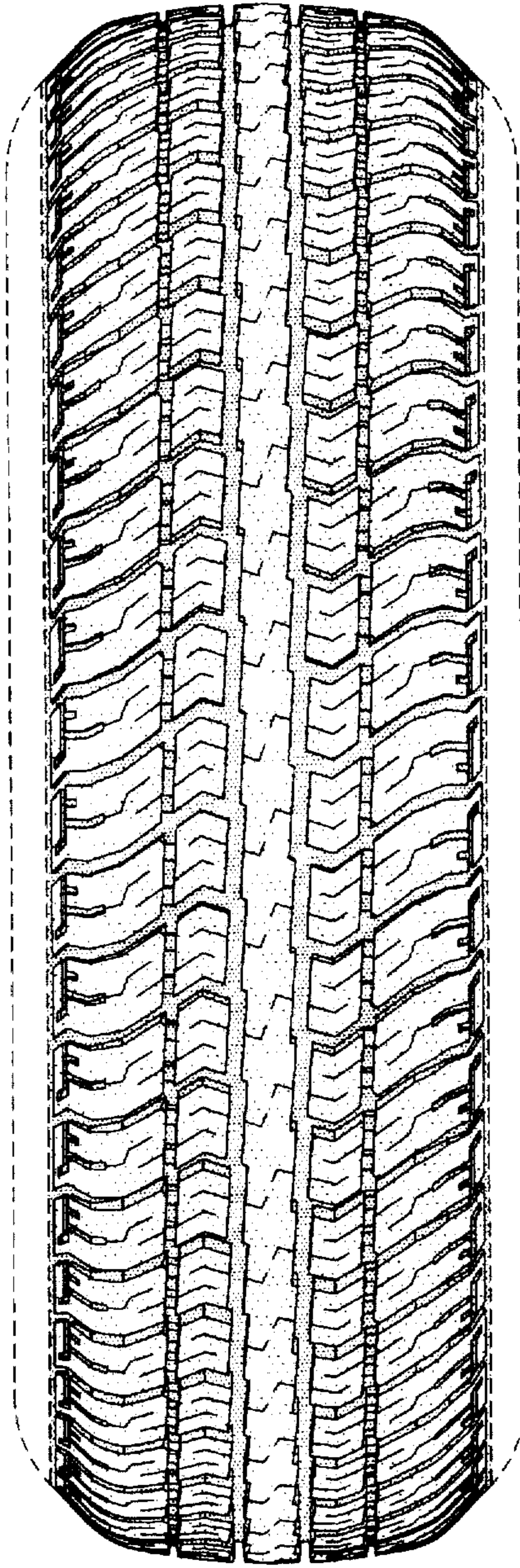


FIG-2

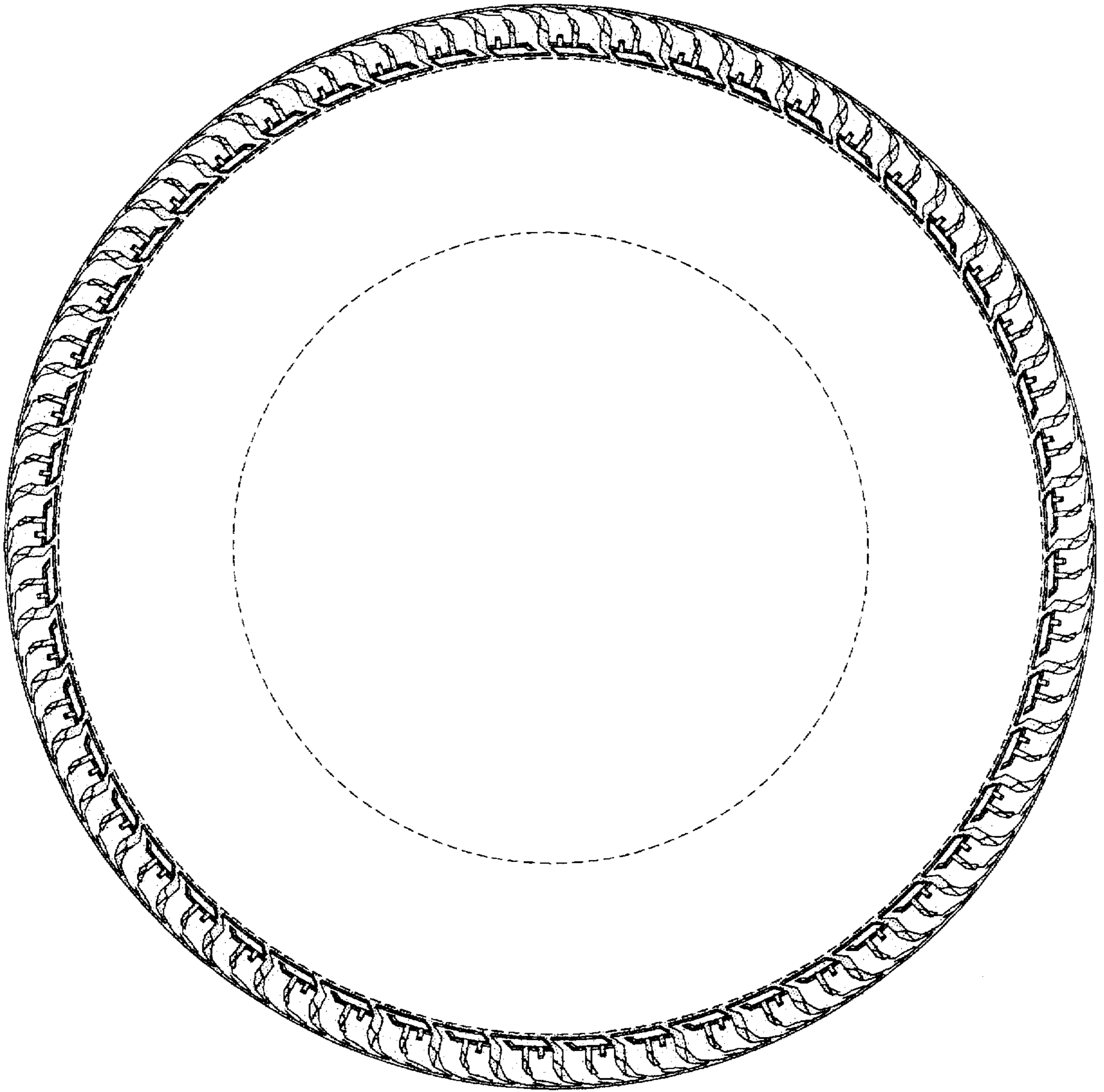


FIG-3

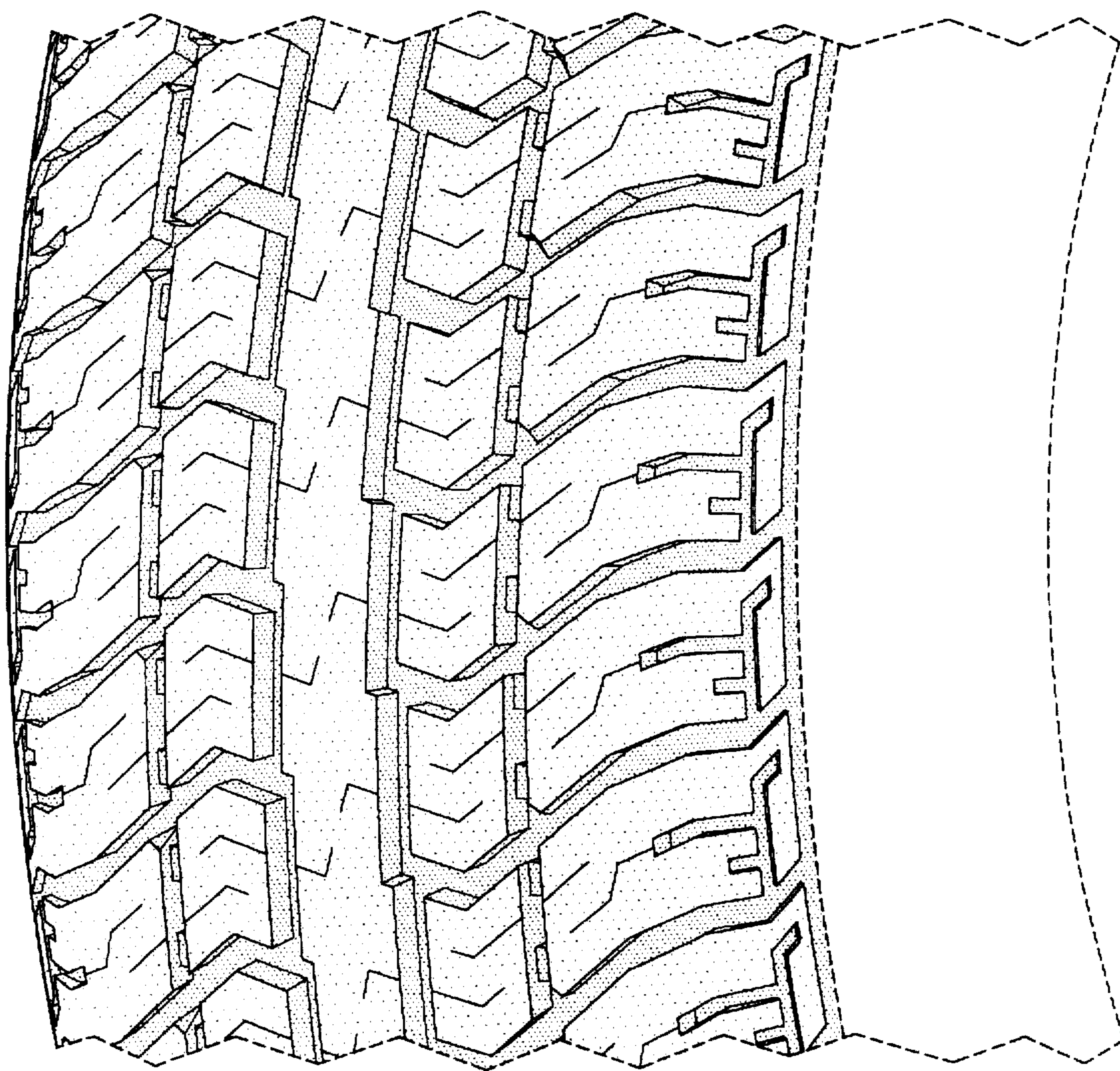


FIG-4