



US00D397642S

United States Patent [19]
Tolefson

[11] **Patent Number:** **Des. 397,642**
[45] **Date of Patent:** ****Sep. 1, 1998**

[54] **LIGHT SUPPORT FOR REAR OF MOTORCYCLE**
[76] **Inventor:** **Donald C. Tolefson**, 7502 Creeks End Rd., Gloucester, Va. 23061
[**] **Term:** **14 Years**

4,099,222	7/1978	Cornell	362/72
4,309,741	1/1982	Smith	362/72
4,598,339	7/1986	Ainsworth	362/72
4,860,177	8/1989	Simms	362/72
4,925,236	5/1990	Itoh et al.	296/180.1 X
5,236,242	8/1993	Seeman	296/180.1

Primary Examiner—Melody N. Brown
Attorney, Agent, or Firm—John F. Carroll IV

[21] **Appl. No.:** **69,901**
[22] **Filed:** **Apr. 3, 1997**

[57] **CLAIM**

[51] **LOC (6) Cl.** **12-11**
[52] **U.S. Cl.** **D12/114; D12/223; D26/28**
[58] **Field of Search** **D12/114, 223, D12/181, 110, 406; 280/288.4; 296/180.1, 63; 297/195.1, 195.12, 215.1, 215.11, 243; 362/72, 61, 211, 80; D26/28-36**

The ornamental design for a light support for rear of motorcycle, as shown.

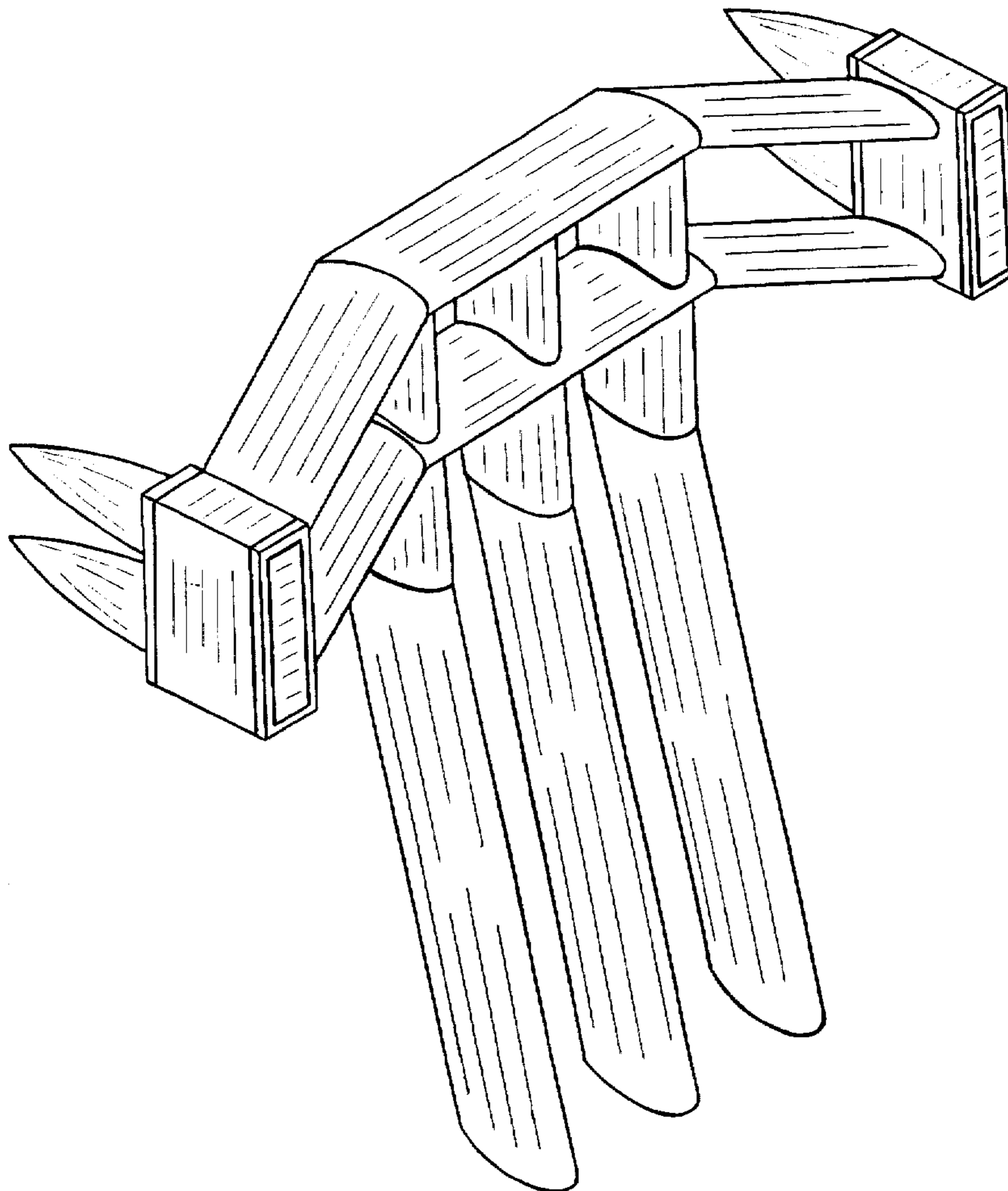
DESCRIPTION

FIG. 1 is a perspective view of a light support for rear of motorcycle showing my new design; and, FIG. 2 is a front elevational view thereof; and, FIG. 3 is a rear elevational view thereof and, FIG. 4 is a top plan view thereof; and, FIG. 5 is a bottom plan view thereof; and, FIG. 6 is a right elevational view showing my new design, the opposite being a mirror image thereof.

[56] **References Cited**
U.S. PATENT DOCUMENTS

D. 376,338	12/1996	Tolefson	D12/114
D. 382,245	8/1997	Bedrosian et al.	D12/223
4,051,361	9/1977	Lichon	280/288.4
4,085,317	4/1978	Mithoff	362/72

1 Claim, 6 Drawing Sheets



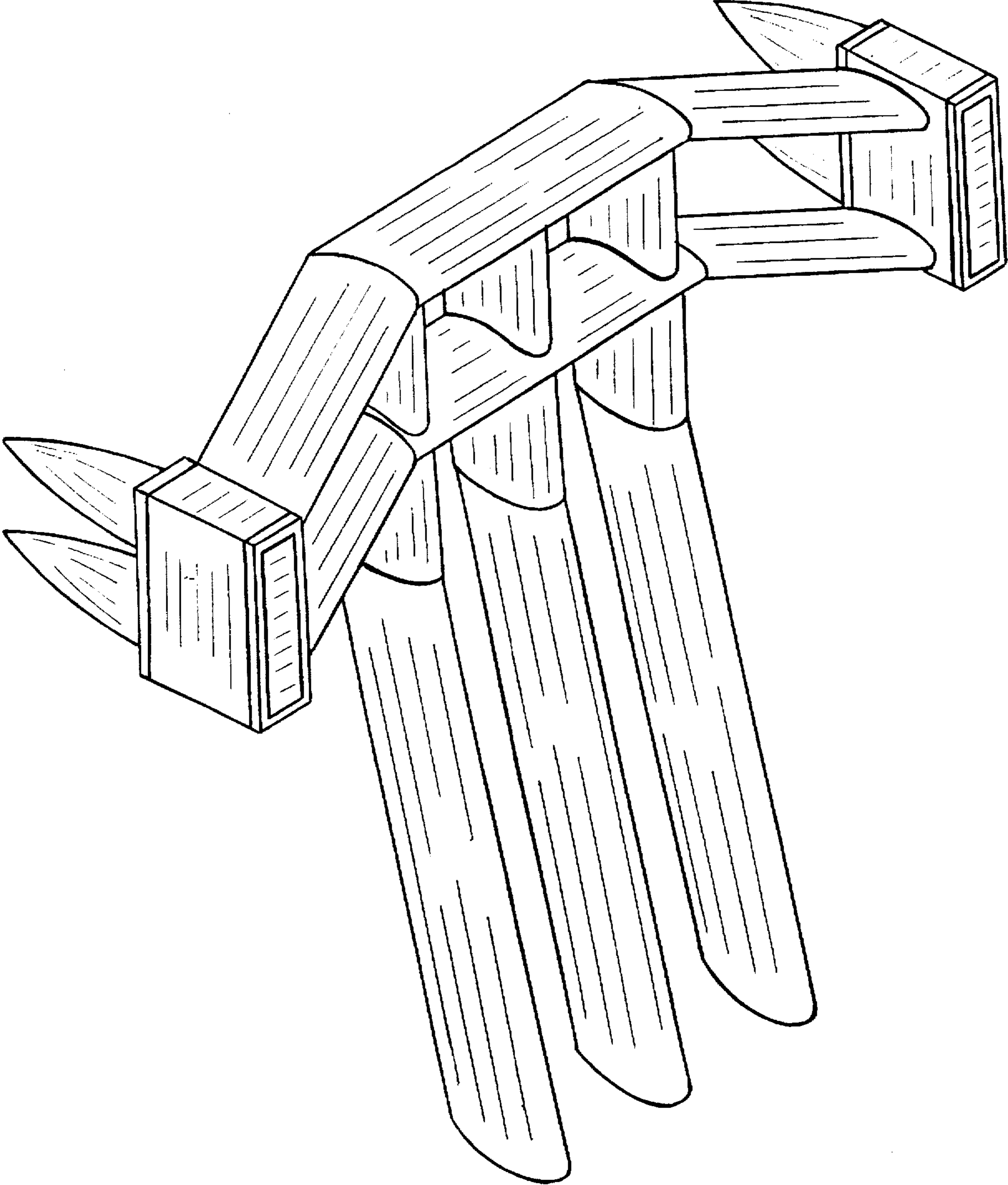


FIG 1

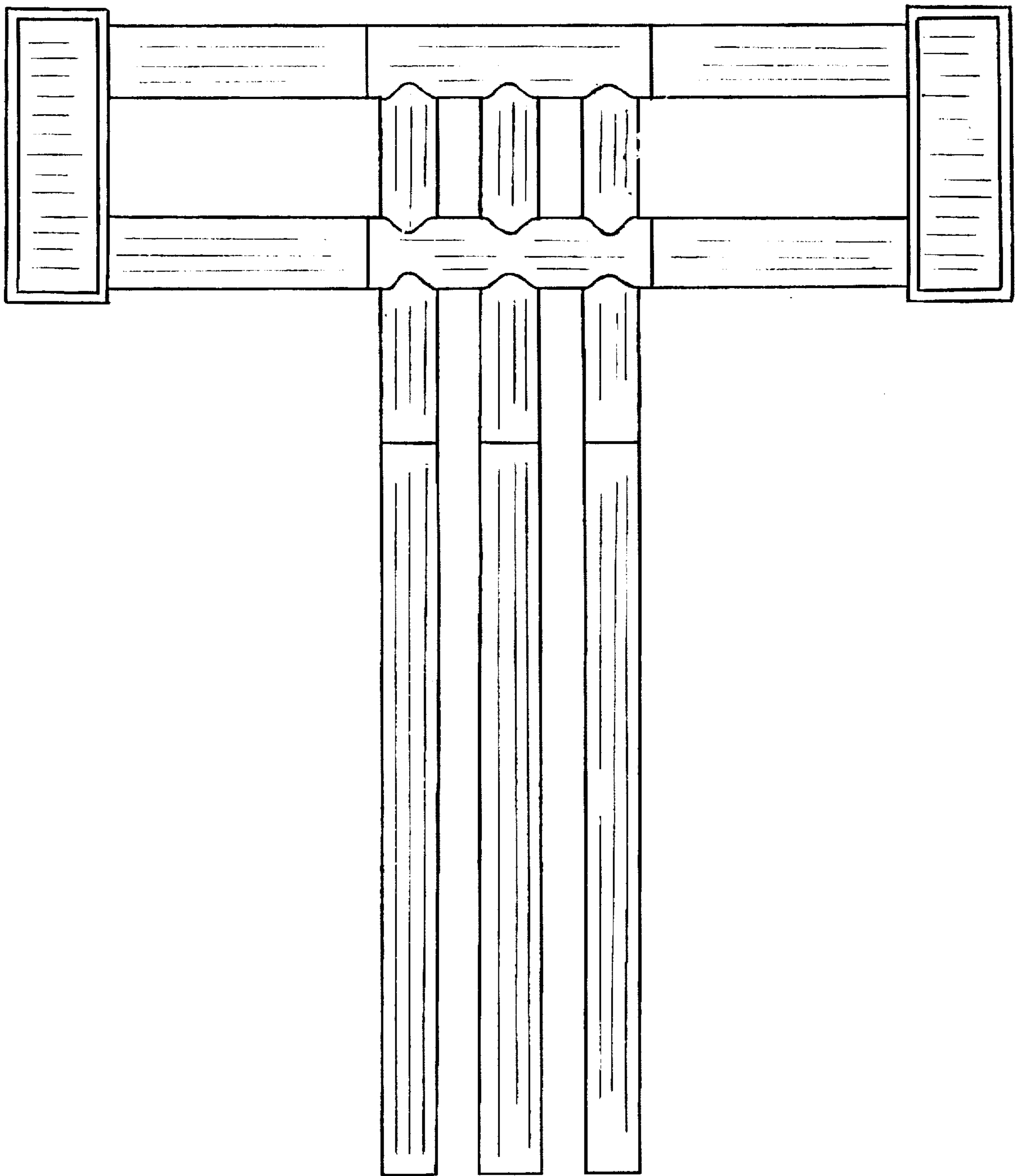


FIG 2

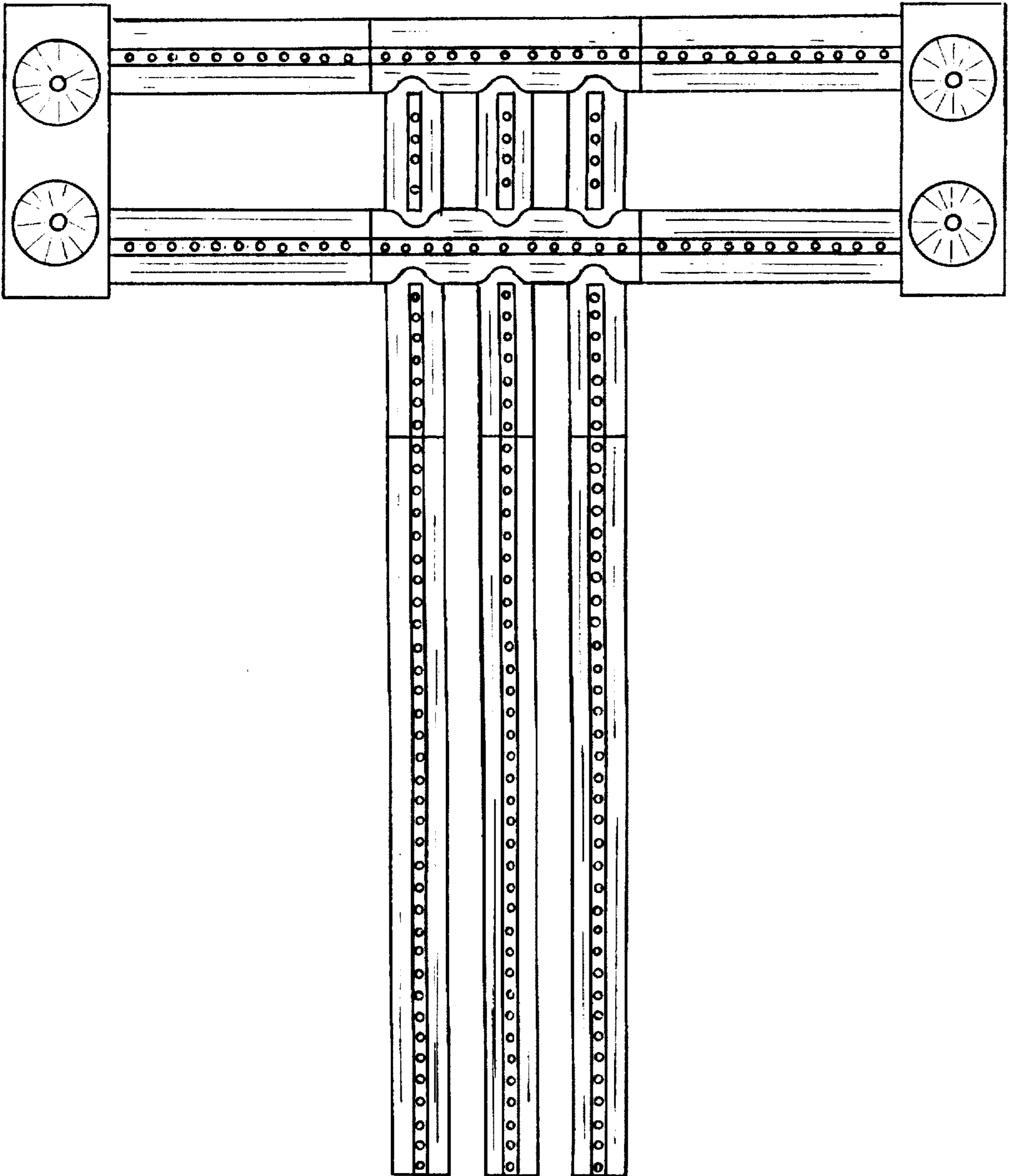


FIG 3

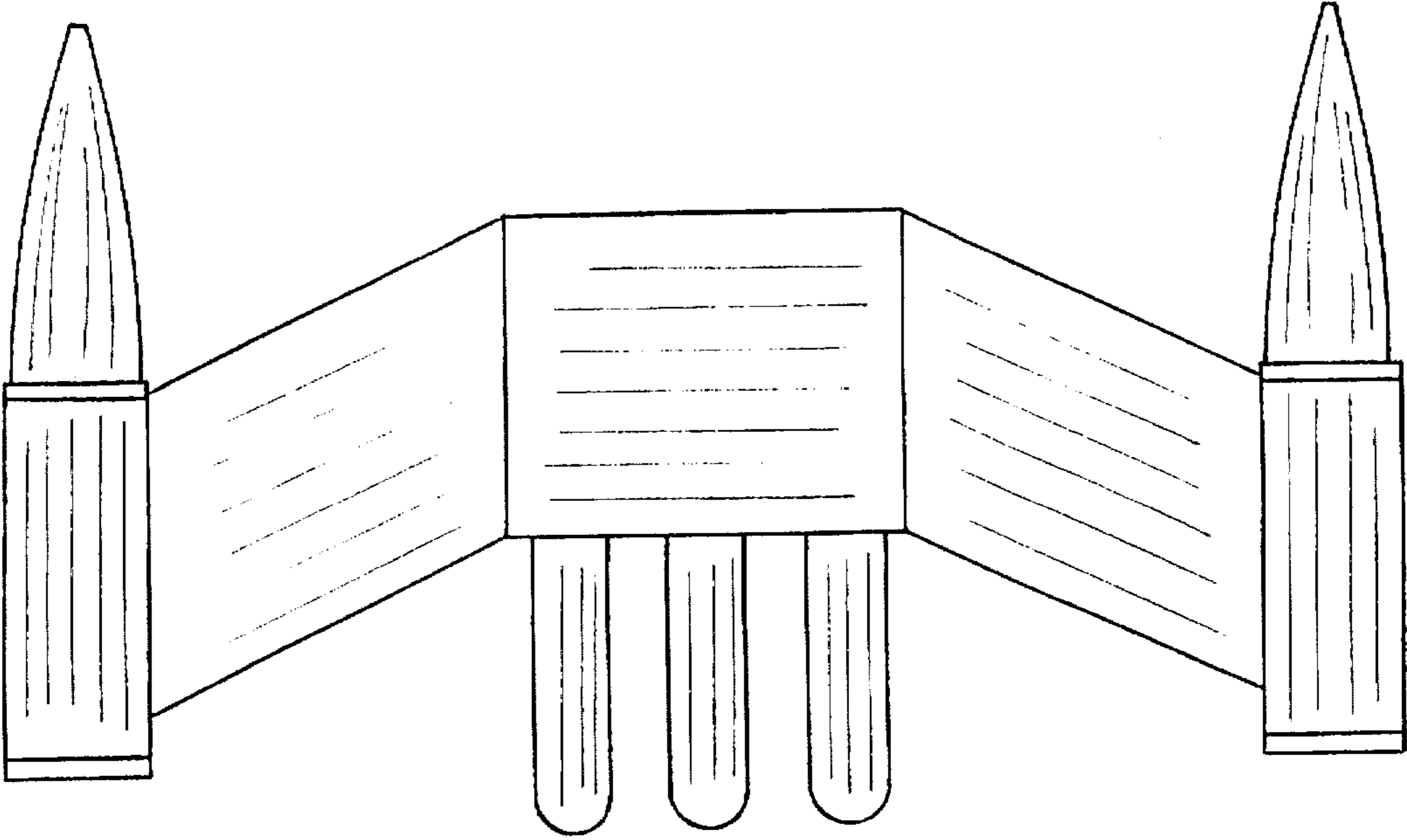


FIG 4

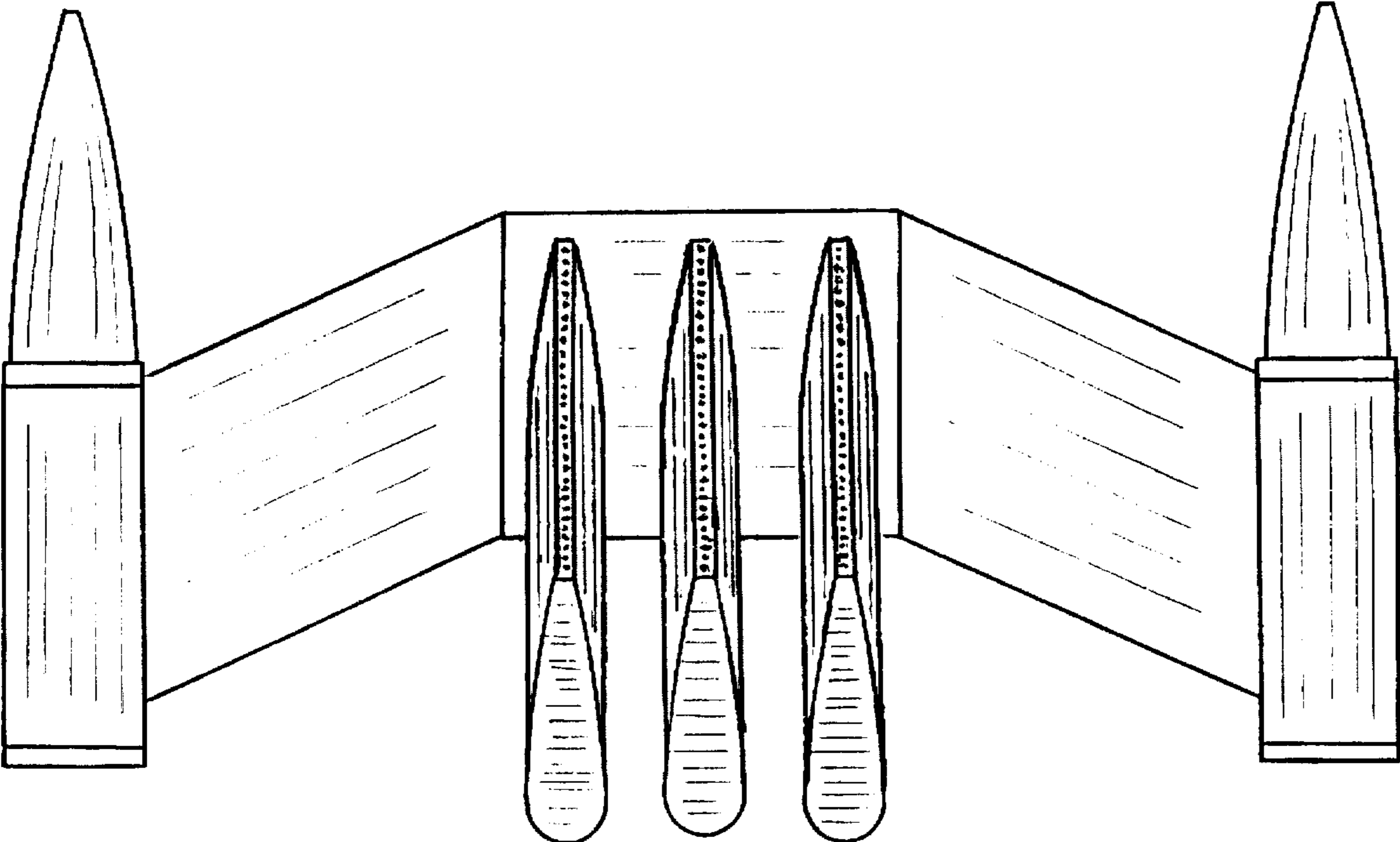


FIG 5

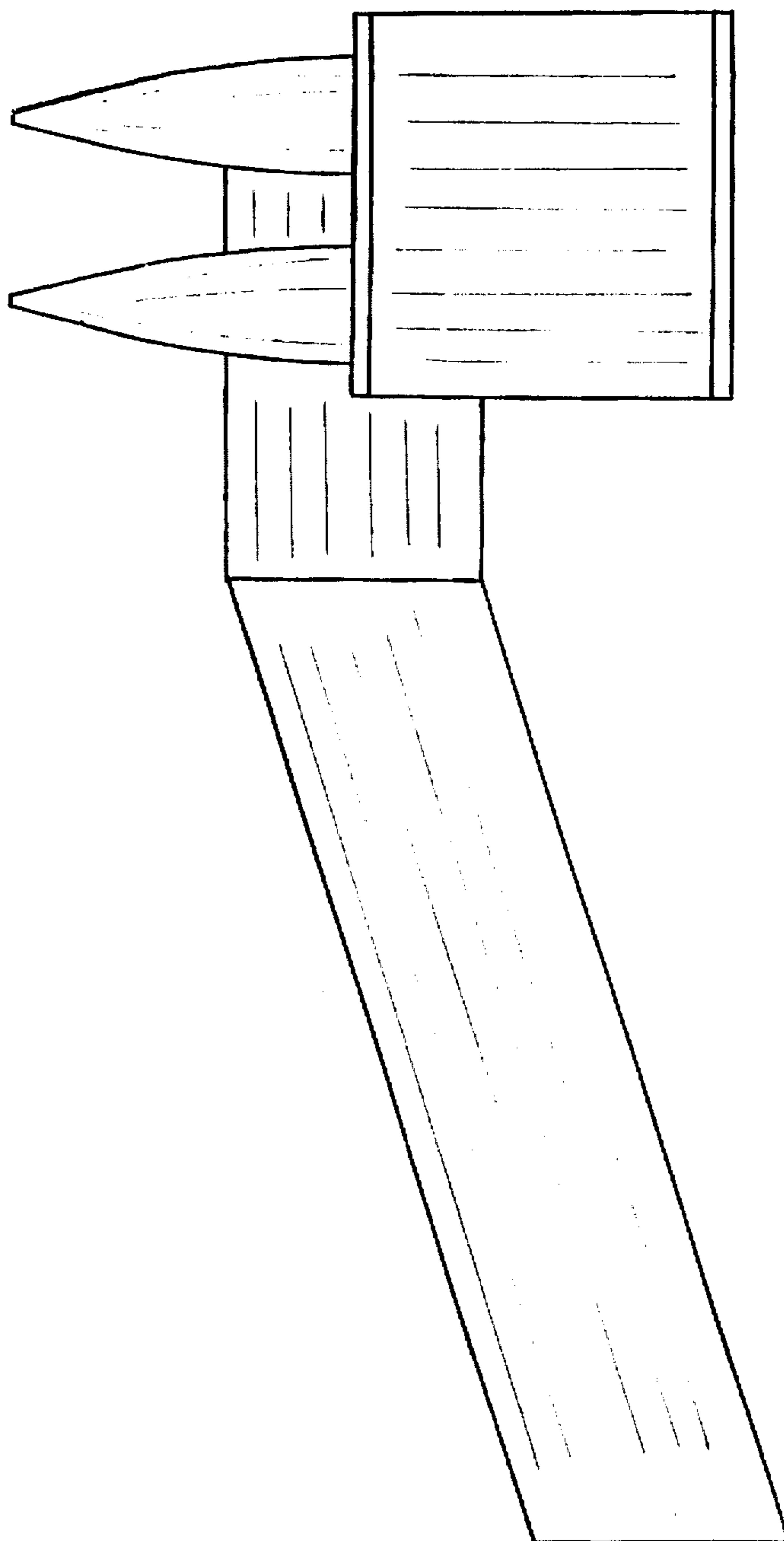


FIG 6