



US00D397641S

# United States Patent [19]

Hamilton et al.

[11] Patent Number: **Des. 397,641**

[45] Date of Patent: **\*\*Sep. 1, 1998**

[54] **ATTACHMENT ARMS OF A SLIDE RELEASE BUCKLE**

[75] Inventors: **Jeffrey R. Hamilton**, Hoffman Estates; **Steven C. Keller**, Island Lake, both of Ill.

[73] Assignee: **Illinois Tool Works Inc.**, Glenview, Ill.

[\*\*] Term: **14 Years**

[21] Appl. No.: **71,607**

[22] Filed: **Jun. 3, 1997**

[51] LOC (6) Cl. .... **02-07**

[52] U.S. Cl. .... **D11/216**

[58] Field of Search ..... D11/200, 215-218; 24/196, 616, 625, 633 A

[56] **References Cited**

**U.S. PATENT DOCUMENTS**

D. 341,105	11/1993	Lovato	.....	D11/216
D. 349,262	8/1994	Krauss	.....	D11/200
D. 375,919	11/1996	Krauss	.....	D11/216
5,222,279	6/1993	Frano et al.	.....	24/625
5,507,076	4/1996	Anscher	.....	24/616

*Primary Examiner*—Ralf Seifert  
*Attorney, Agent, or Firm*—John P. O'Brien

[57] **CLAIM**

The ornamental design for attachment arms of a slide release buckle, as shown and described.

**DESCRIPTION**

FIG. 1 is a top perspective view of attachment arms of a side release buckle showing my new design, the broken line portion thereof is for illustrative purposes only and forms no part of the claimed design;

FIG. 2 is a side elevational view;

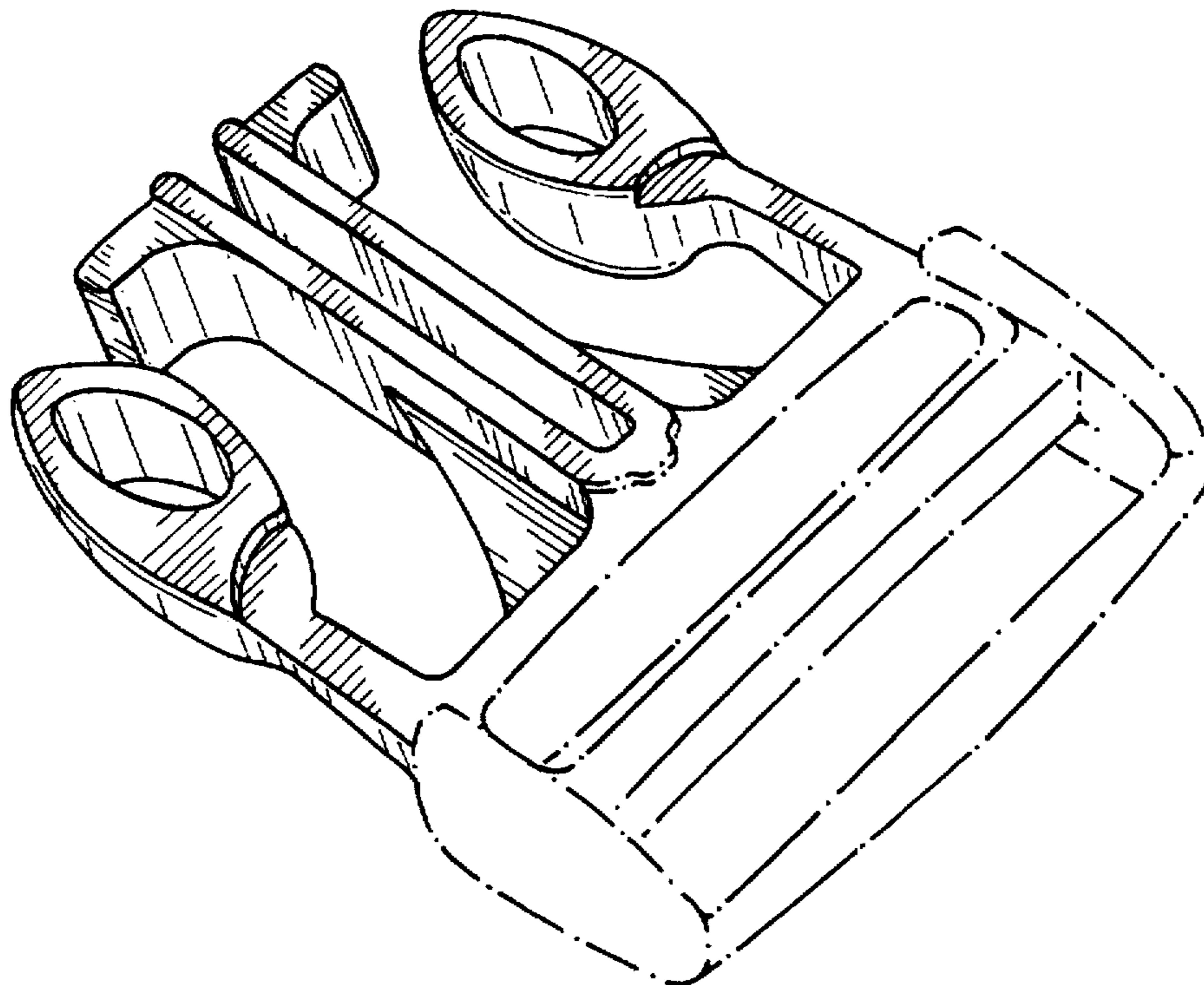
FIG. 3 is a front elevational view;

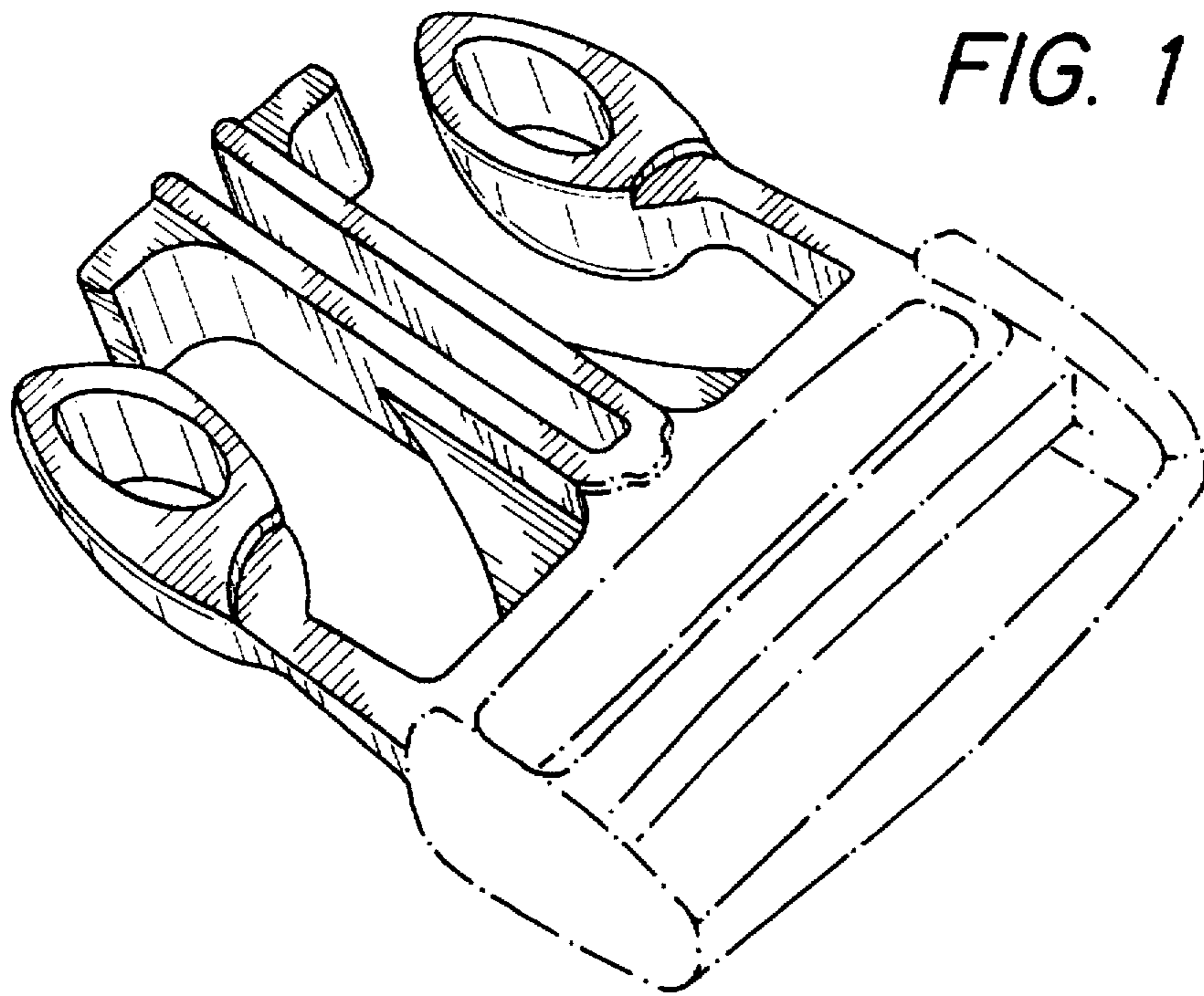
FIG. 4 is a top plan view, the opposite side view being identical; and,

FIG. 5 is a top perspective view of attachment arms of a side release buckle, the broken line showing of a female socket is for illustrative purposes only and forms no part of the claimed design.

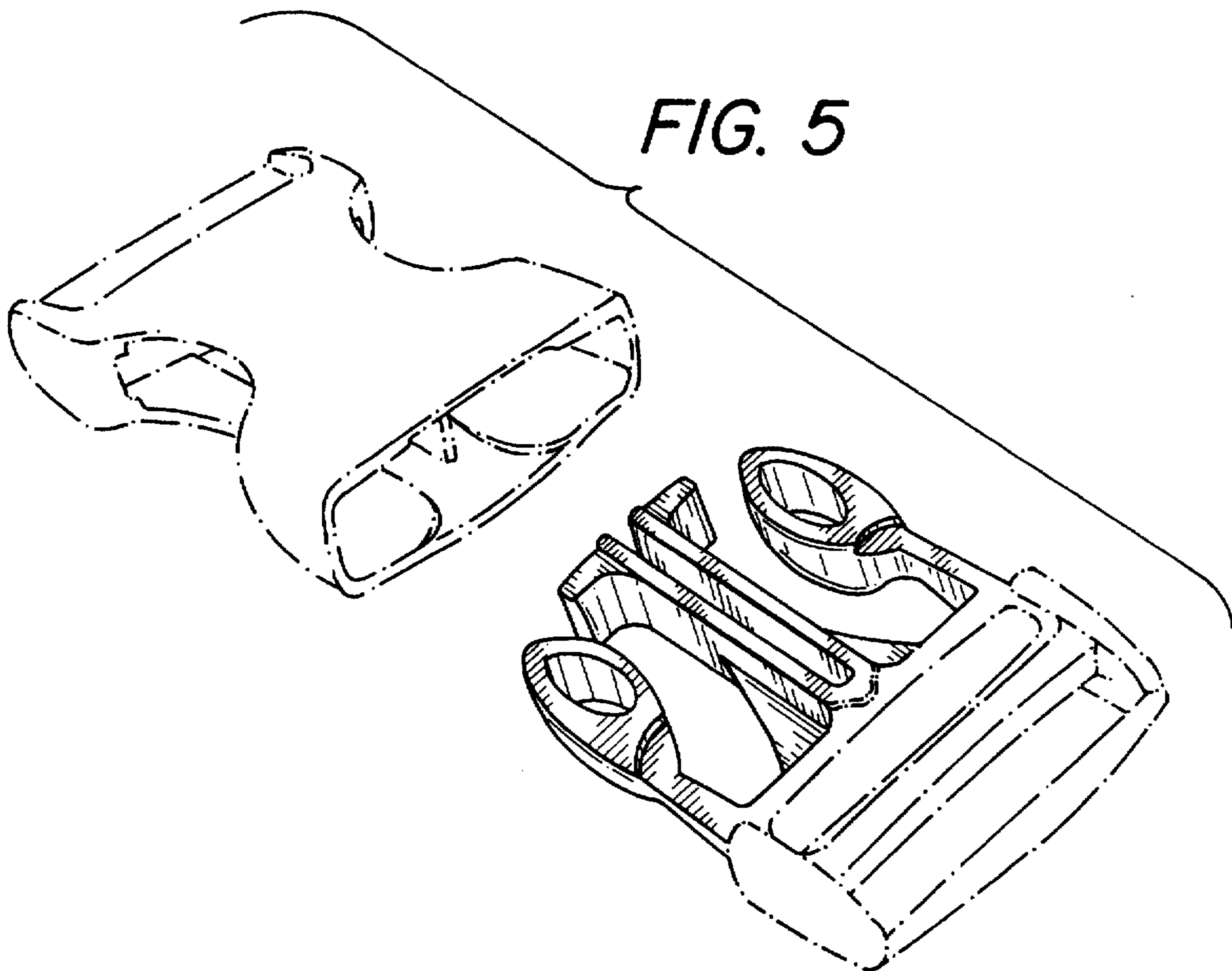
The broken line showing of a corresponding female buckle, in FIGS. 1 through 5, is for illustrative purposes only and forms no part of the claimed design.

**1 Claim, 2 Drawing Sheets**





*FIG. 1*



*FIG. 5*

FIG. 2

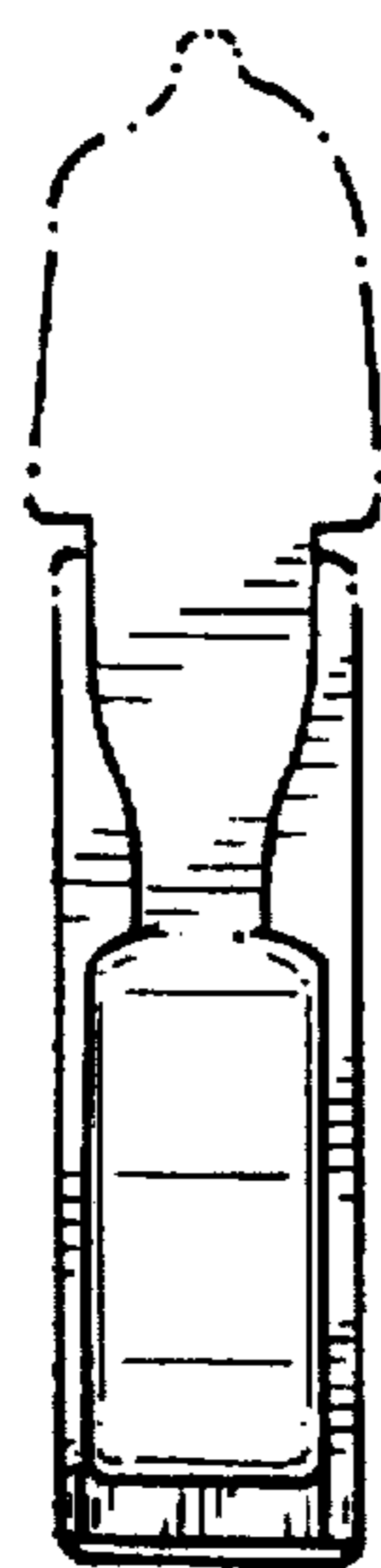


FIG. 4

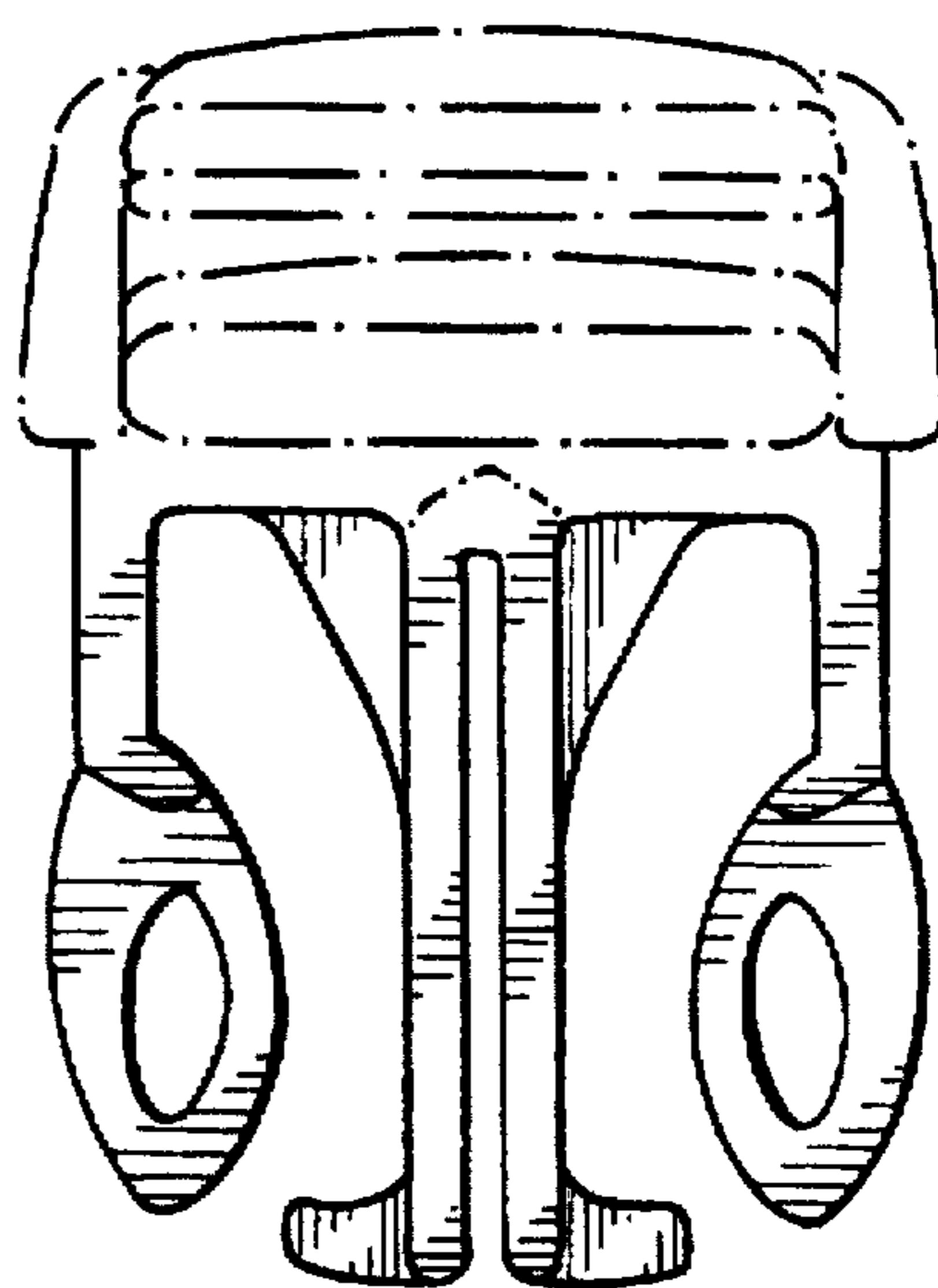


FIG. 3

