



US00D397636S

United States Patent [19] Chu

[11] Patent Number: **Des. 397,636**
[45] Date of Patent: ****Sep. 1, 1998**

[54] **SIREN SPEAKER**

[75] Inventor: **Charles Chu, Taipei Hsien, Taiwan**

[73] Assignee: **Portman Security System International Co., Ltd., Taipei Hsien, Taiwan**

[**] Term: **14 Years**

[21] Appl. No.: **68,856**

[22] Filed: **Apr. 2, 1997**

[51] LOC (6) Cl. **10-06**

[52] U.S. Cl. **D10/120**

[58] Field of Search **D10/104, 116, D10/119, 120, 121; 340/384.1, 384.3, 384.7, 388.1, 390.1, 391.1, 392.2, 392.4**

[56] **References Cited**

U.S. PATENT DOCUMENTS

D. 224,276 7/1972 Kahn D10/120

D. 279,965 8/1985 Mikami D10/120
D. 292,895 11/1987 Hayashi D10/120
D. 313,195 12/1990 Memmola D10/120
D. 345,317 3/1994 Issa D10/120

Primary Examiner—Marcus A. Jackson
Attorney, Agent, or Firm—Jacobson, Price, Holman & Stern, PLLC

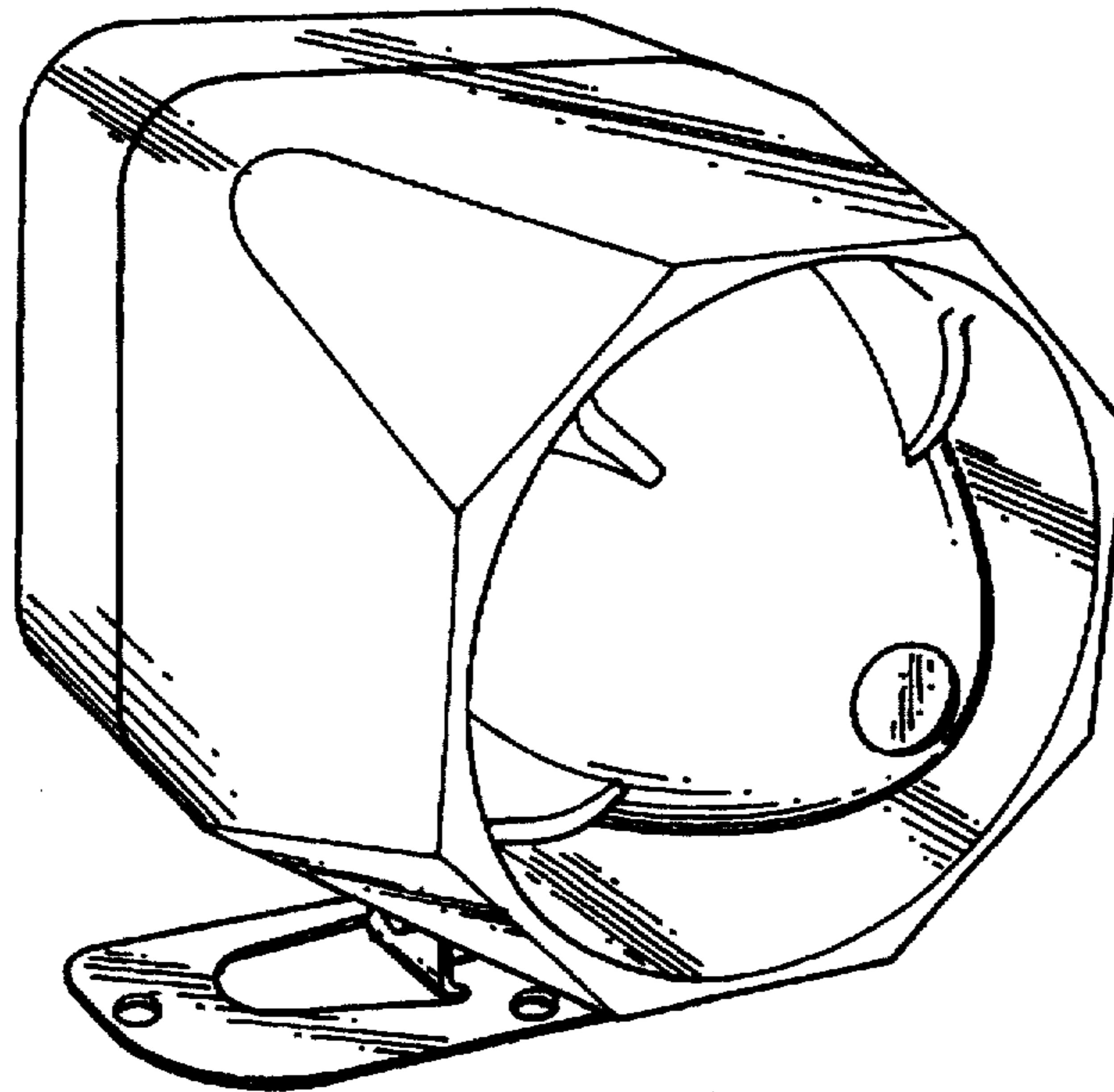
[57] **CLAIM**

The ornamental design for a siren speaker, as shown and described.

DESCRIPTION

FIG. 1 is the perspective view of a siren speaker showing my new design;
FIG. 2 is the front elevational view thereof;
FIG. 3 is the rear elevational view thereof;
FIG. 4 is the left side elevational view thereof;
FIG. 5 is the right side elevational view thereof;
FIG. 6 is the top plan view thereof; and,
FIG. 7 is the bottom plan view thereof.

1 Claim, 3 Drawing Sheets



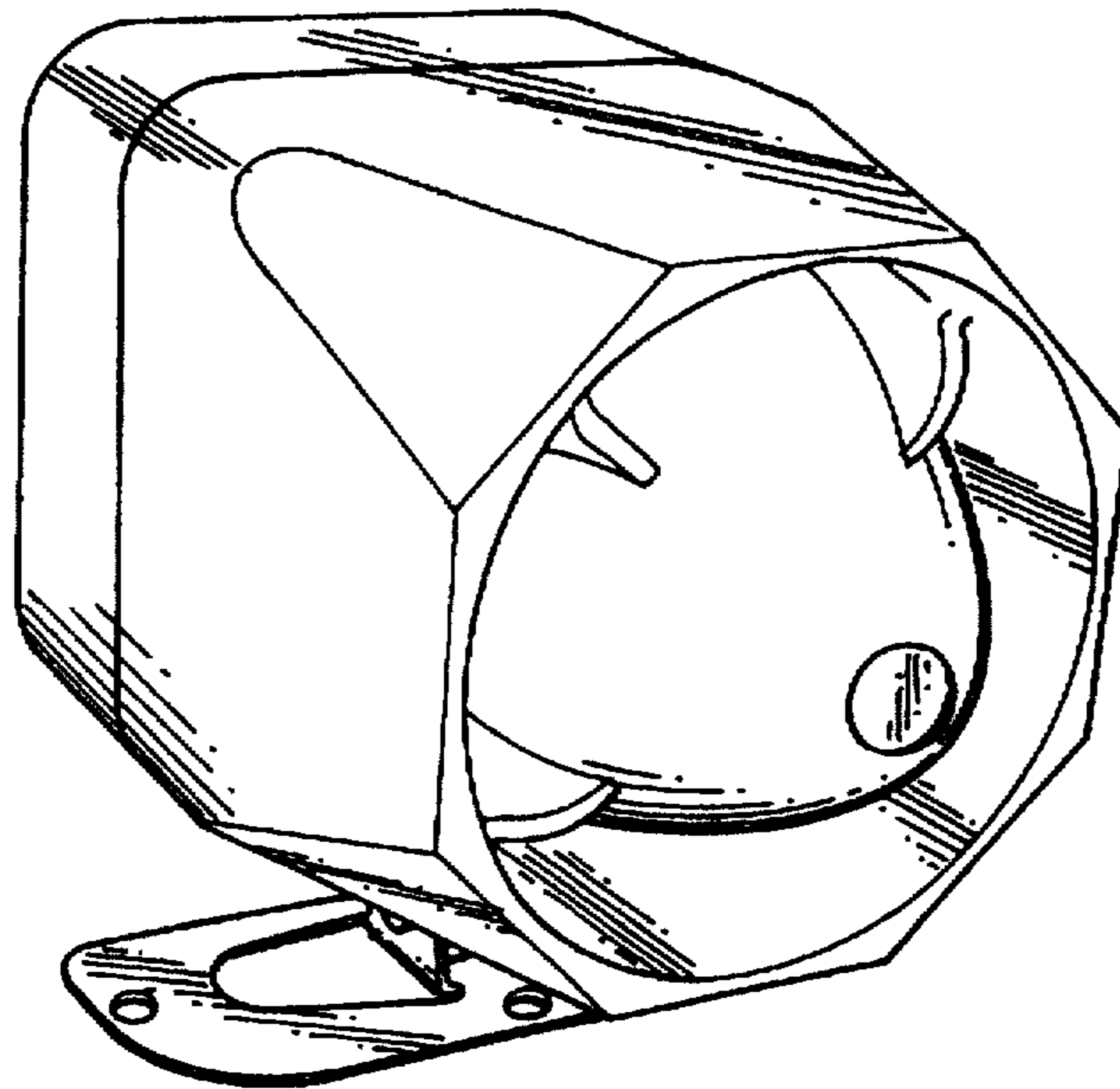


FIG.1

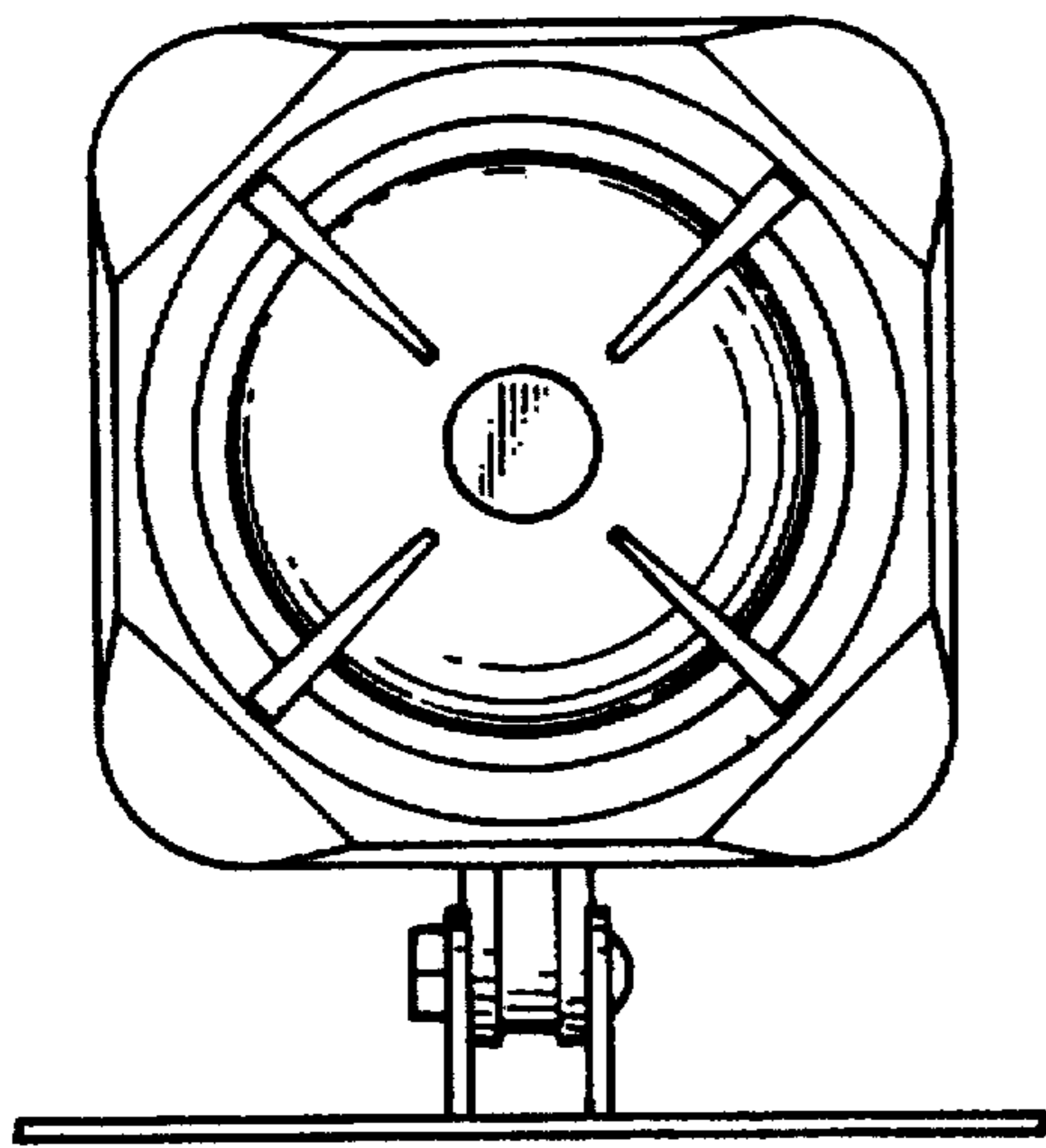


FIG. 2

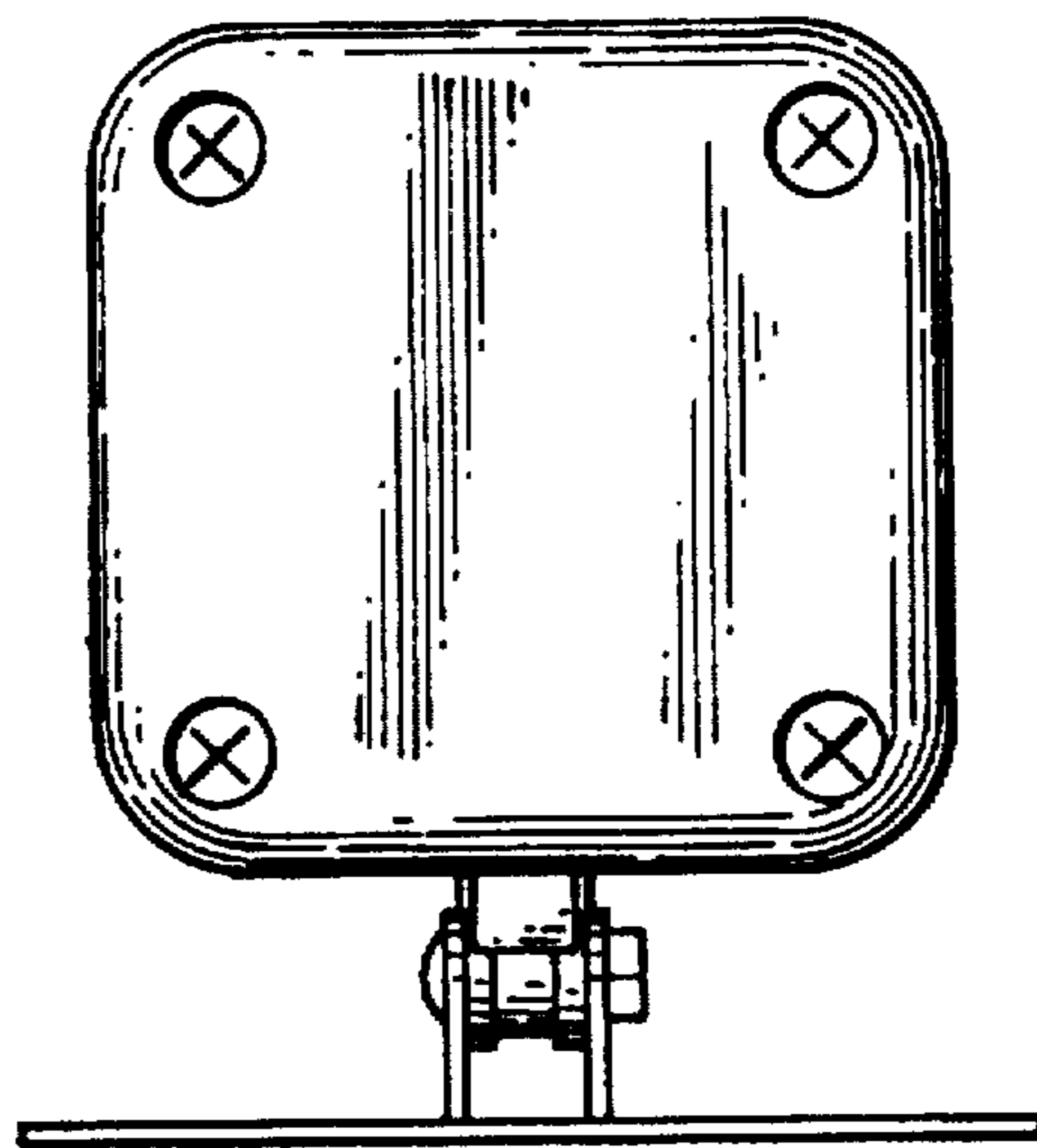


FIG. 3

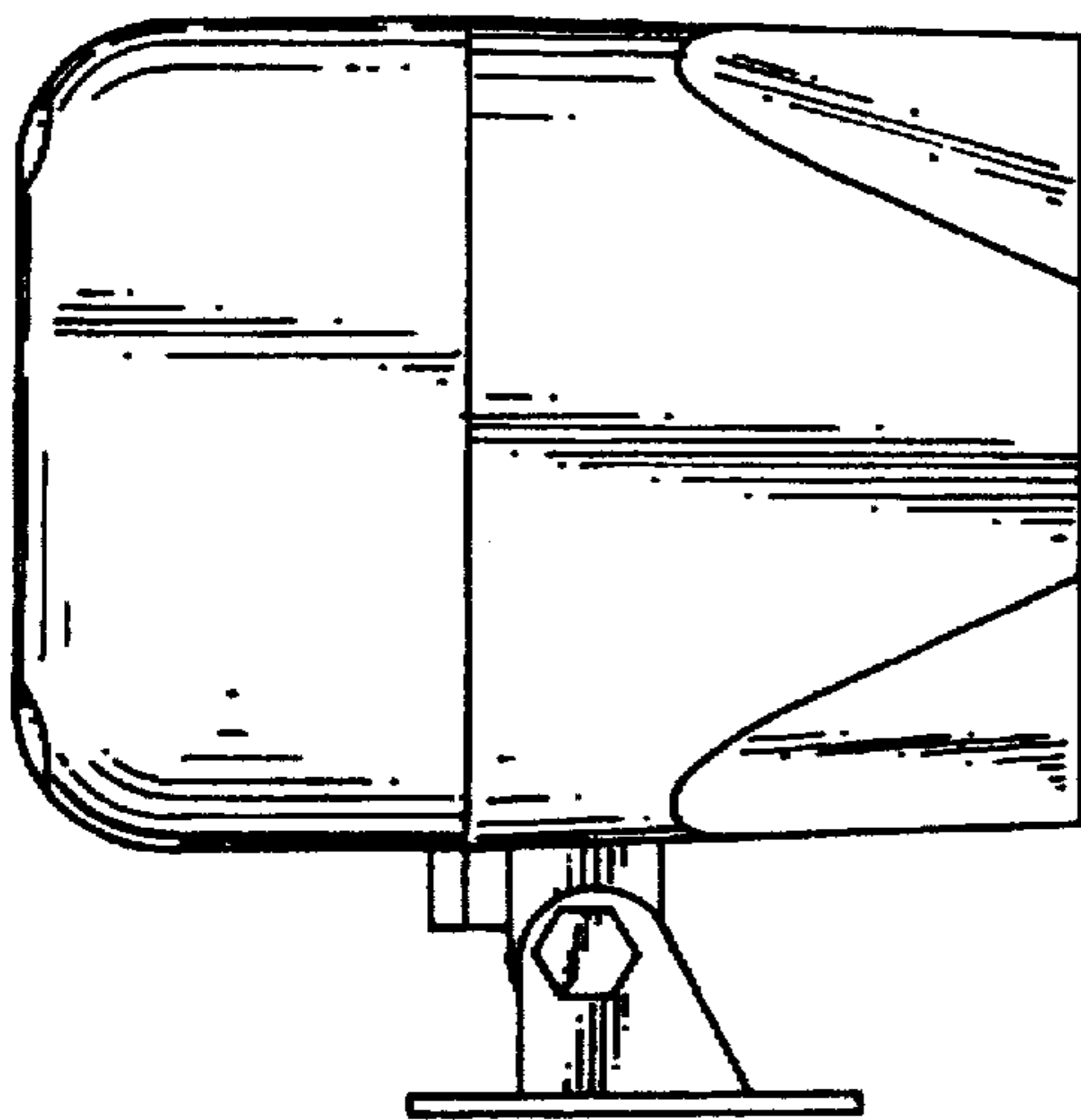


FIG. 4

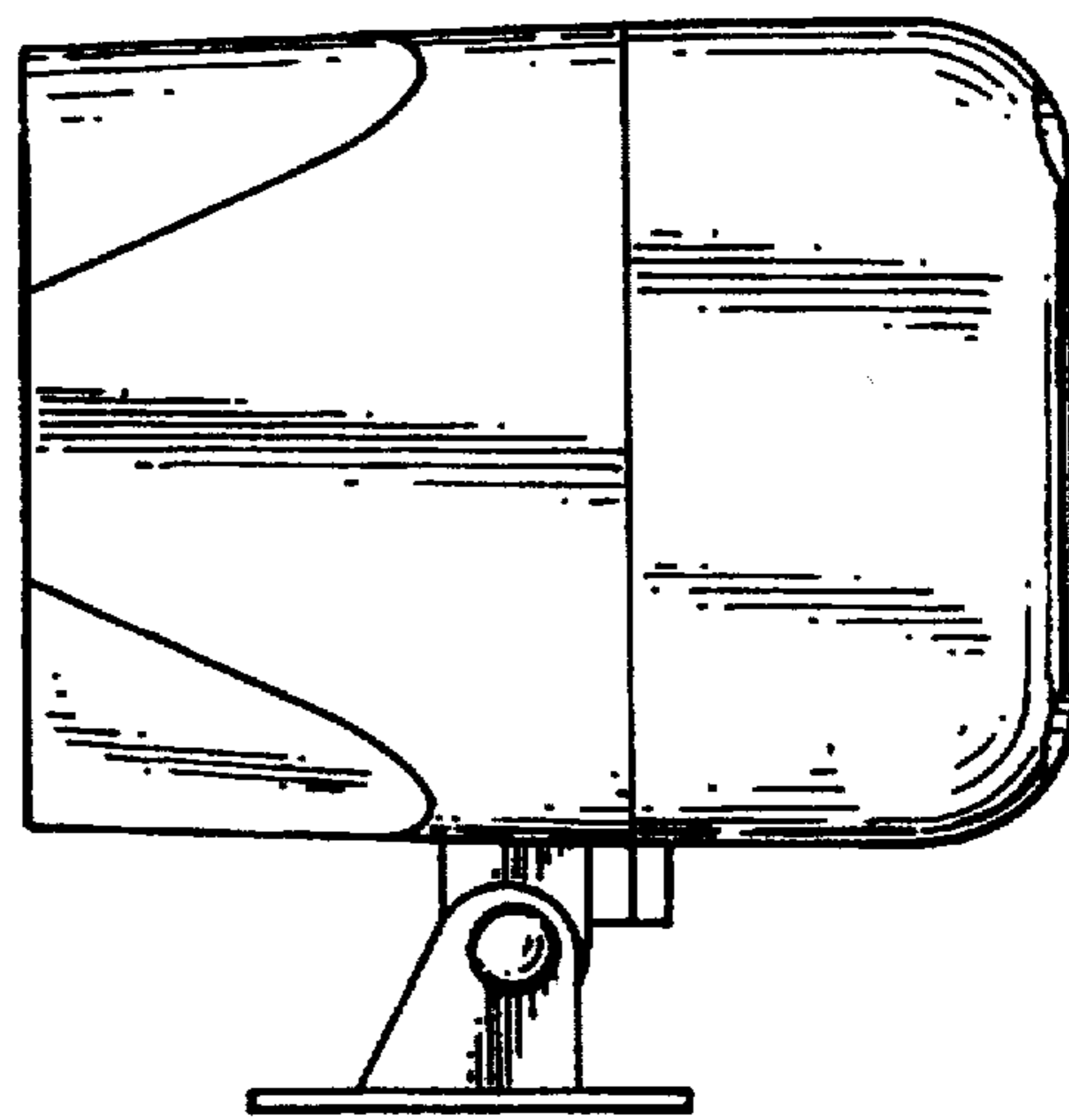


FIG. 5

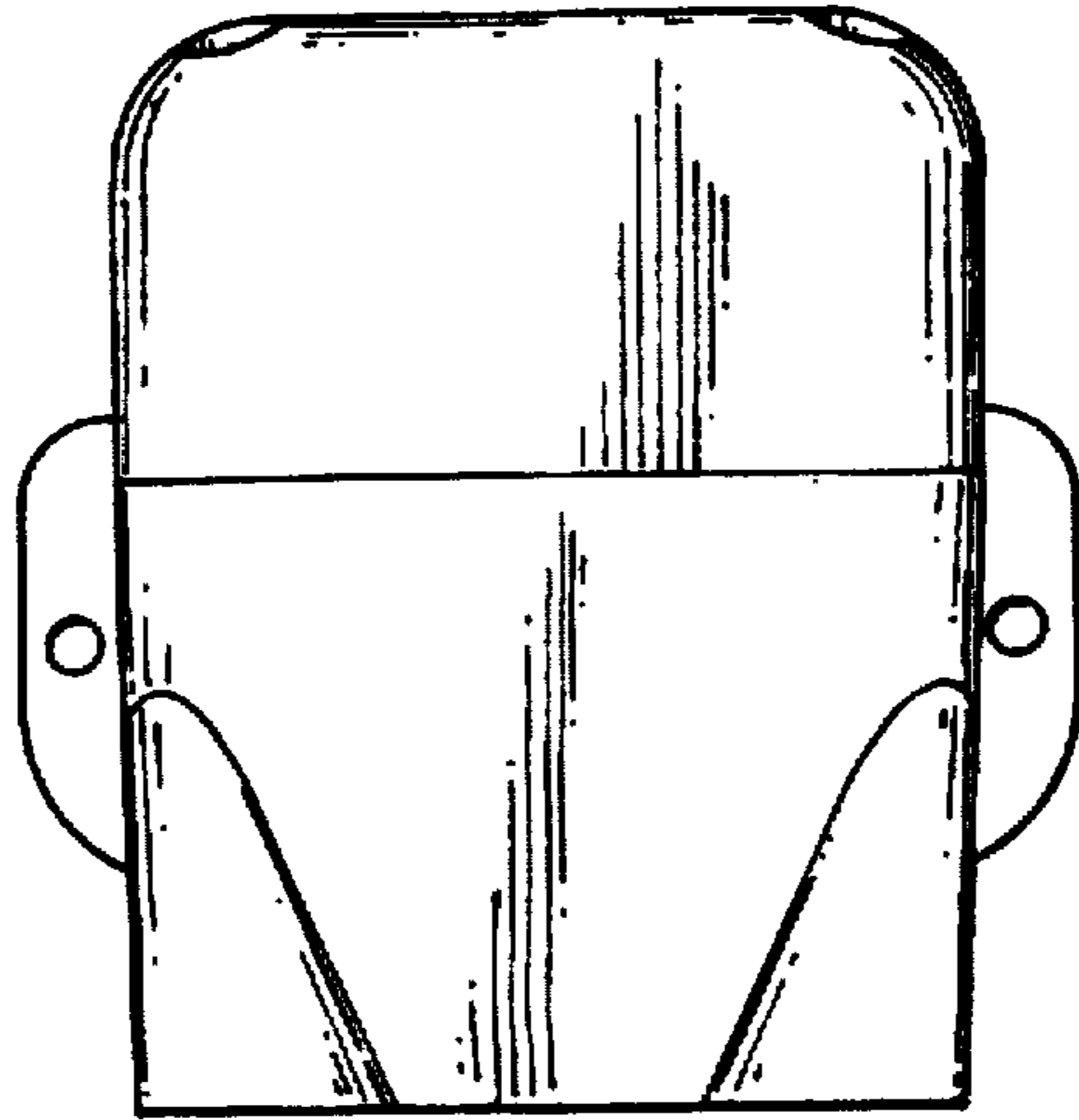


FIG. 6

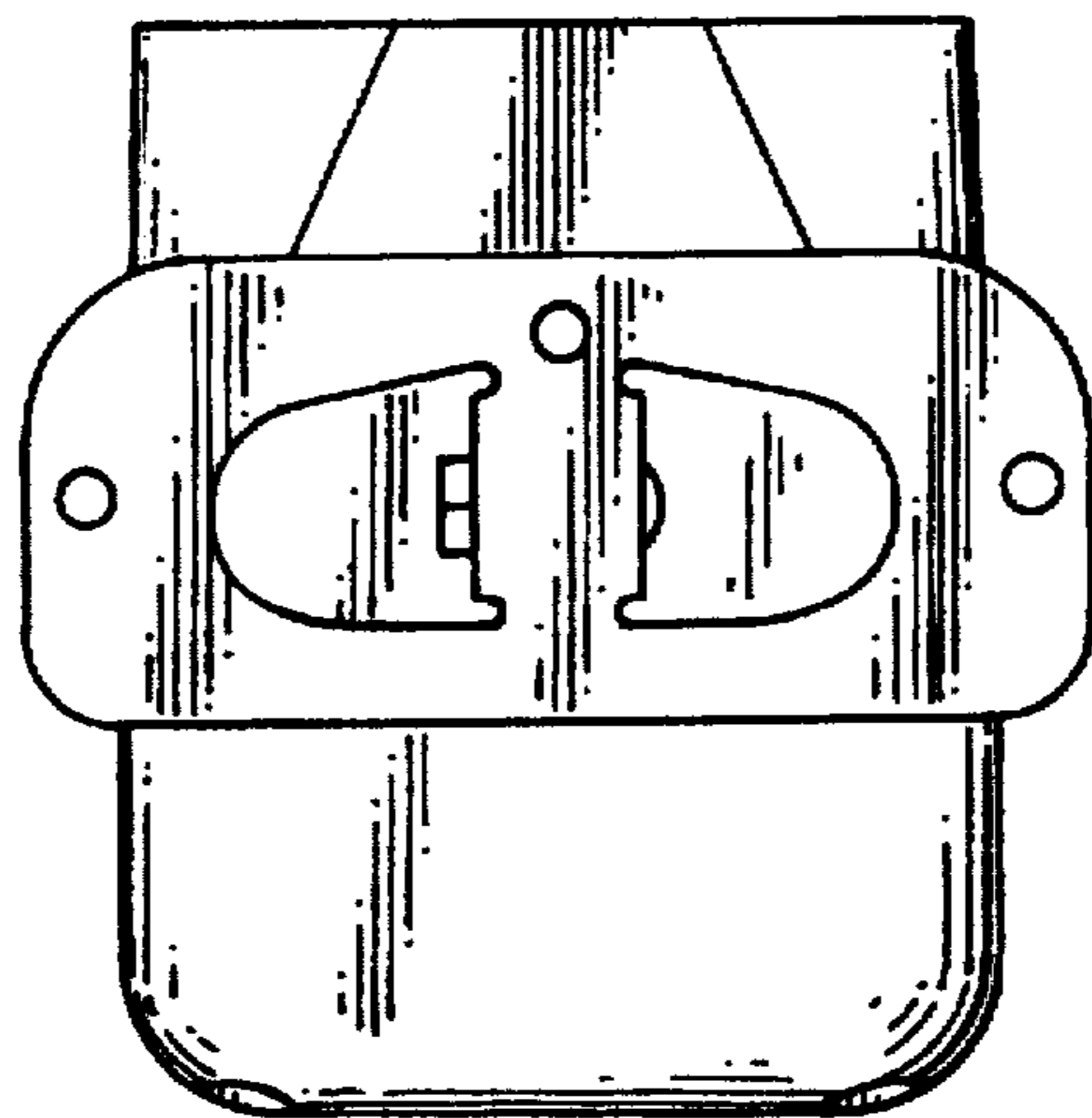


FIG. 7