



US00D397635S

**United States Patent** [19]  
**Chu**

[11] **Patent Number:** **Des. 397,635**  
[45] **Date of Patent:** **\*\*Sep. 1, 1998**

[54] **SIREN SPEAKER**

D. 313,195 12/1990 Memmola ..... D10/120

[75] **Inventor:** **Charles Chu**, Taipei Hsien, Taiwan

*Primary Examiner*—Marcus A. Jackson

[73] **Assignee:** **Portman Security System International Co., Ltd.**, Taipei Hsien, Taiwan

*Attorney, Agent, or Firm*—Jacobson, Price, Holman & Stern, PLLC

[\*\*] **Term:** **14 Years**

[57] **CLAIM**

The ornamental design for a siren speaker, as shown and described.

[21] **Appl. No.:** **68,855**

**DESCRIPTION**

[22] **Filed:** **Apr. 2, 1997**

FIG. 1 is the perspective view of a siren speaker showing my new design;

[51] **LOC (6) Cl.** ..... **10-06**

FIG. 2 is the front elevational view thereof;

[52] **U.S. Cl.** ..... **D10/120**

FIG. 3 is the rear elevational view thereof;

[58] **Field of Search** ..... D10/104, 116, D10/119, 120, 121; 340/384.1, 384.3, 384.7, 388.1, 390.1, 391.1, 392.2, 392.4

FIG. 4 is the left side elevational view thereof;

FIG. 5 is the right side elevational view thereof;

FIG. 6 is the top plan view thereof; and,

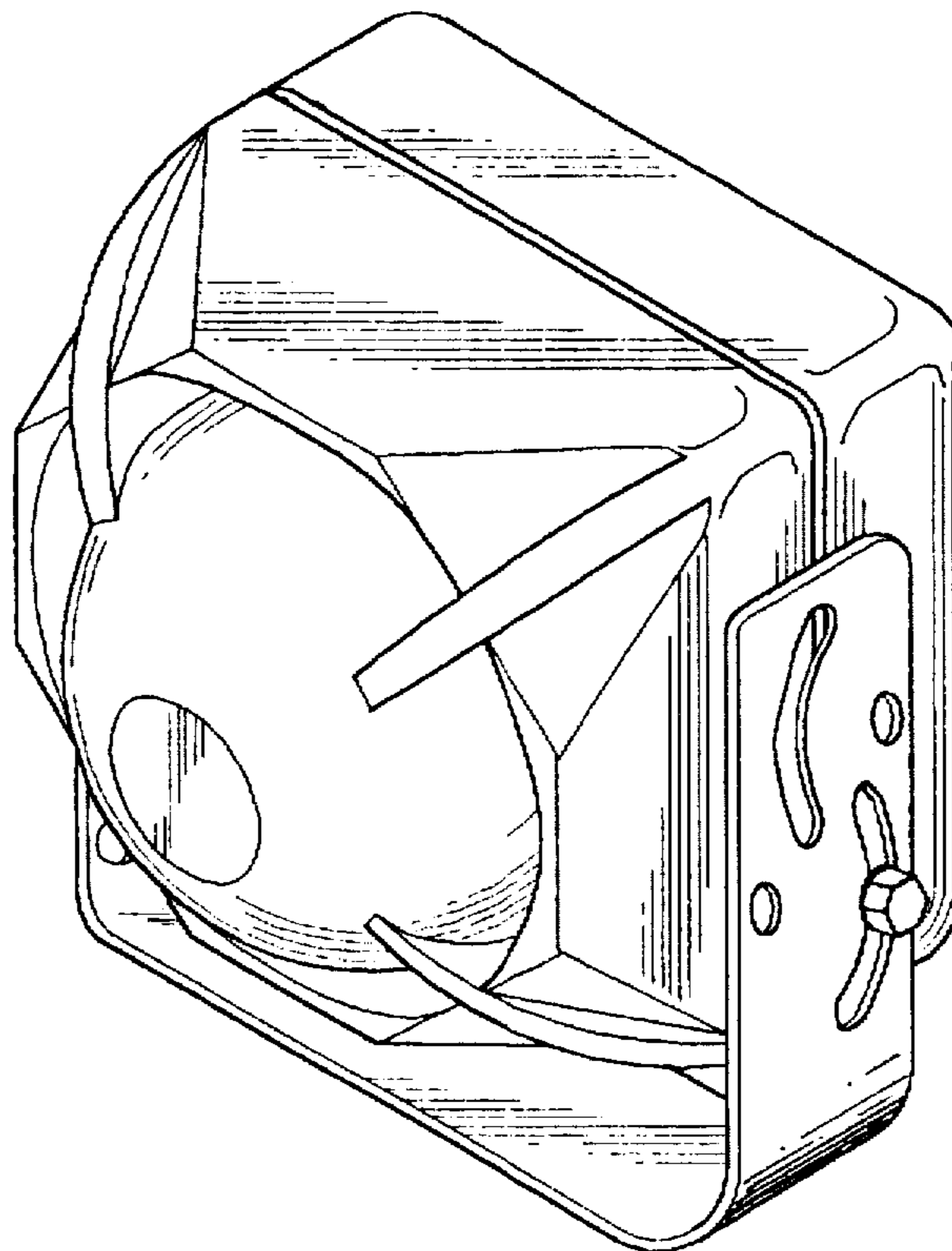
FIG. 7 is the bottom plan view thereof.

[56] **References Cited**

**U.S. PATENT DOCUMENTS**

D. 297,918 10/1988 Kamada ..... D10/120

**1 Claim, 4 Drawing Sheets**



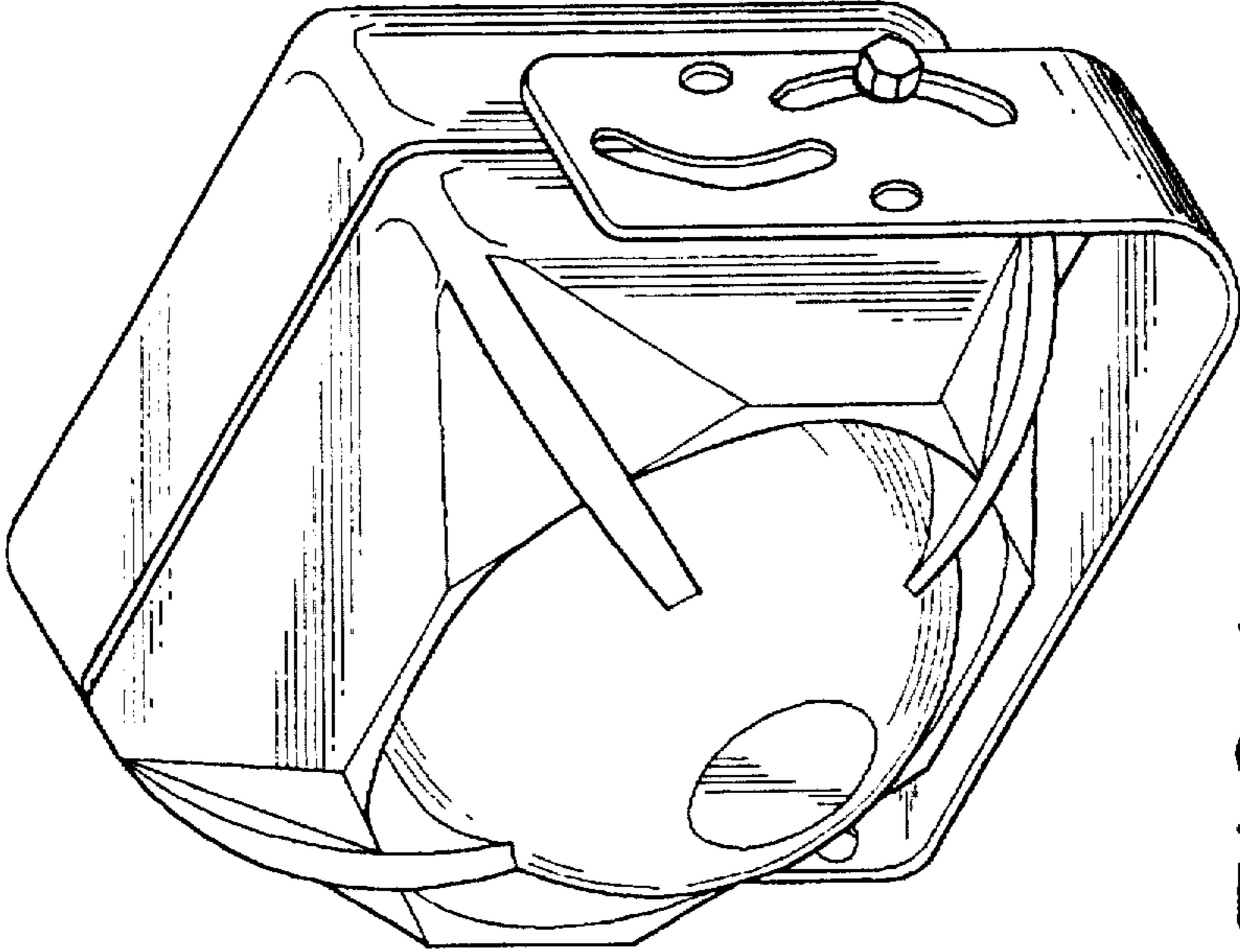


FIG. 1

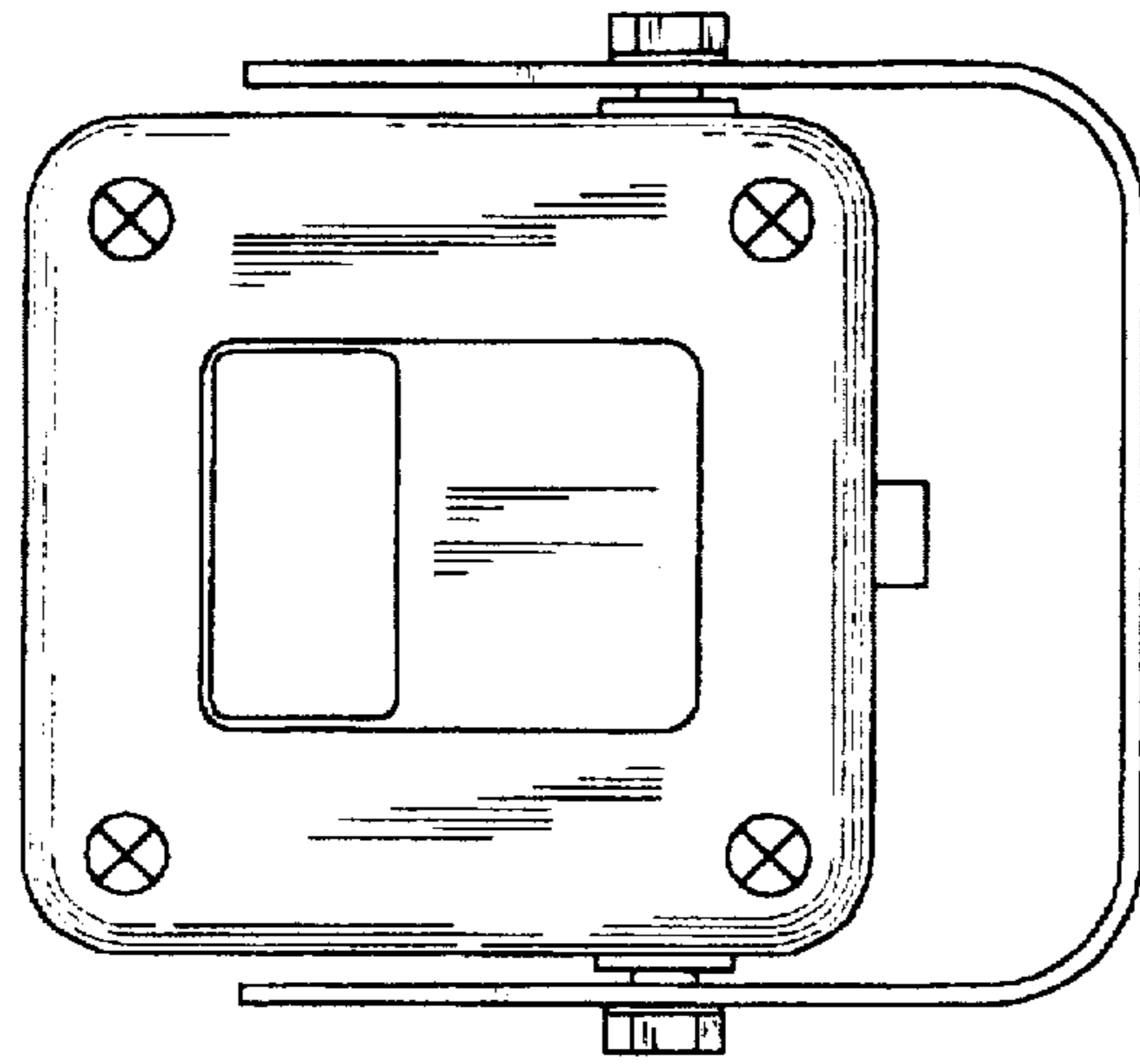


FIG.3

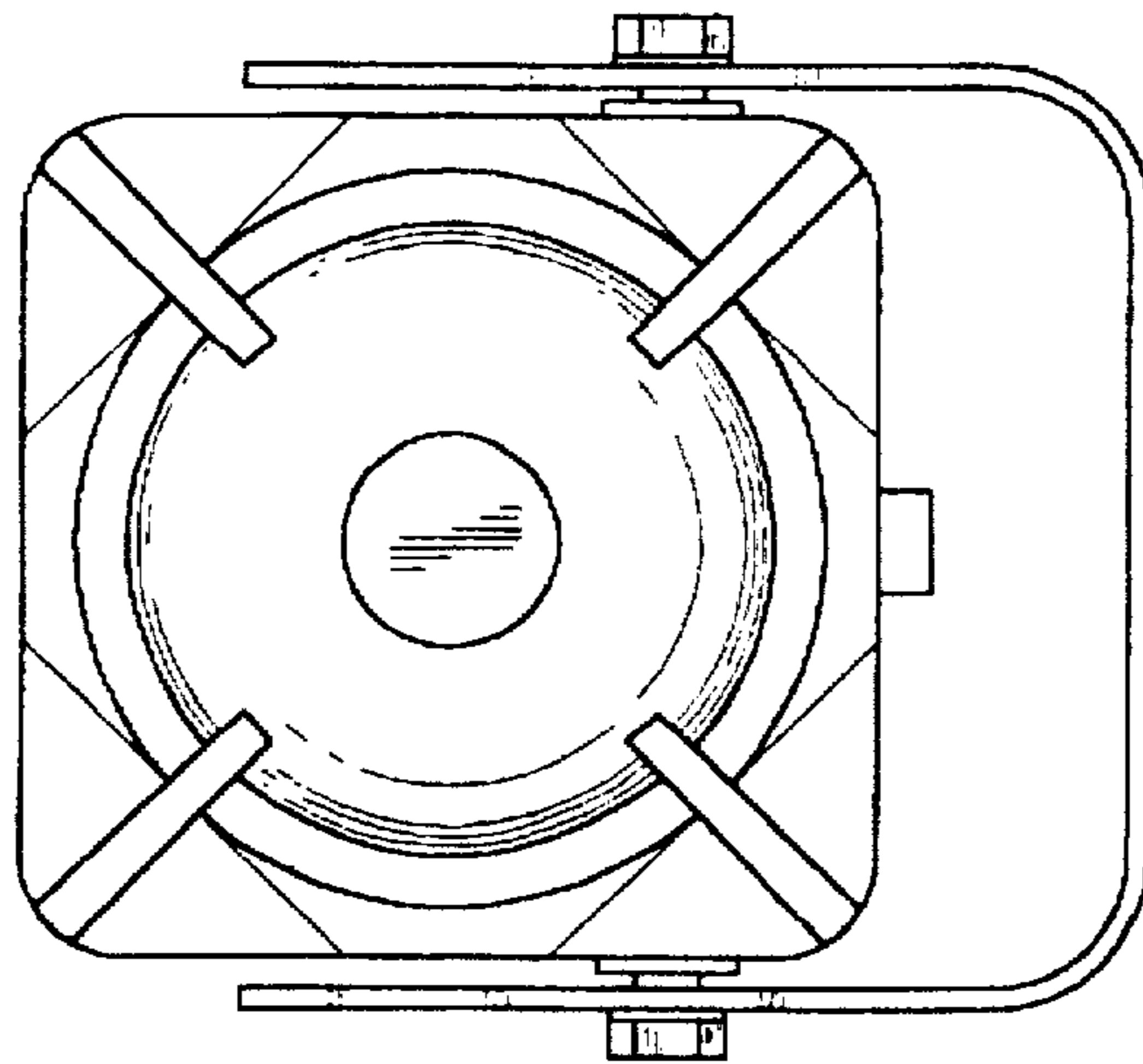


FIG.2

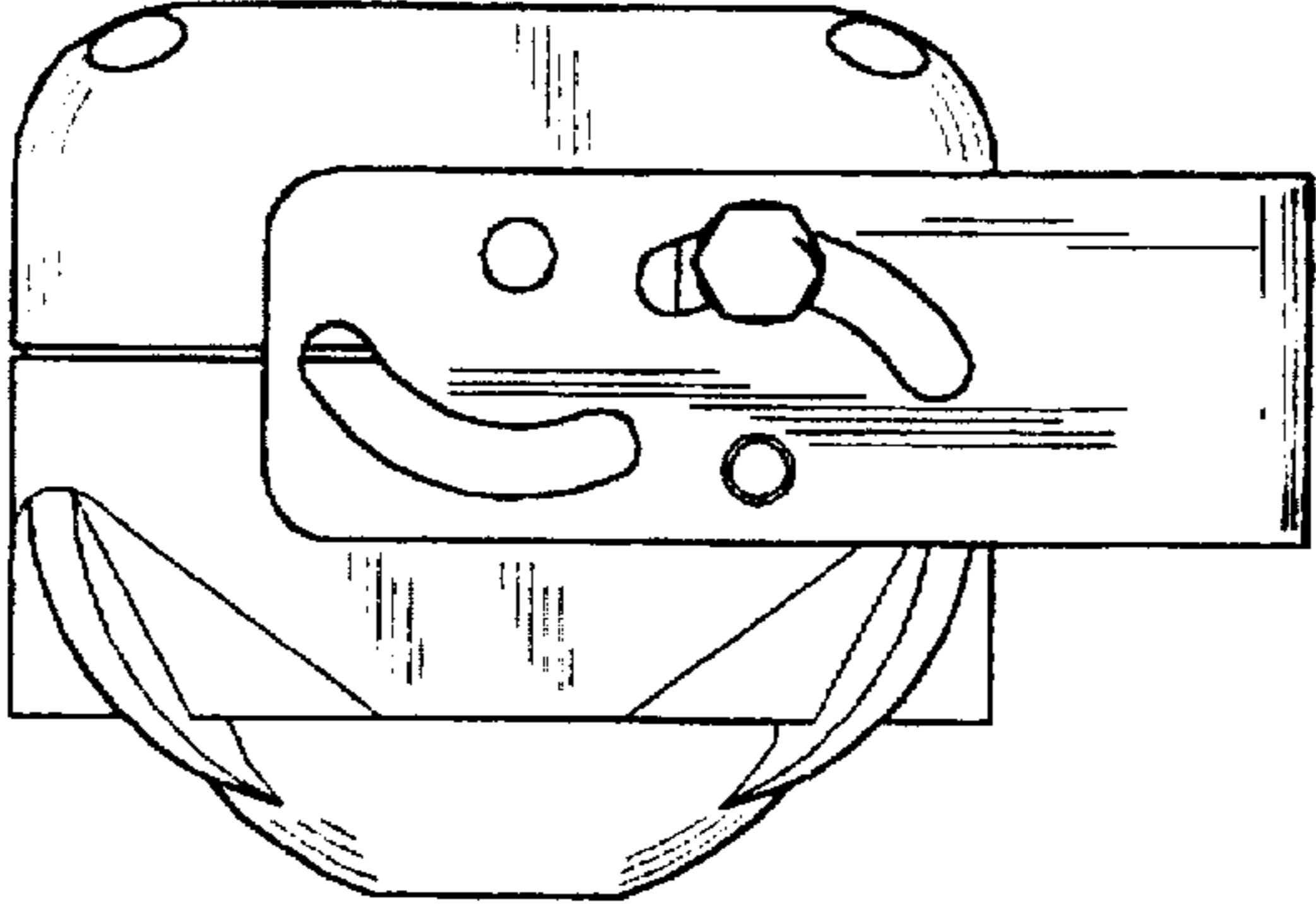


FIG. 5

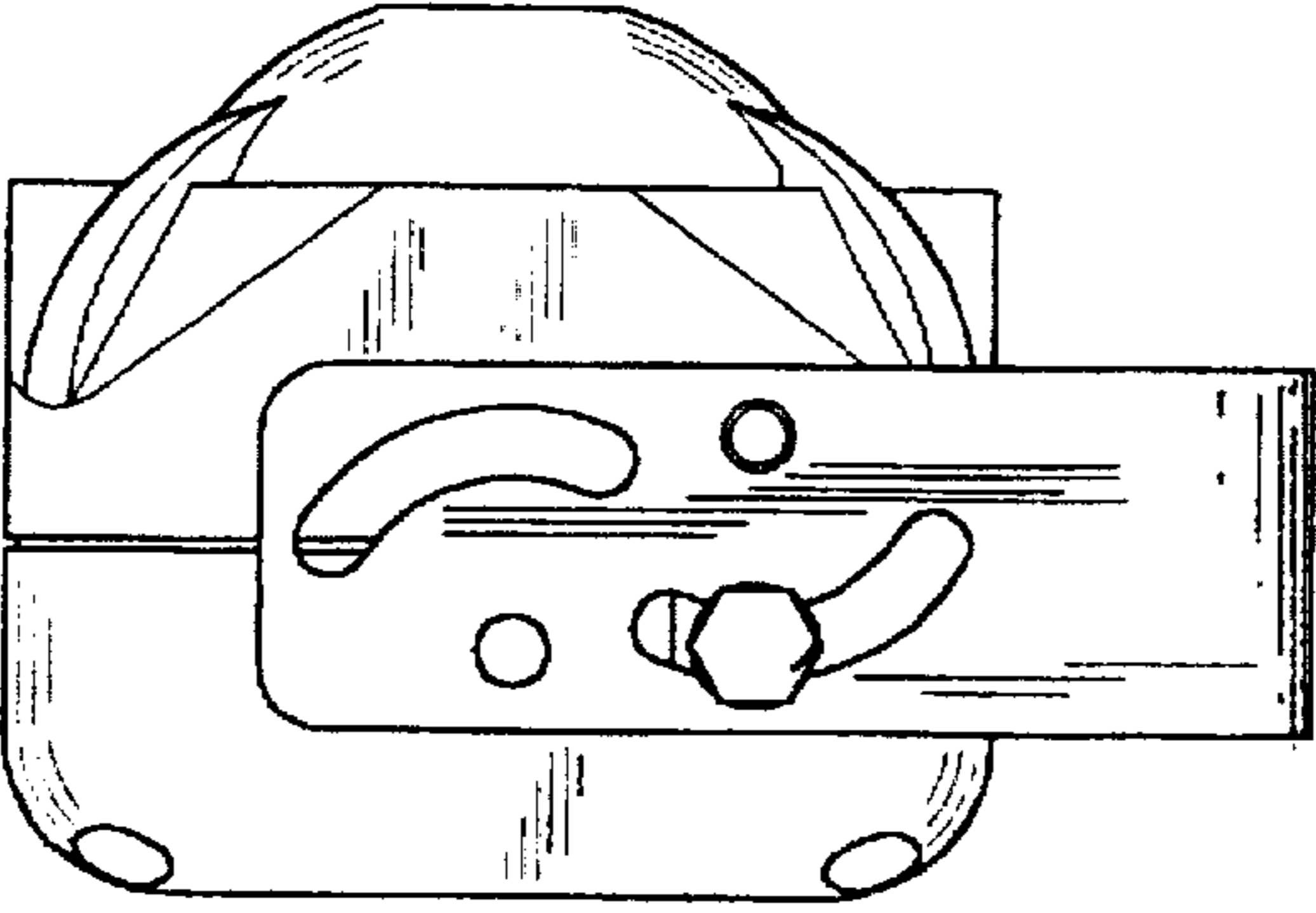


FIG. 4

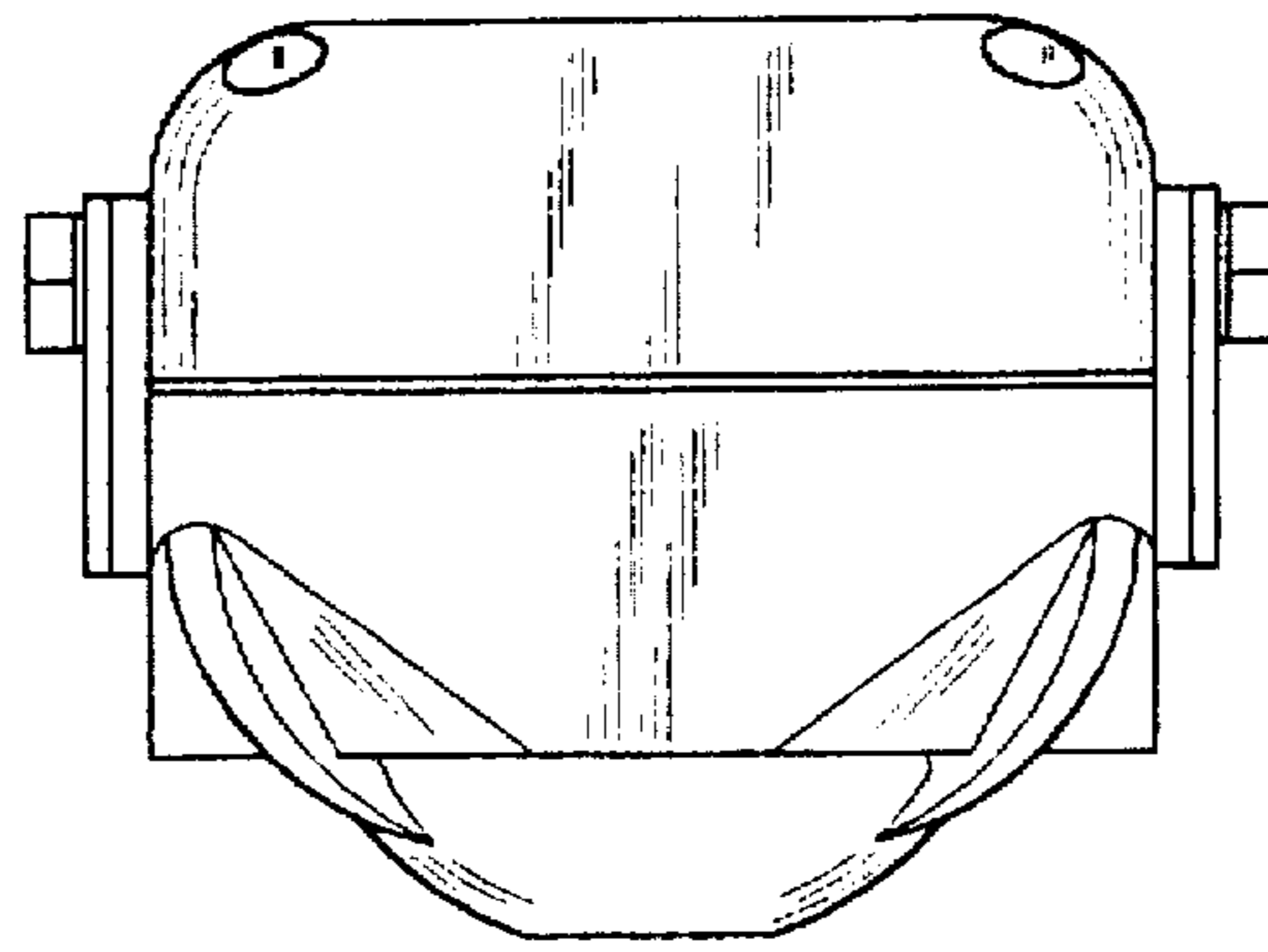


FIG. 6

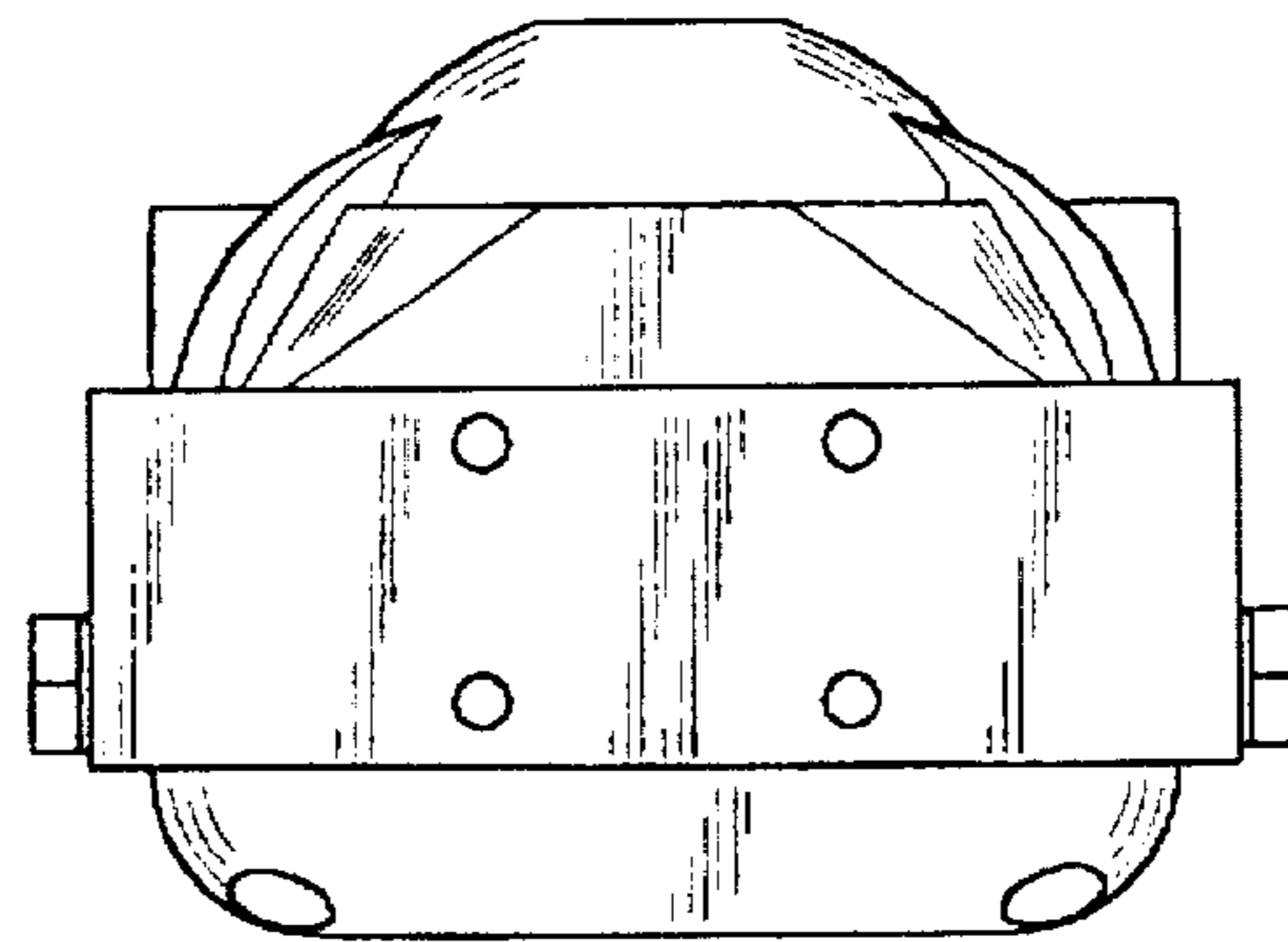


FIG. 7