



US00D397634S

United States Patent [19]
Day

[11] **Patent Number:** **Des. 397,634**

[45] **Date of Patent:** ****Sep. 1, 1998**

[54] **GAME CALL**

2,584,549 2/1952 Carhart D10/119
4,030,241 6/1977 Gallagher D10/119
4,221,075 9/1980 Gallagher D10/119

[76] **Inventor:** **Milton A. Day**, 1100 Manor Dr.,
Shreveport, La. 71118

[**] **Term:** **14 Years**

Primary Examiner—Marcus A. Jackson
Attorney, Agent, or Firm—John M. Harrison

[21] **Appl. No.:** **74,817**

[57] **CLAIM**

[22] **Filed:** **Aug. 11, 1997**

The ornamental design for a "game call", as shown and described.

[51] **LOC (6) Cl.** **10-05**

DESCRIPTION

[52] **U.S. Cl.** **D10/119**

[58] **Field of Search** D10/104, 116,
D10/119, 121; 446/202, 203, 204, 205,
206, 207, 208, 209

FIG. 1 is a perspective view of the game call, showing my new design;

FIG. 2 is a top elevation of the game call;

FIG. 3 is a bottom elevation thereof;

FIG. 4 is a right side elevation thereof, the left side being a mirror image thereof;

FIG. 5 is a front end elevation thereof; and,

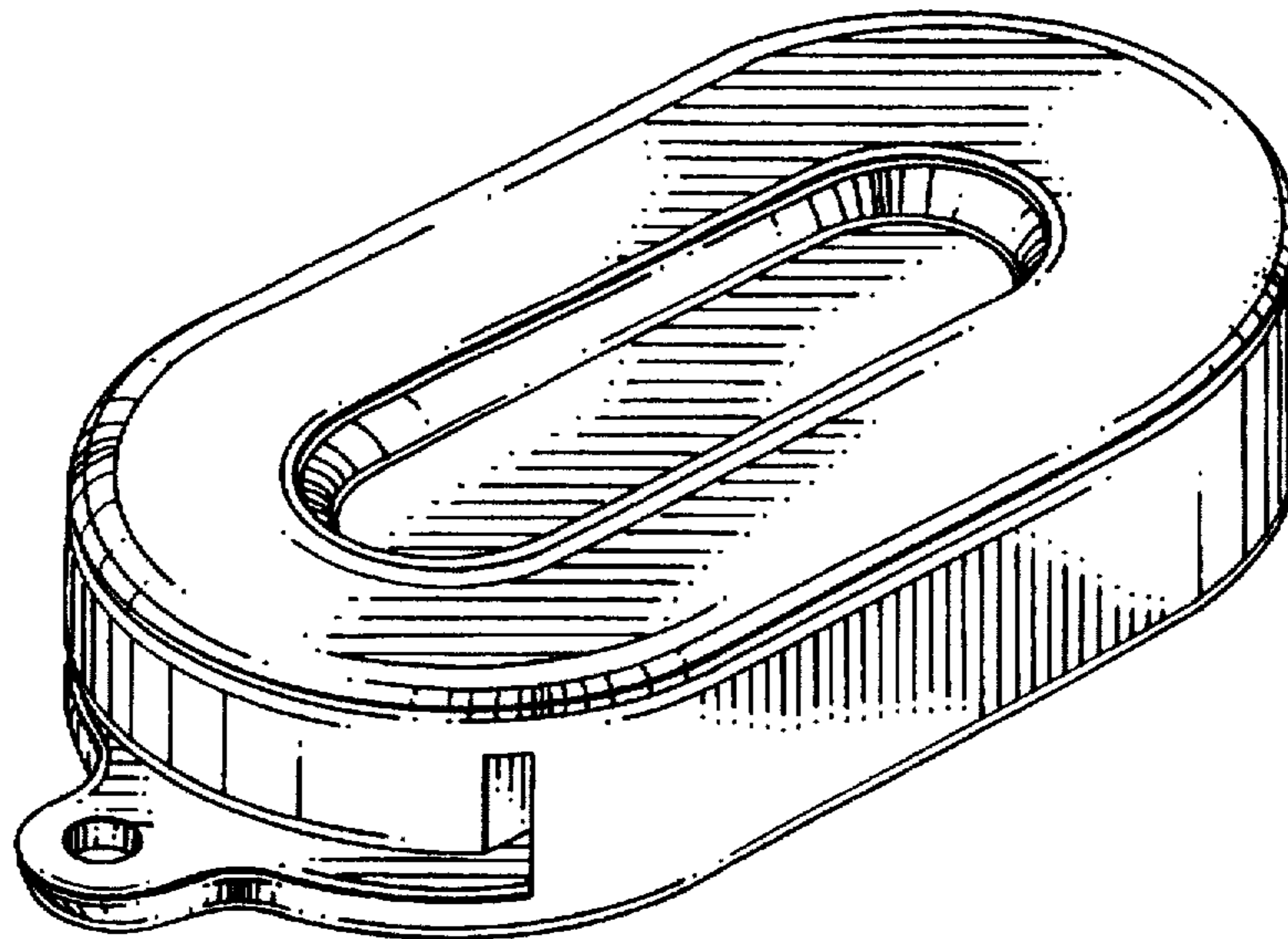
FIG. 6 is a rear end elevation of the game call illustrated in FIGS. 1-5.

[56] **References Cited**

U.S. PATENT DOCUMENTS

D. 215,107 9/1969 Chmela D10/119
D. 313,768 1/1991 White, Jr. D10/119
D. 330,523 10/1992 Killion D10/119
D. 377,383 1/1997 Morocco D10/119

1 Claim, 1 Drawing Sheet



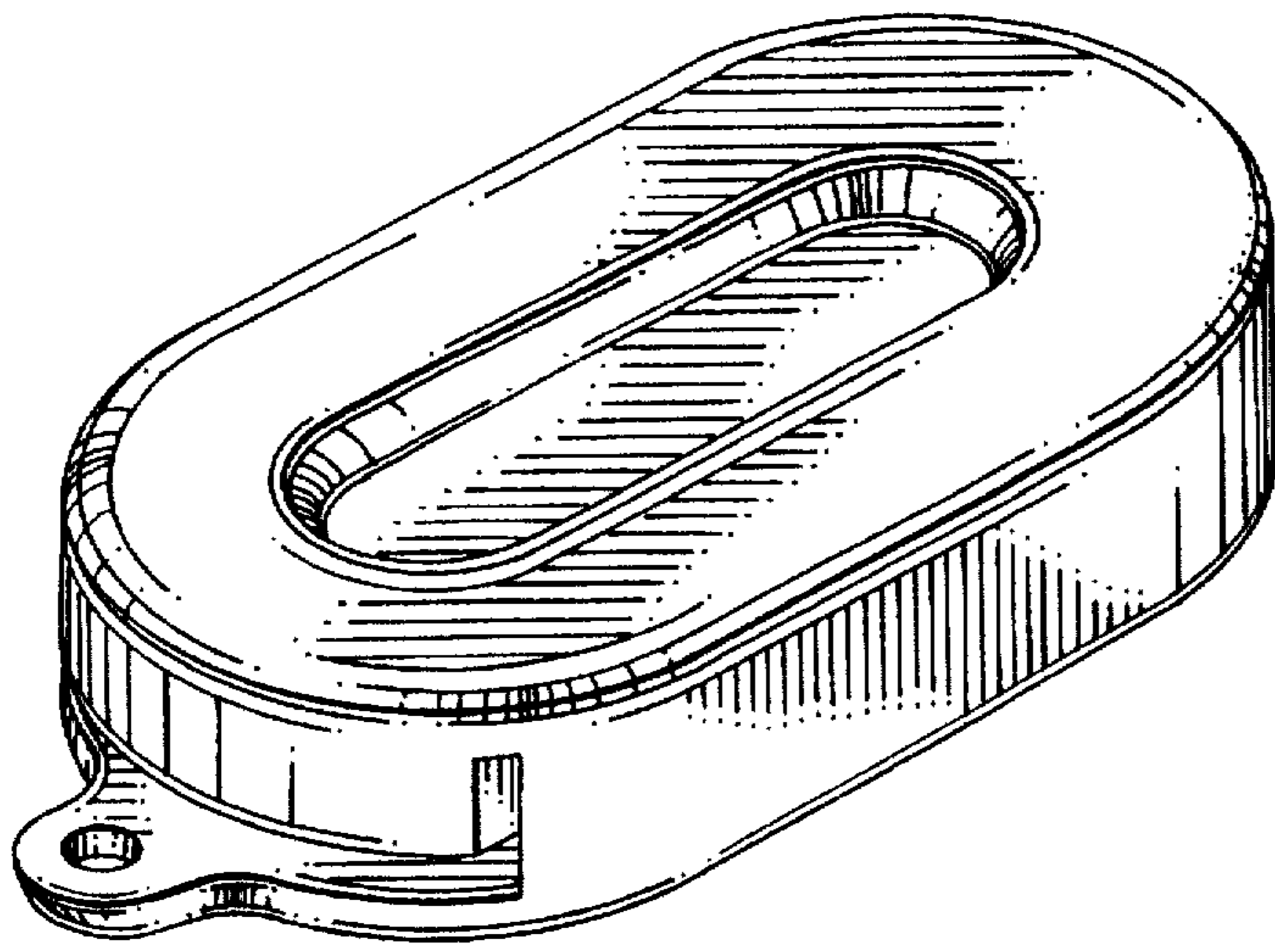


FIG. 1

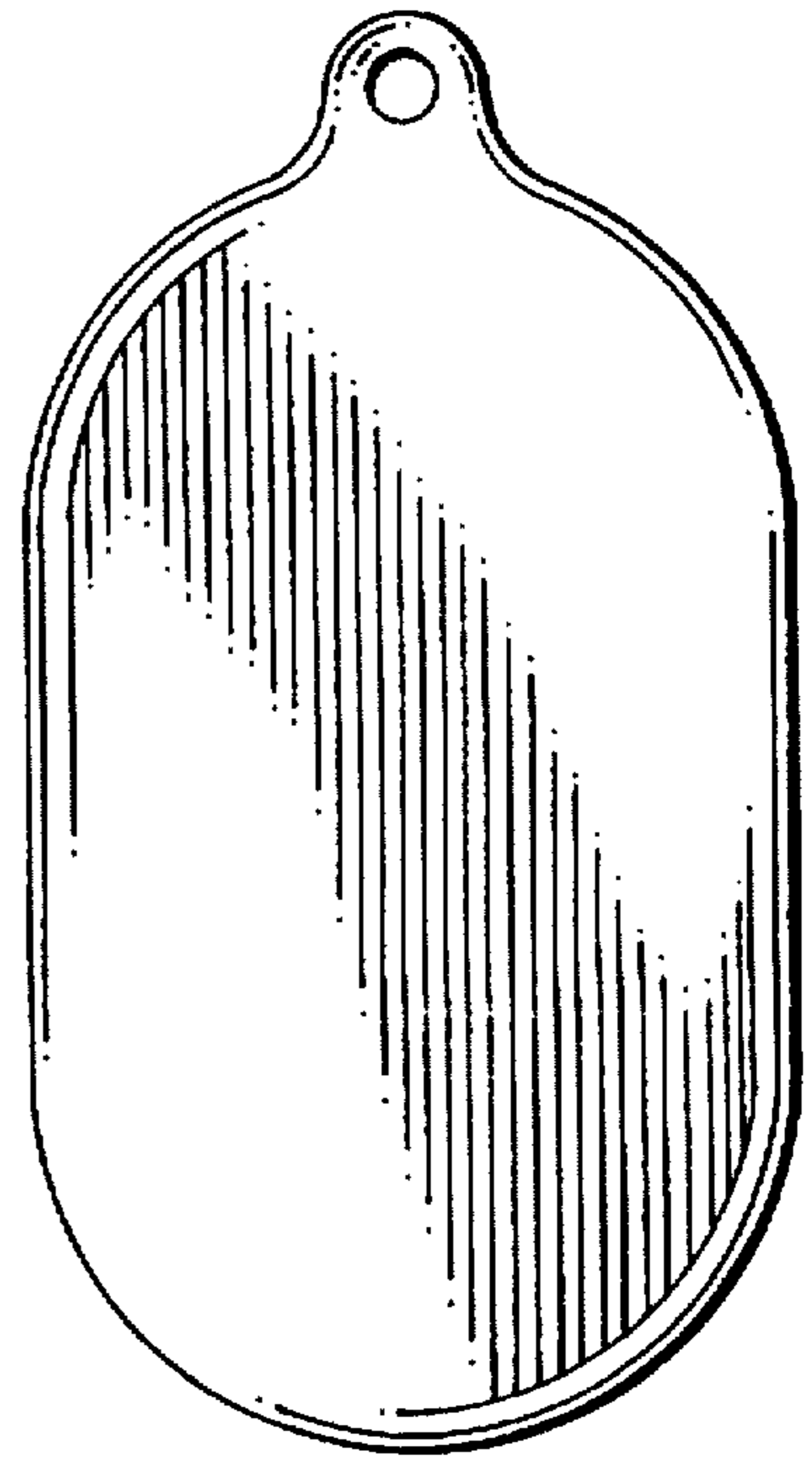


FIG. 3

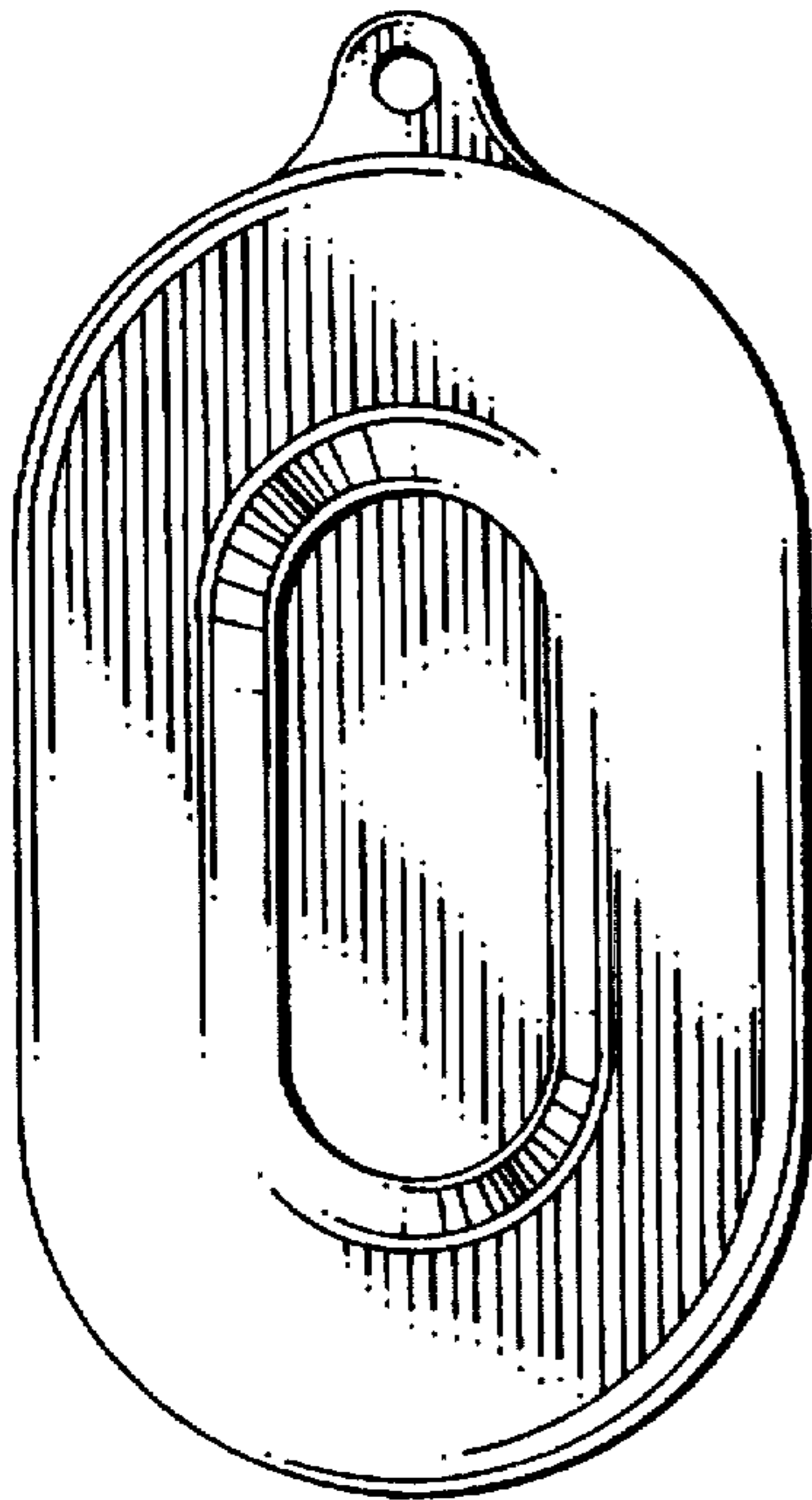


FIG. 2

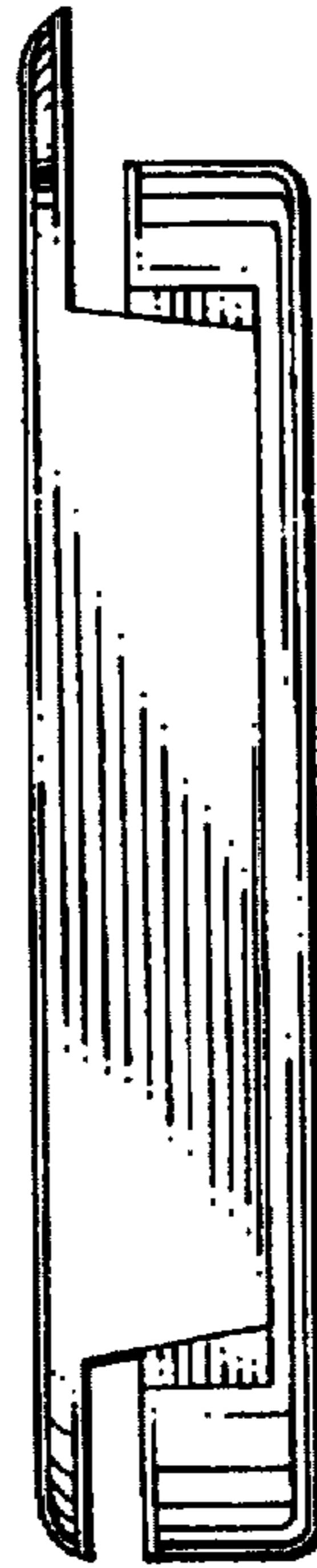


FIG. 4

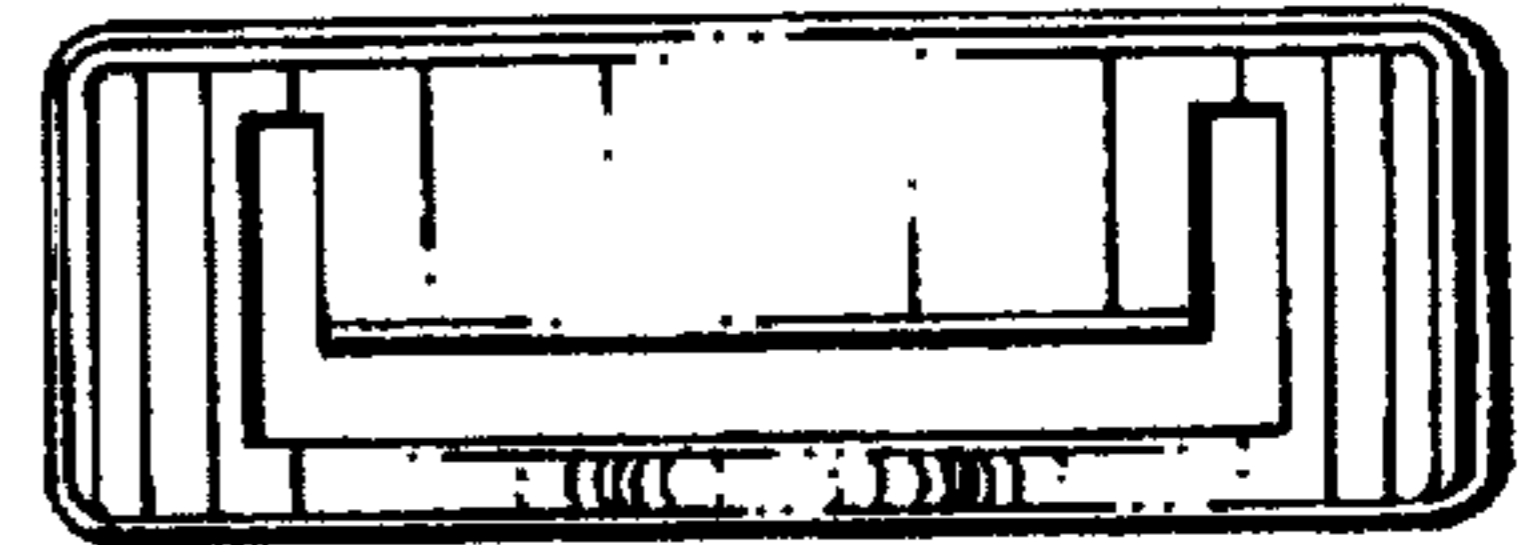


FIG. 5

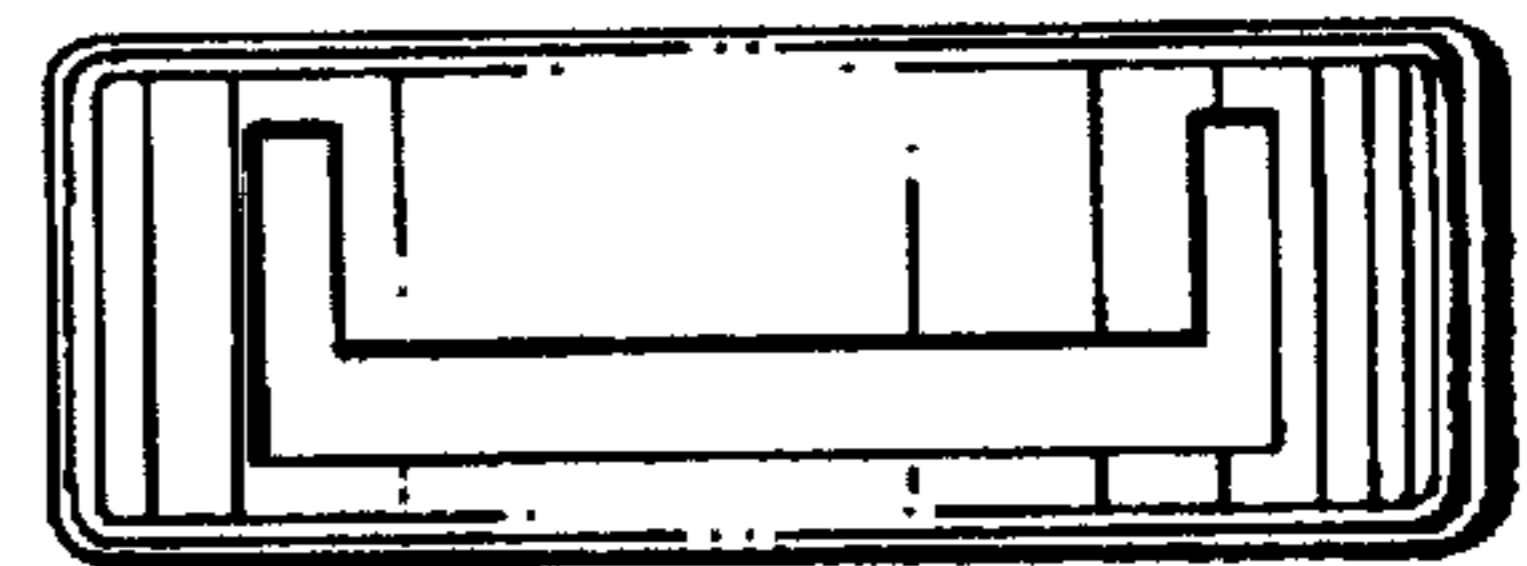


FIG. 6