



US00D397631S

United States Patent [19]
Riegel

[11] **Patent Number:** **Des. 397,631**
[45] **Date of Patent:** ****Sep. 1, 1998**

[54] **CAPACITANCE LIQUID LEVEL SENDER**

4,920,798 5/1990 Weaver 73/313

[75] **Inventor:** **David P. Riegel**, Landisville, Pa.

Primary Examiner—Antoine Duval Davis
Attorney, Agent, or Firm—Dan Williams

[73] **Assignee:** **Datcon Instrument Company**, East Petersburg, Pa.

[57] **CLAIM**

[**] **Term:** **14 Years**

The ornamental design for a capacitance liquid level sender, as shown.

[21] **Appl. No.:** **73,015**

DESCRIPTION

[22] **Filed:** **Jun. 28, 1997**

[51] **LOC (6) Cl.** **10-04**

[52] **U.S. Cl.** **D10/101; D10/96**

[58] **Field of Search** **D10/96, 101; 73/313, 73/319, 322.5**

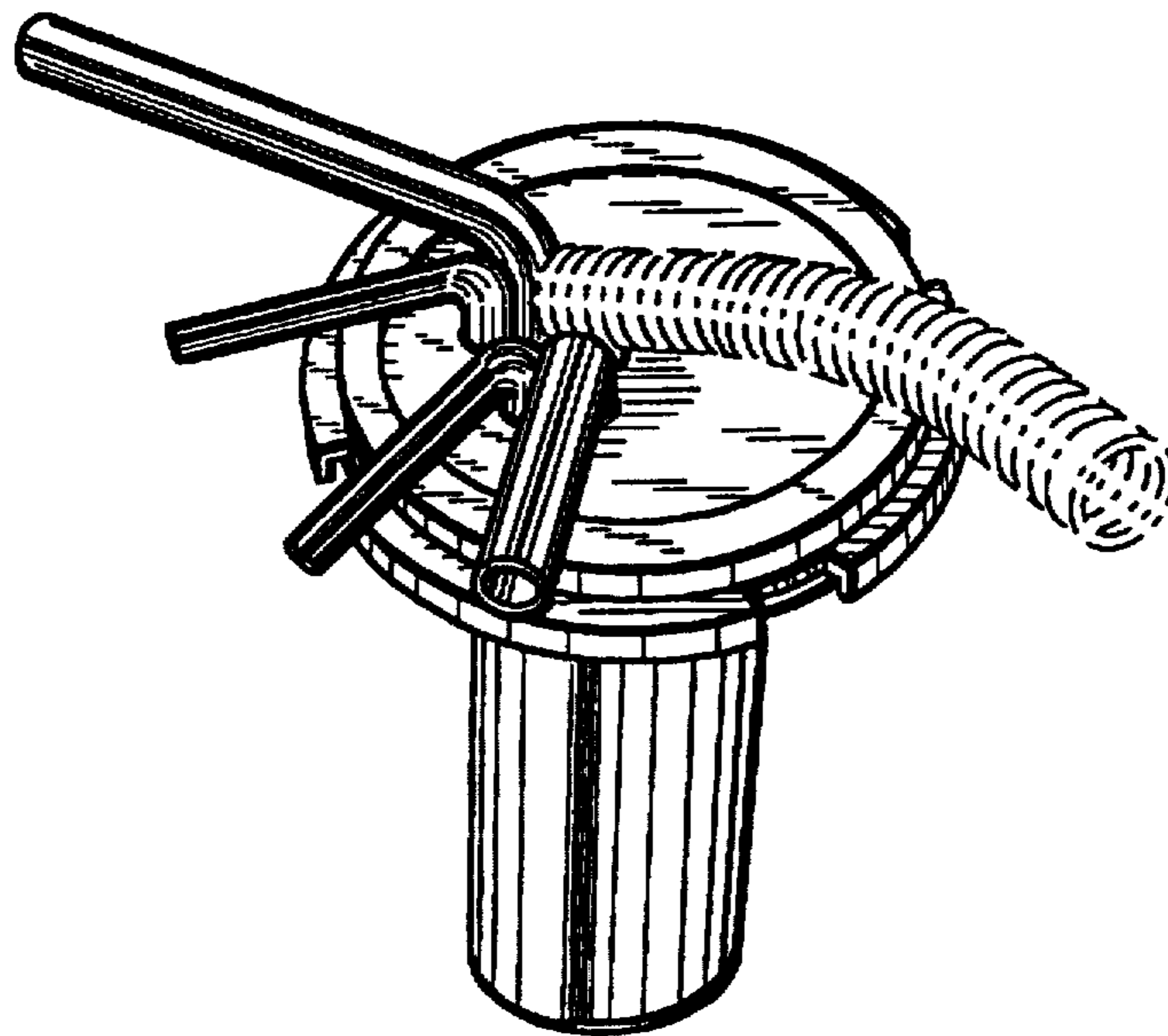
FIG. 1 is a top perspective view of my new design;
FIG. 2 is a top plan view of my new design;
FIG. 3 is a bottom perspective view of my new design;
FIG. 4 is a bottom plan view of my new design;
FIG. 5 is a front elevational view of my new design;
FIG. 6 is a left side elevational view of my new design;
FIG. 7 is a rear elevational view of my new design; and,
FIG. 8 is a right side elevational view of my new design.

[56] **References Cited**

U.S. PATENT DOCUMENTS

D. 378,284 3/1997 Grilk et al. D10/101

1 Claim, 4 Drawing Sheets



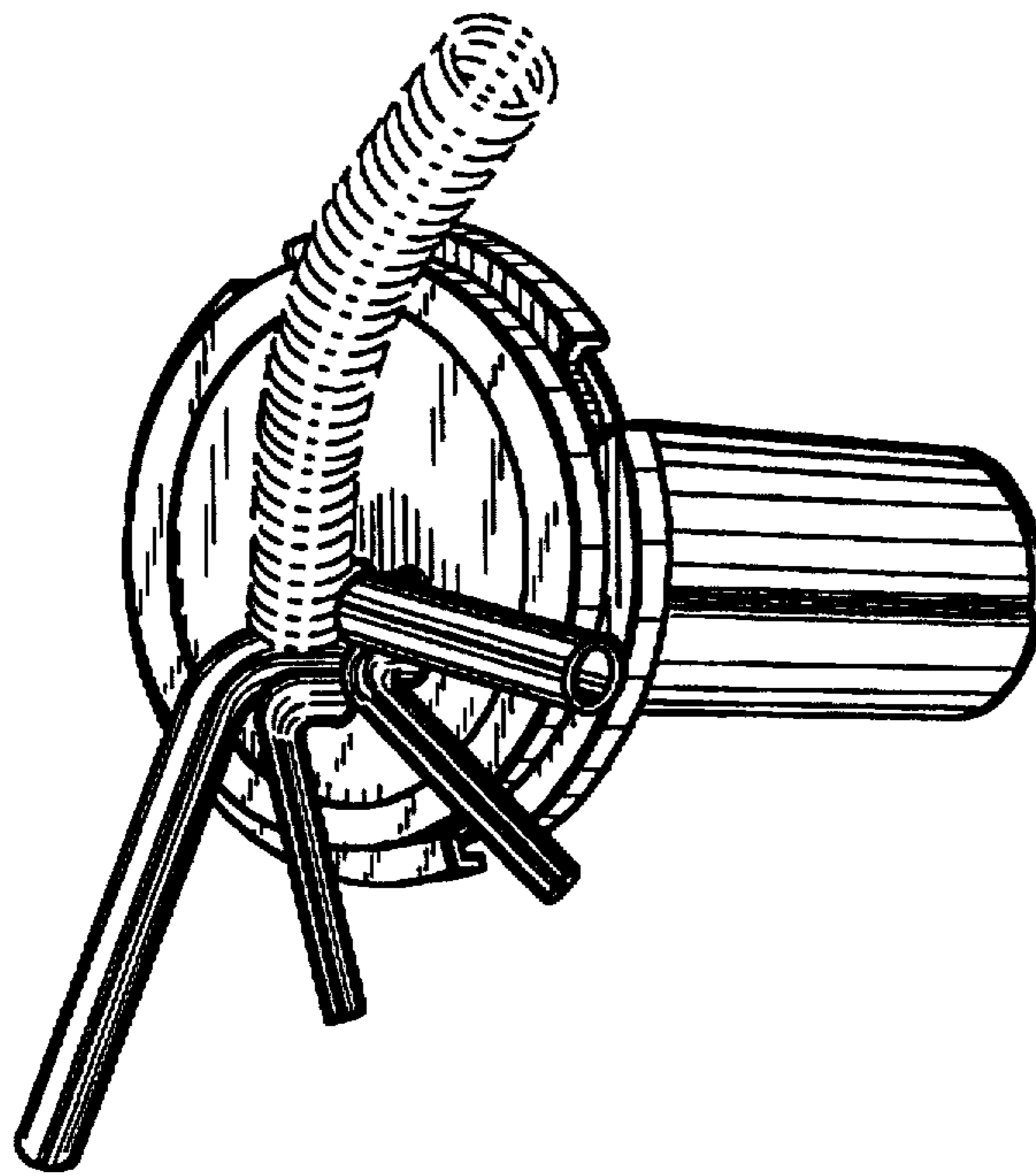


Fig. 1

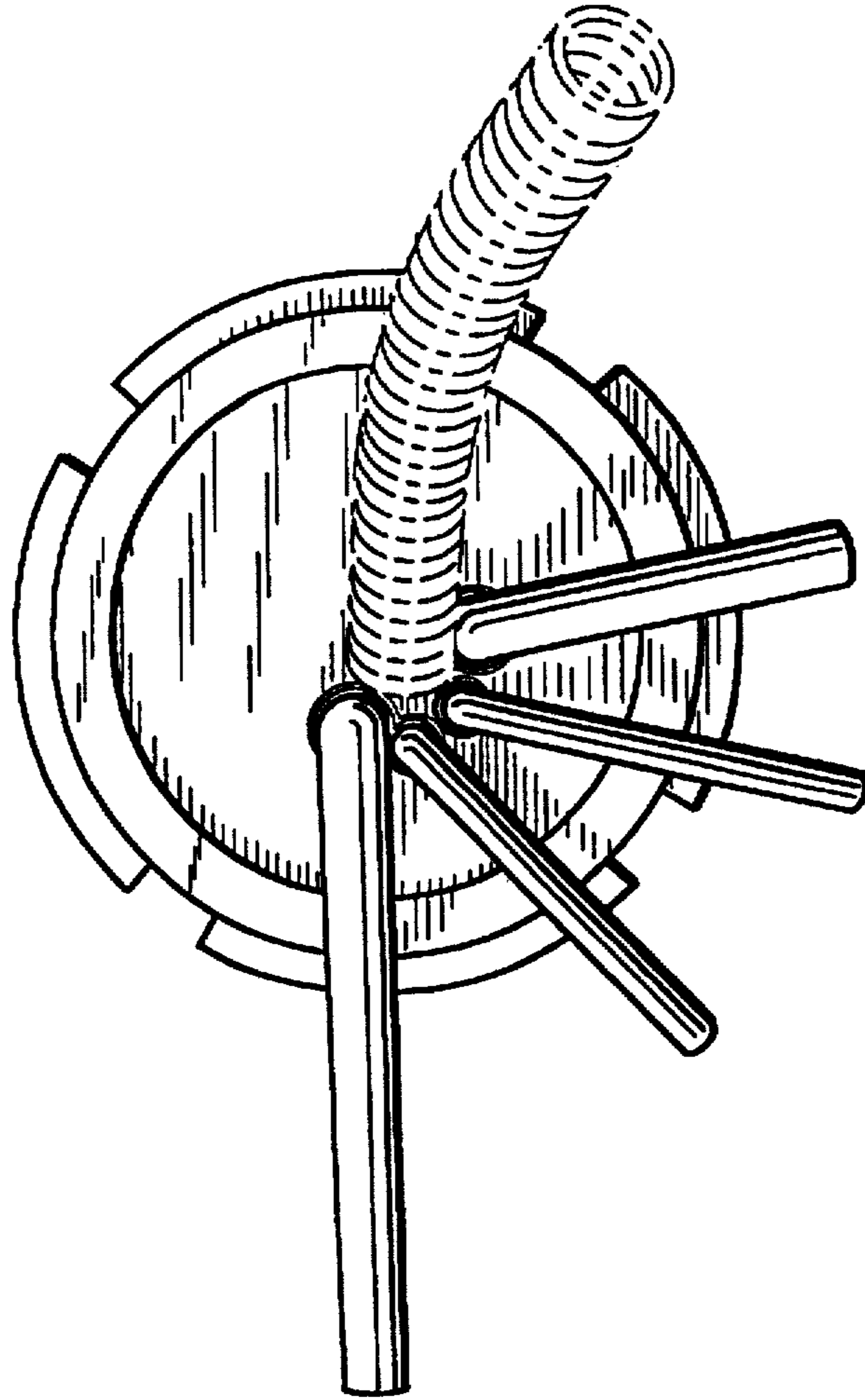


Fig. 2

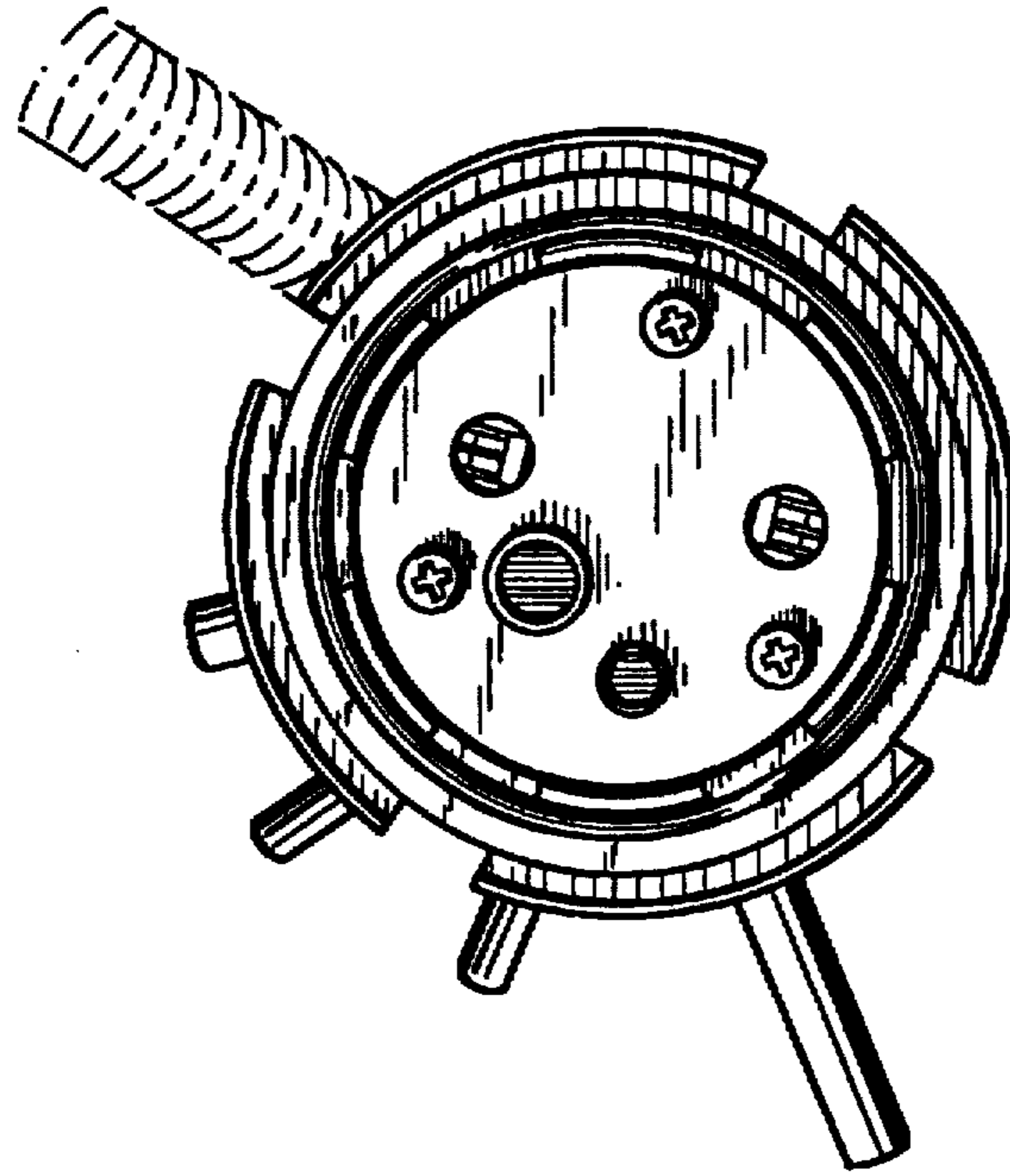


Fig. 4

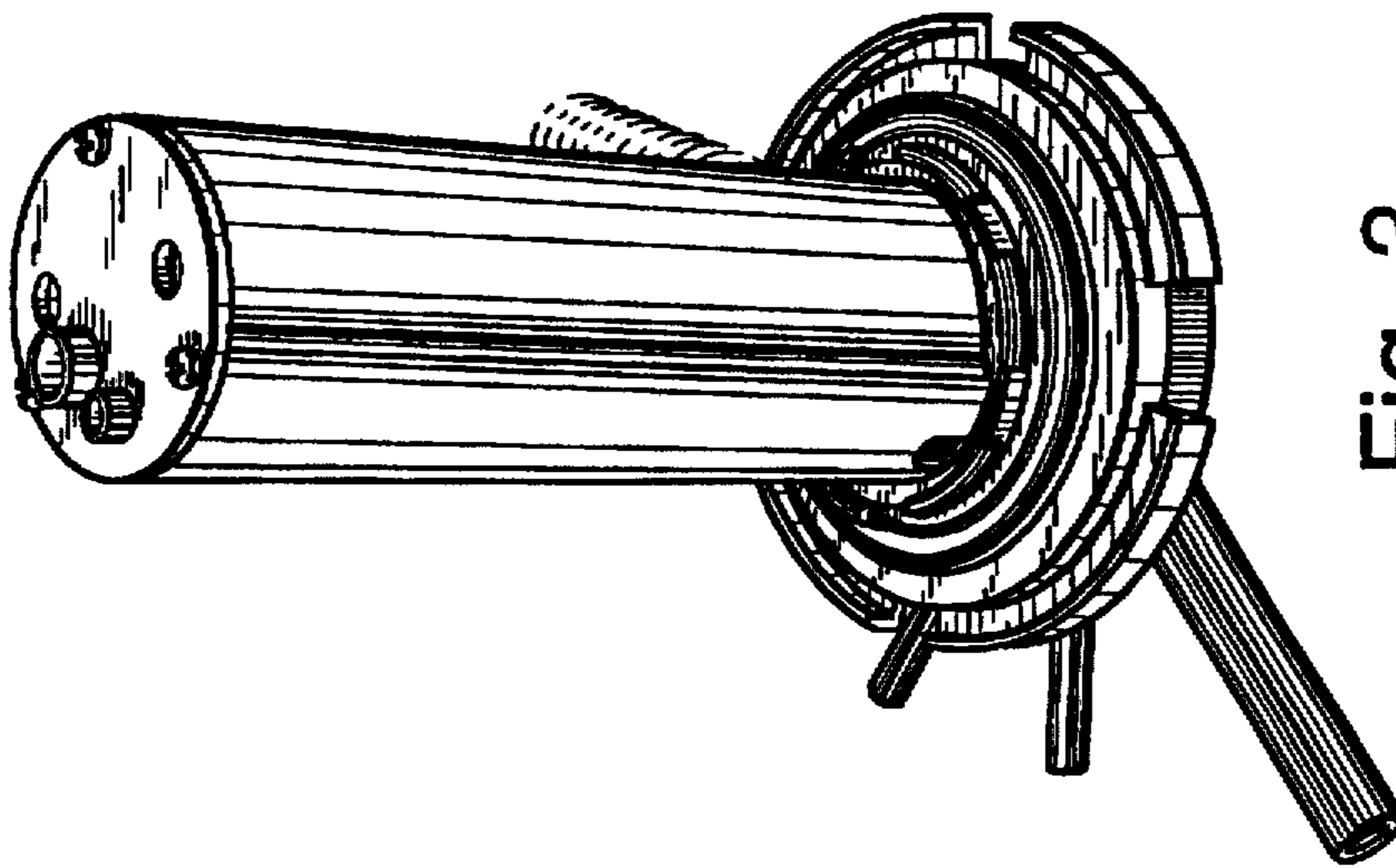


Fig. 3

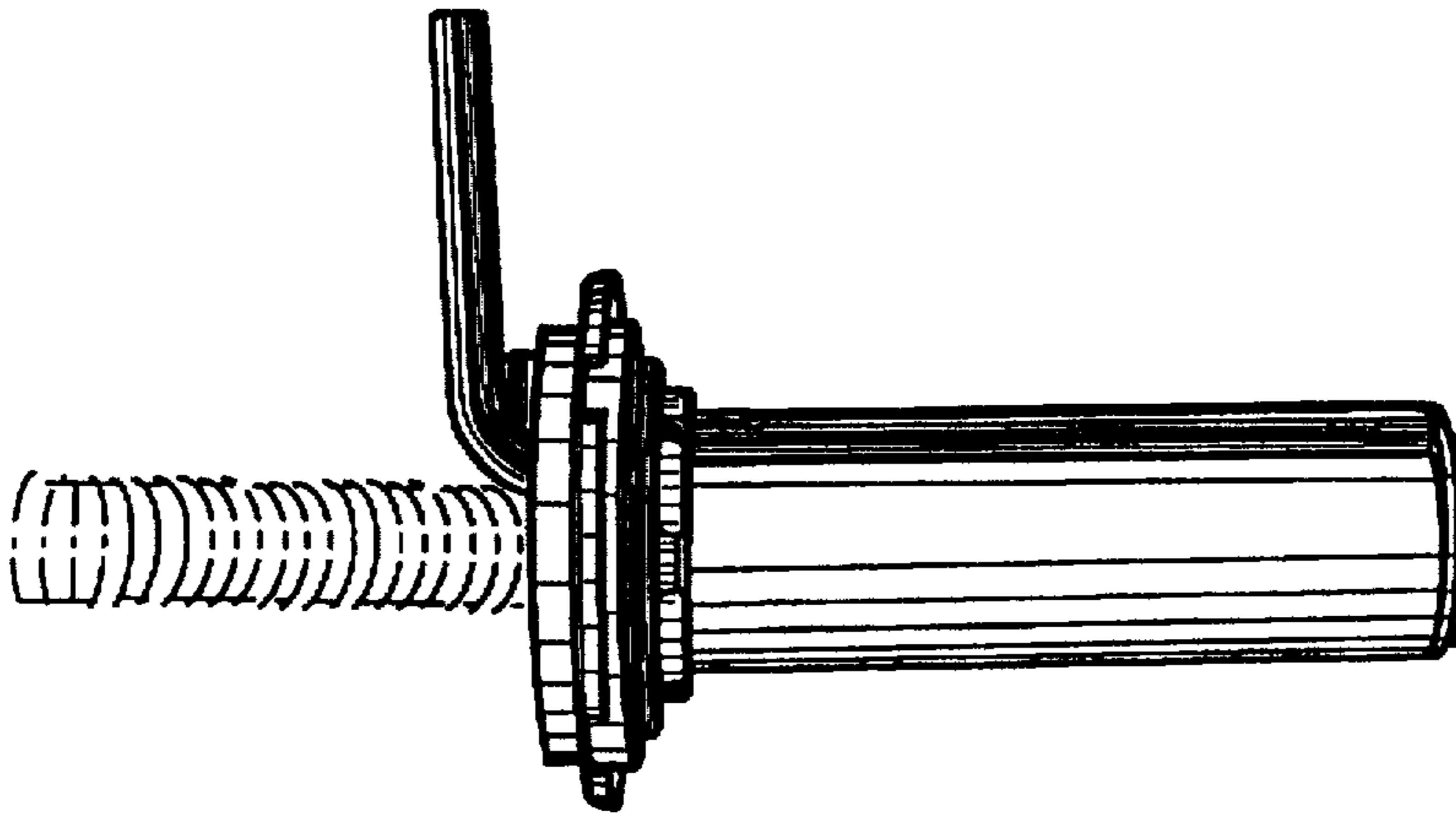


Fig. 6

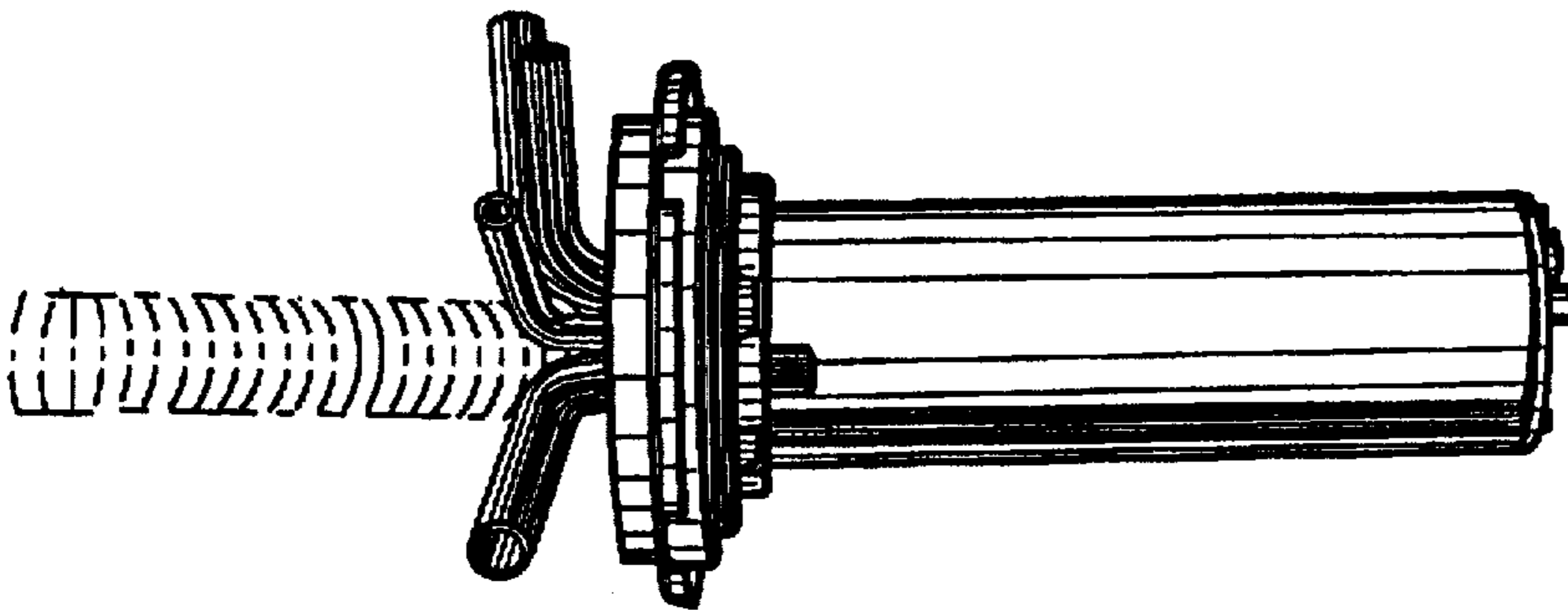


Fig. 5

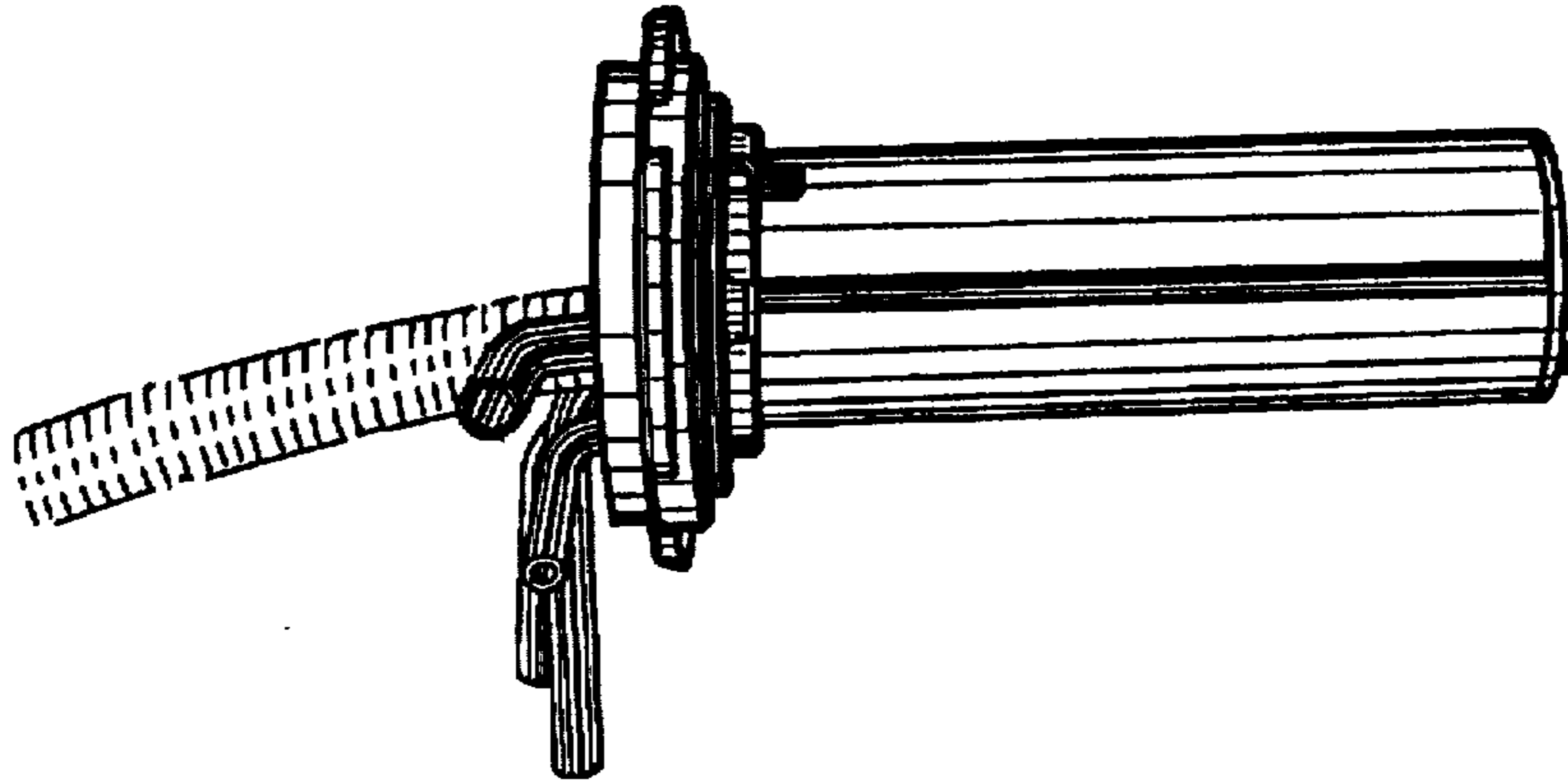


Fig. 8

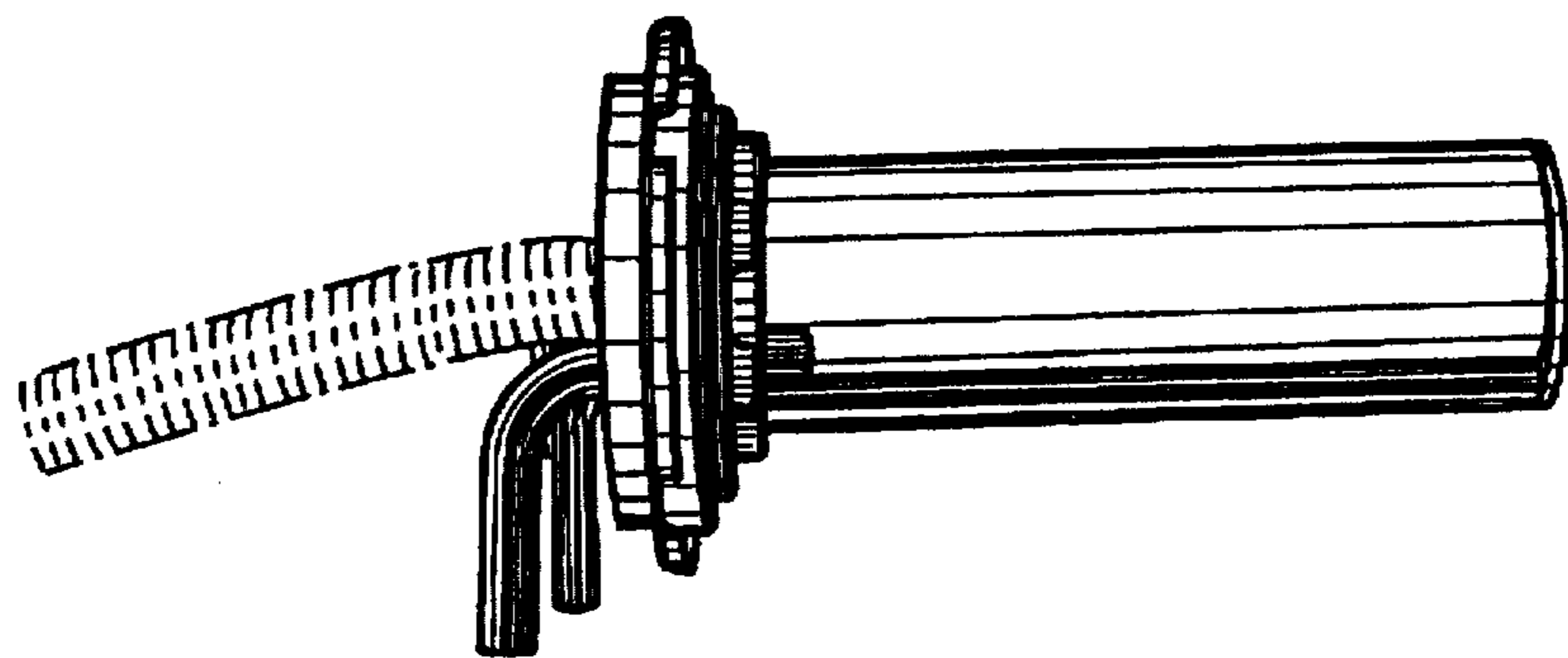


Fig. 7