



US00D397625S

United States Patent [19]
Pang et al.

[11] **Patent Number: Des. 397,625**
[45] **Date of Patent: **Sep. 1, 1998**

[54] **MEASURING DEVICE**

[76] **Inventors: Andy Tak Wing Pang; Sylvania Sau Fun Pang**, both of 91 Chelsea View Drive, Birkenhead, Auckland, New Zealand

[**] **Term: 14 Years**

[21] **Appl. No.: 64,945**

[22] **Filed: Jan. 15, 1997**

Related U.S. Application Data

[63] **Continuation-in-part of Ser. No. 59,059, Aug. 30, 1996.**

Foreign Application Priority Data

Mar. 1, 1996 [NZ] **New Zealand** 27424

[51] **LOC (6) Cl.** **10-04**

[52] **U.S. Cl.** **D10/65**

[58] **Field of Search** **D10/62, 64, 65; D16/232, 235; 33/1 N, 1 HP, 1 PT, 471, 534; 38/67, 122**

[56]

References Cited

U.S. PATENT DOCUMENTS

583,695	6/1897	Stalons et al.	33/534 X
2,189,245	2/1940	Guinez	33/471
2,255,808	9/1941	Porter et al.	33/1 N
2,551,997	5/1951	Cody	33/471 X

Primary Examiner—Antoine Duval Davis
Attorney, Agent, or Firm—Abelman, Frayne & Schwab

[57]

CLAIM

The ornamental design for a measuring device, as shown and described.

DESCRIPTION

FIG. 1 is a perspective view thereof;
FIG. 2 is a front view thereof;
FIG. 3 is a rear view thereof;
FIG. 4 is a top view thereof;
FIG. 5 is a bottom view thereof;
FIG. 6 is a right side elevation thereof; and,
FIG. 7 is a left side elevation thereof.

1 Claim, 5 Drawing Sheets

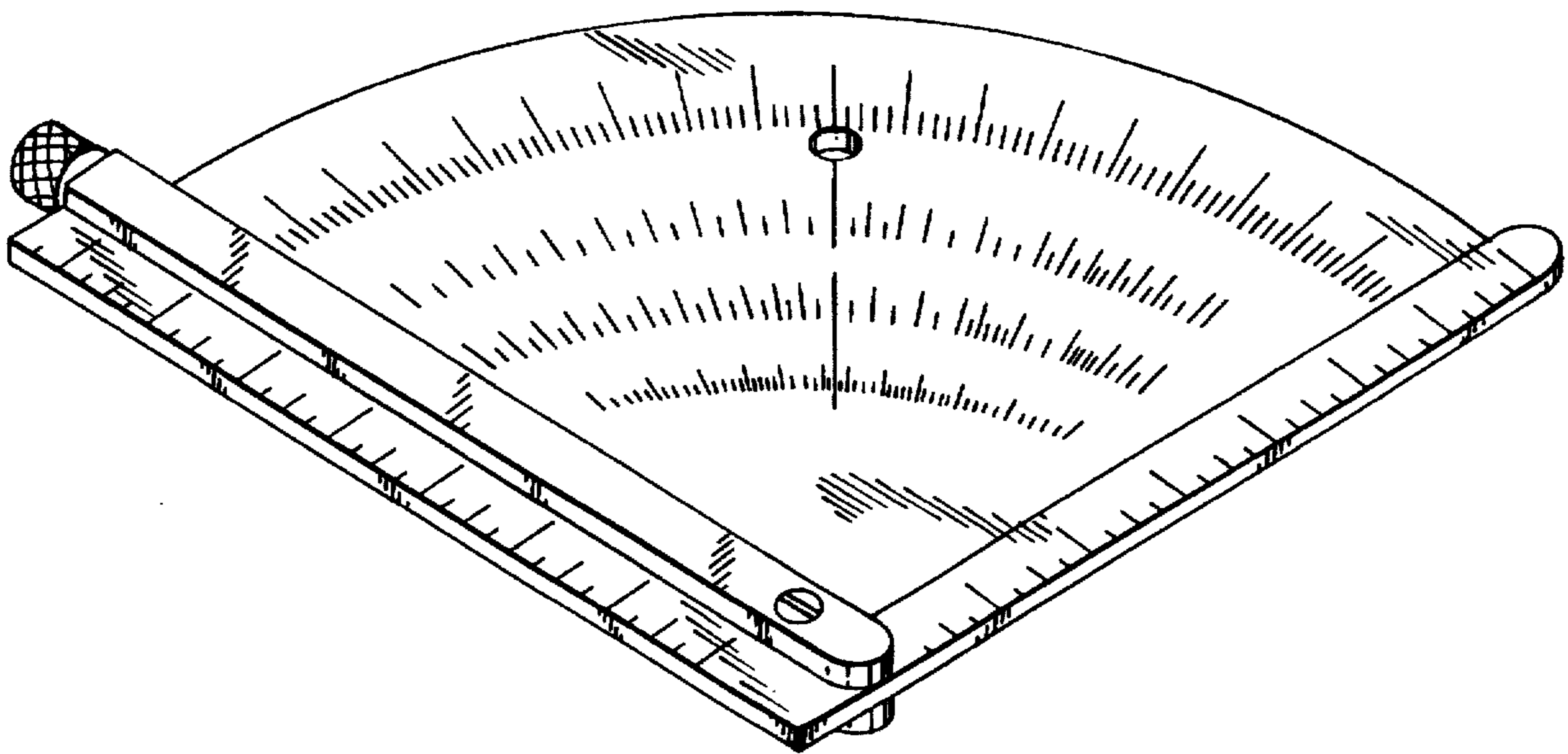
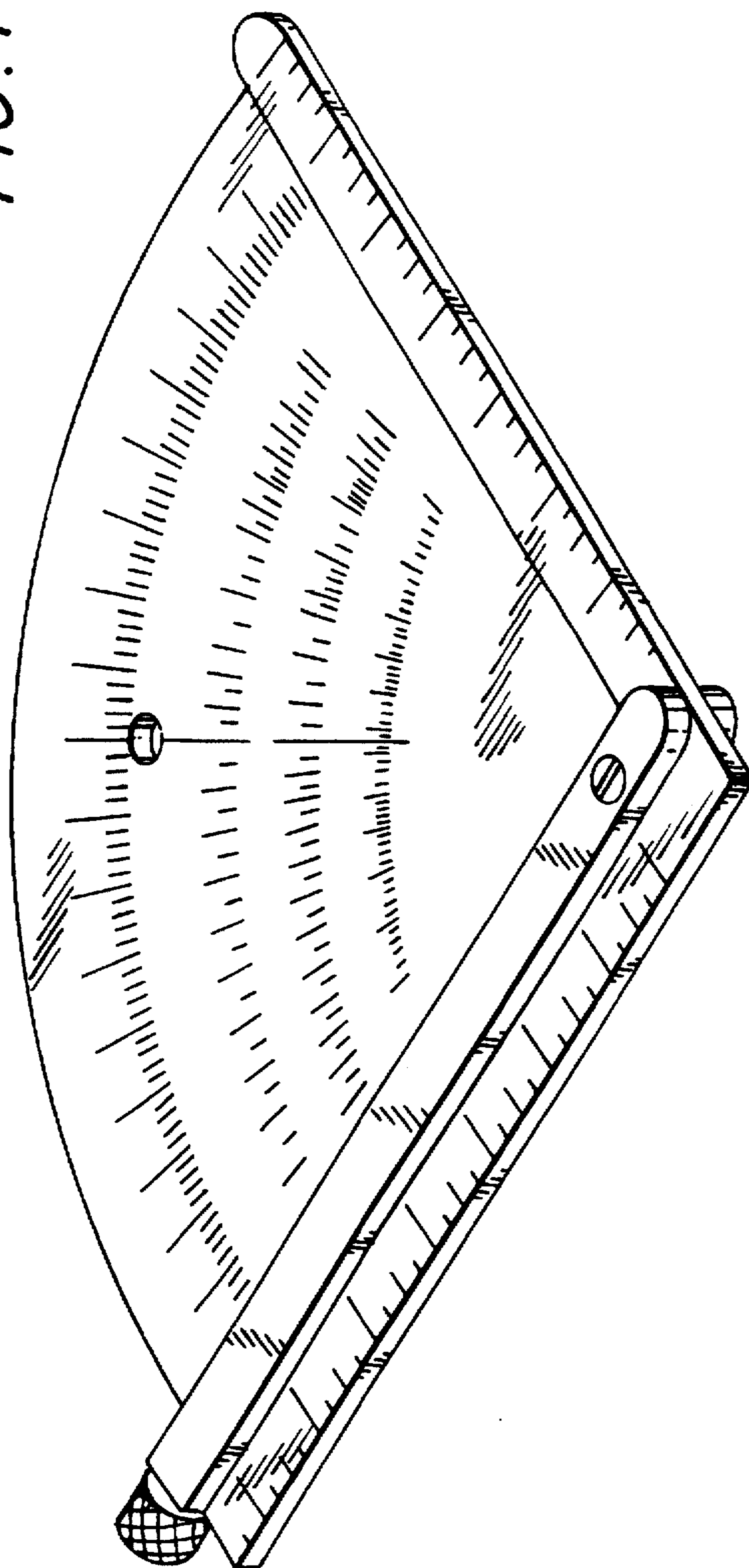


FIG. 1



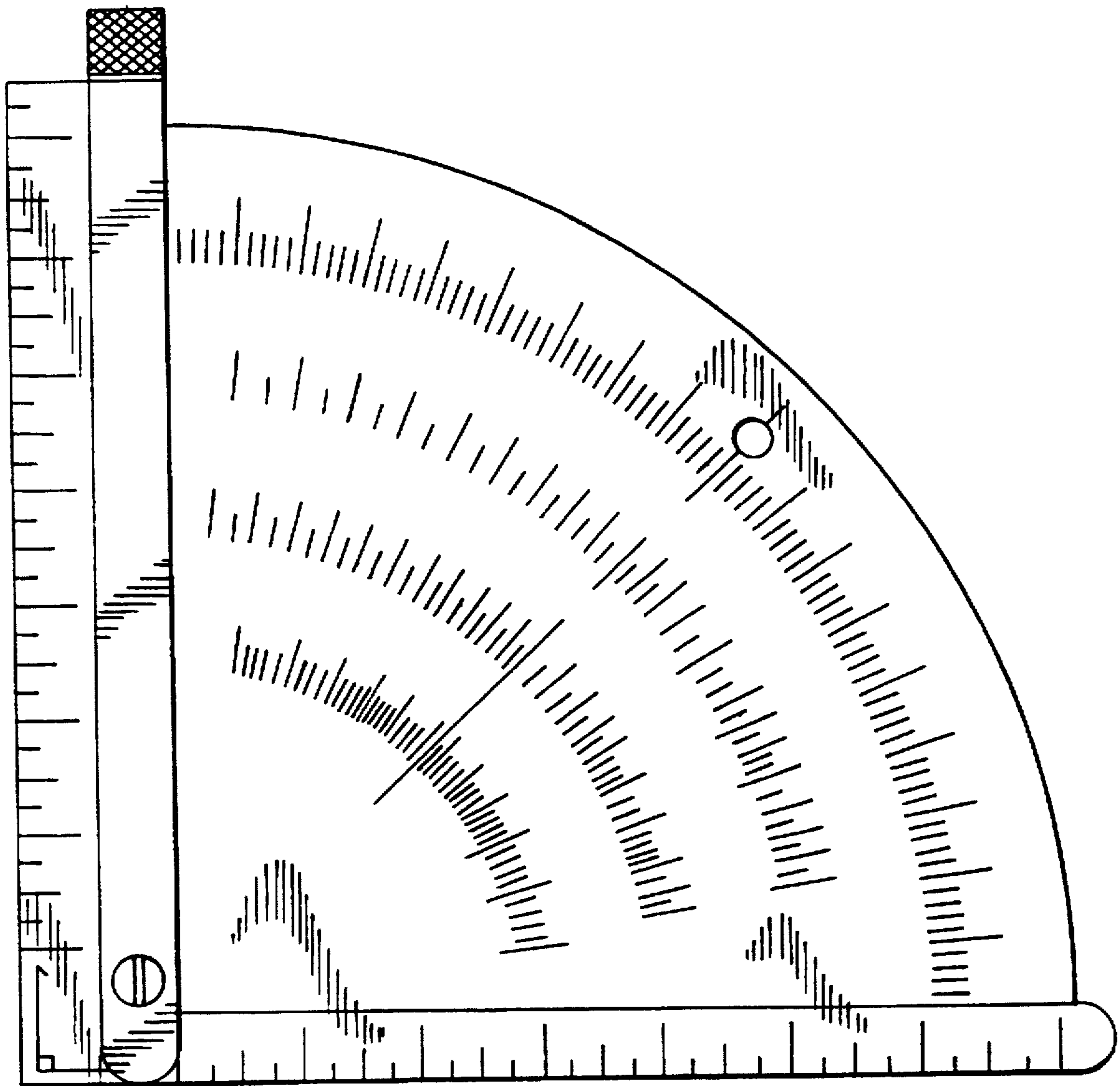


FIG. 2

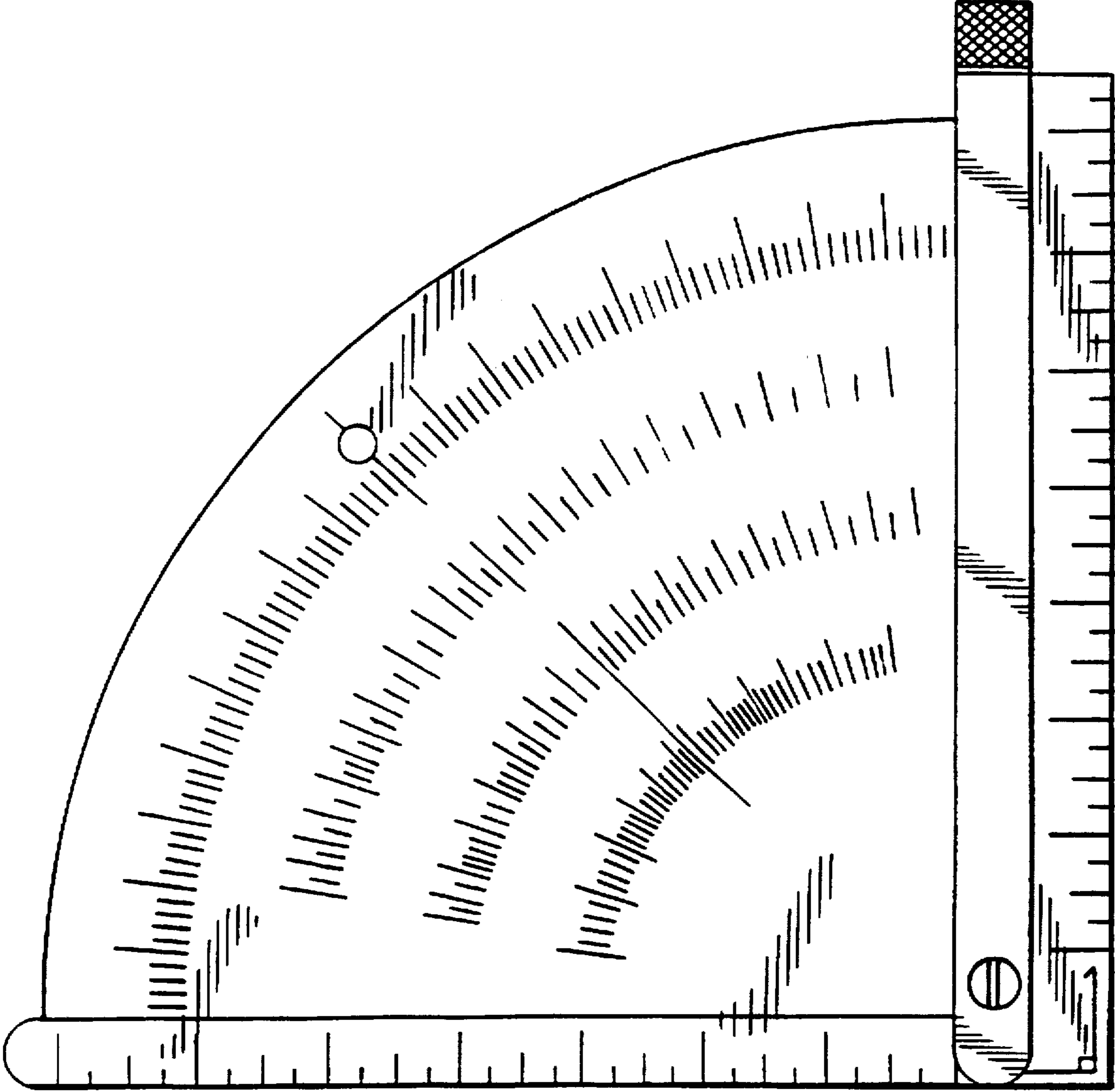


FIG. 3

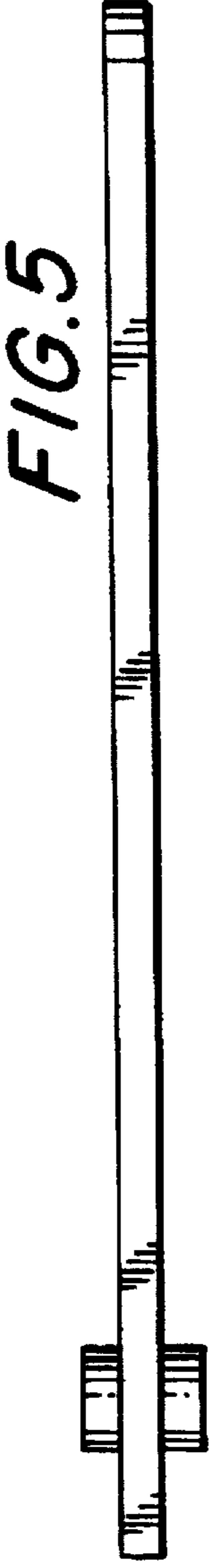
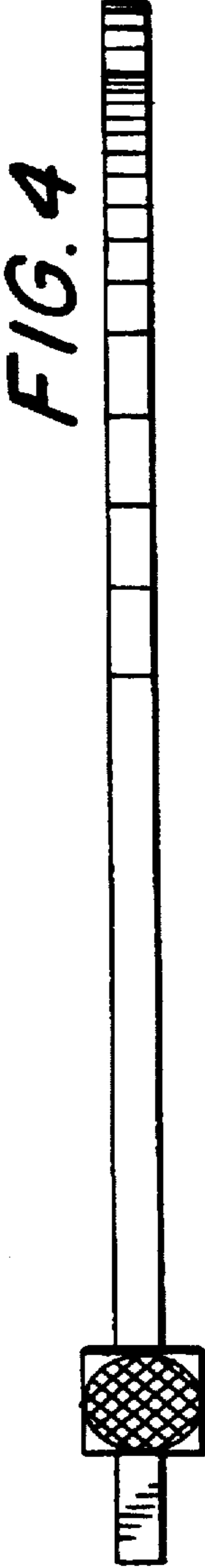




FIG. 6



FIG. 7