



US00D397611S

United States Patent [19]

Robinson et al.

[11] Patent Number: **Des. 397,611**

[45] Date of Patent: ****Sep. 1, 1998**

[54] **CLOSURE FOR A BOX FOR STRAWS**

[75] Inventors: **Ron Robinson**, Bridgeton; **Terrance J. McMichael**, Kirkwood, both of Mo.; **Brian Flynn**, Glendale Hts., Ill.; **John Hoffman**, Chicago, Ill.; **Richard B. Partlow**, Naperville, Ill.; **David Rosten**, Cambridge, Minn.

[73] Assignee: **bioMérieux Vitek, Inc.**, Hazelwood, Mo.

[**] Term: **14 Years**

[21] Appl. No.: **72,106**

[22] Filed: **Jun. 11, 1997**

Related U.S. Application Data

[62] Division of Ser. No. 61,824, Oct. 31, 1996.

[51] **LOC (6) Cl.** **09-07**

[52] **U.S. Cl.** **D9/435**

[58] **Field of Search** D9/435, 446, 454, D9/499, 420, 423; D3/323, 326; 206/443, 494, 775, 779, 780, 783; 229/103.2, 125.35; 220/337, 339, 4.22, 4.23

[56] References Cited

U.S. PATENT DOCUMENTS

3,148,103 9/1964 Gallagher 220/339 X

3,511,433	5/1970	Andrews et al.	220/339 X
3,555,337	1/1971	Harmon	220/339 X
3,567,013	3/1971	Tannenbaum	220/339 X
3,645,384	2/1972	Wind	220/339 X
3,710,975	1/1973	Jansen	220/339
3,784,055	1/1974	Anderson	206/494 X
4,273,249	6/1981	Florian	220/4.23 X

Primary Examiner—James Gandy
Assistant Examiner—Cathron B. Matta
Attorney, Agent, or Firm—Nicholas I. Slepchuk, Jr.

[57] CLAIM

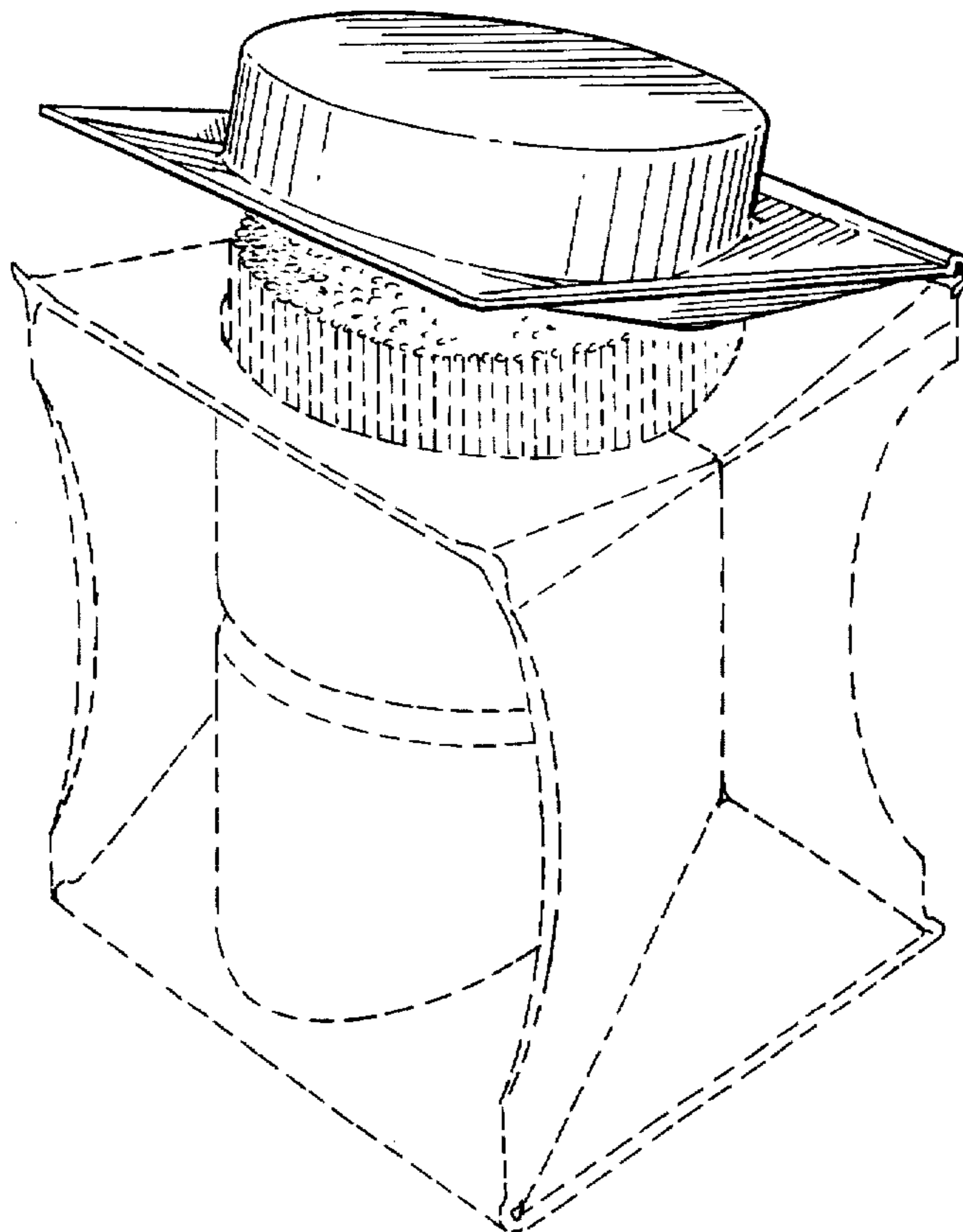
The ornamental design for a closure for a box for straws, as shown and described.

DESCRIPTION

FIG. 1 is a perspective view of a closure for a box for straws showing our design, shown in a partially opened position; FIG. 2 is a top plan view of our design; FIG. 3 is a front elevational view of FIG. 2; FIG. 4 is a bottom plan view of FIG. 2; FIG. 5 is a rear elevational view of FIG. 2; FIG. 6 is a side elevational view of FIG. 2, the opposite side being a mirror image thereof; FIG. 7 is a cross-sectional view taken along line VII—VII of FIG. 2; and, FIG. 8 is a cross-sectional view taken along VIII—VIII of FIG. 2.

The broken line showing of box for straws is for illustrative purposes only and forms no part of the claimed design.

1 Claim, 2 Drawing Sheets



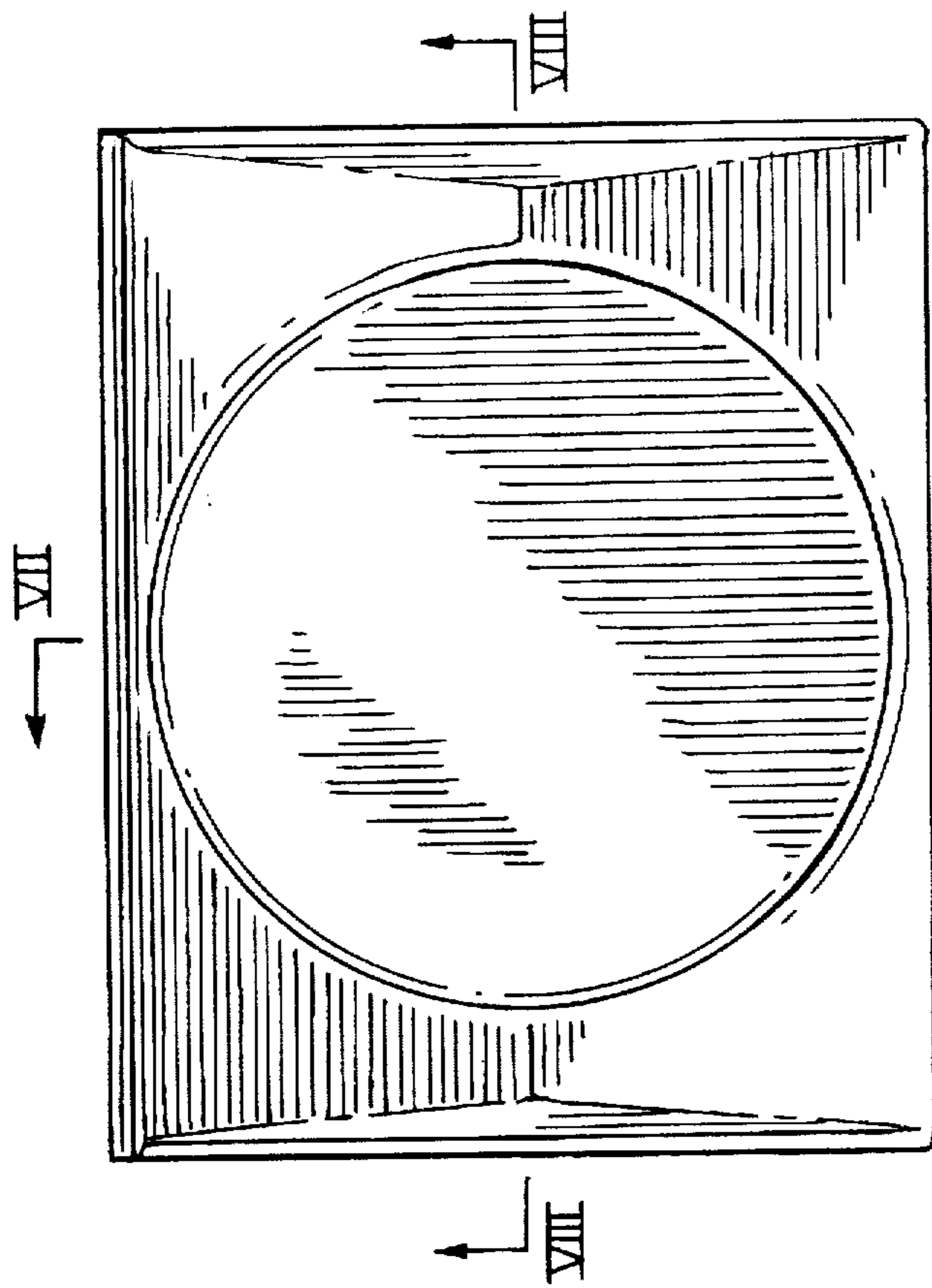


FIG. 2

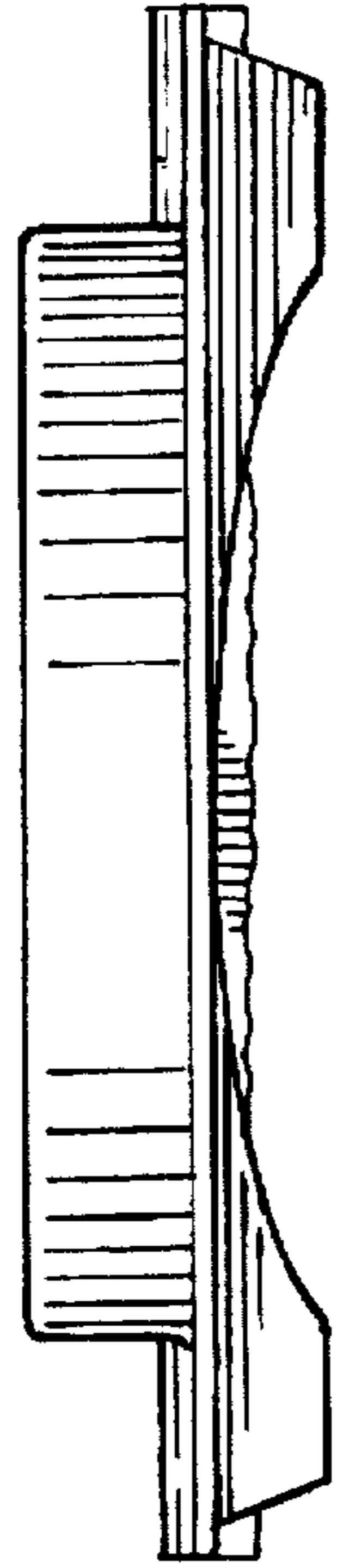


FIG. 3

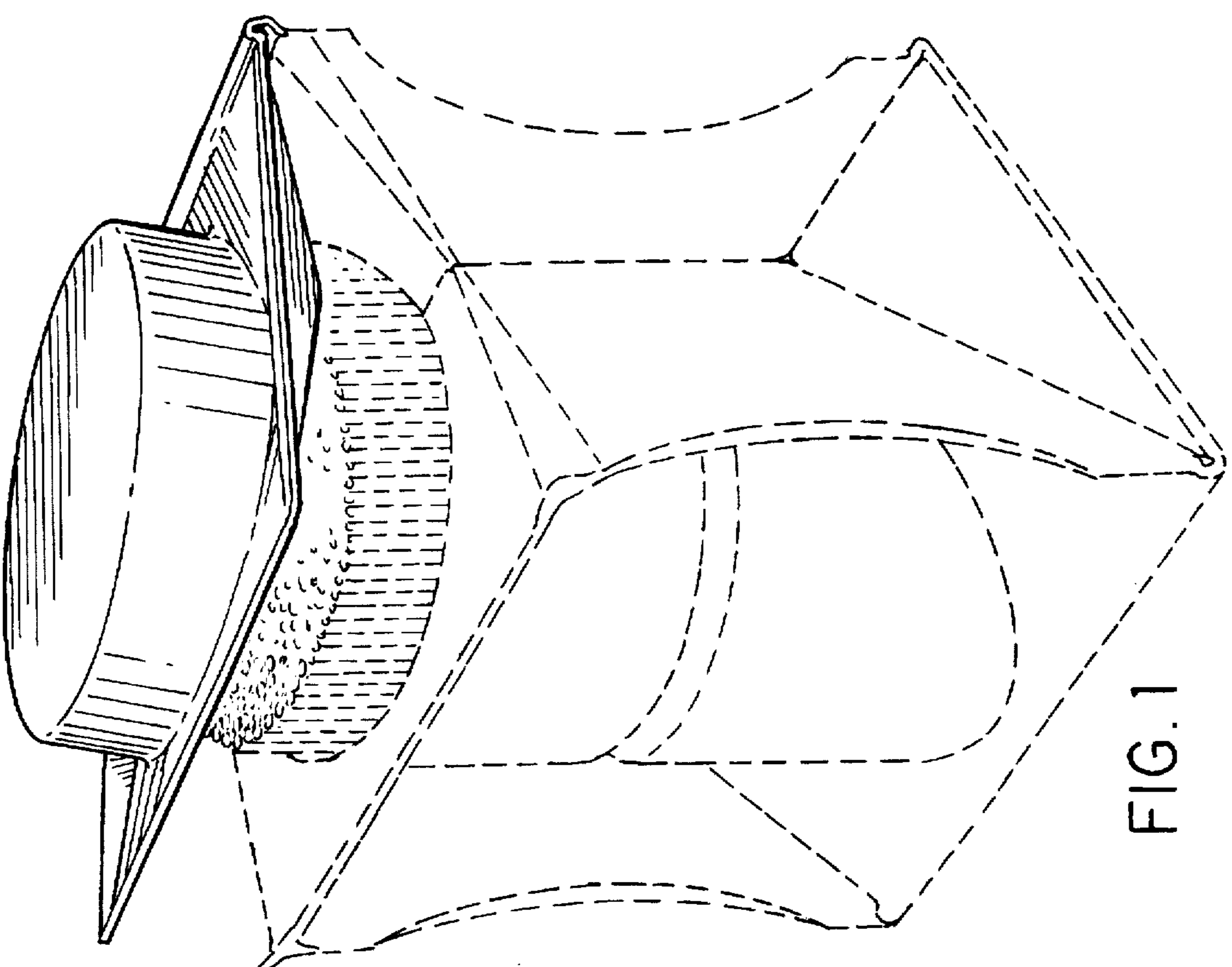


FIG. 1

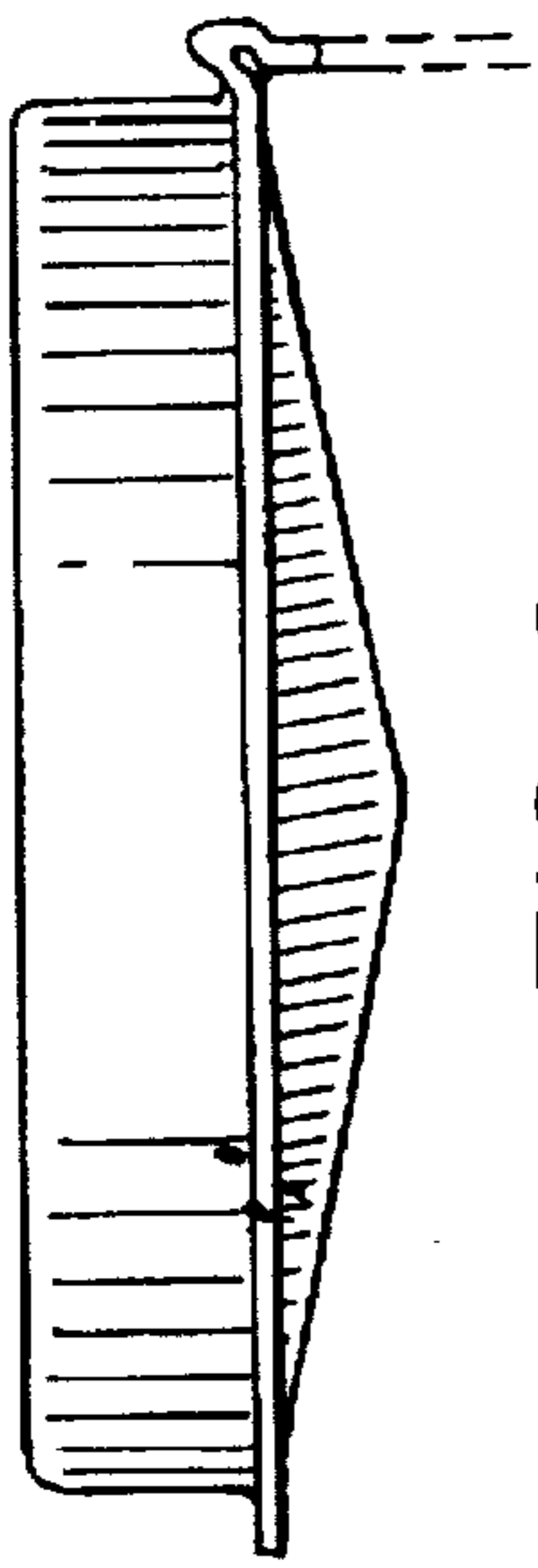


FIG. 6



FIG. 7

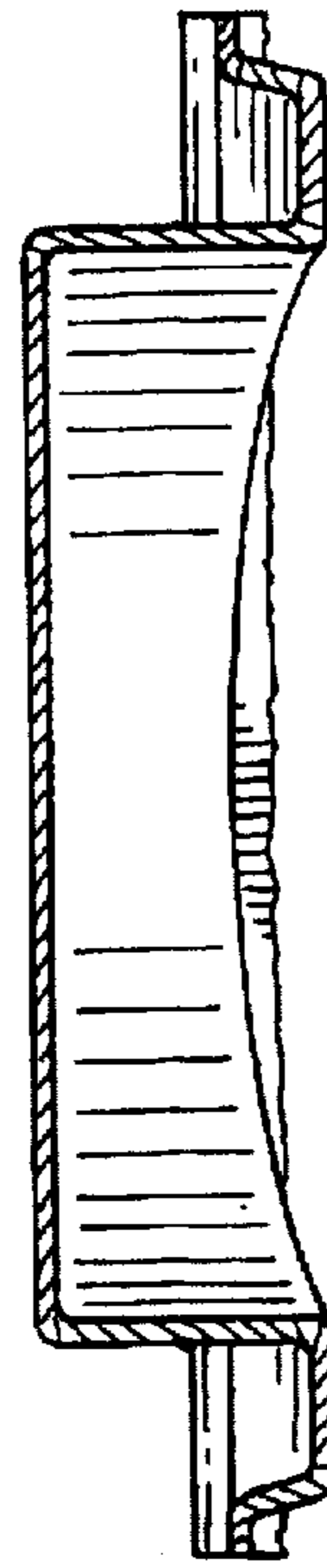


FIG. 8

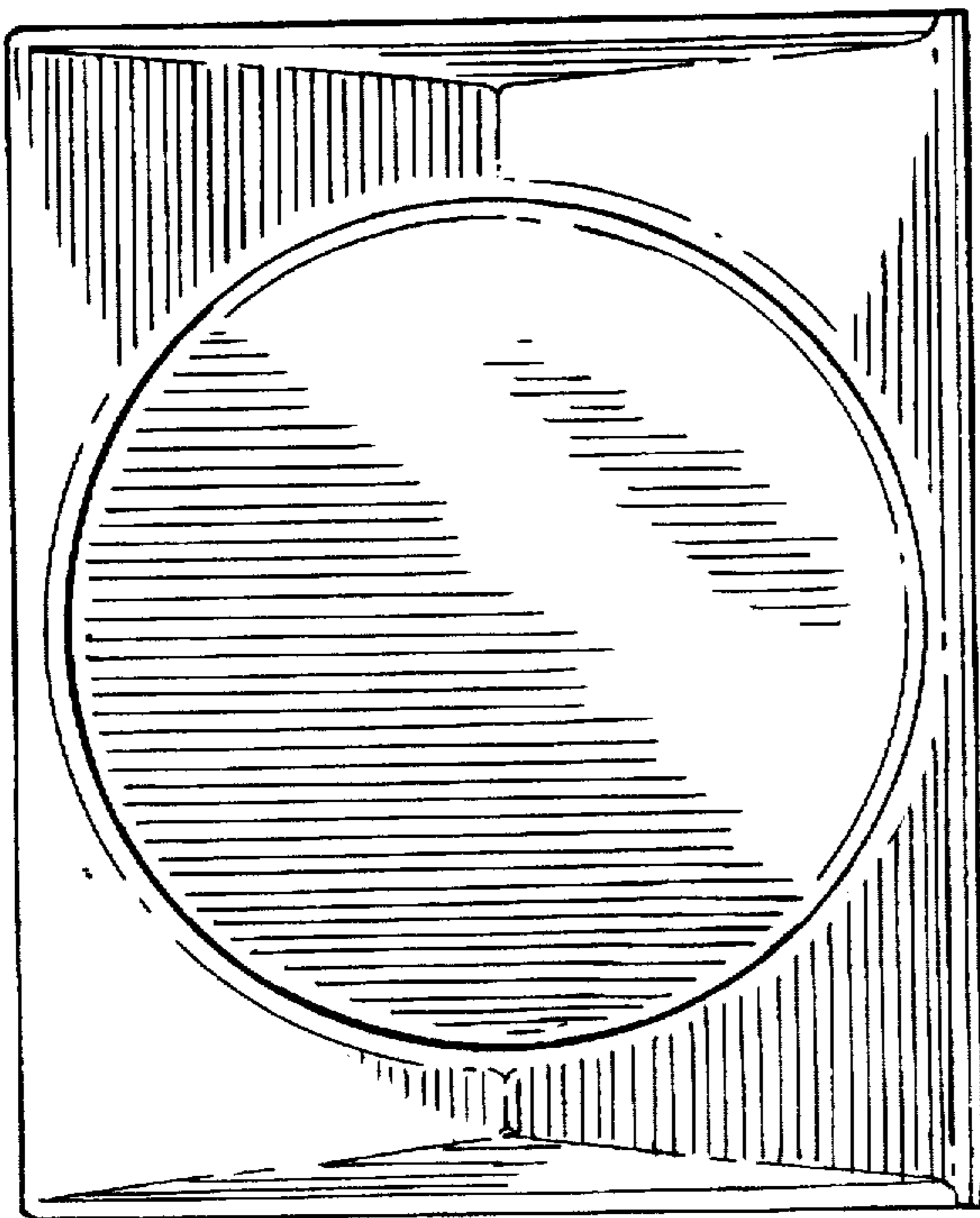


FIG. 4

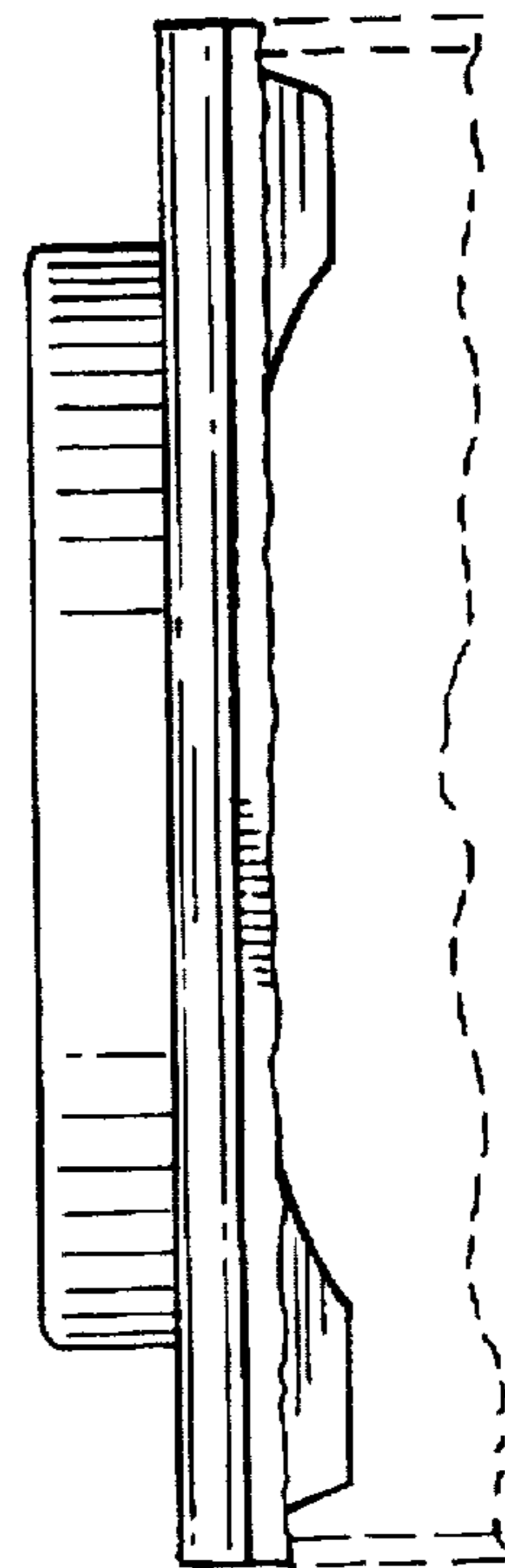


FIG. 5