



US00D397610S

United States Patent [19]
Cooper

[11] **Patent Number: Des. 397,610**
[45] **Date of Patent: **Sep. 1, 1998**

[54] **CONTAINER**

[75] **Inventor: Peter McRostie Cooper, Santiago, Chile**

[73] **Assignee: Typack S.A., Santiago, Chile**

[**] **Term: 14 Years**

[21] **Appl. No.: 59,672**

[22] **Filed: Aug. 21, 1996**

[51] **LOC (6) Cl. 09-07**

[52] **U.S. Cl. D9/425**

[58] **Field of Search D9/420-425, 432, D9/341; D3/201, 294; 220/669-675, DIG. 27, 623, 4.22, 4.23, 337, 339, 307, 326, 324, 334; 229/120, DIG. 14, 2.5 R, 902**

[56] **References Cited**

U.S. PATENT DOCUMENTS

D. 343,576	1/1994	Krupa	D9/423	X
D. 361,036	8/1995	Krupa	D9/423	X
D. 363,879	11/1995	Krupa et al.	D9/423	
3,837,526	9/1974	Medendorp	220/782	
4,723,700	2/1988	Wischusen, III	229/902	X
5,300,748	4/1994	Colombo	220/339	X
5,423,453	6/1995	Fritz	220/608	
5,456,379	10/1995	Krupa et al.	220/676	X

OTHER PUBLICATIONS

Packaging, p. 180, Jan. 1989.

Primary Examiner—Prabhakar G. Deshmukh
Attorney, Agent, or Firm—Spencer & Frank

[57] **CLAIM**

The ornamental design for a container, as shown and described.

DESCRIPTION

FIG. 1 is a top plan view of my new container design with the lid in the open position and showing the interior of my container;

FIG. 2 is a bottom plan view of the container of FIG. 1 with the lid in an open position;

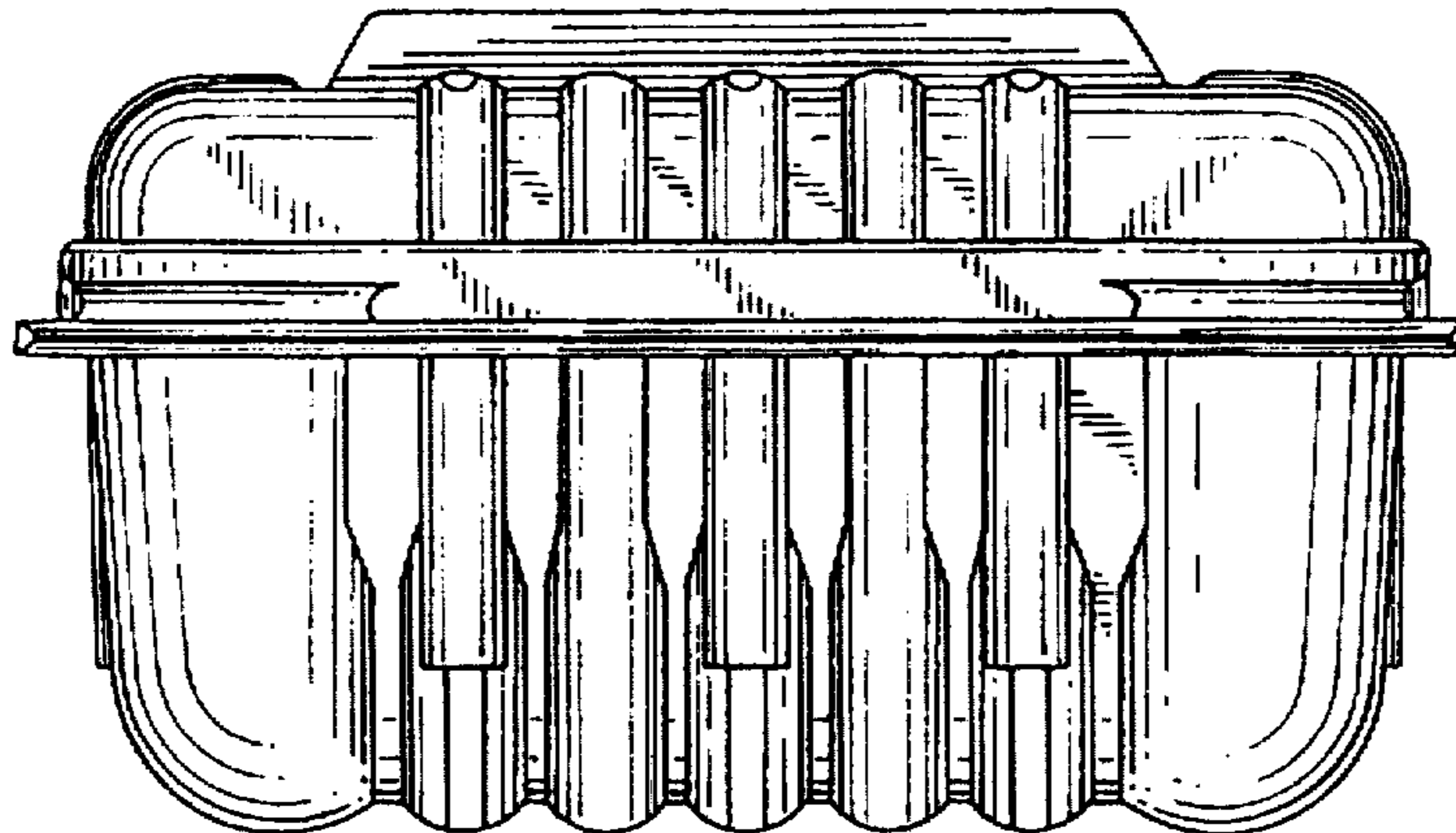
FIG. 3 is a side elevation of the container of FIG. 1 with the lid in an open position;

FIG. 4 is a front elevation of the container of FIG. 1 with the lid in the closed position;

FIG. 5 is a side elevation of the container of FIG. 1 with the lid in the closed position; and,

FIG. 6 is a longitudinal section of the container of FIG. 1 with the lid in an open position in the direction of the line 6-6 of FIG. 1.

1 Claim, 5 Drawing Sheets



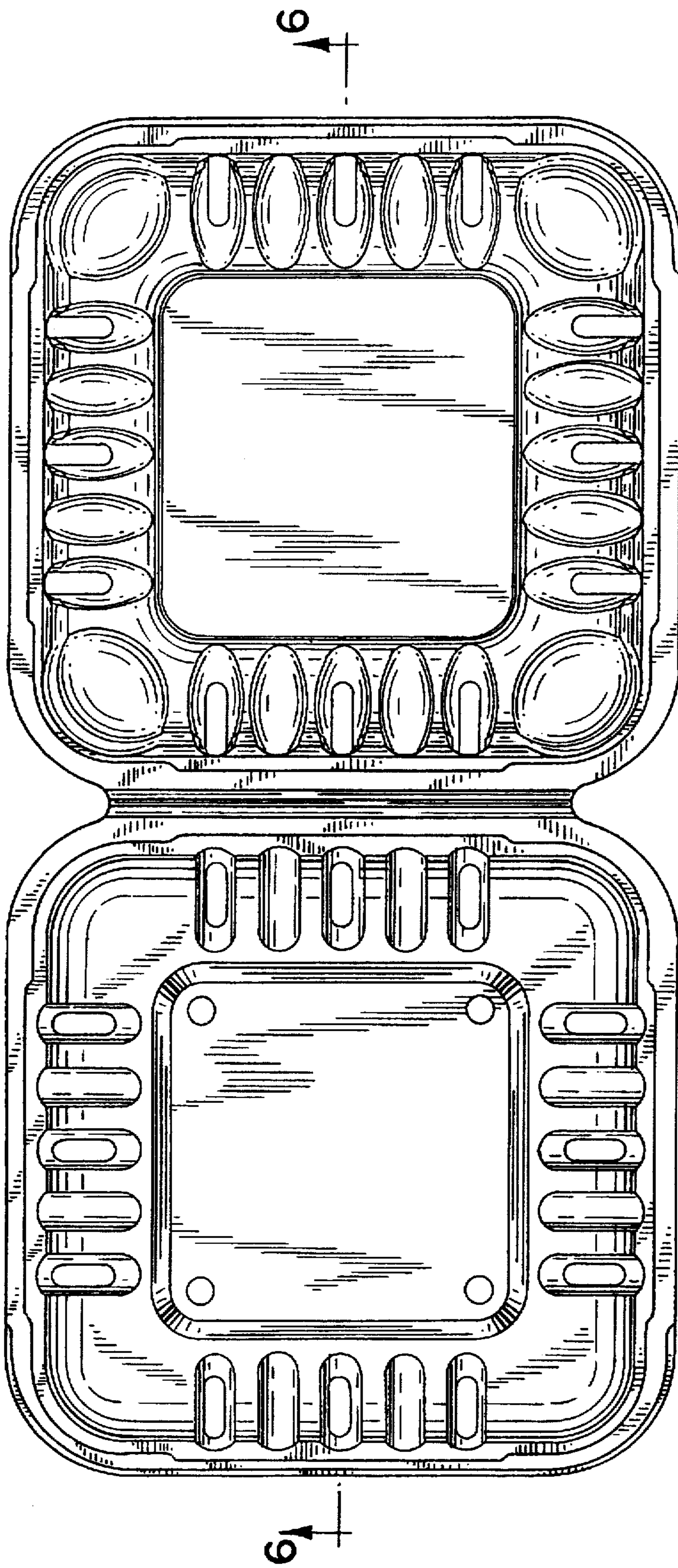


FIG. 1

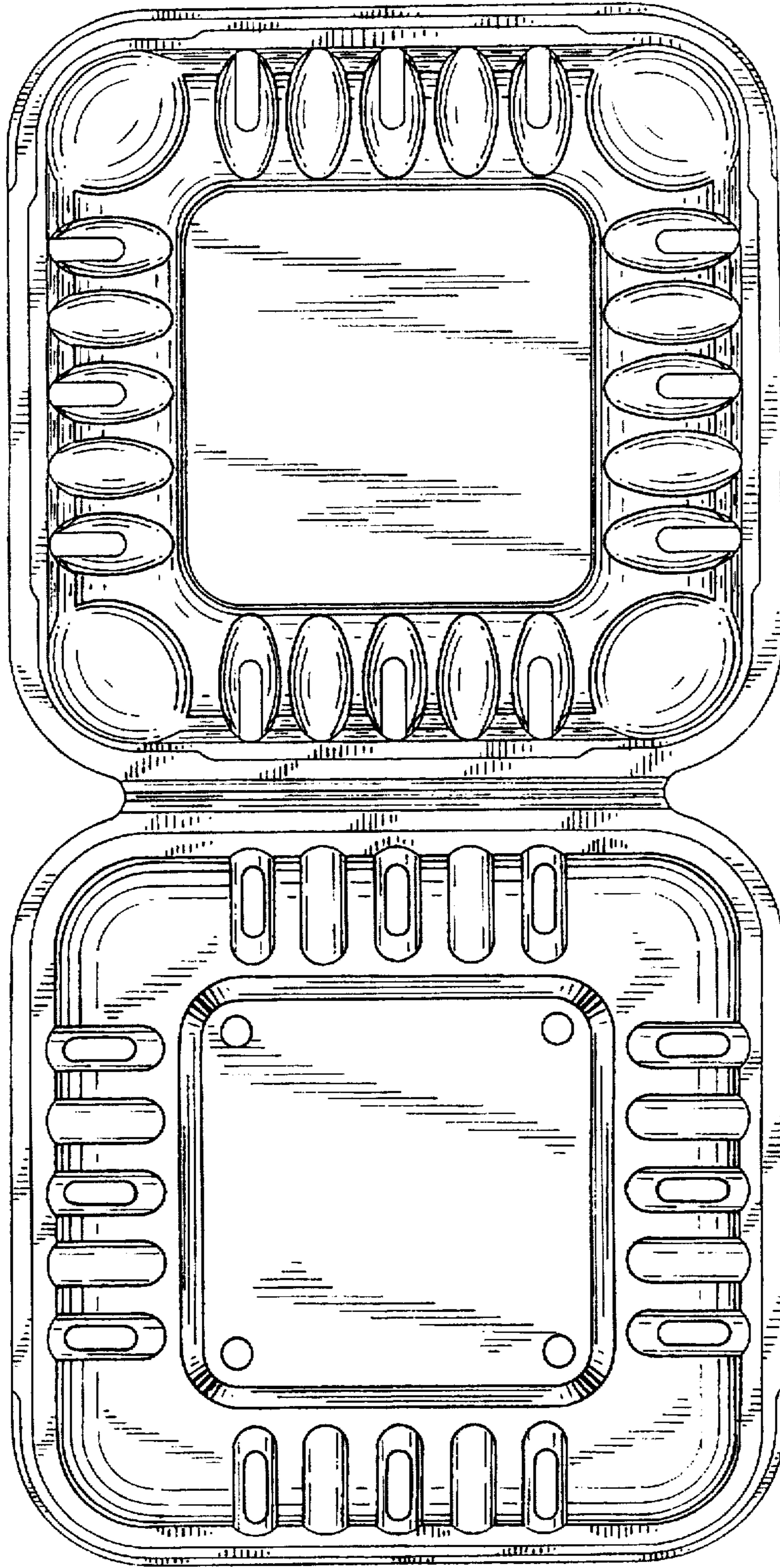


FIG. 2

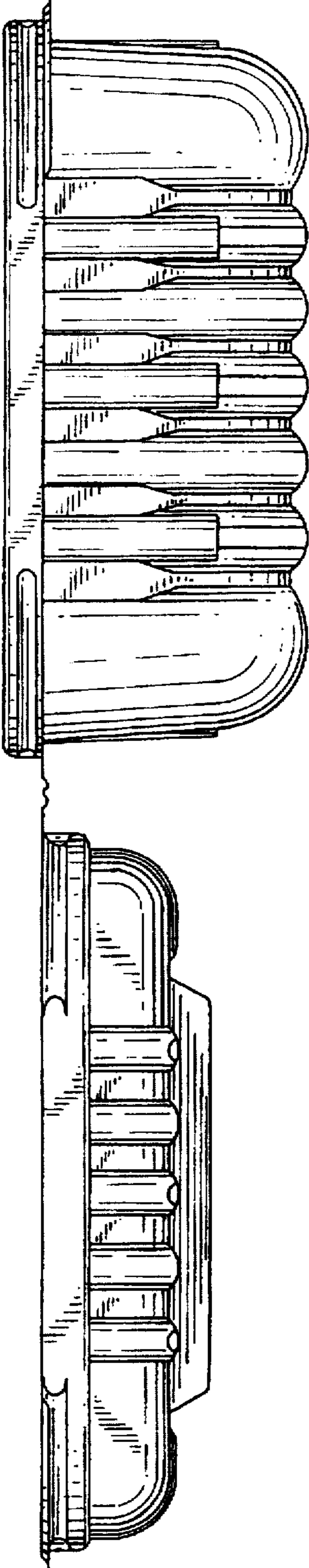


FIG. 3

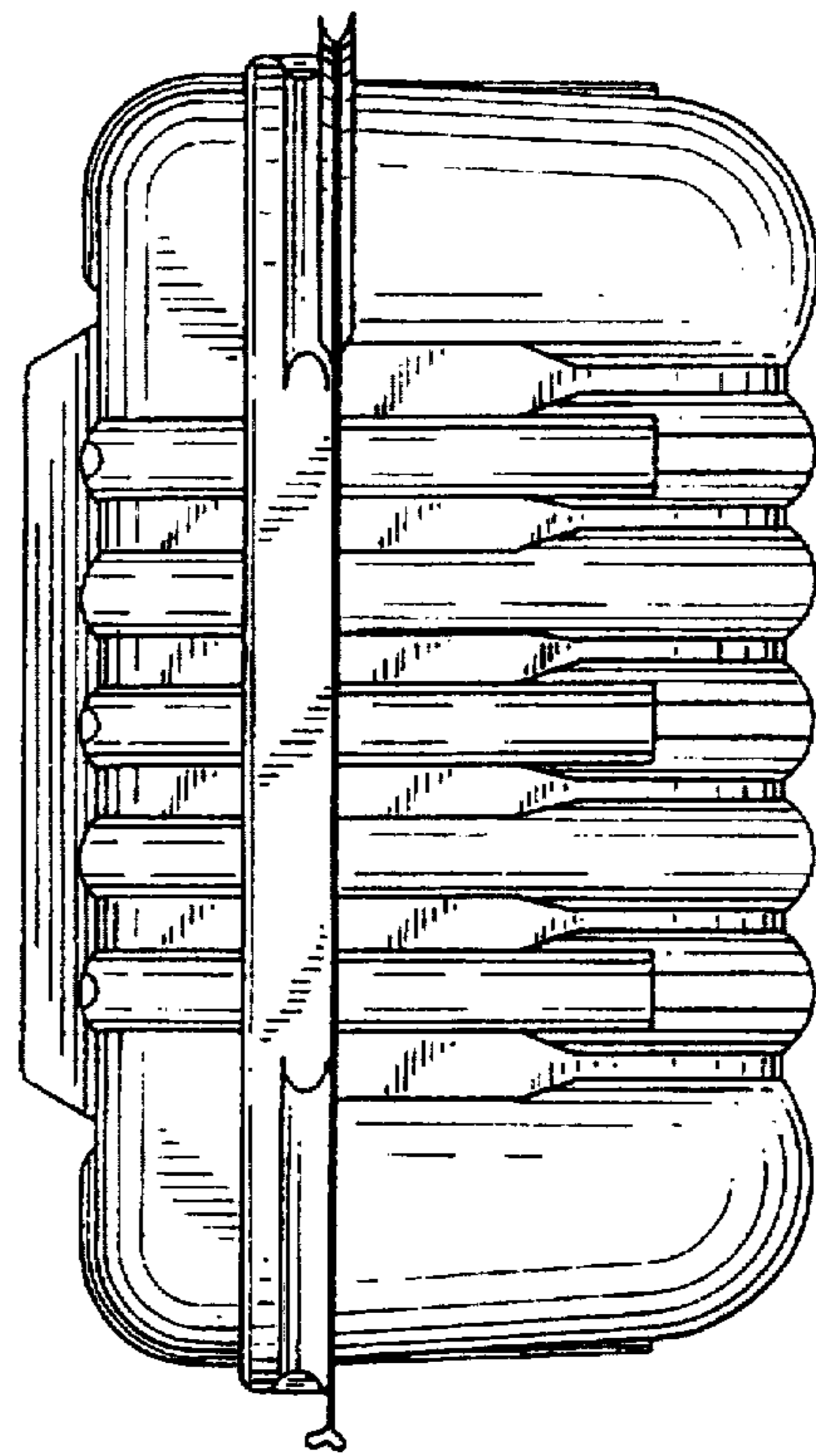


FIG. 5

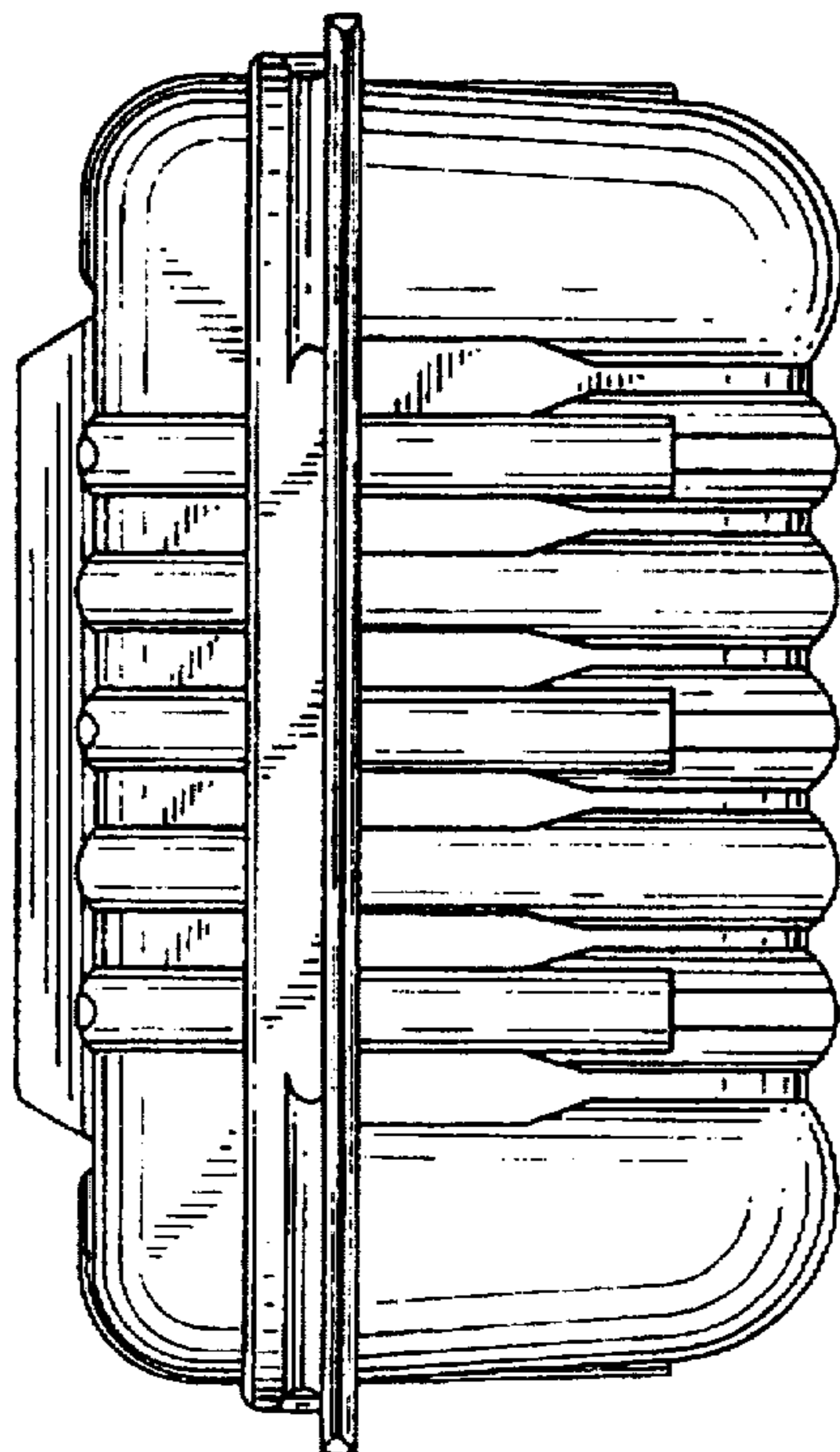


FIG. 4

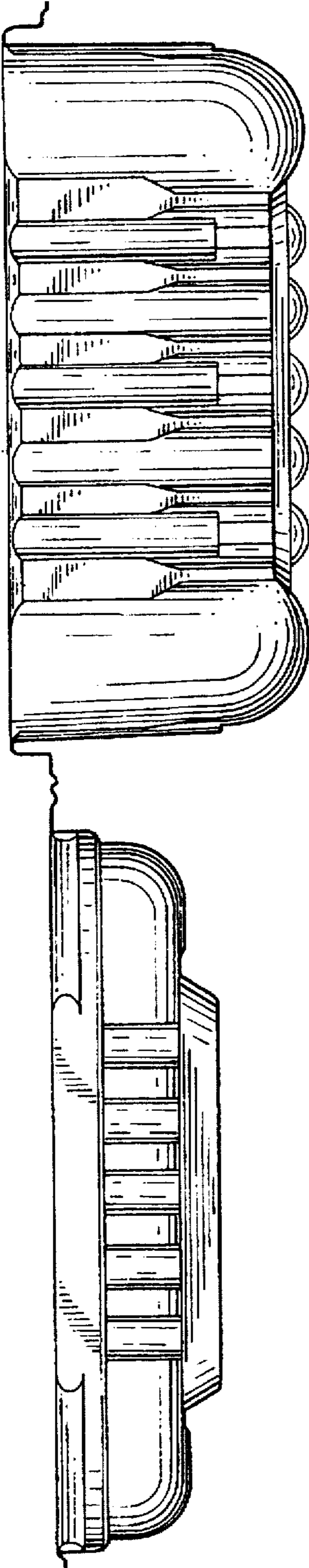


FIG. 6