



US00D397607S

United States Patent [19]

[11] Patent Number: **Des. 397,607**

Lawson

[45] Date of Patent: ****Sep. 1, 1998**

[54] **SUPPLEMENTAL RESTRAINT SYSTEM (SRS) ANTI-THEFT FASTENER**

Plastiglide Glides, Caps & Closures Cat. 5D; p. 13; Closure Style II.

[75] Inventor: **William R. Lawson**, Glenside, Pa.

Primary Examiner—B. J. Bullock
Attorney, Agent, or Firm—Volpe and Koenig, P.C.

[73] Assignee: **R & B, Inc.**, Colmar, Pa.

[**] Term: **14 Years**

[57] CLAIM

[21] Appl. No.: **51,953**

The ornamental design for a supplemental restraint system (SRS) anti-theft fastener, as shown and described.

[22] Filed: **Mar. 20, 1996**

DESCRIPTION

[51] LOC (6) Cl. **08-08**

FIG. 1 is a perspective view of a supplemental restraint system anti-theft fastener;

[52] U.S. Cl. **D8/397**

FIG. 2 is a front elevational view thereof;

[58] Field of Search D8/387, 397; 411/378,

FIG. 3 is a left side elevational view thereof;

411/402, 427, 366, 367, 911, 418, 178

FIG. 4 is a right side elevational view thereof;

[56] References Cited

FIG. 5 is a top plan view thereof;

U.S. PATENT DOCUMENTS

FIG. 6 is a bottom plan view thereof;

D. 186,408	10/1959	Schramm	D8/397
D. 243,154	1/1977	Dieme	D8/397
1,915,630	6/1933	Tichenor	411/366
1,925,667	9/1933	Kirton	411/911
1,955,980	4/1934	Sinclair	411/402
2,932,898	4/1960	Enders	411/418
3,106,862	10/1963	Briles	D8/387
3,241,408	3/1966	McCauley	81/71
4,285,255	8/1981	Winfrey	81/451
4,618,299	10/1986	Bainbridge et al.	411/374
4,648,293	3/1987	McCauley	81/436
4,664,000	5/1987	Bainbridge	81/451
5,598,753	2/1997	Lee	411/911

FIG. 7 is a rear elevational view thereof;

FIG. 8 is a perspective view of a second embodiment of a supplemental restraint system anti-theft fastener;

FIG. 9 is a front elevational view thereof;

FIG. 10 is a left side elevational view thereof;

FIG. 11 is a right side elevational view thereof;

FIG. 12 is a top plan view thereof;

FIG. 13 is a bottom plan view thereof;

FIG. 14 is a rear elevational view thereof;

FIG. 15 is a perspective view of a third embodiment of a supplemental restraint system anti-theft fastener;

FIG. 16 is a front elevational view thereof;

FIG. 17 is a left side elevational view thereof;

FIG. 18 is a right side elevational view thereof;

FIG. 19 is a top plan view thereof;

FIG. 20 is a bottom plan view thereof; and,

FIG. 21 is a rear elevational view thereof.

FOREIGN PATENT DOCUMENTS

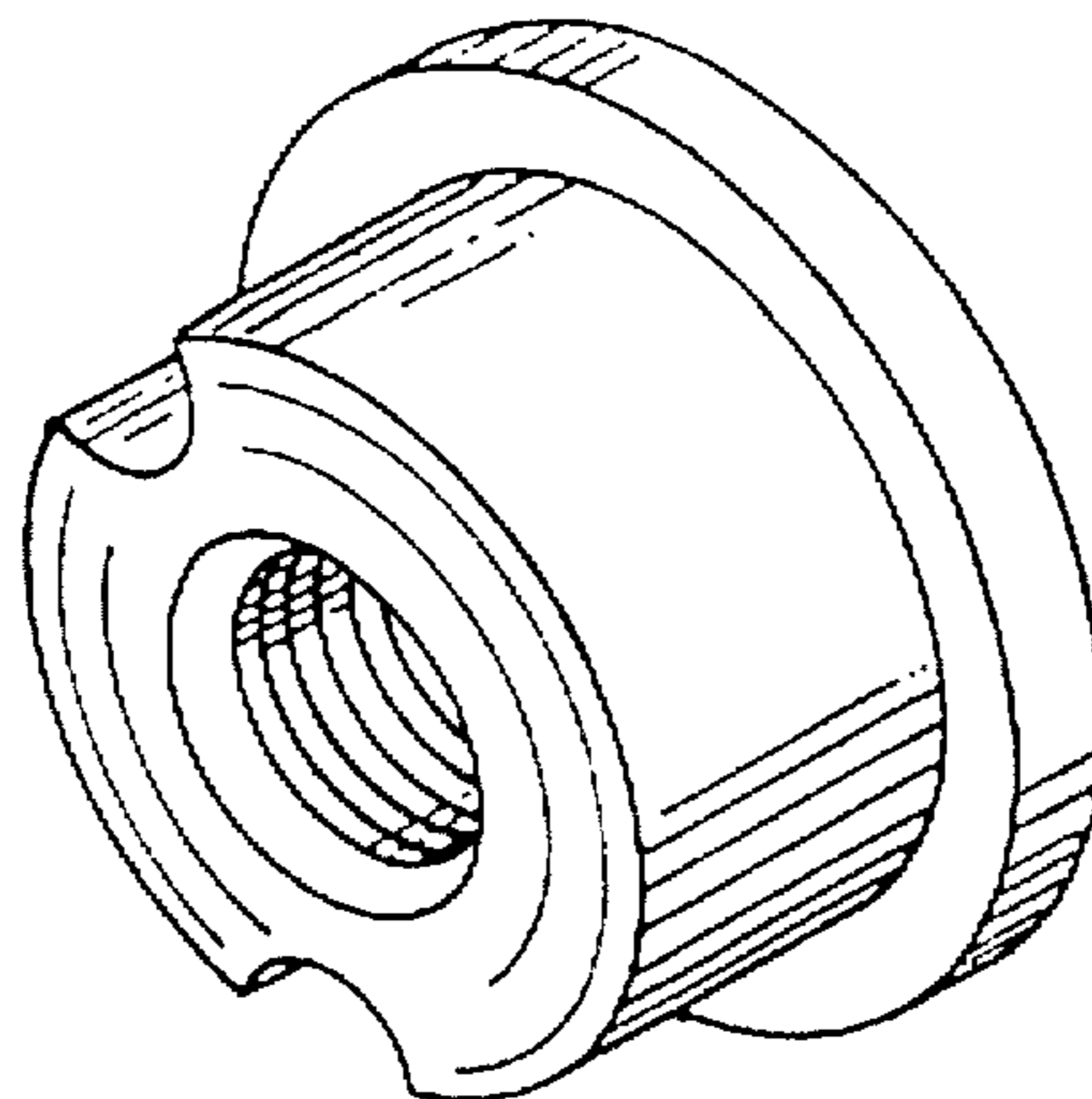
1500928	8/1969	Germany	411/178
138281	2/1920	United Kingdom	411/402

OTHER PUBLICATIONS

Richco Plastic Catalog; p. 28. Screw insulator, Mar. 21, 1979.

Product Components Corp. bulletin No. 200; element (top center).

1 Claim, 3 Drawing Sheets



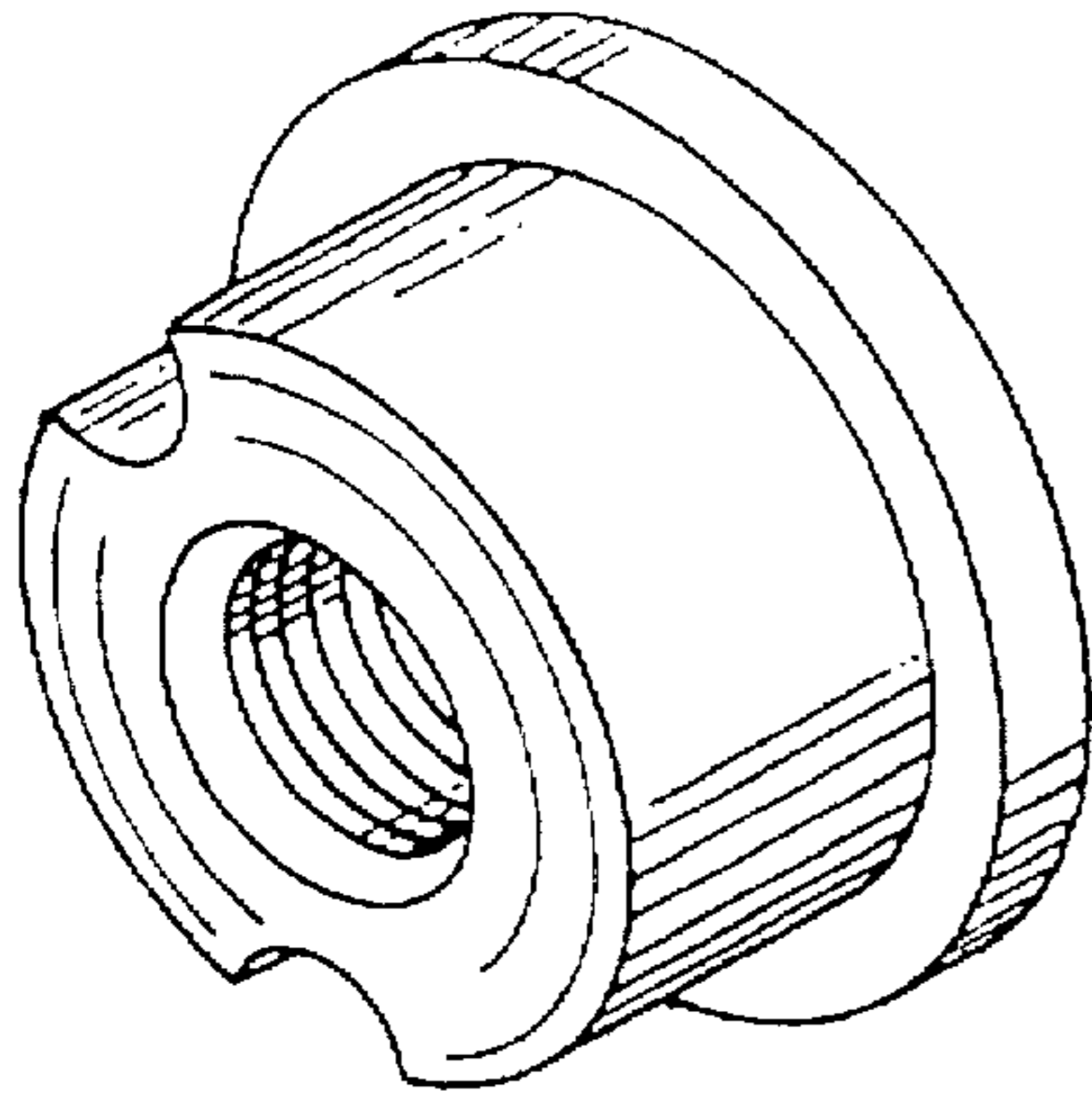


Fig. 1

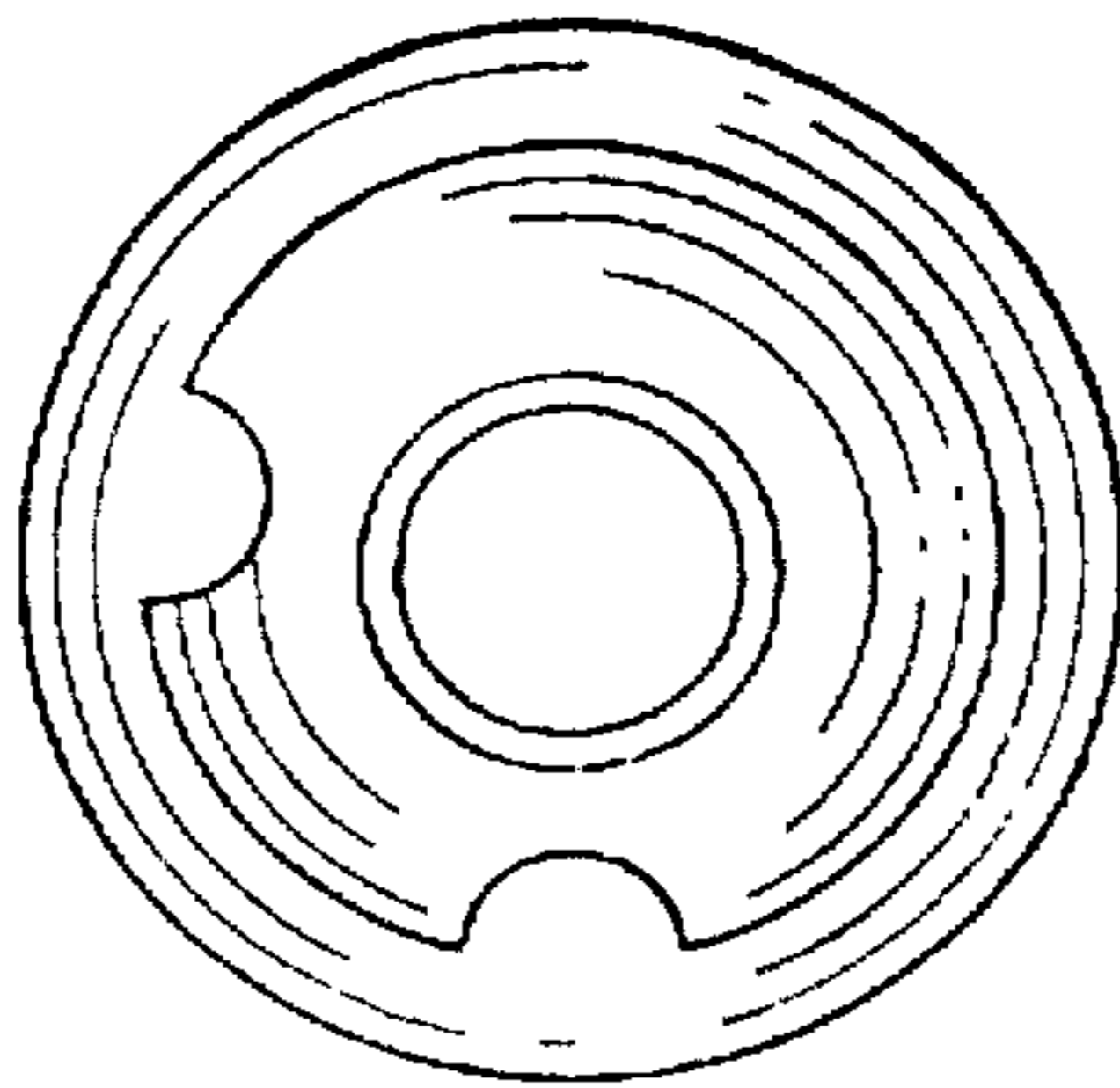


Fig. 5

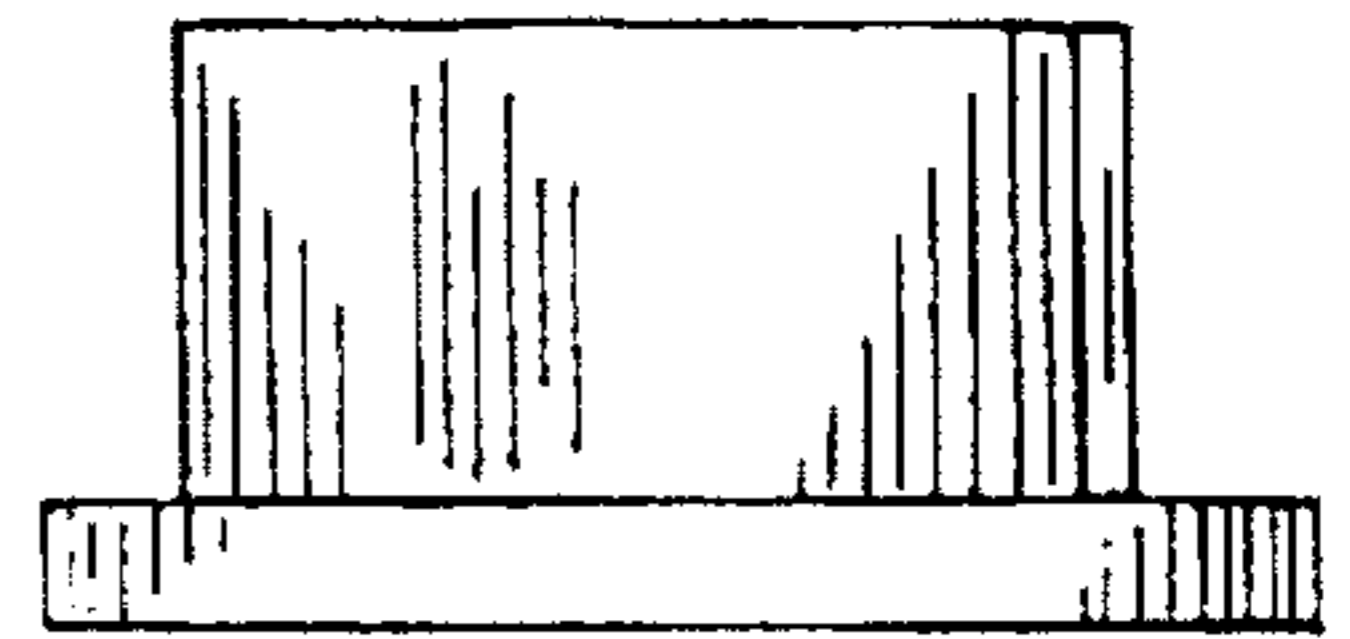


Fig. 7

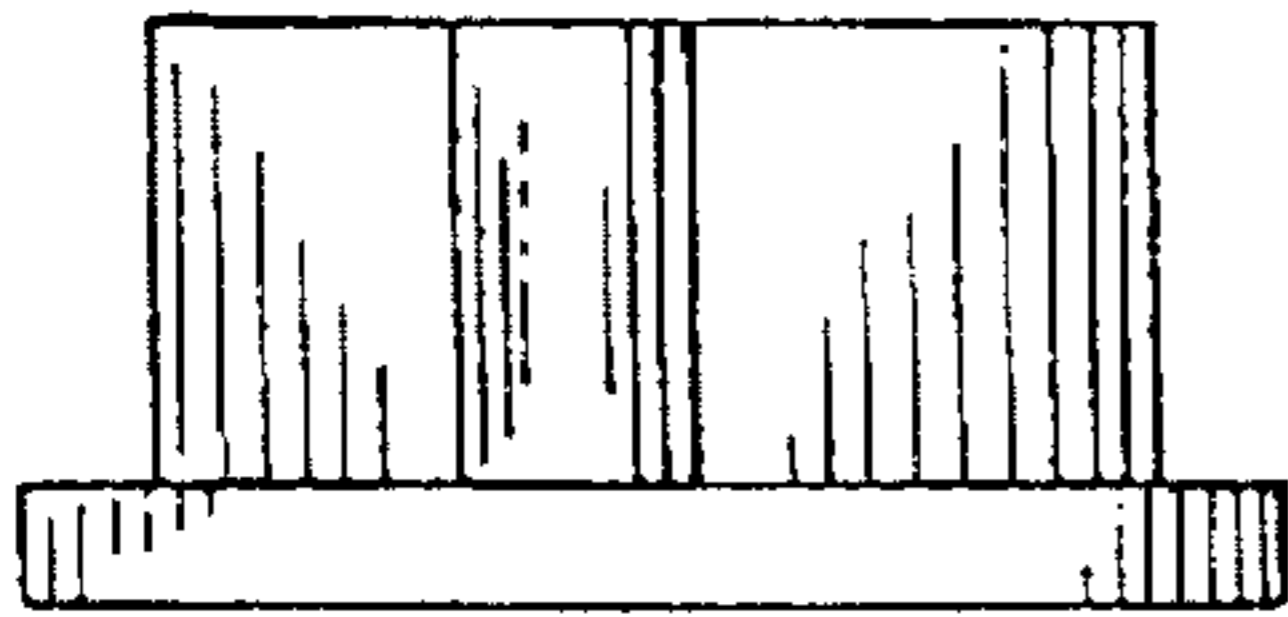


Fig. 3

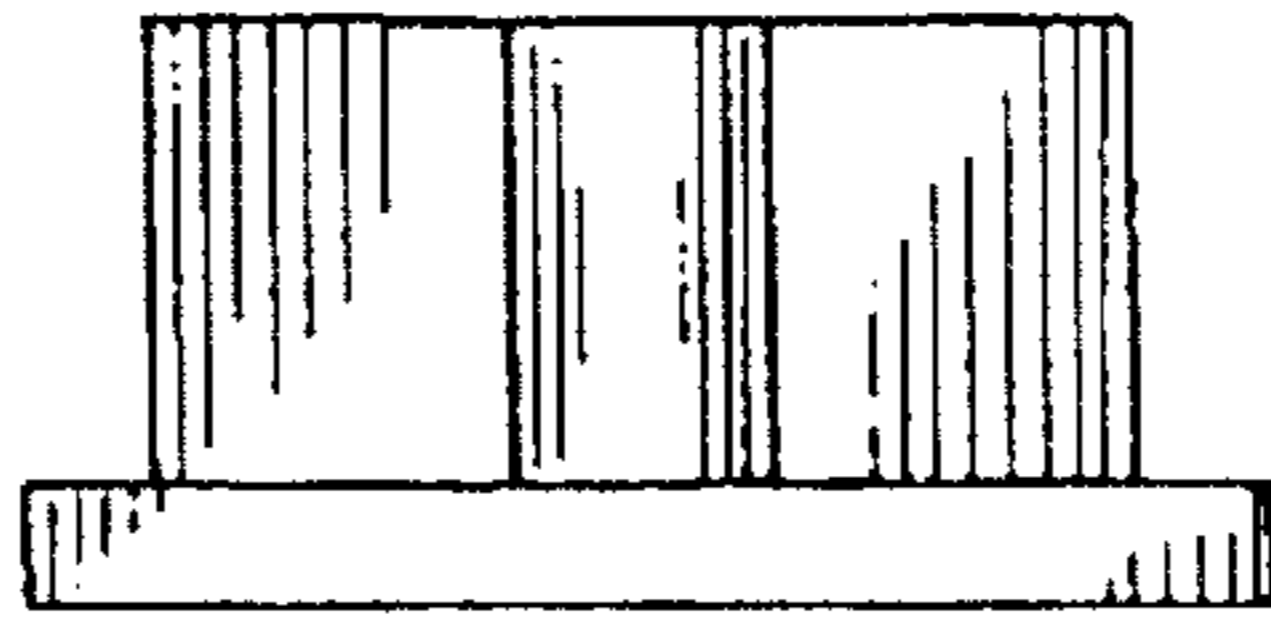


Fig. 2

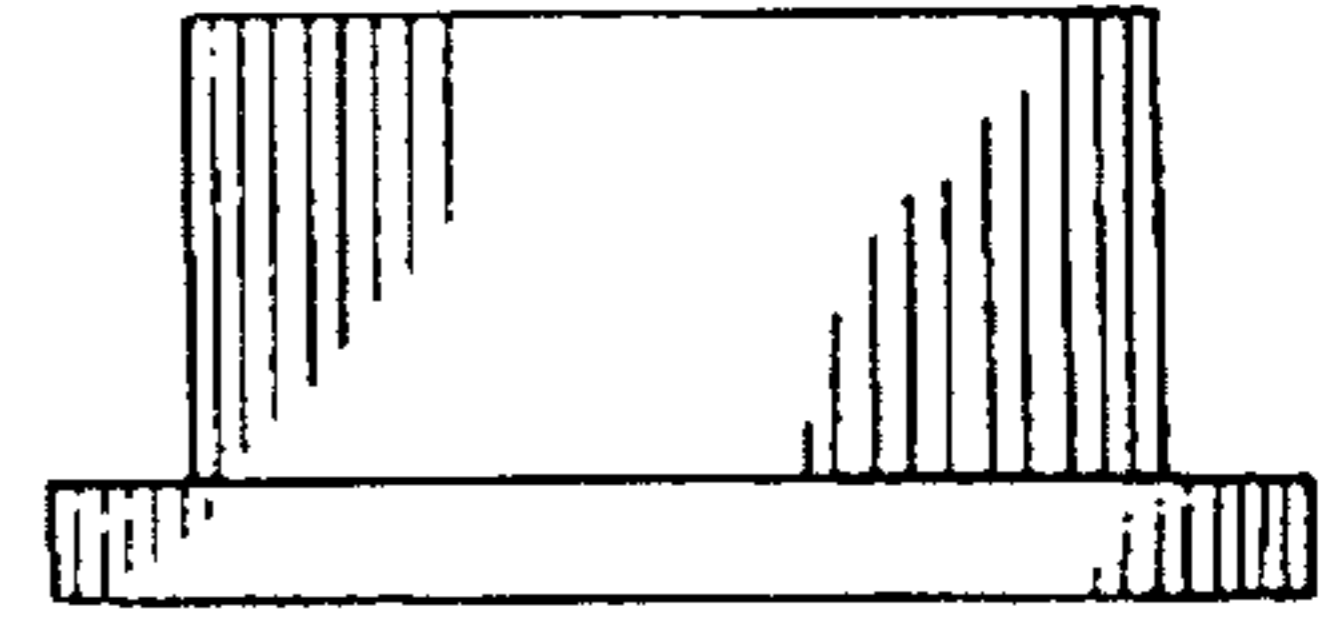


Fig. 4

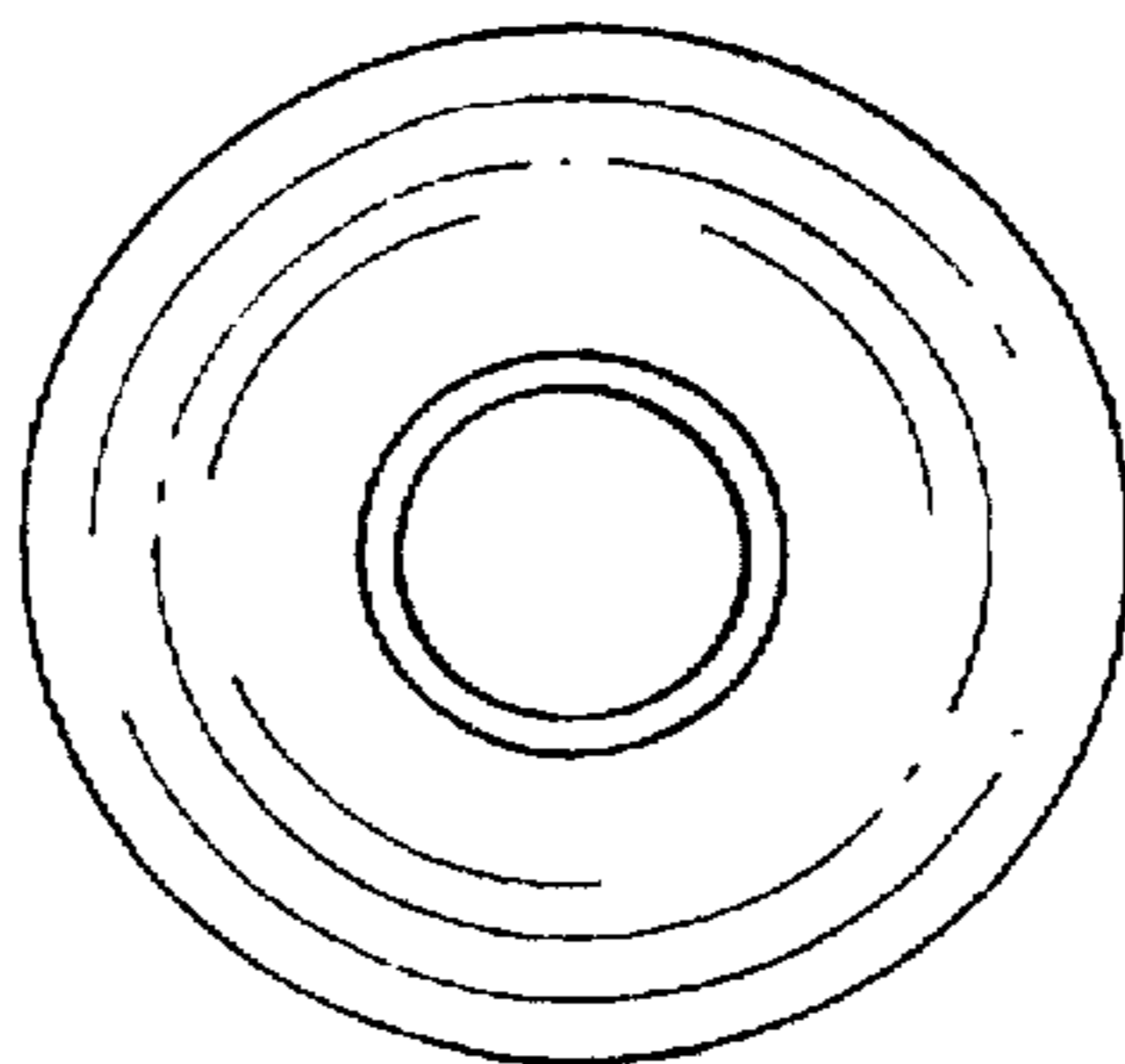


Fig. 6

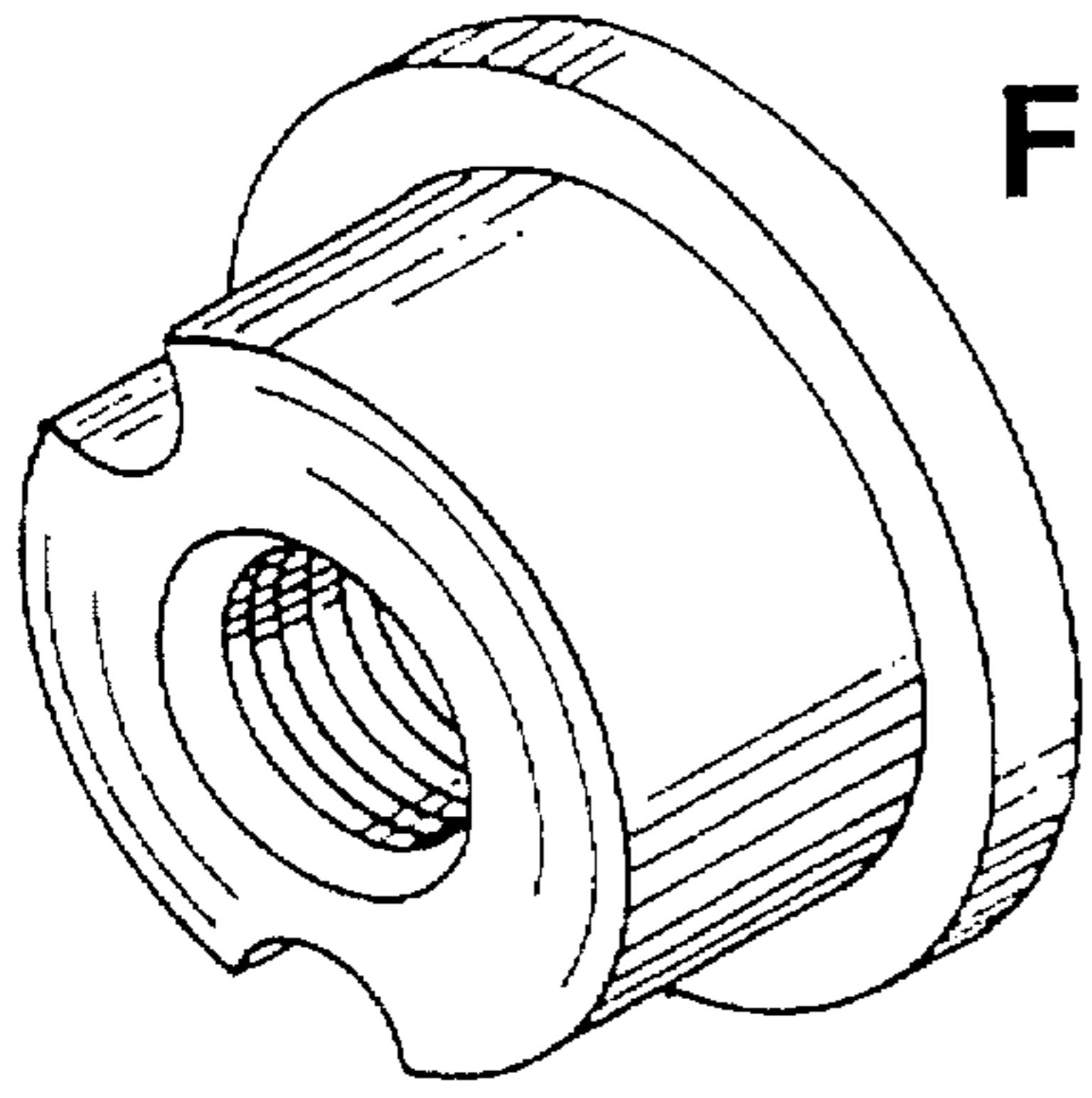


Fig. 8

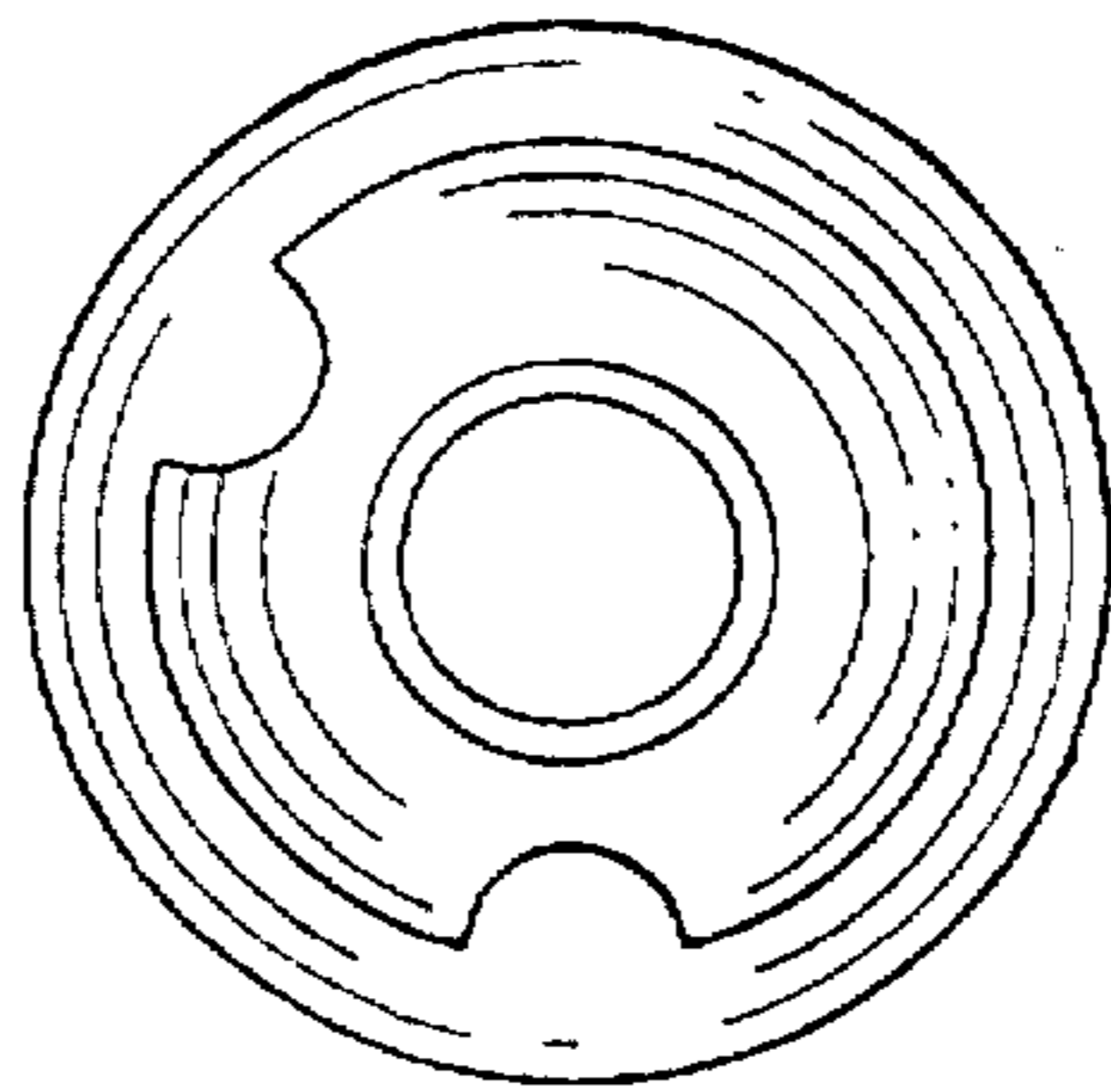


Fig 12

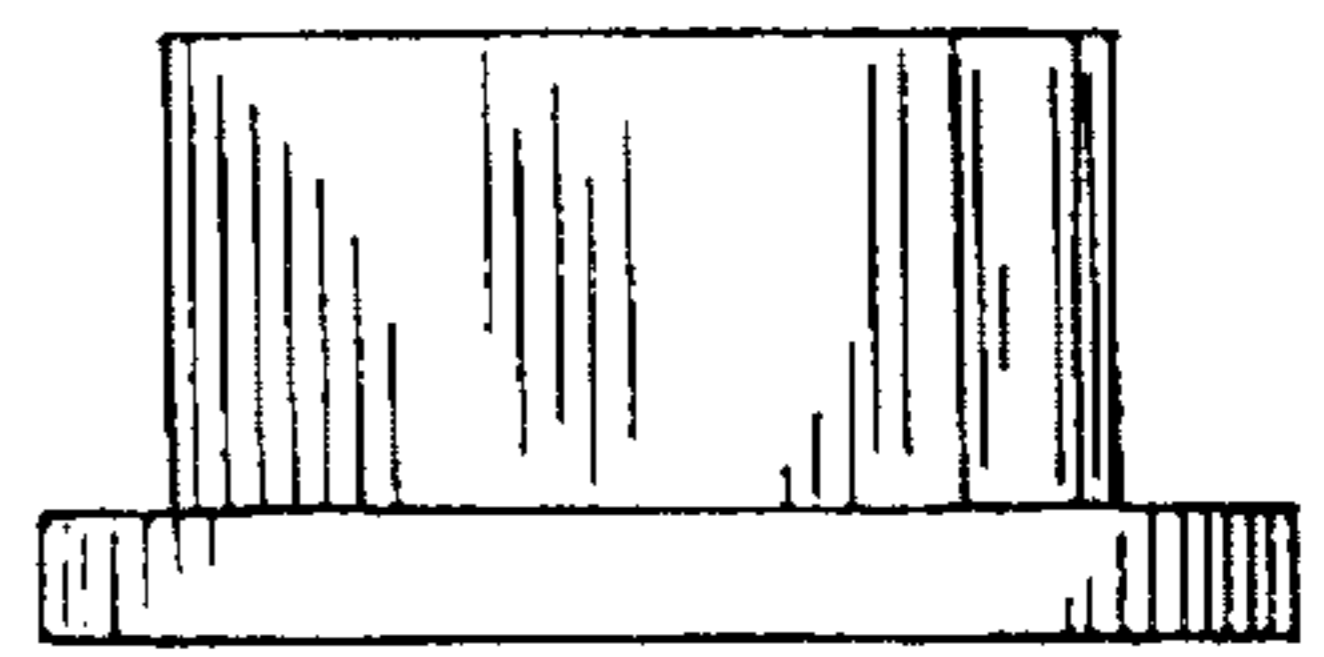


Fig. 14

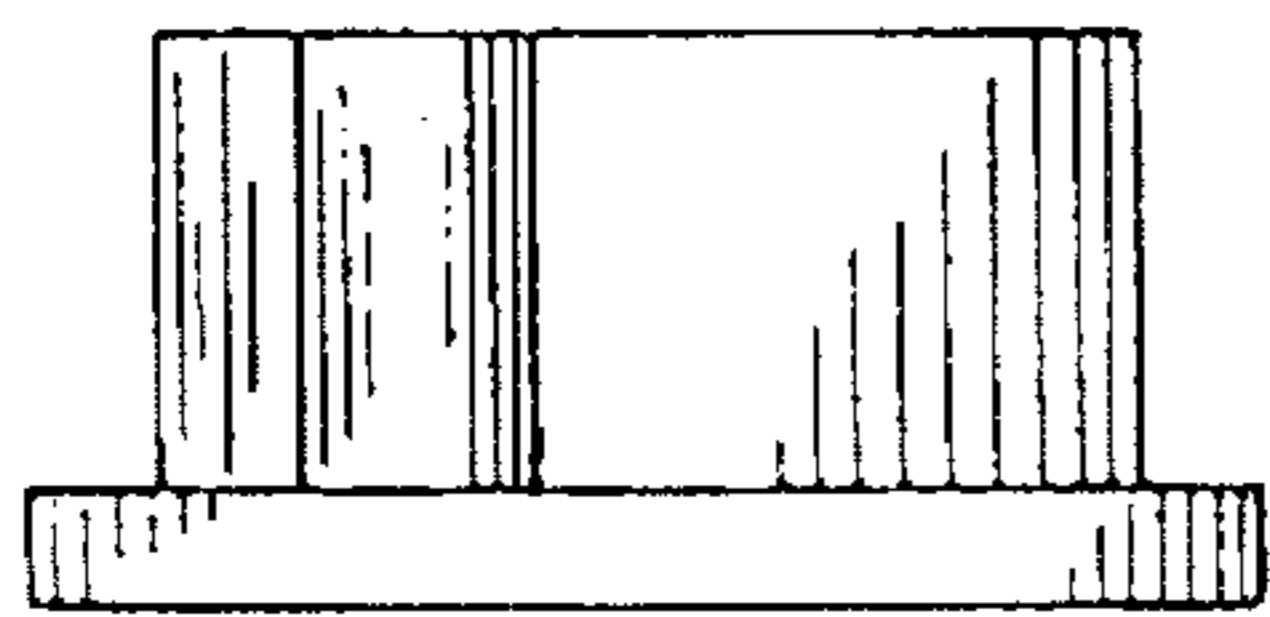


Fig 10

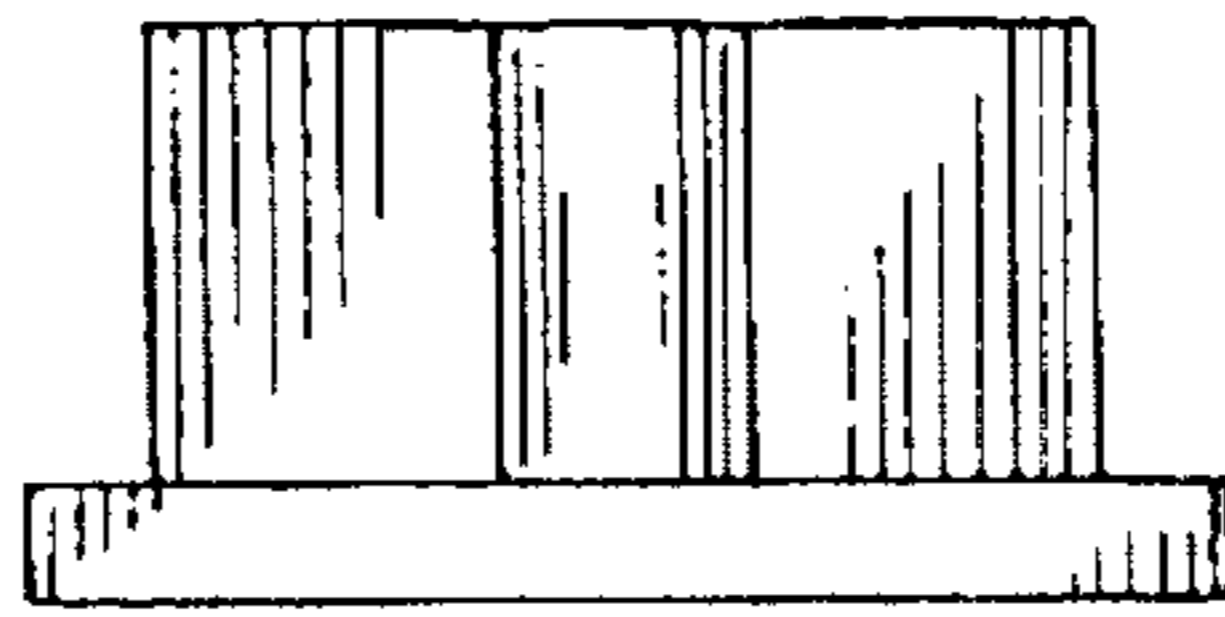


Fig. 9

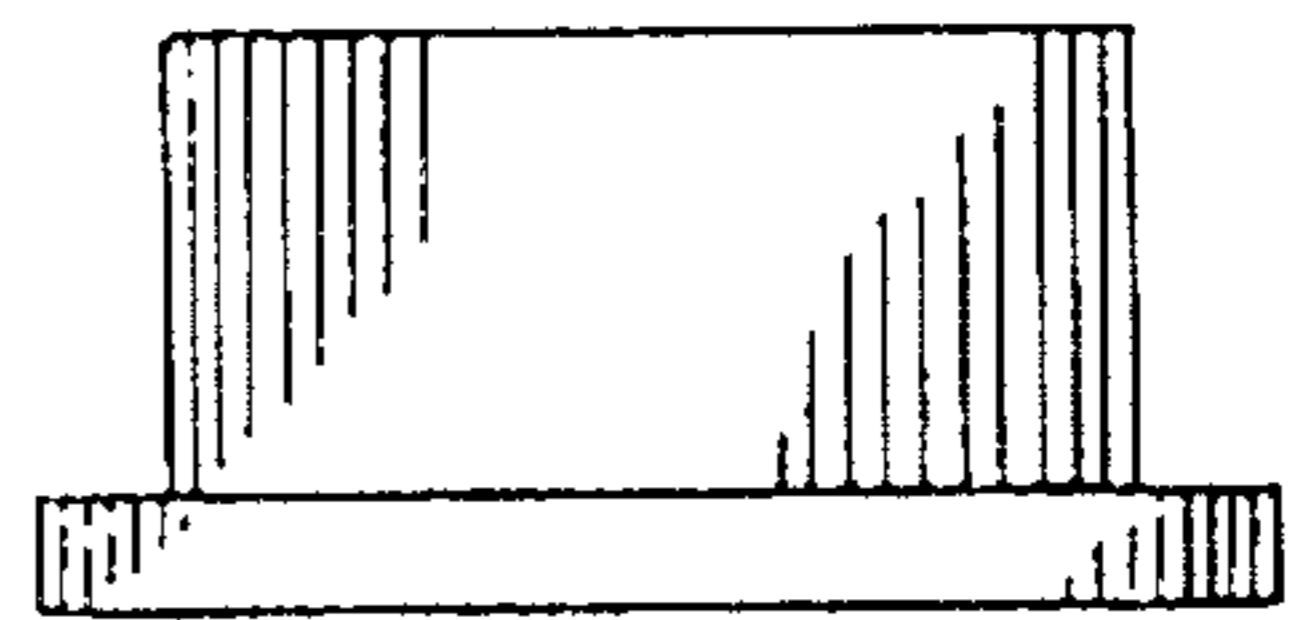


Fig. 11

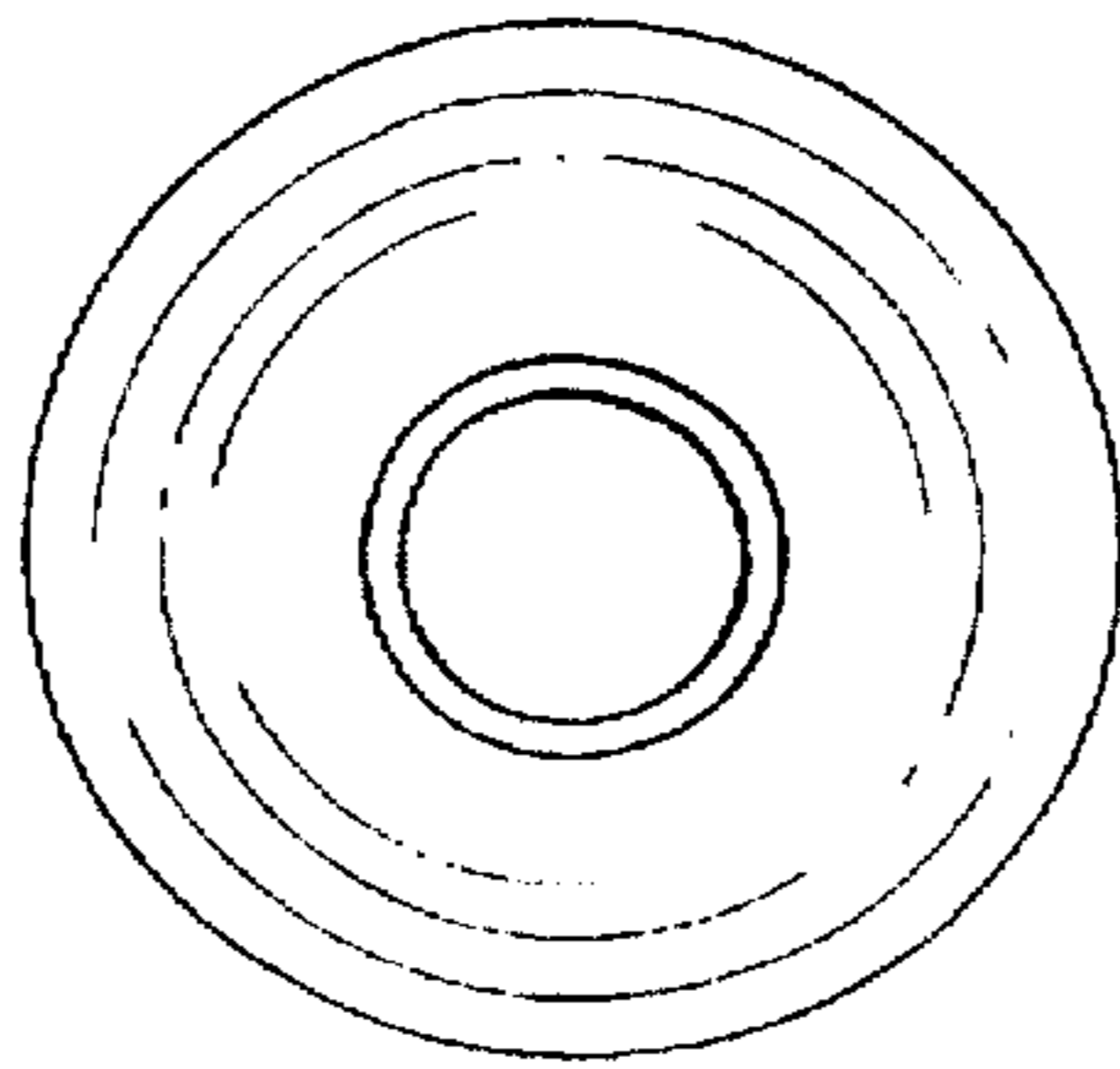


Fig. 13

Fig. 15

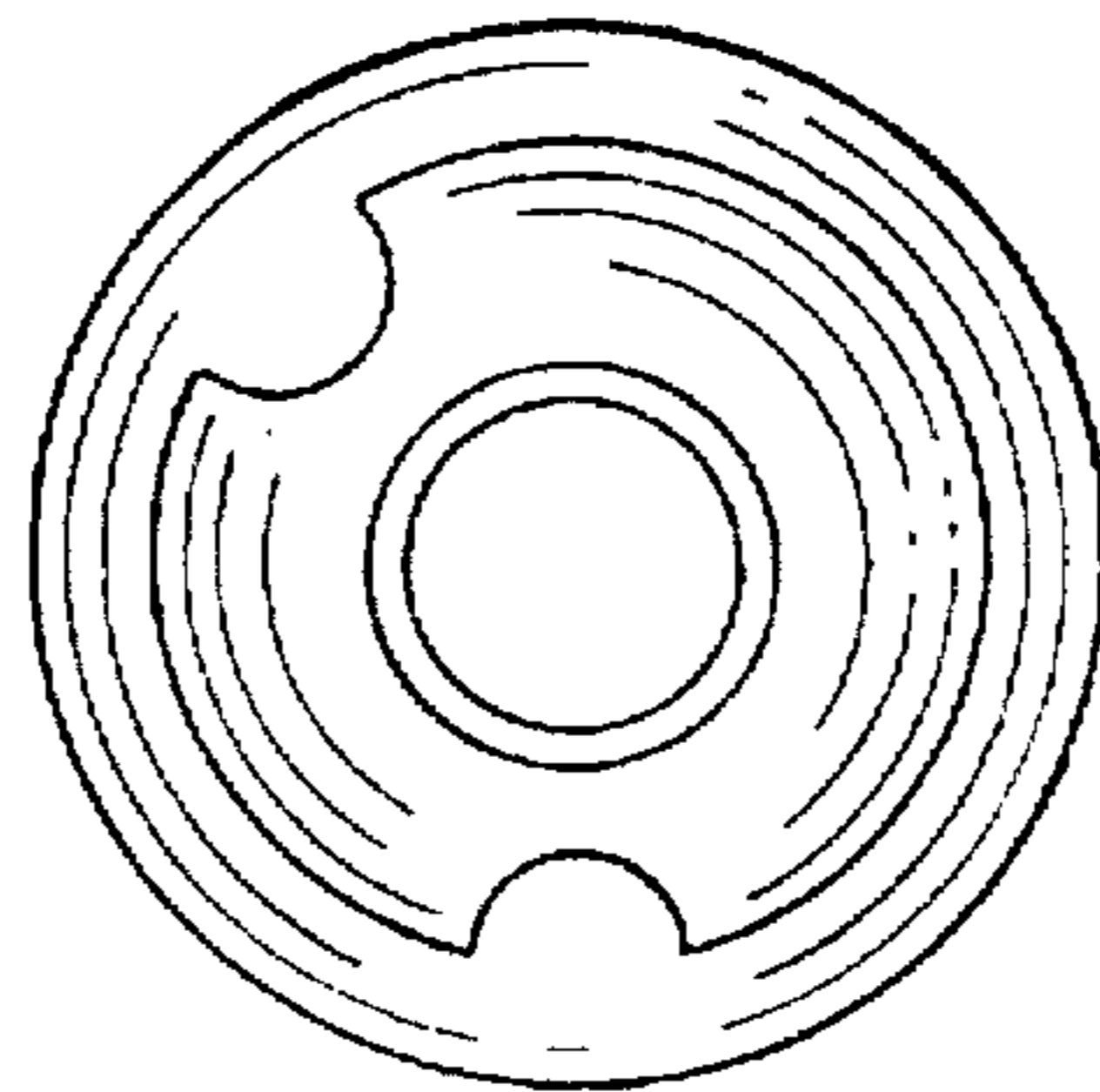
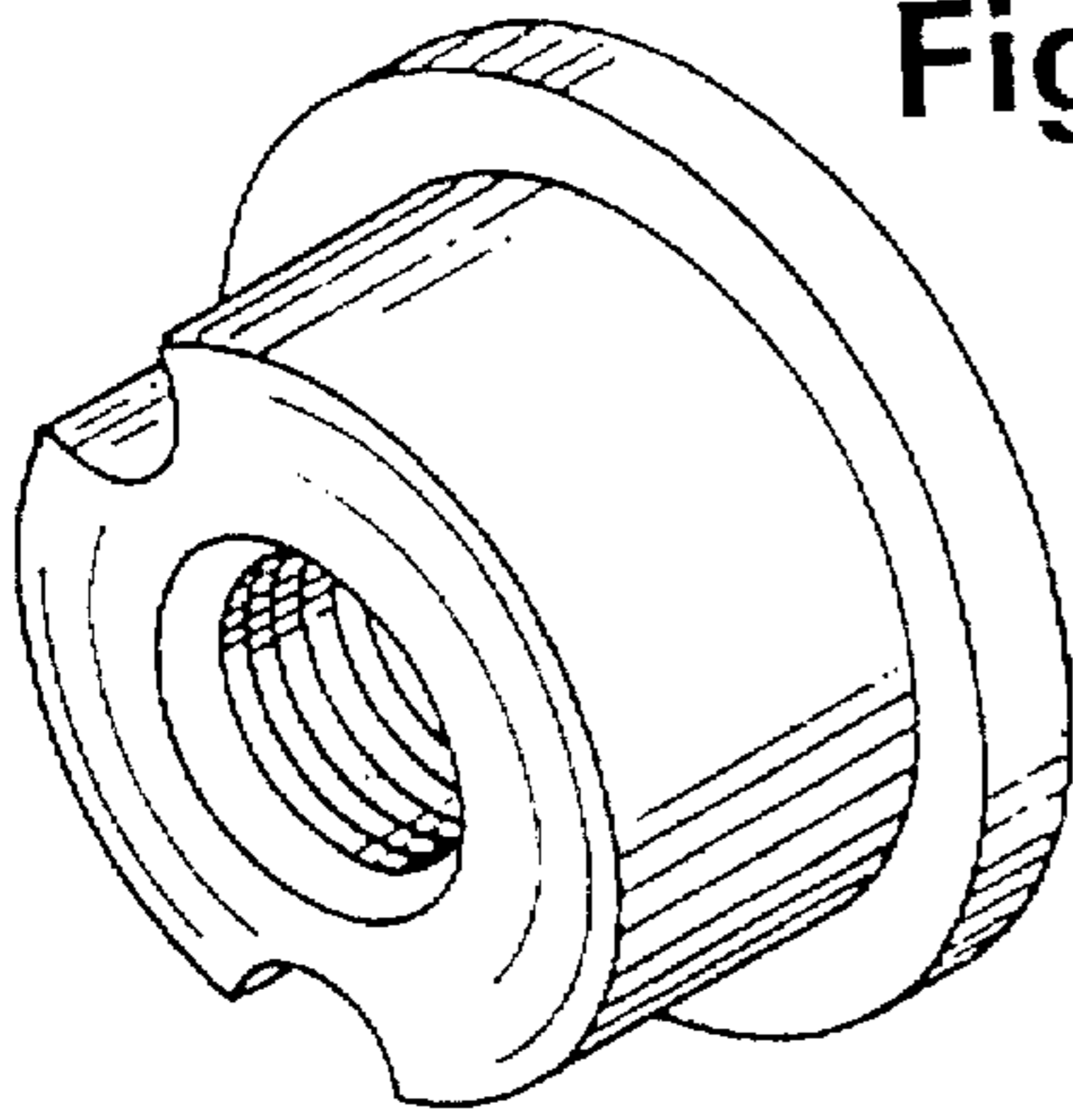


Fig. 19

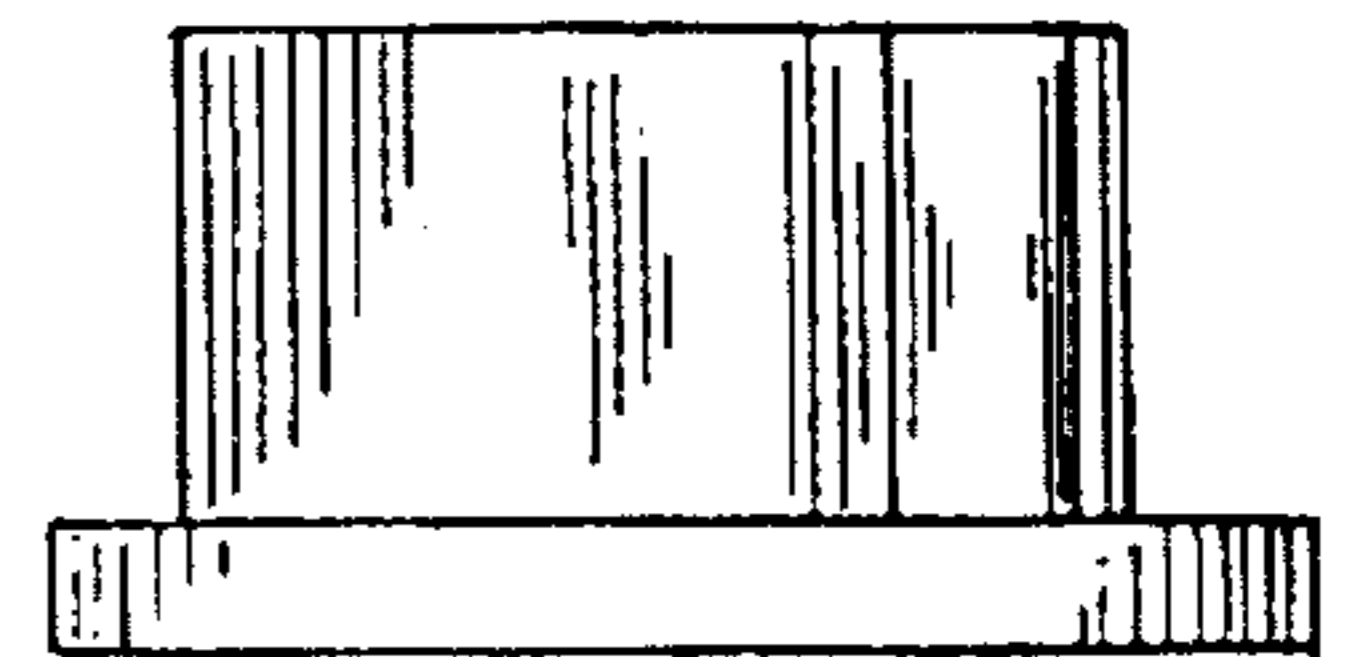


Fig. 21

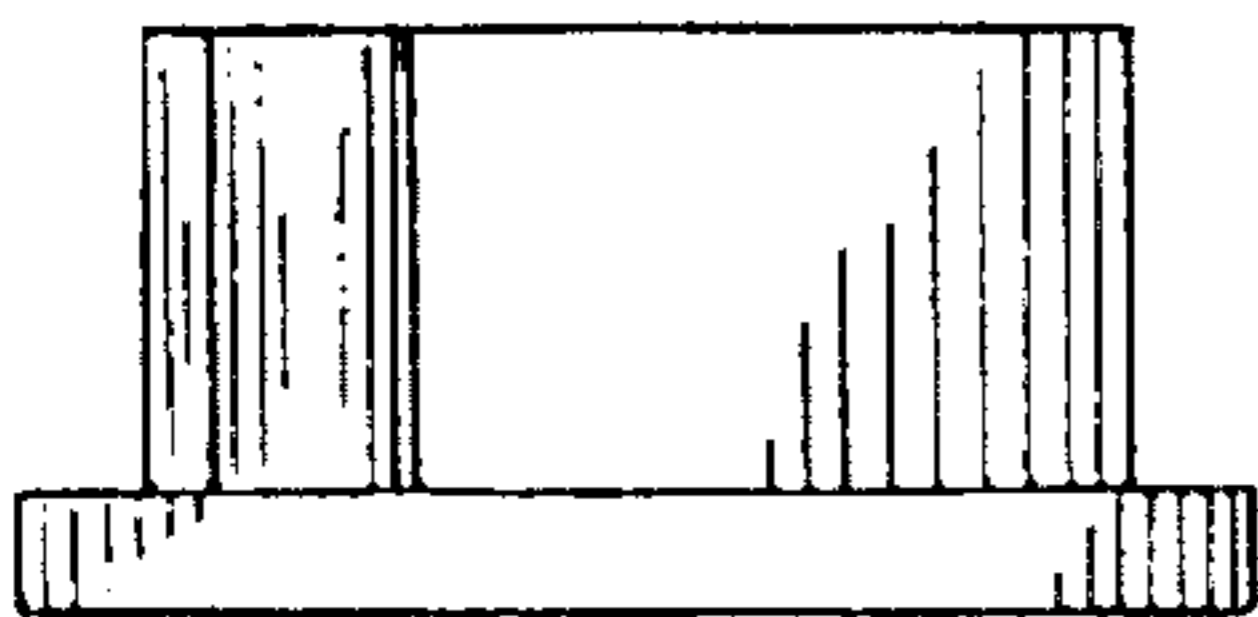


Fig. 17

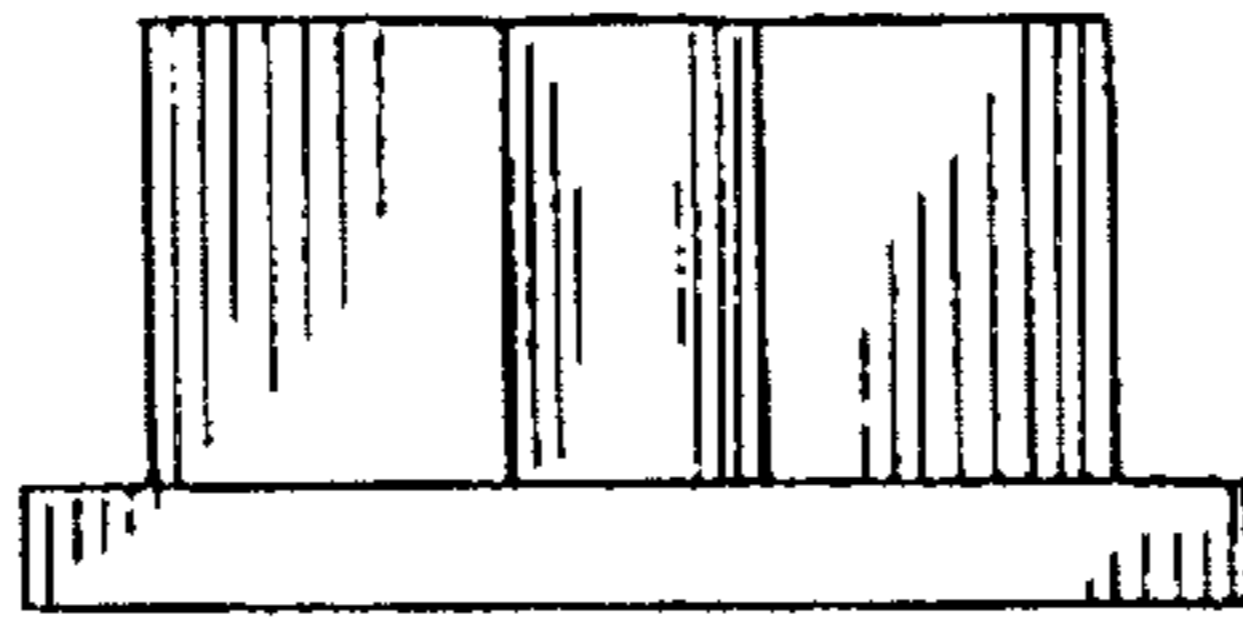


Fig. 16

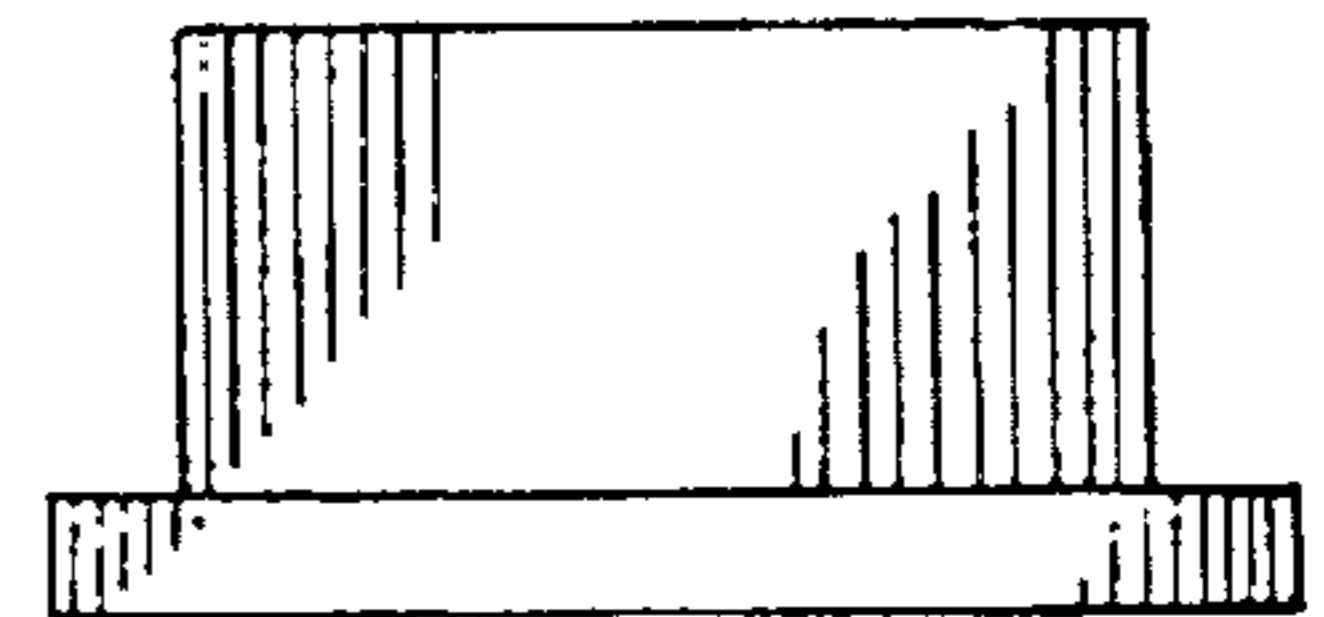


Fig. 18

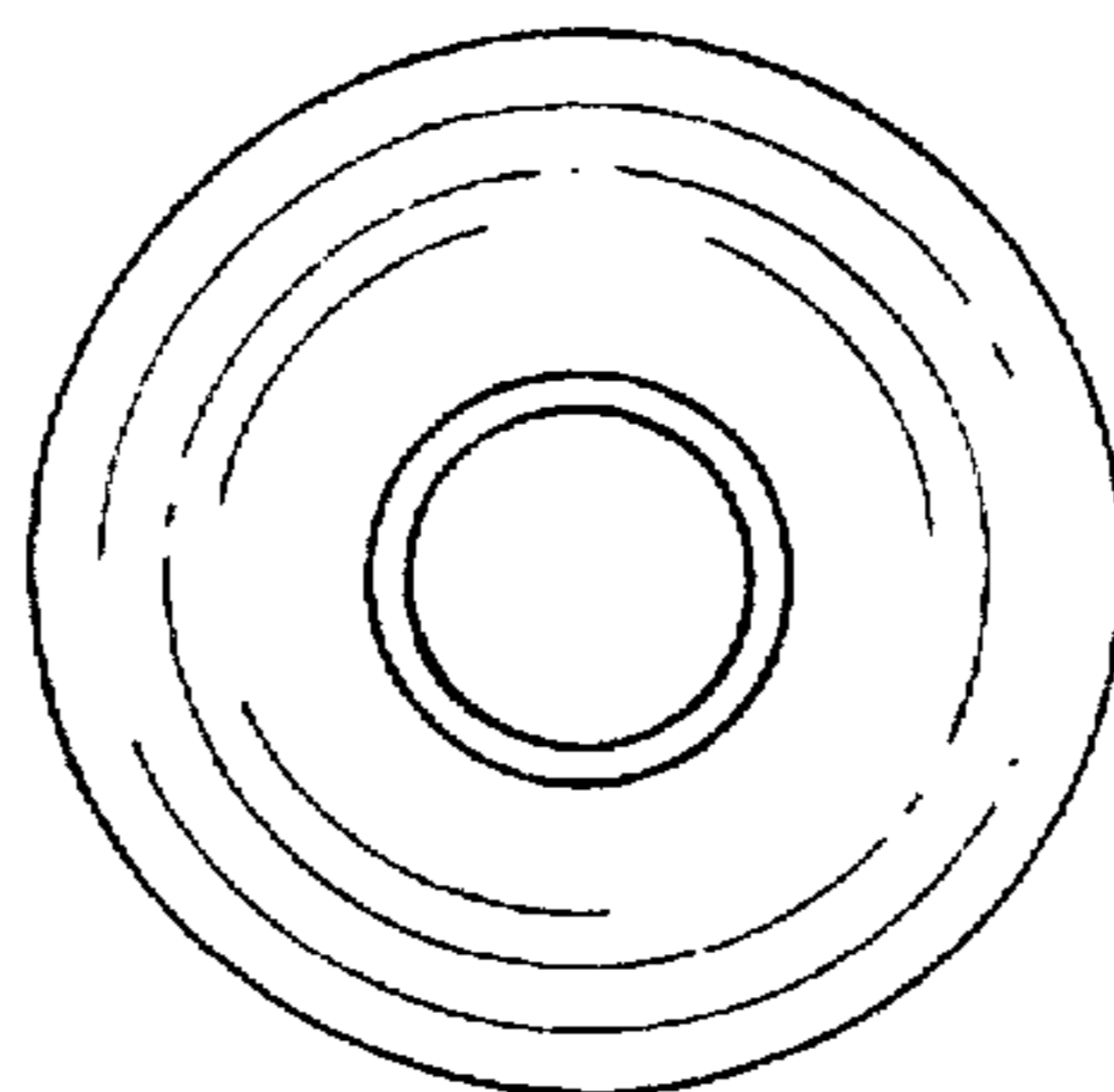


Fig. 20