



US00D397606S

United States Patent [19]

[11] Patent Number: **Des. 397,606**

Tameling

[45] Date of Patent: ****Sep. 1, 1998**

[54] **WALL MOUNT BRACKET**

Primary Examiner—Holly Baynham
Attorney, Agent, or Firm—Isaf, Vaughan & Kerr; Charles H. Fails

[76] Inventor: **John H. Tameling**, 297 Tower Ridge Dr., Marietta, Ga. 30064

[**] Term: **14 Years**

[57] **CLAIM**

The ornamental design for the wall mount bracket, as shown and described.

[21] Appl. No.: **76,449**

DESCRIPTION

[22] Filed: **Sep. 9, 1997**

[51] LOC (6) Cl. **08-05**

FIG. 1, is a top, front, and left side perspective view of a wall mount bracket showing my new design;

[52] U.S. Cl. **D8/363**

FIG. 2 is a front elevational view thereof;

[58] Field of Search D8/367, 373, 363; 248/300, 200, 201, 301, 304, 339, 216.1

FIG. 3 is a right side elevational view thereof;

FIG. 4 is a rear elevational view thereof;

[56] **References Cited**

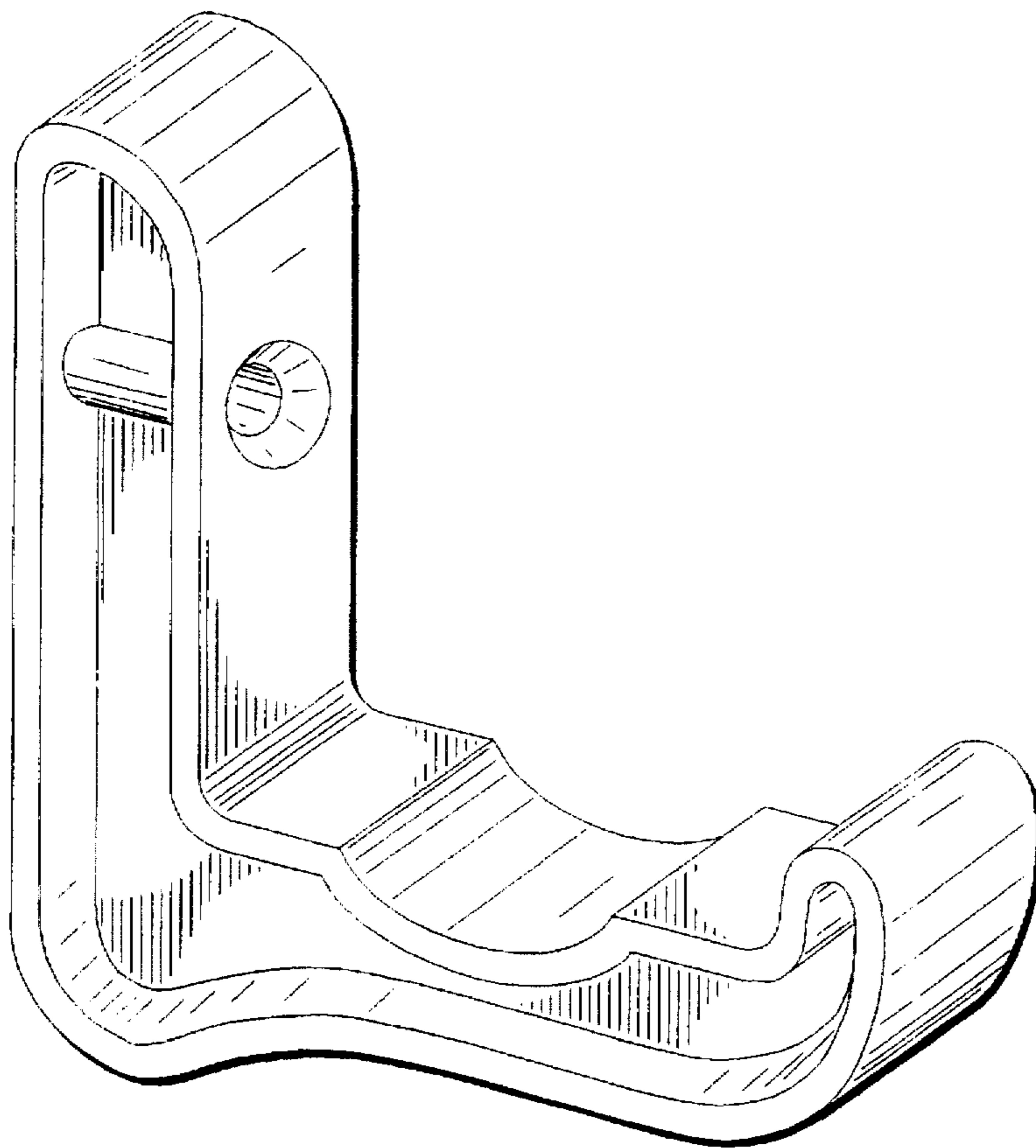
U.S. PATENT DOCUMENTS

FIG. 5 is a top plan view thereof; and,

FIG. 6 is a bottom plan view thereof.

D. 354,431 1/1995 Andrews D8/367 X
1,588,566 6/1926 Wismer 248/304 X

1 Claim, 2 Drawing Sheets



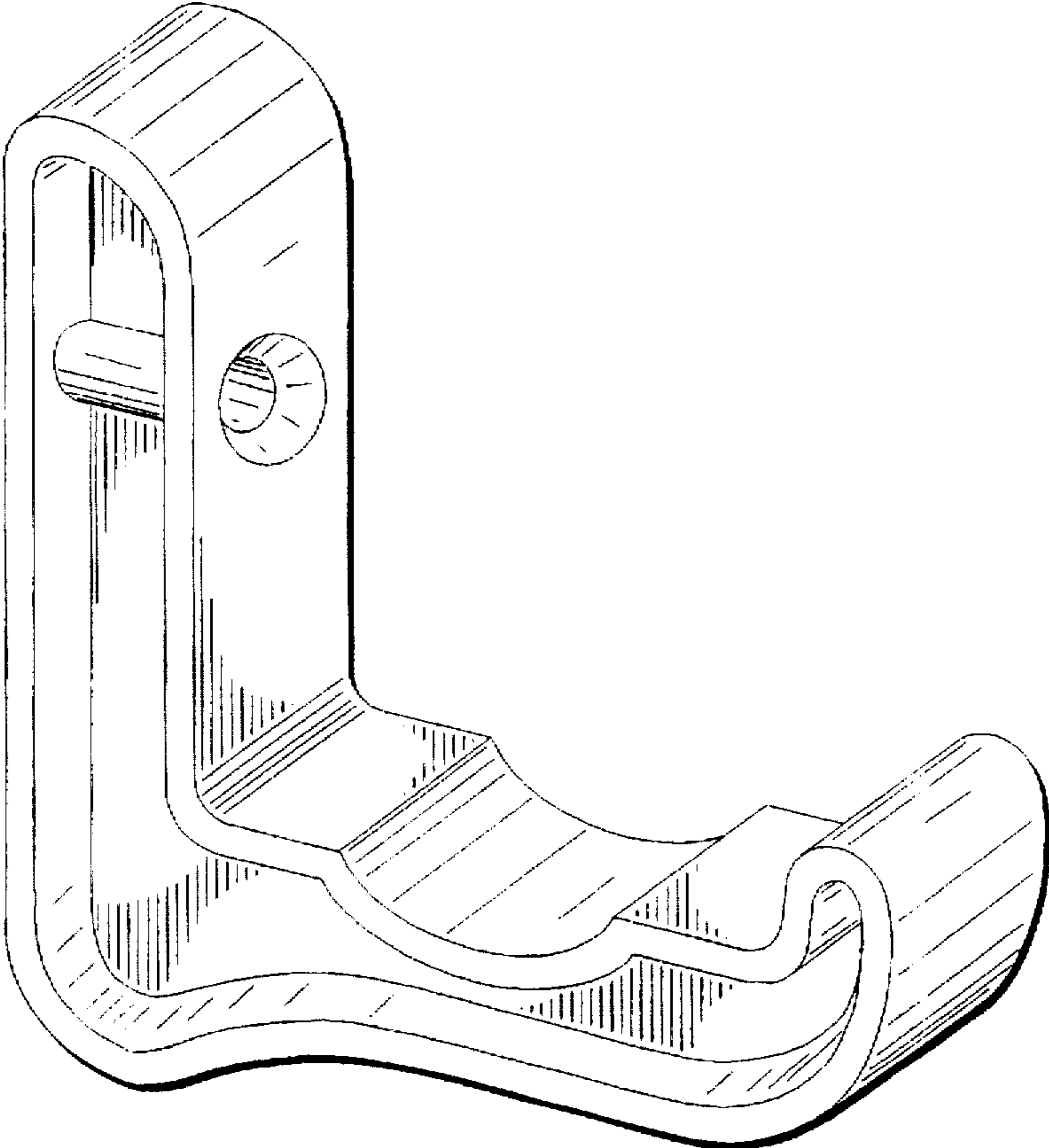


FIG. 1

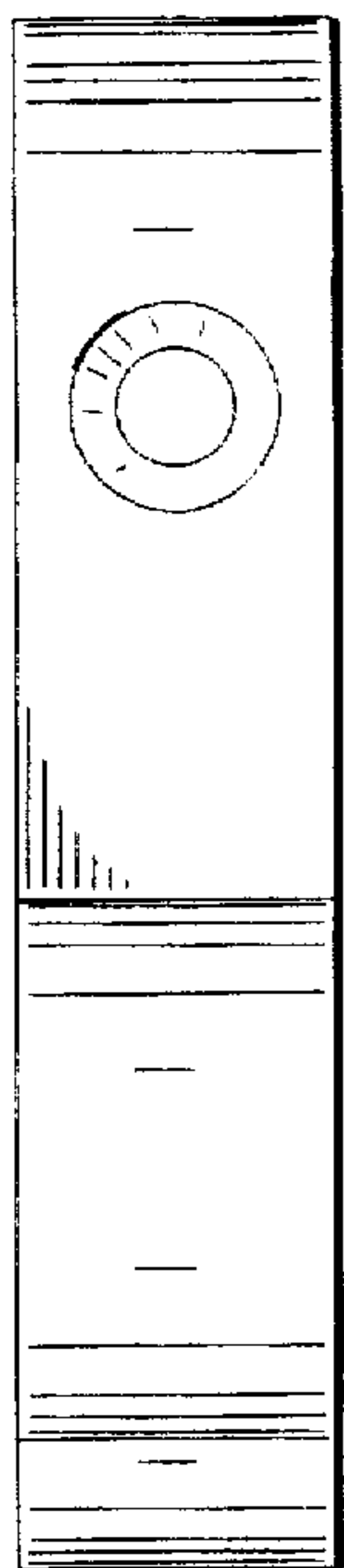


FIG. 2

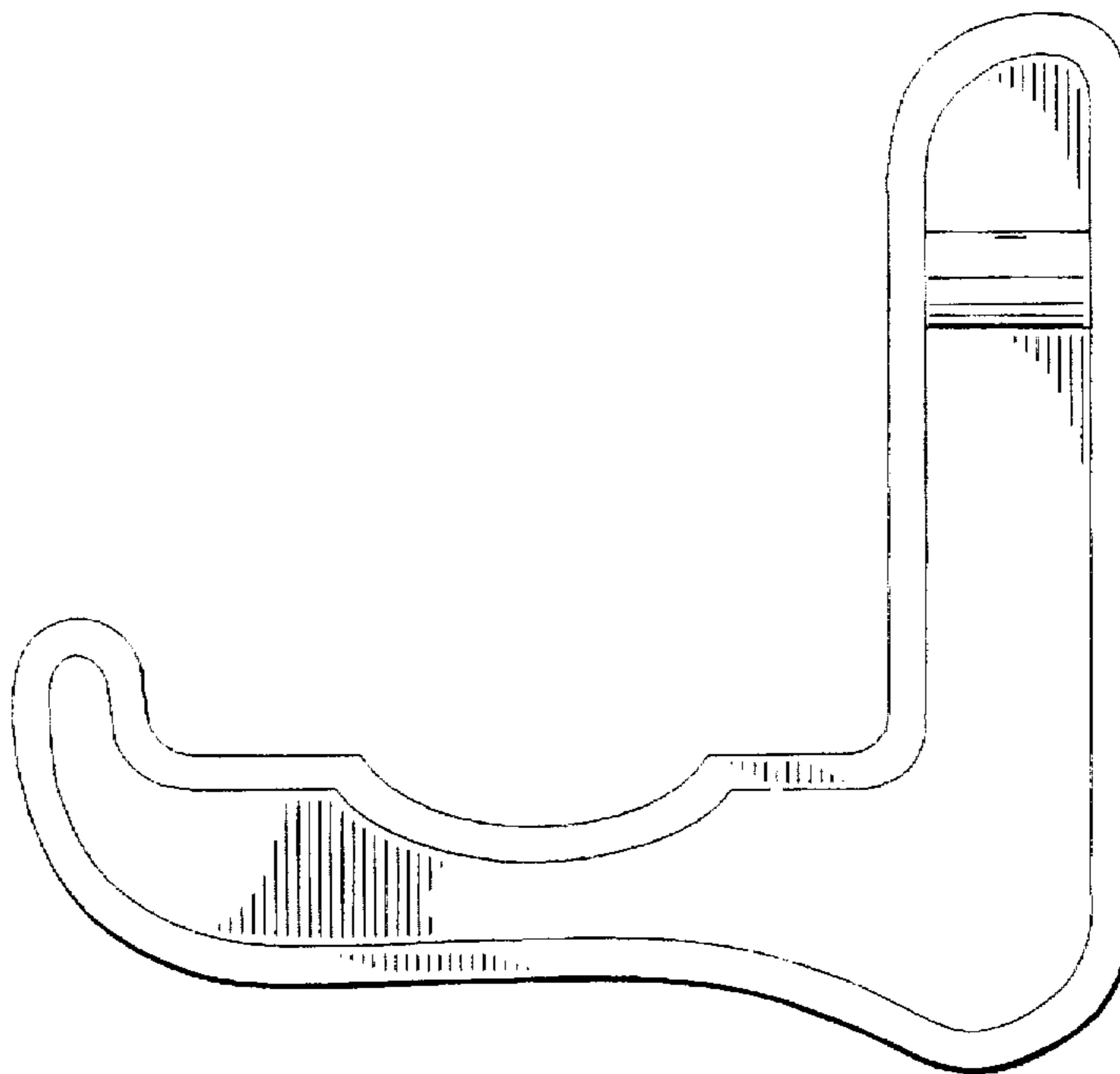


FIG. 3

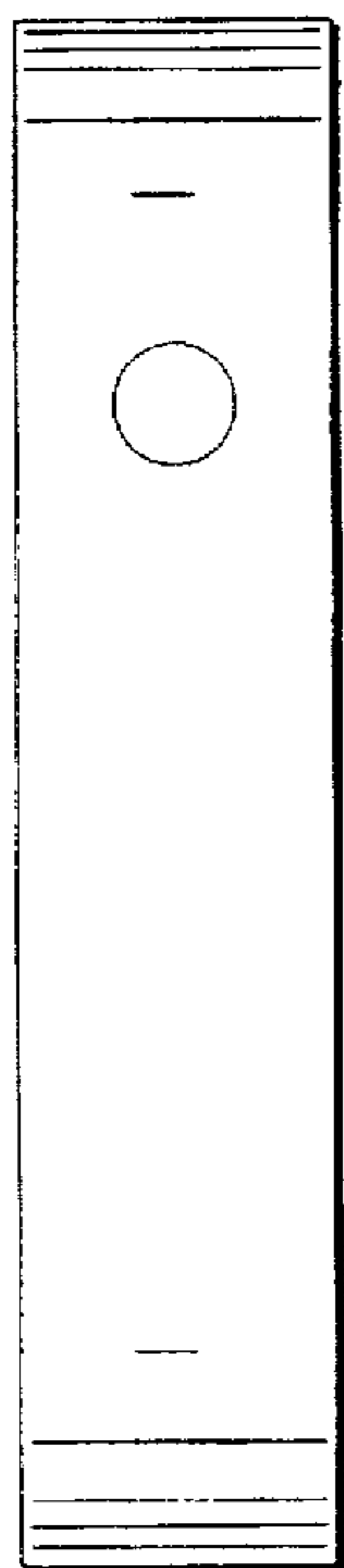


FIG. 4

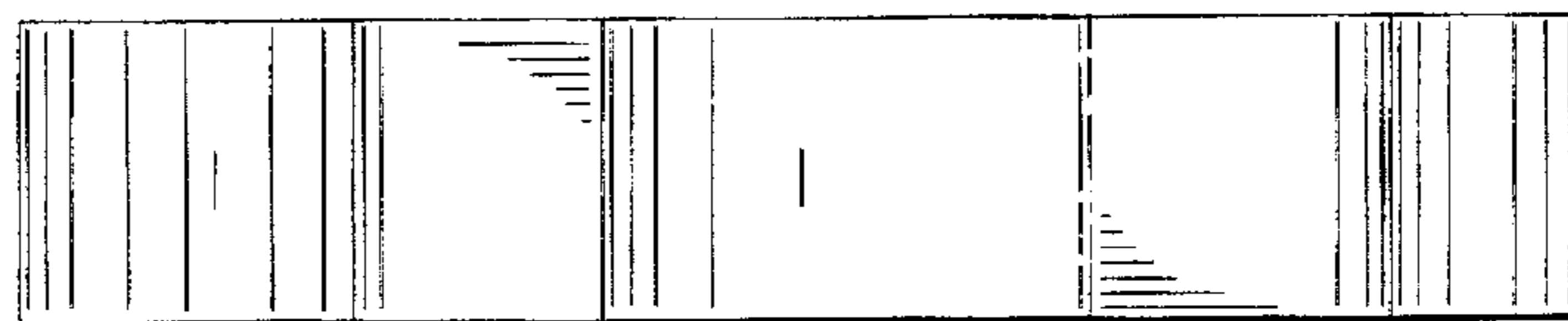


FIG. 5

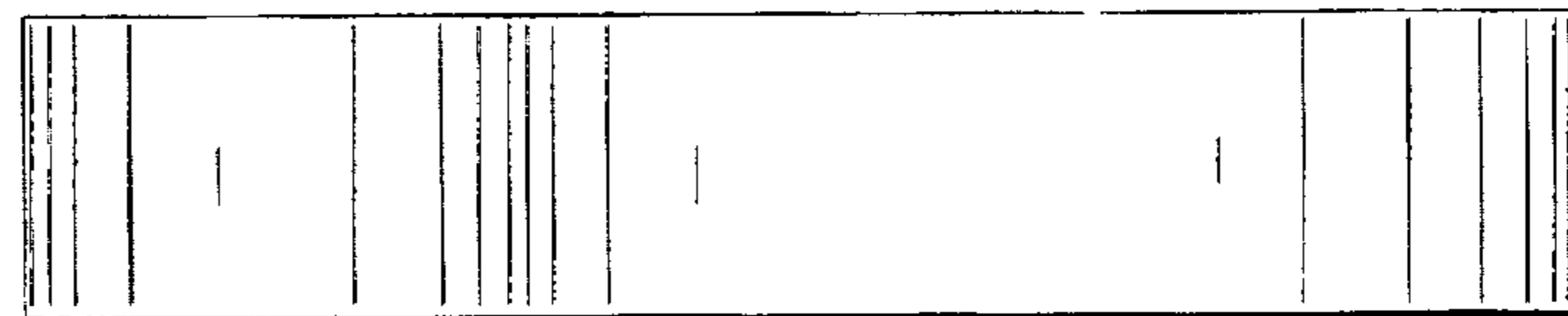


FIG. 6