



US00D397605S

# United States Patent [19]

Willems

[11] Patent Number: **Des. 397,605**

[45] Date of Patent: **\*\*Sep. 1, 1998**

[54] **DISH FOR CASE**

[75] Inventor: **Roger Peter Willems, Penn, England**

[73] Assignee: **Penn Fabrication (U.S.A.) Inc., Moorpark, Calif.**

[\*\*] Term: **14 Years**

[21] Appl. No.: **66,973**

[22] Filed: **Feb. 25, 1997**

[51] **LOC (6) CL** ..... **08-07**

[52] **U.S. Cl.** ..... **D8/343**

[58] **Field of Search** ..... **D8/330, 331, 343; 292/2, DIG. 12, DIG. 30, DIG. 31, DIG. 53**

### [56] **References Cited**

#### **U.S. PATENT DOCUMENTS**

D. 314,131	1/1991	Russell et al.	.....	D8/331	X
D. 383,664	9/1997	Bennett	.....	D8/331	
2,987,908	6/1961	Pelcin	.....	292/DIG. 30	X

*Primary Examiner*—Brian N. Vinson

*Attorney, Agent, or Firm*—Freilich Hornbaker Rosen

### [57] **CLAIM**

The ornamental design for a dish for case, as shown and described.

### **DESCRIPTION**

FIG. 1 is an exploded top, front, and right side perspective view of a dish for case showing my new design;

FIG. 2 is a reduced top, front, and right side perspective view thereof;

FIG. 3 is an exploded front elevational view thereof;

FIG. 4 is an exploded rear elevational view thereof;

FIG. 5 is an exploded right side elevational view thereof, the left side being a mirror image of that shown;

FIG. 6 is a top plan view thereof;

FIG. 7 is a bottom plan view thereof;

FIG. 8 is a bottom plan view of the top portion thereof, the bottom portion being omitted for clarity of illustration; and,

FIG. 9 is a top plan view of the bottom portion thereof, the top portion being omitted for clarity of illustration.

**1 Claim, 1 Drawing Sheet**

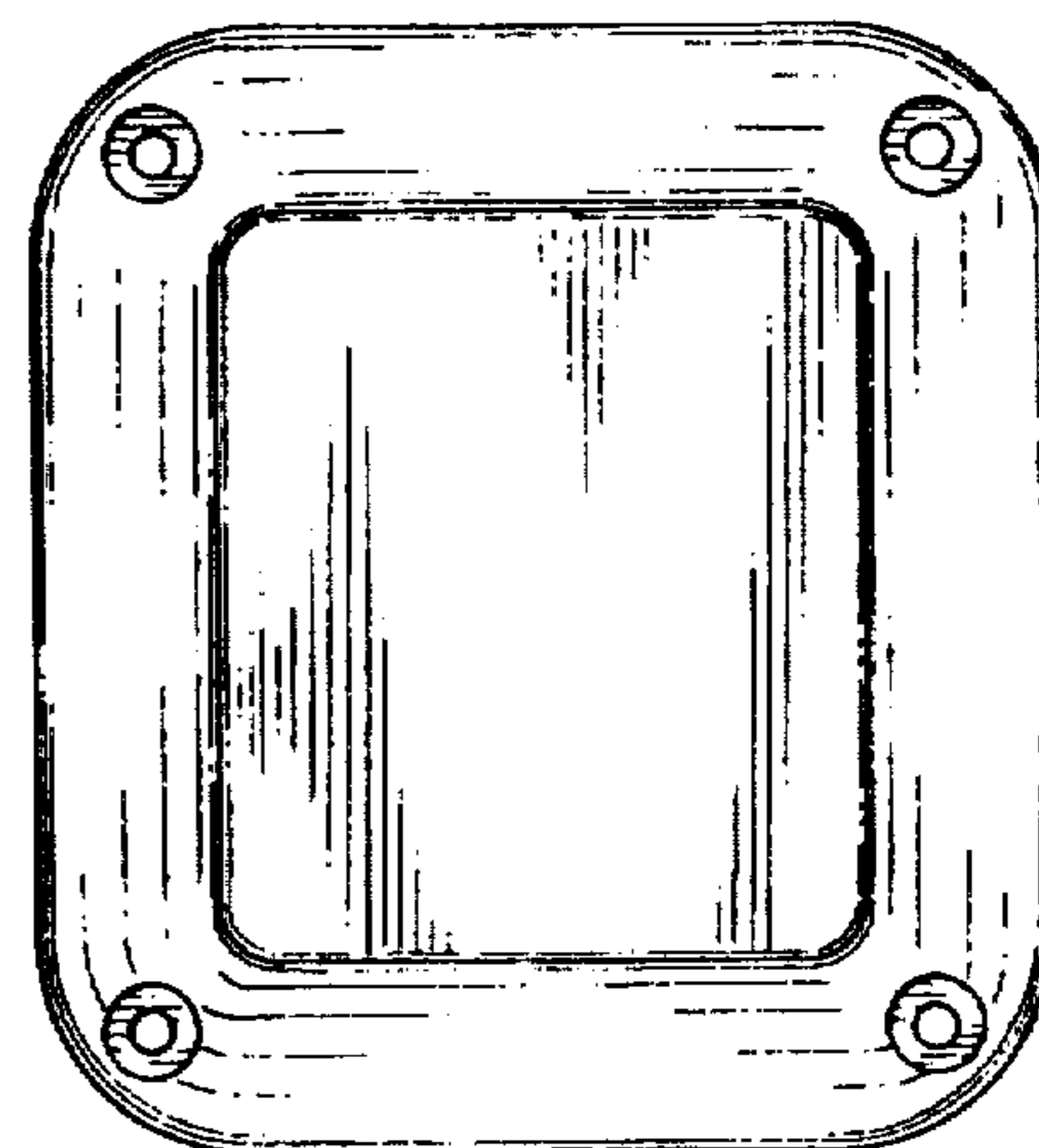
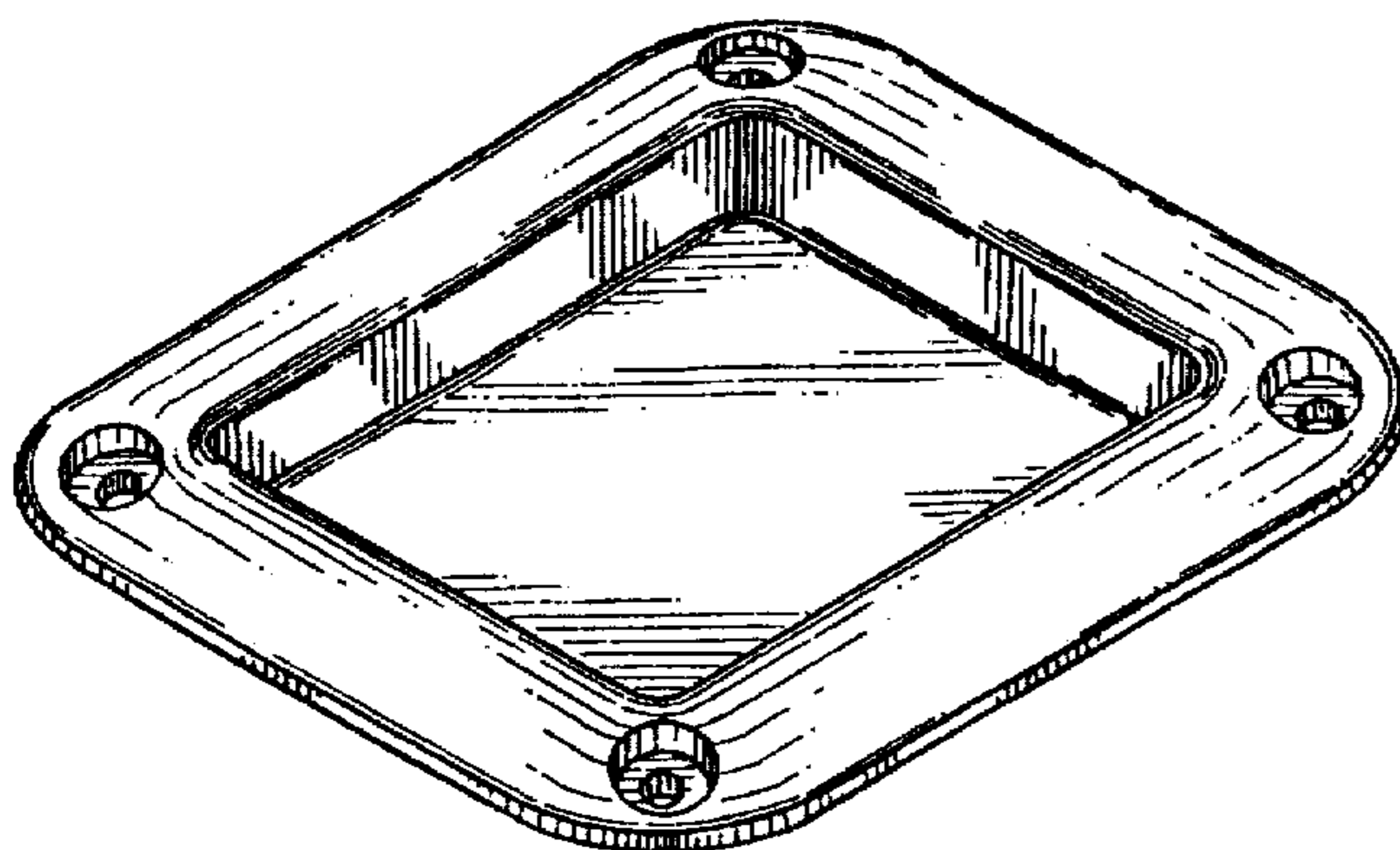


FIG. 1

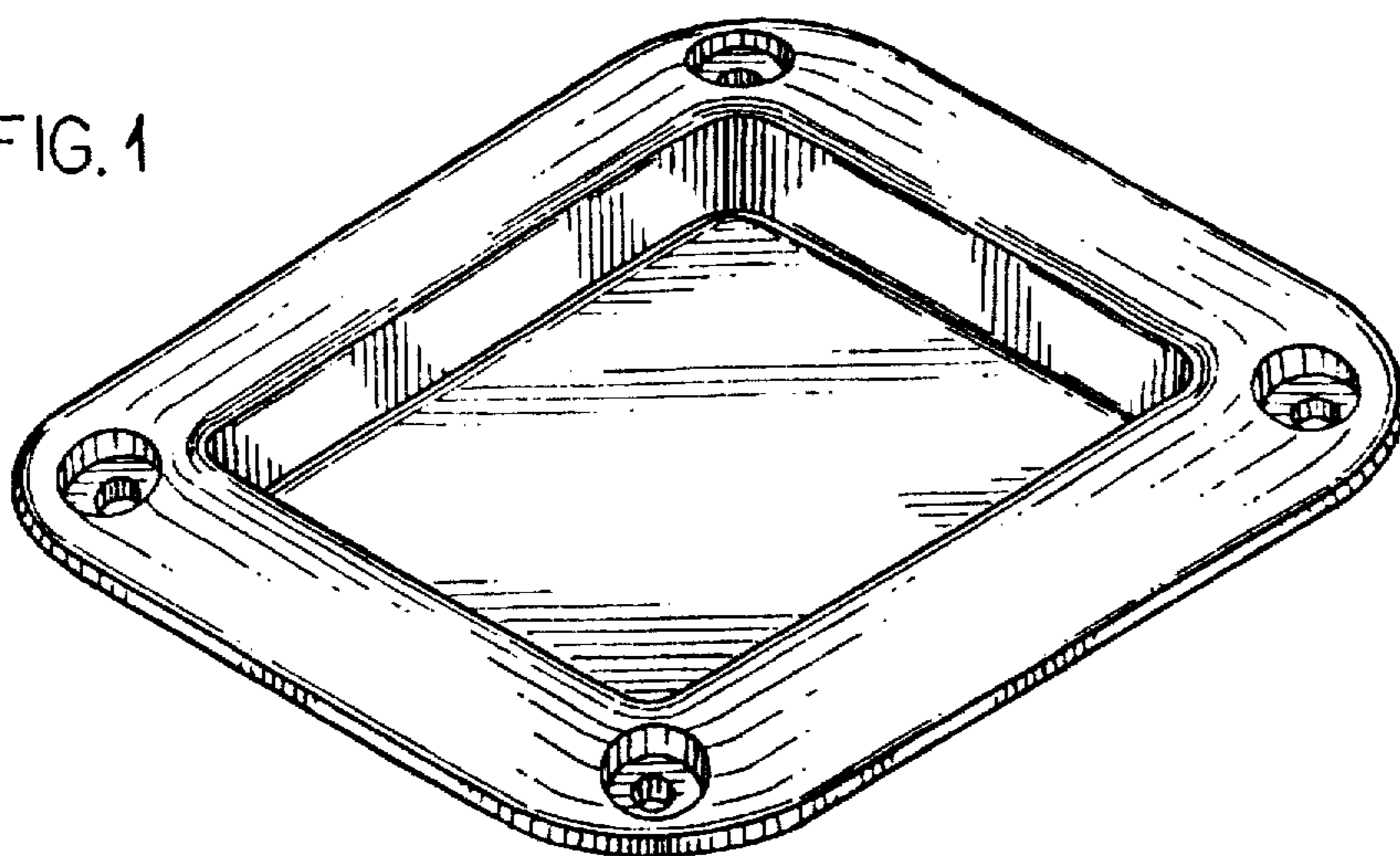


FIG. 2

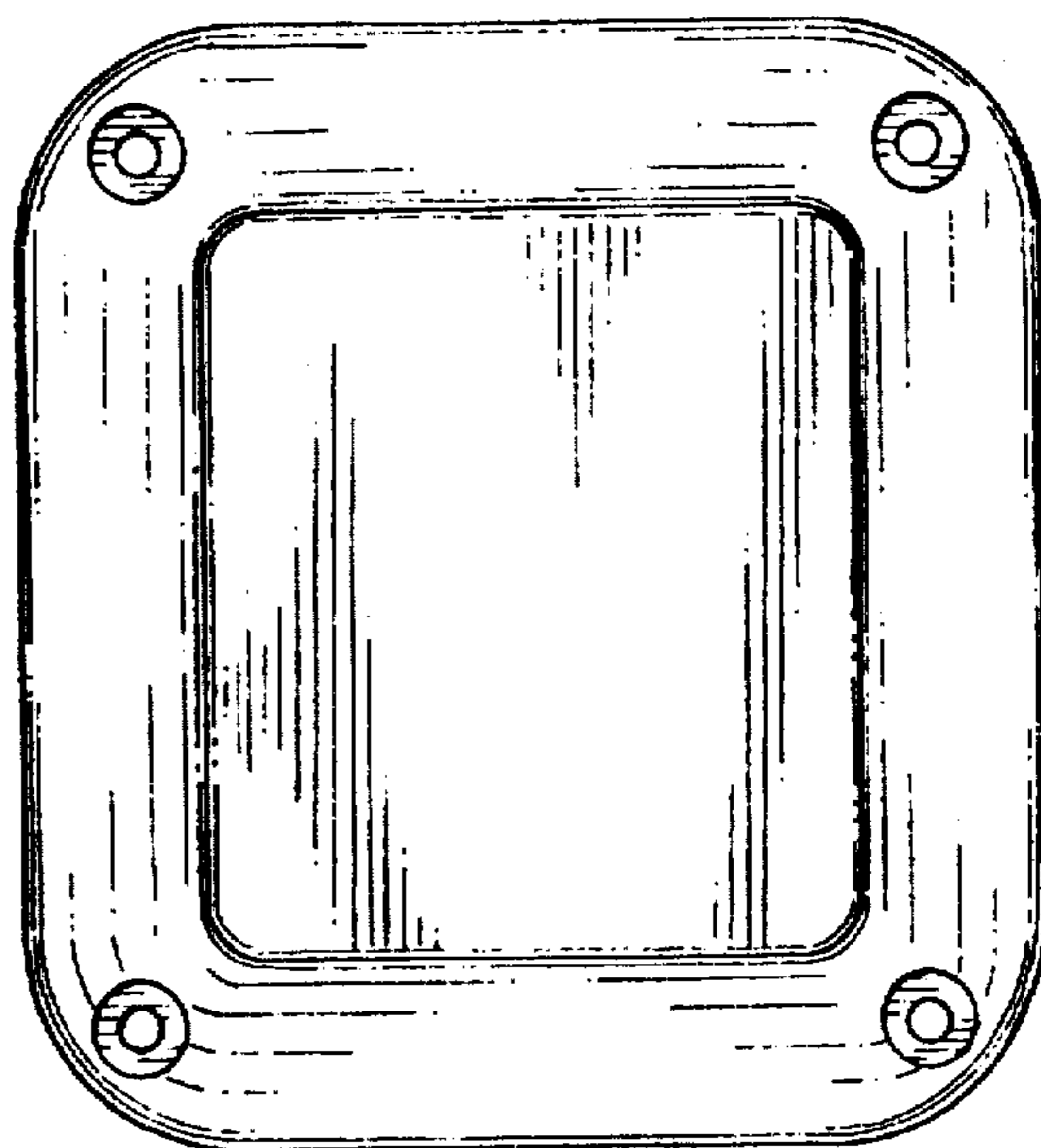


FIG. 4



FIG. 3

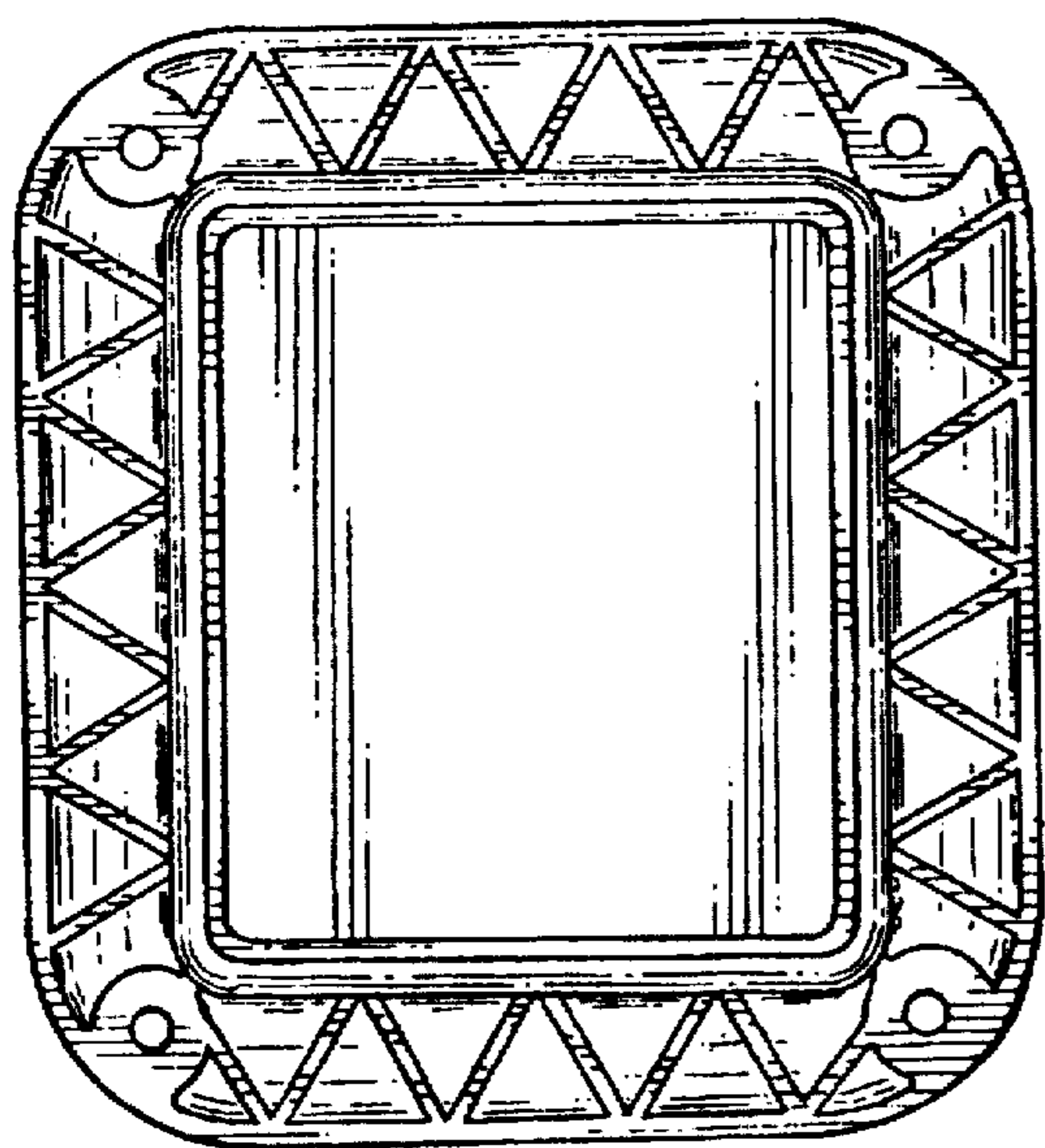
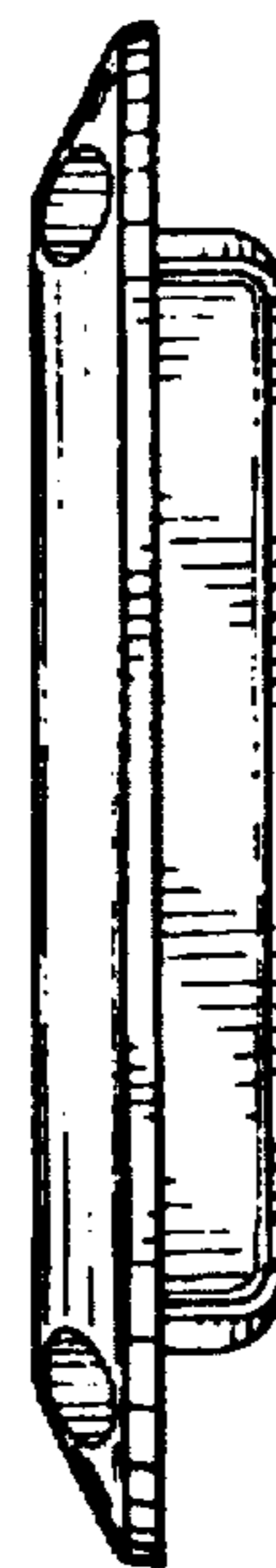


FIG. 5



UNITED STATES PATENT AND TRADEMARK OFFICE  
**CERTIFICATE OF CORRECTION**

PATENT NO. : Des. 397,605  
DATED : Sep. 1, 1998  
INVENTOR(S) : Willems

Page 1 of 4

It is certified that error appears in the above-identified patent and that said Letters Patent is hereby corrected as shown below:

The title page should be deleted to appear as per attached title page.

Please delete drawing sheet 1 of 1 and substitute drawing sheets 1-2 as per attached.

Signed and Sealed this  
Fifth Day of October, 1999

*Attest:*



Q. TODD DICKINSON

*Attesting Officer*

*Acting Commissioner of Patents and Trademarks*



[54] DISH FOR CASE  
[75] Inventor: Roger Peter Willems, Penn. England  
[73] Assignee: Penn Fabrication (U.S.A.) Inc., Moorpark, Calif.  
[\*\*] Term: 14 Years  
[21] Appl. No.: 66,973  
[22] Filed: Feb. 25, 1997  
[51] LOC (6) Cl. .... 08-07  
[52] U.S. Cl. .... D8/343  
[58] Field of Search ..... D8/330, 331, 343; 292/2, DIG. 12, DIG. 30, DIG. 31, DIG. 53

[56] References Cited  
U.S. PATENT DOCUMENTS  
D. 314,131 1/1991 Russell et al. .... D8/331 X  
D. 383,664 9/1997 Bennett ..... D8/331  
2,987,908 6/1961 Pelcin ..... 292/DIG. 30 X

Primary Examiner—Brian N. Vinson

Attorney, Agent, or Firm—Freilich Hornbaker Rosen

[57] CLAIM

The ornamental design for a dish for case, as shown and described.

DESCRIPTION

FIG. 1 is an exploded top, front, and right side perspective view of a dish for case showing my new design;  
FIG. 2 is a reduced top, front, and right side perspective view thereof;  
FIG. 3 is an exploded front elevational view thereof;  
FIG. 4 is an exploded rear elevational view thereof;  
FIG. 5 is an exploded right side elevational view thereof, the left side being a mirror image of that shown;  
FIG. 6 is a top plan view thereof;  
FIG. 7 is a bottom plan view thereof;  
FIG. 8 is a bottom plan view of the top portion thereof, the bottom portion being omitted for clarity of illustration; and  
FIG. 9 is a top plan view of the bottom portion thereof, the top portion being omitted for clarity of illustration.

1 Claims, 2 Drawing Sheets

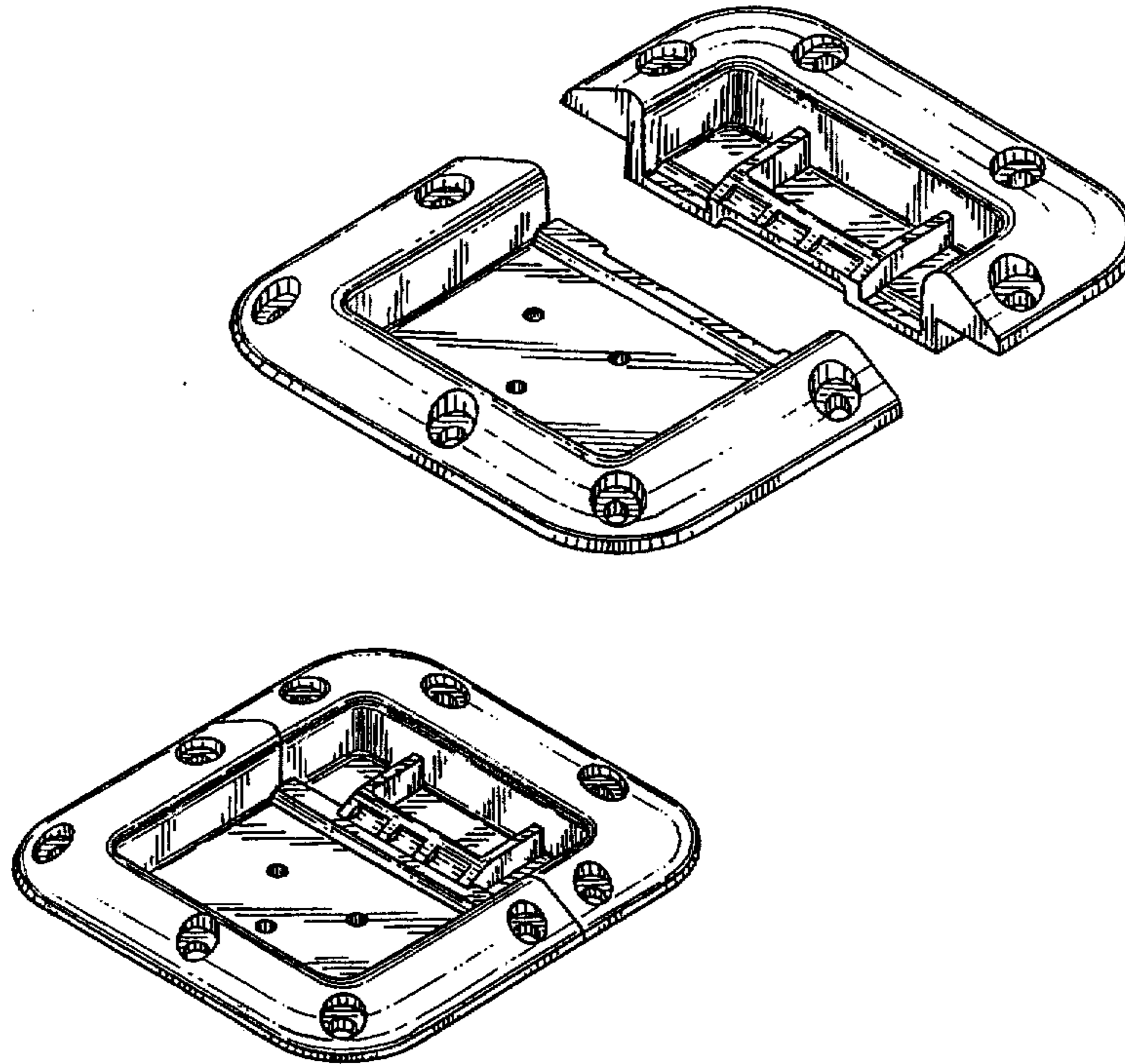


FIG. 1

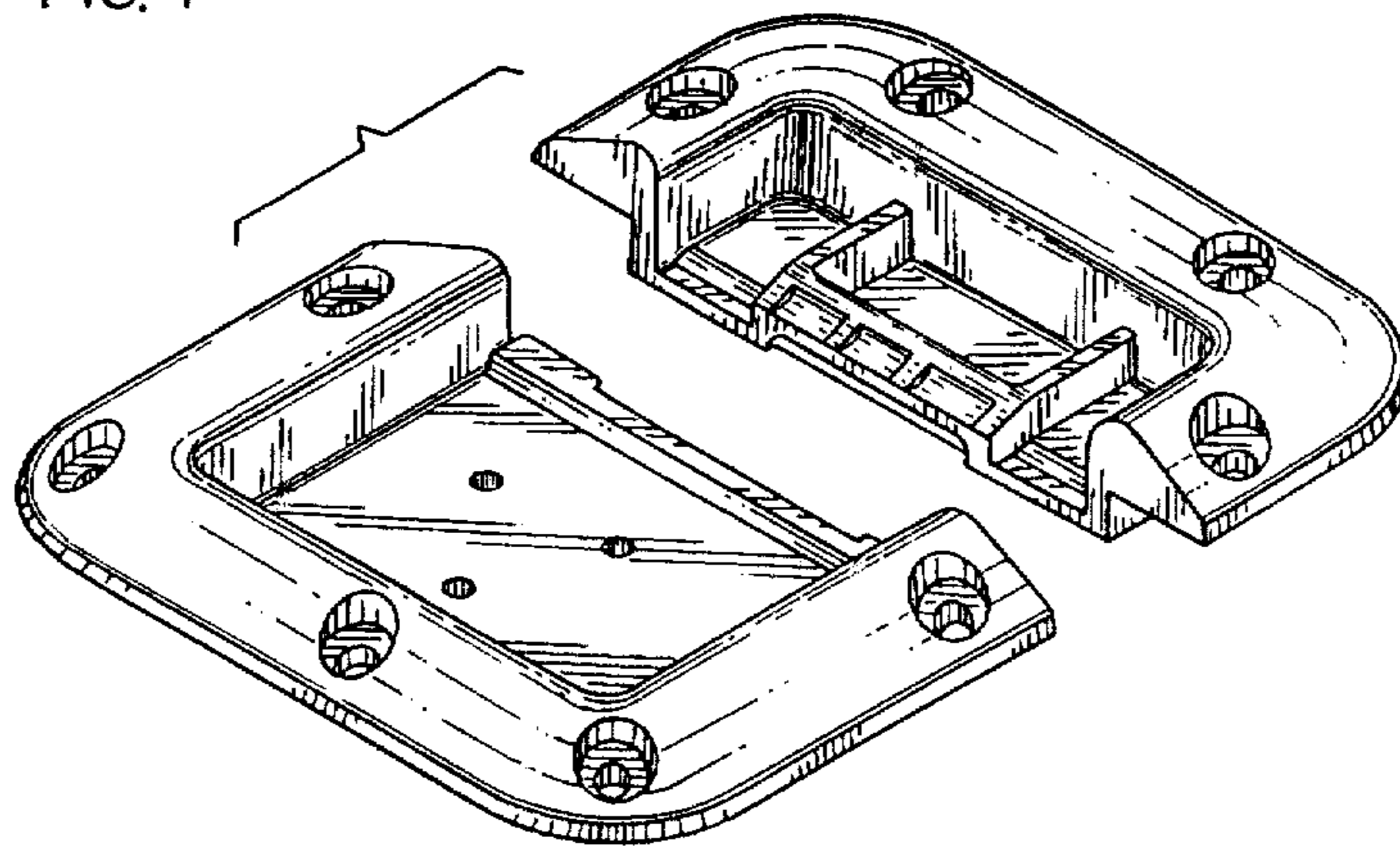


FIG. 2

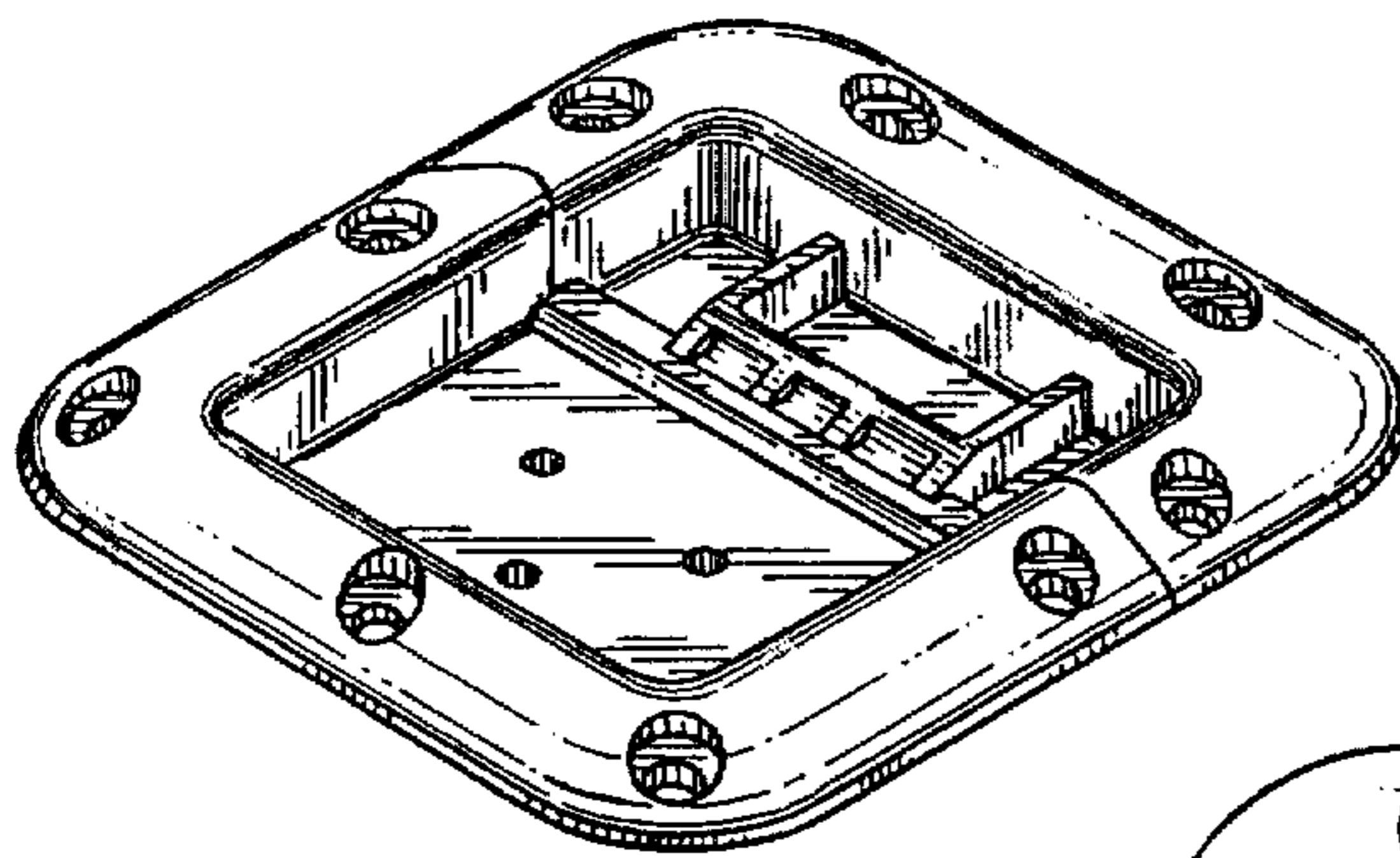


FIG. 3

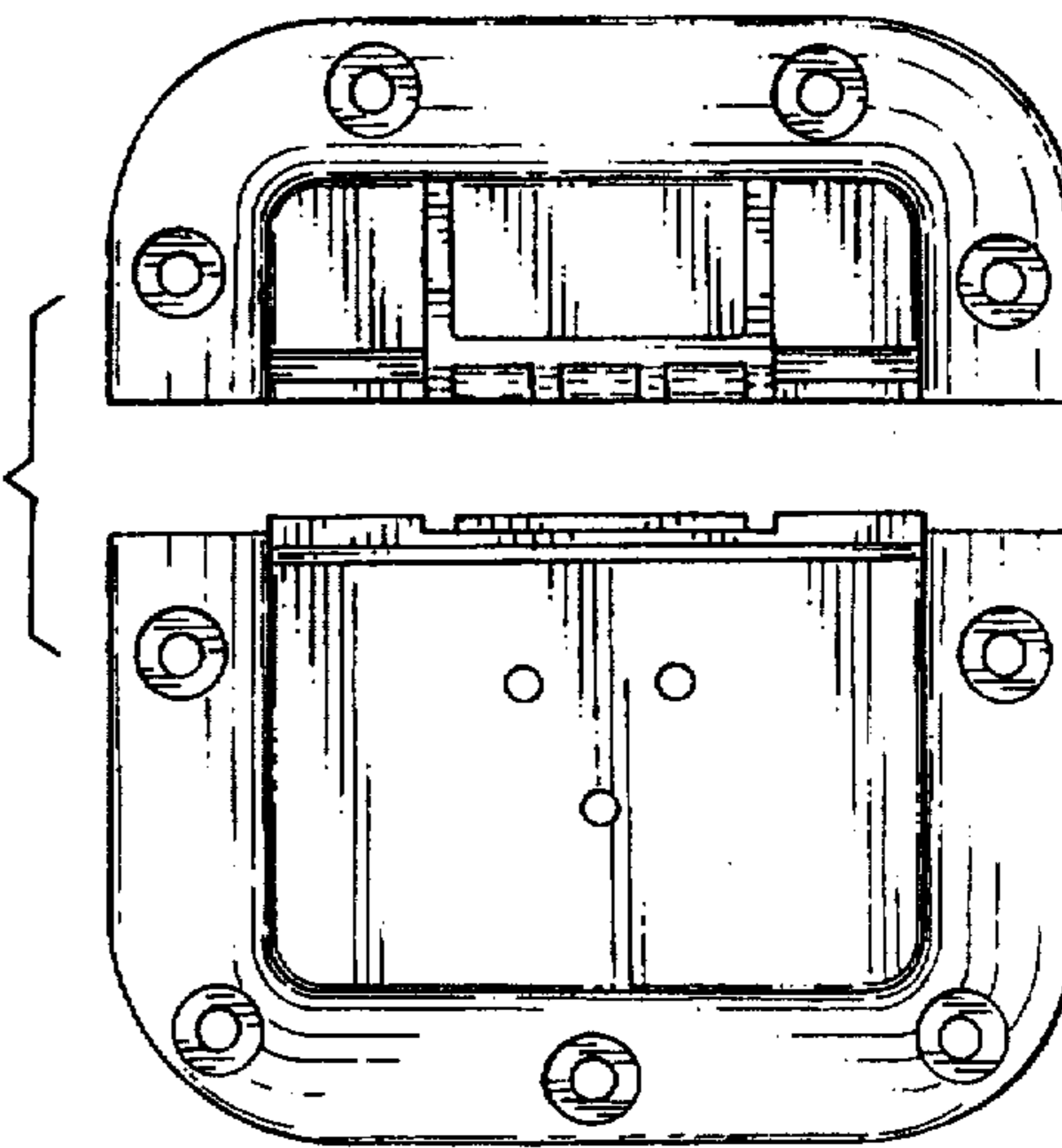


FIG. 4

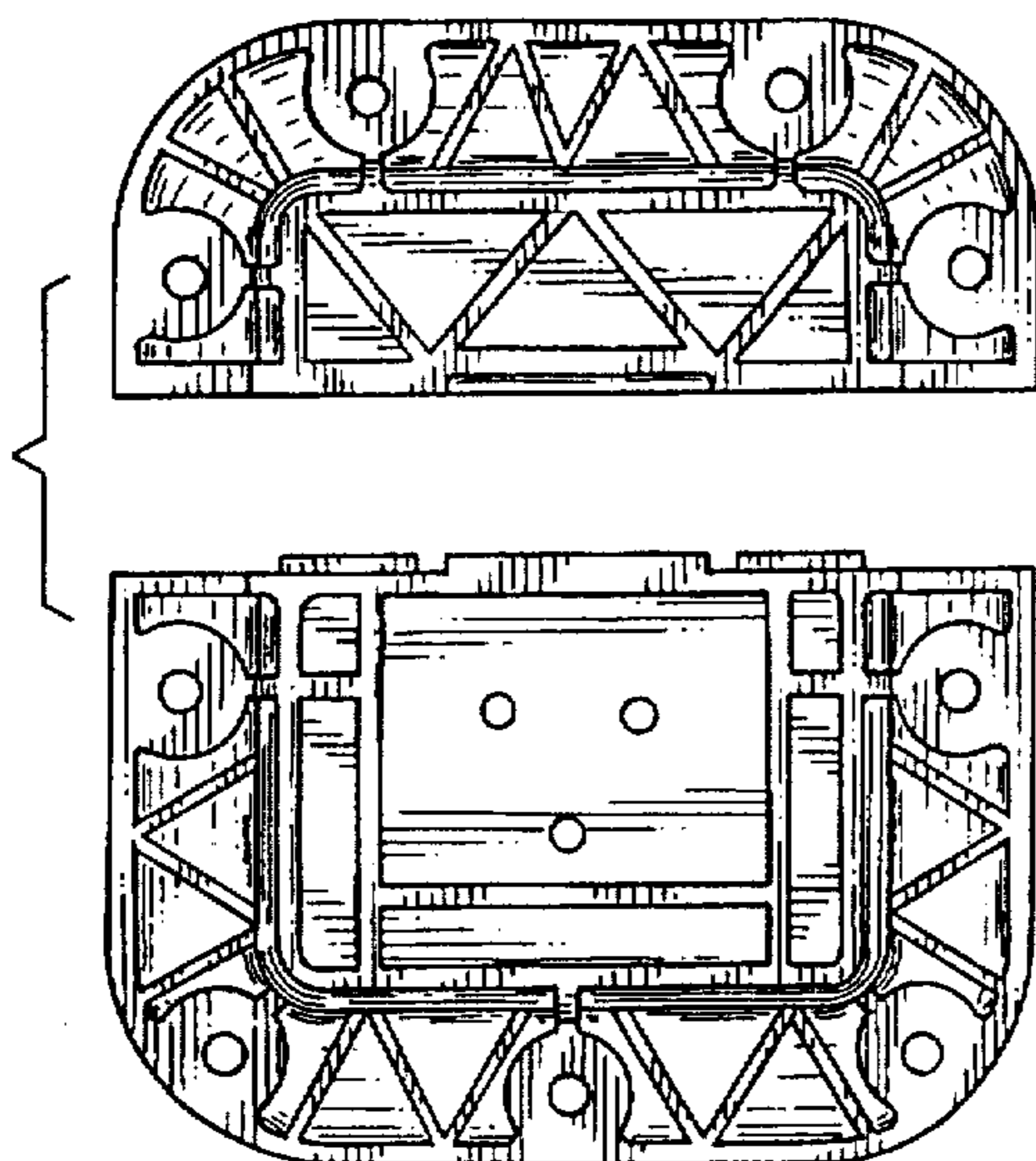


FIG. 5

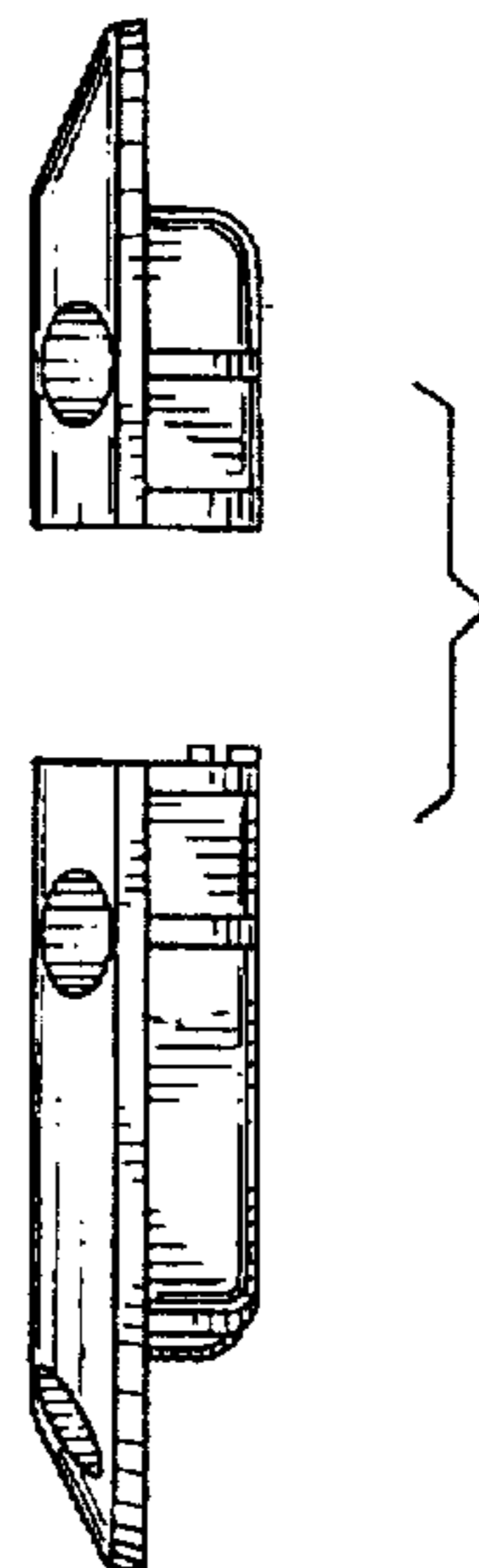


FIG. 6

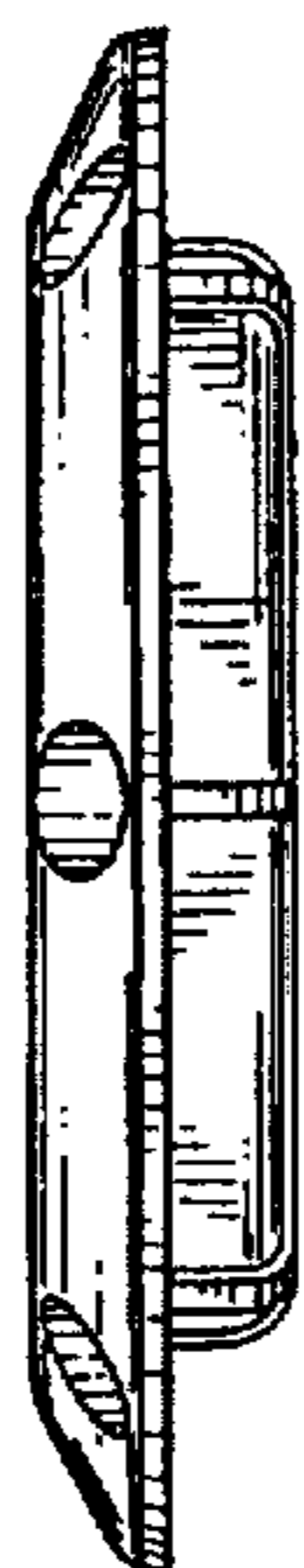


FIG. 7



FIG. 8

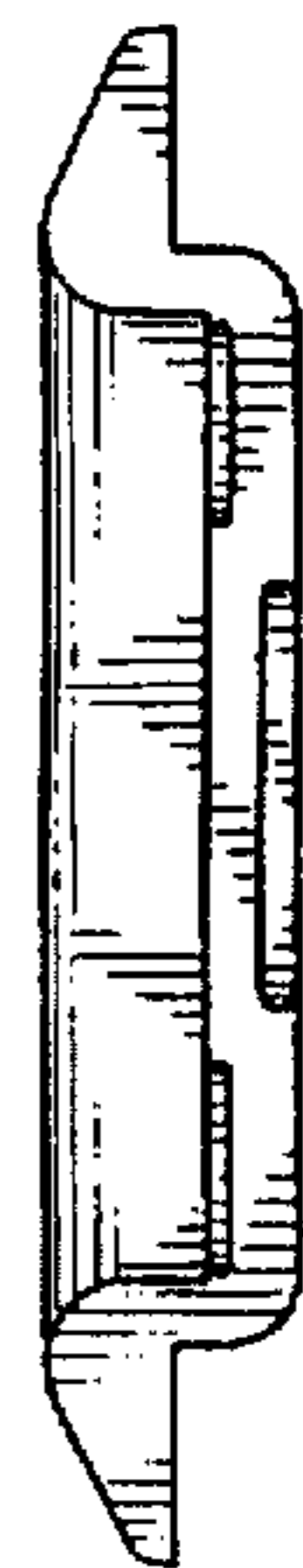


FIG. 9