



US00D397601S

United States Patent [19]

[11] Patent Number: **Des. 397,601**

Omerza

[45] Date of Patent: ****Sep. 1, 1998**

[54] **BUFFER FOR BUFFING ROUND ARTICLES**

Primary Examiner—Antoine Duval Davis
Attorney, Agent, or Firm—Harold D. Shall

[76] Inventor: **Daniel R. Omerza**, 437 Midway Island,
Clearwater, Fla. 34630

[57] **CLAIM**

[**] Term: **14 Years**

The ornamental design for a buffer for buffing round articles,
as shown.

[21] Appl. No.: **68,314**

DESCRIPTION

[22] Filed: **Mar. 31, 1997**

FIG. 1 is a perspective view of a buffer for buffing round
articles showing my new design;

[51] LOC (6) Cl. **08-99**

FIG. 2 is a front elevational view;

[52] U.S. Cl. **D8/70; D15/138**

FIG. 3 is a rear elevational view;

[58] Field of Search **D8/70; D15/138;**
15/229.11, 229.12, 229.13, 230

FIG. 4 is a right side elevational view;

FIG. 5 is a left side elevational view;

[56] **References Cited**

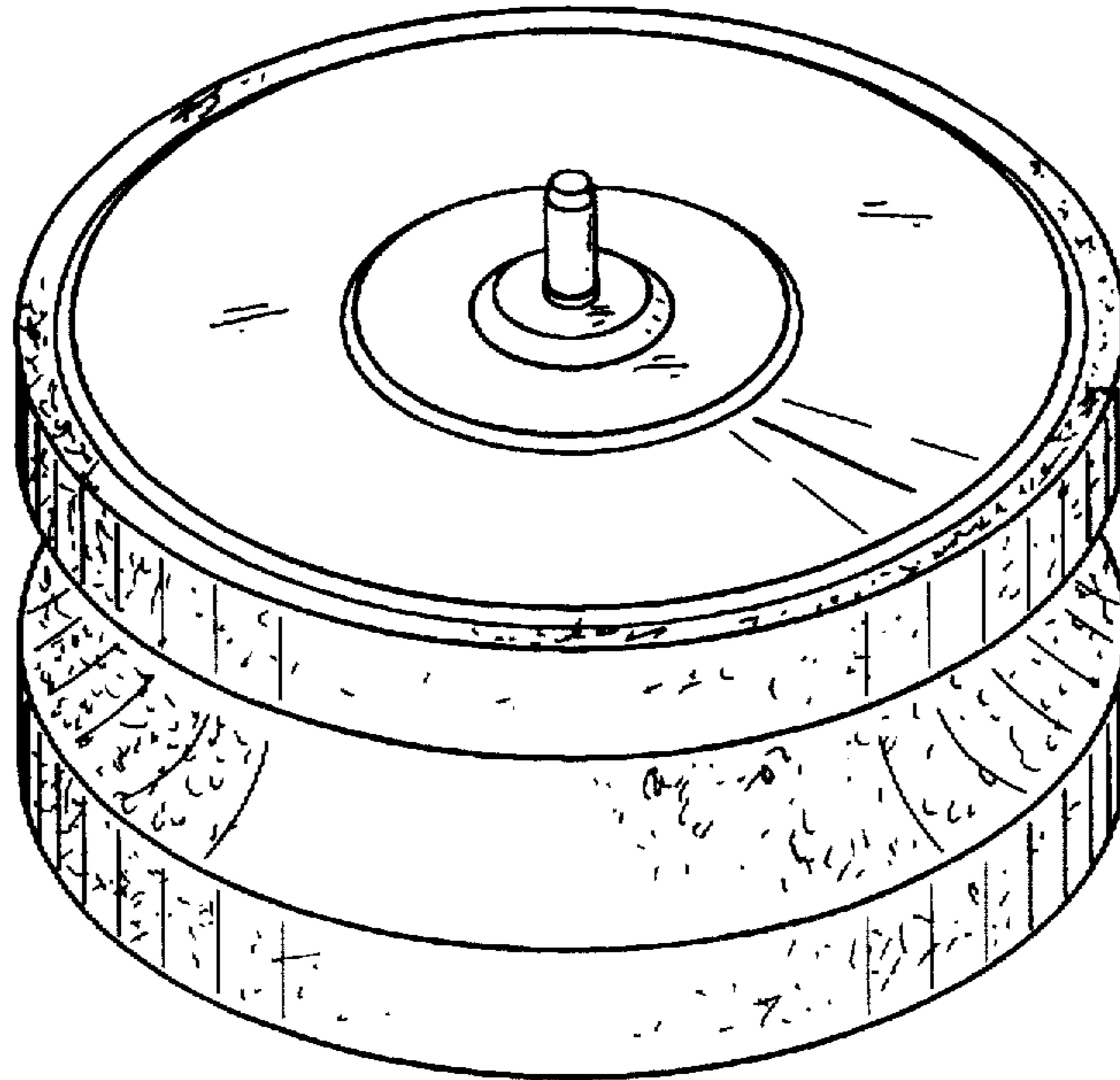
FIG. 6 is a top plan view; and,

FIG. 7 is a bottom plan view.

U.S. PATENT DOCUMENTS

1,723,520 8/1929 Pintel 15/229.13

1 Claim, 2 Drawing Sheets



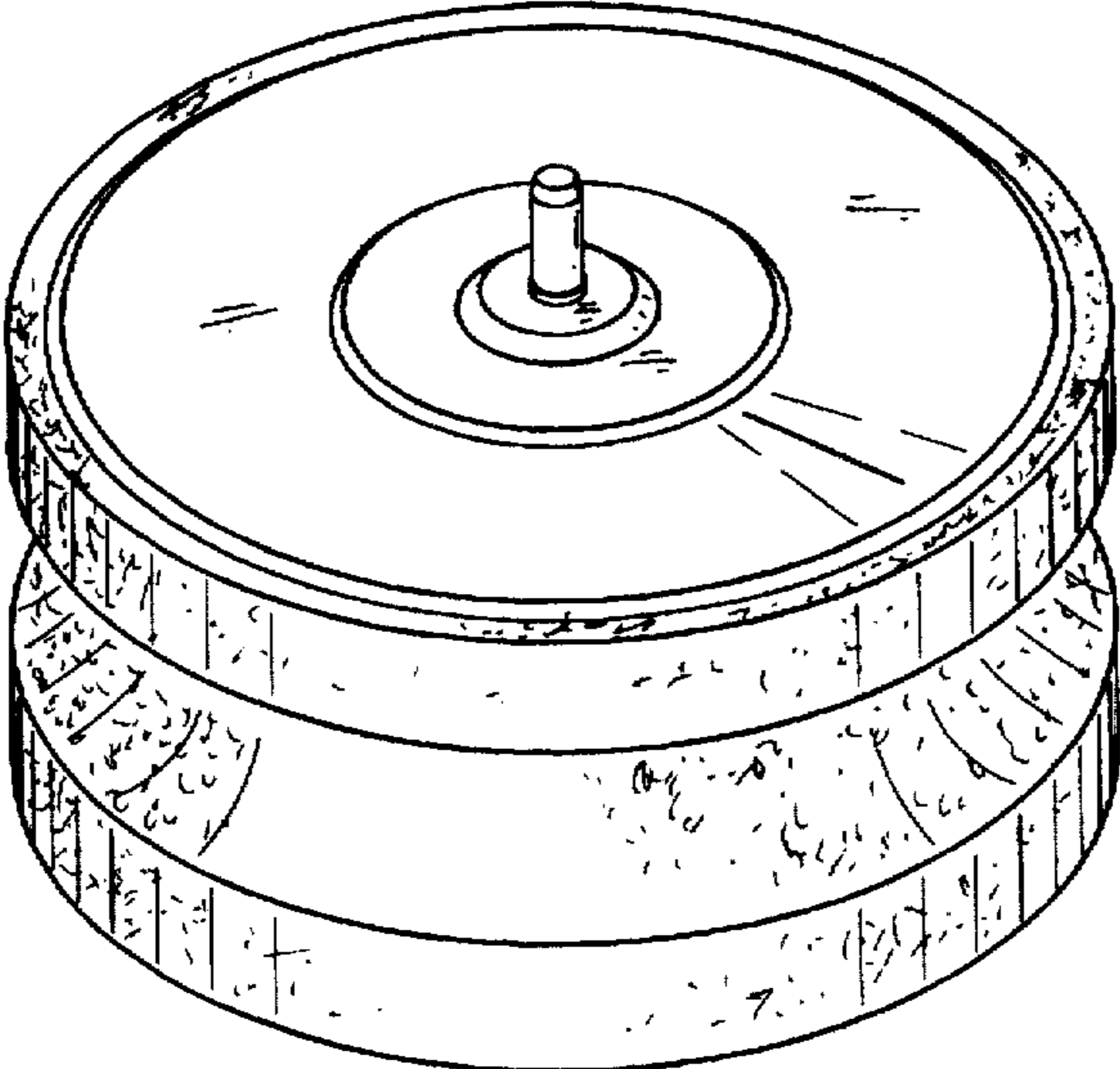


Fig. 1

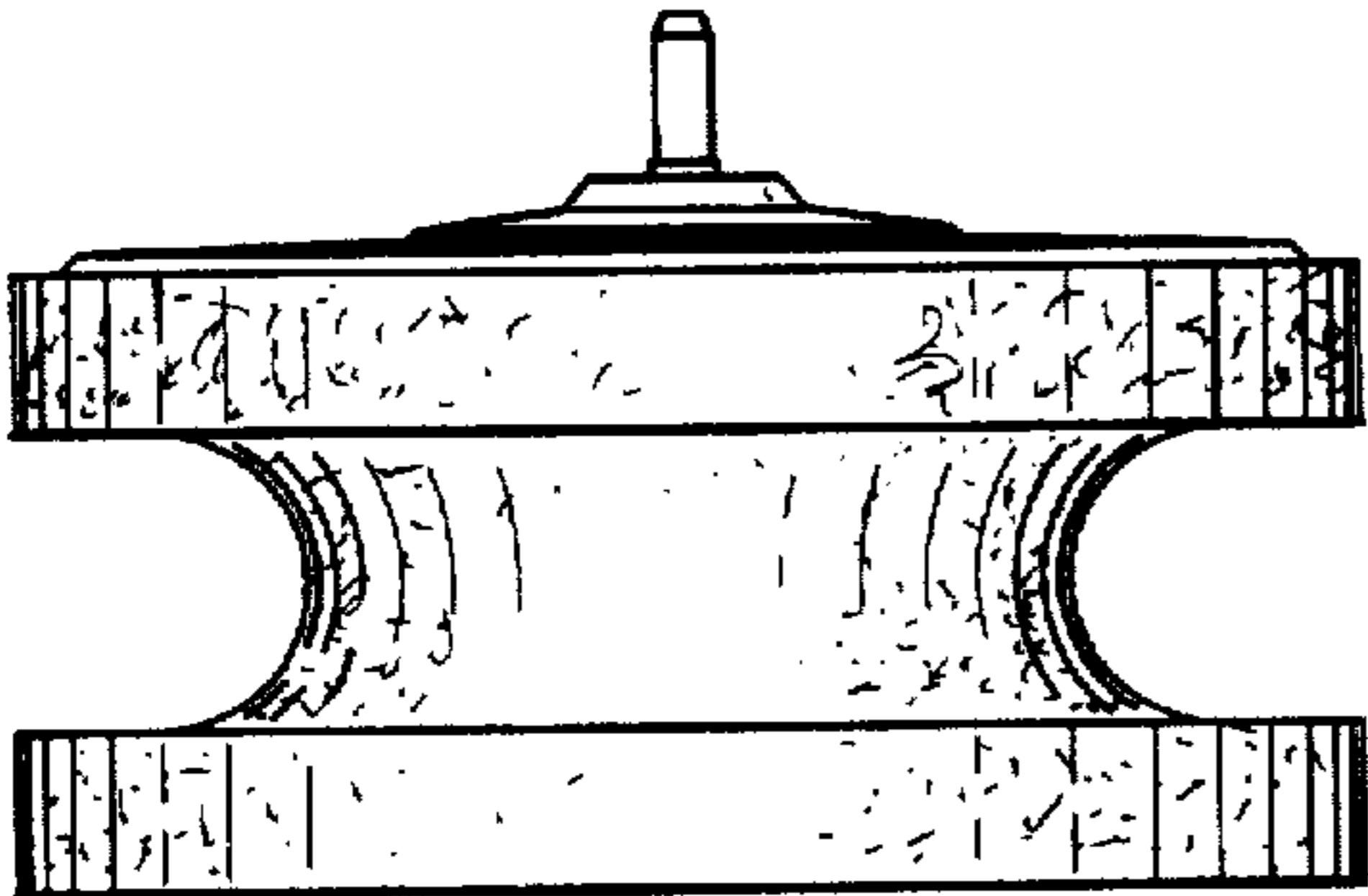


Fig. 2

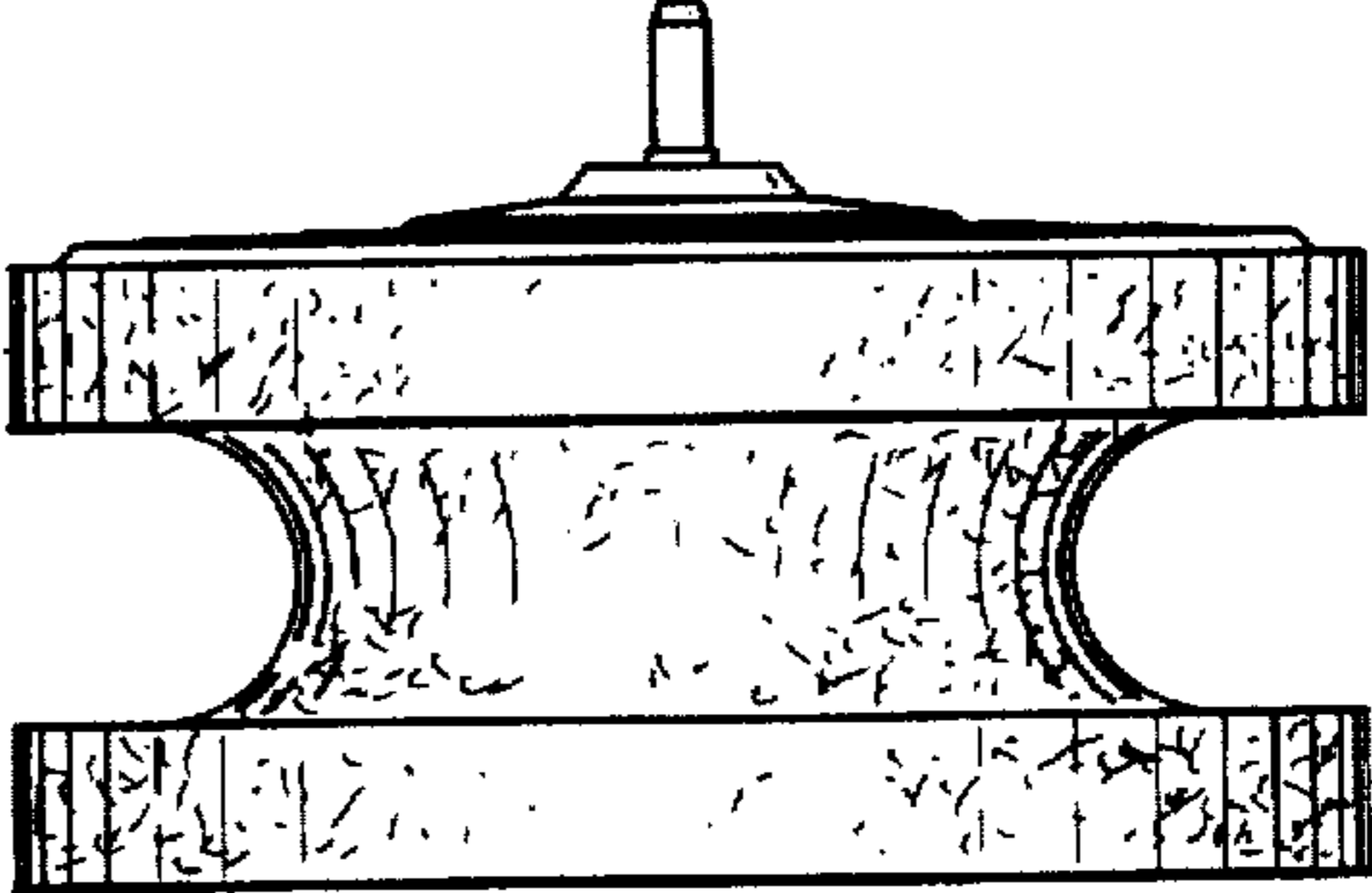


Fig. 3

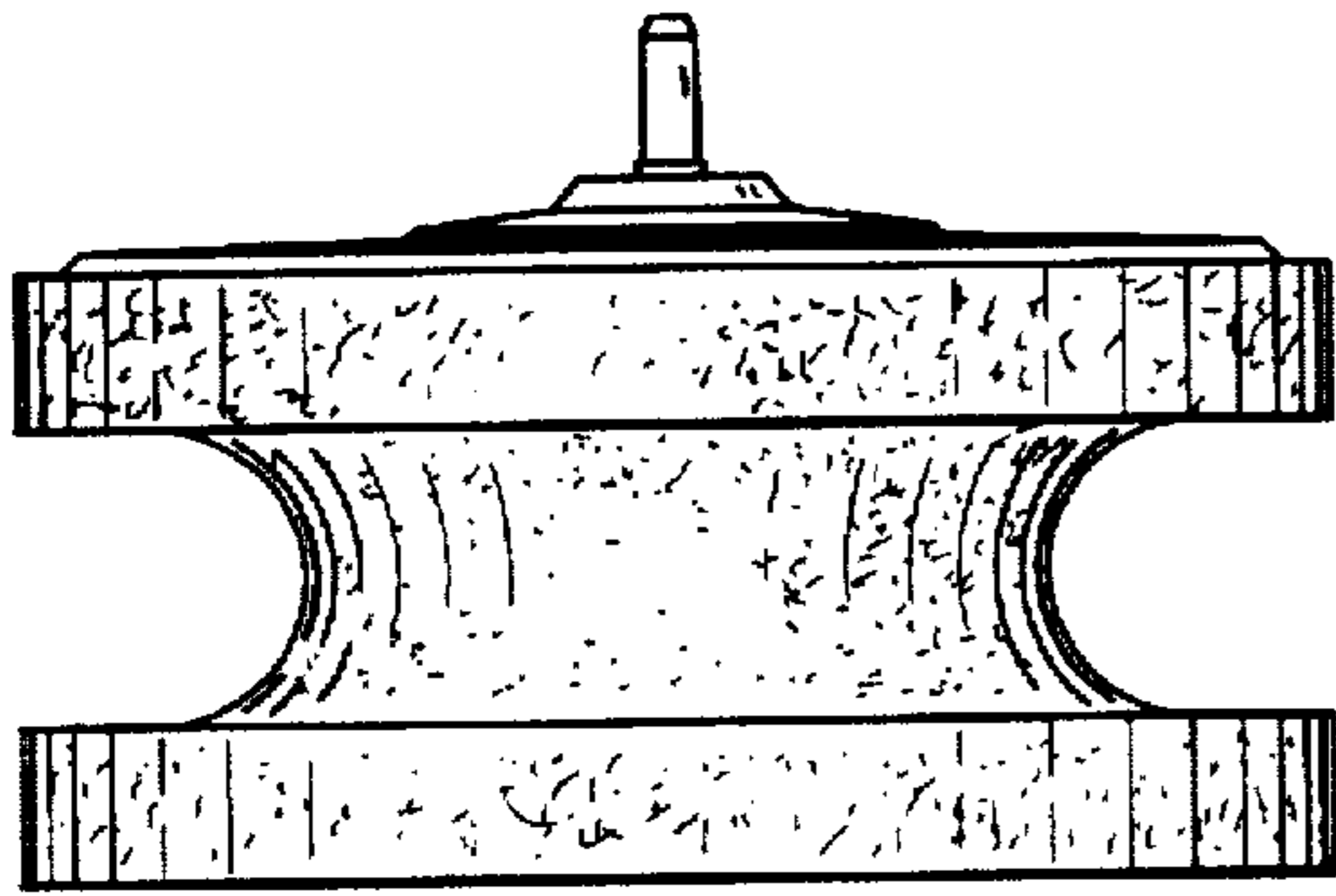


Fig. 4

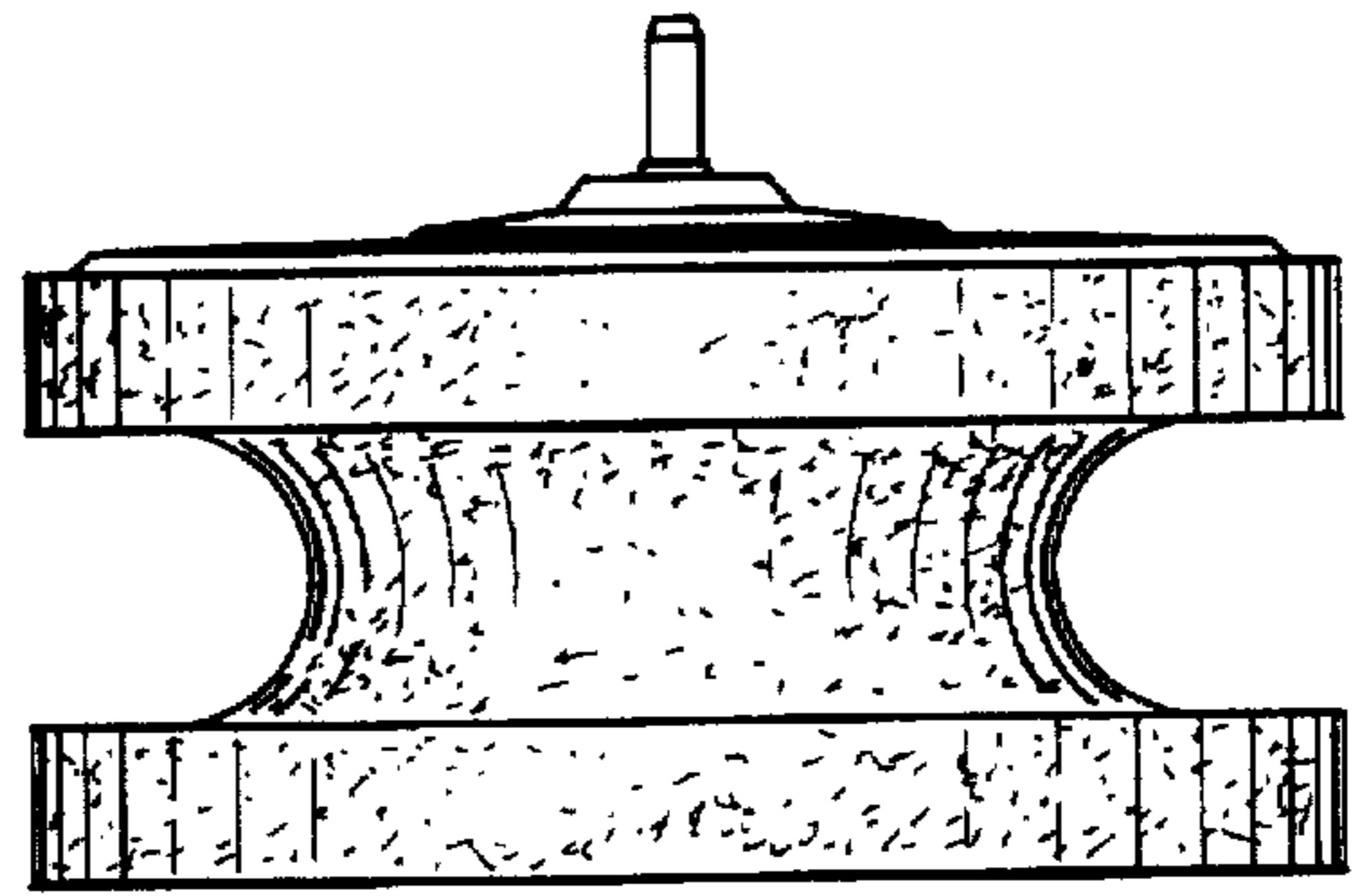


Fig. 5

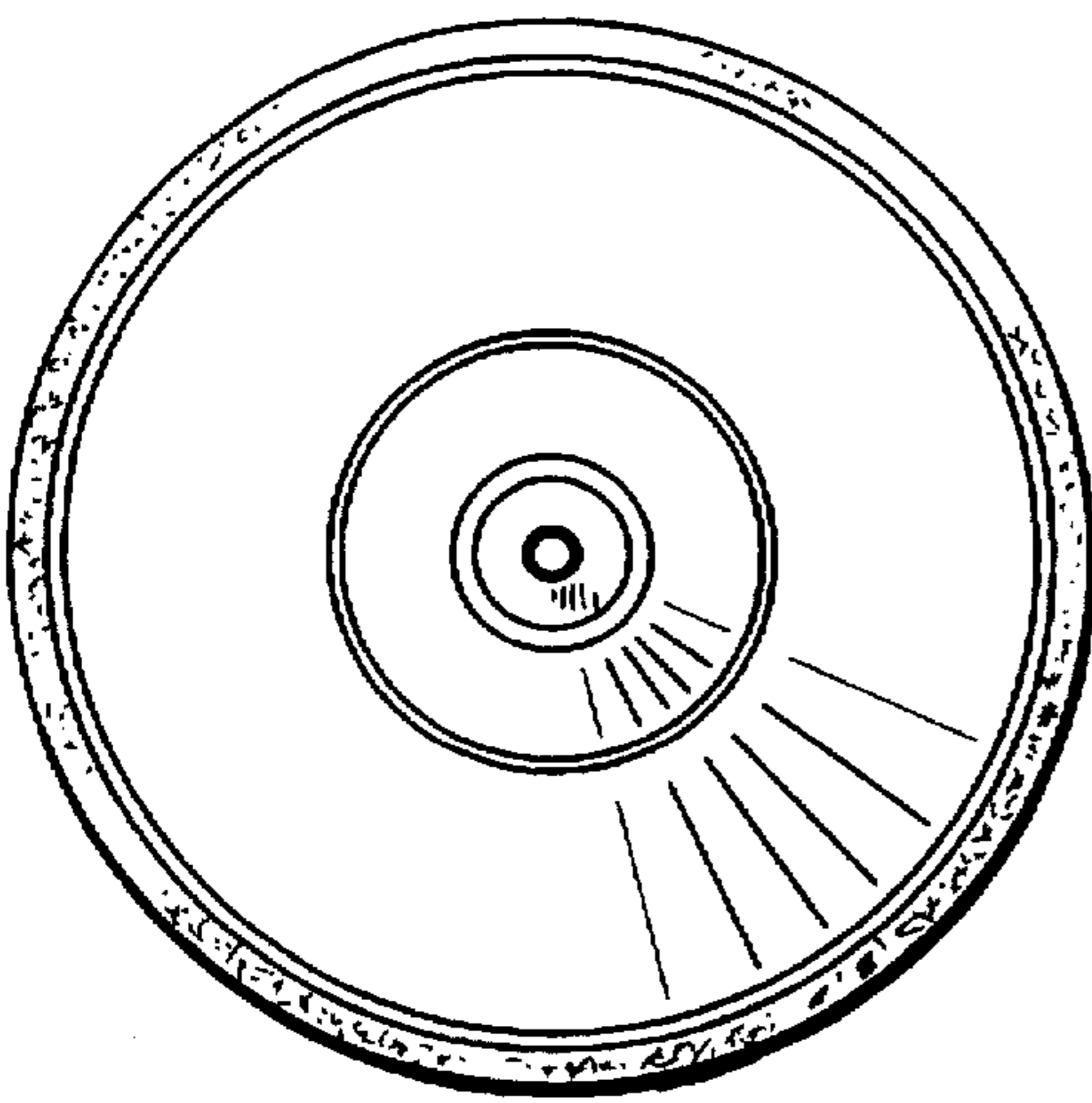


Fig. 6

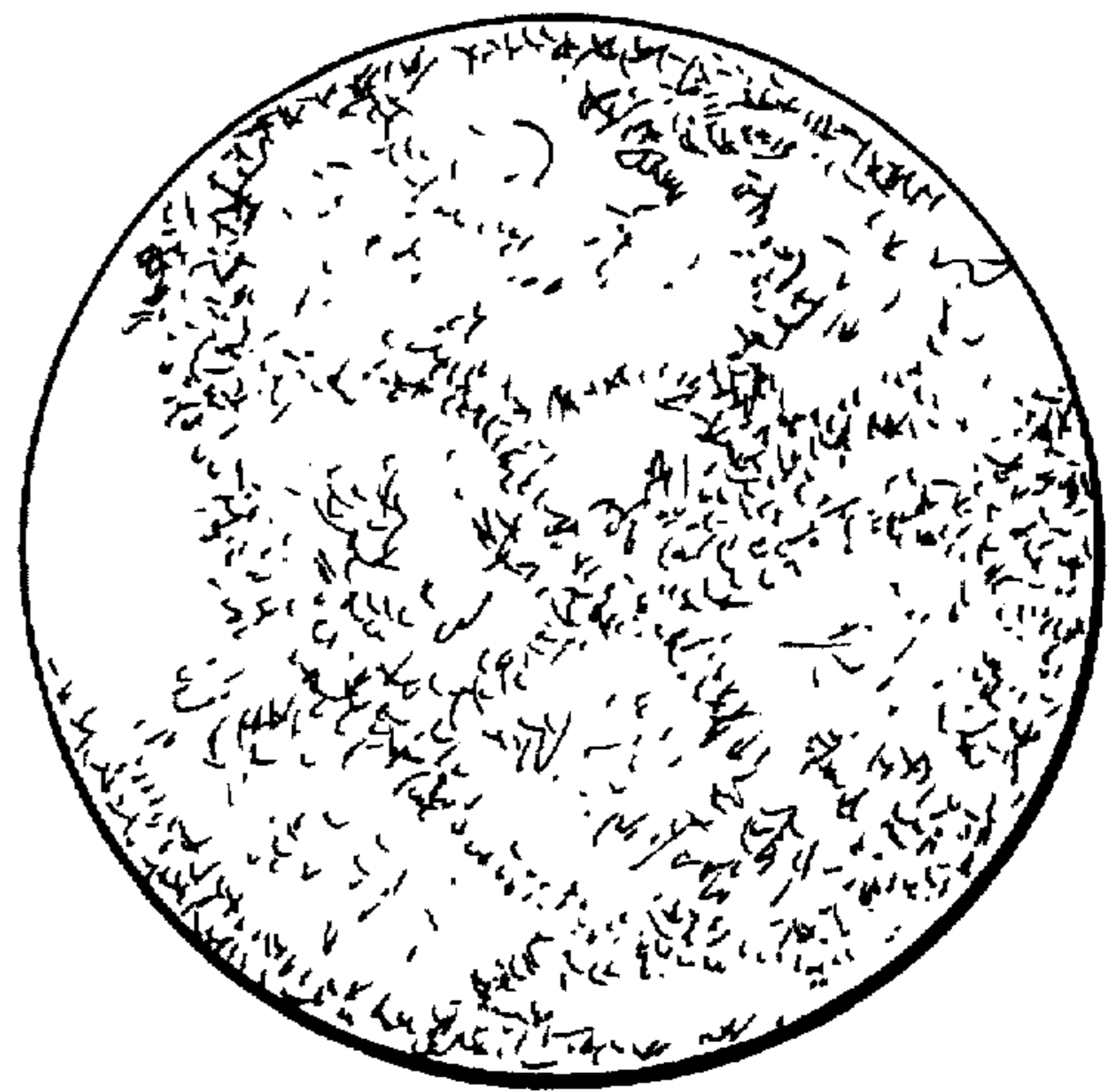


Fig. 7