



US00D397599S

United States Patent [19]

Stamp

[11] Patent Number: Des. 397,599

[45] Date of Patent: **Sep. 1, 1998

[54] HAND-HELD NUT DRIVER

[75] Inventor: Robert L. Stamp, Titusville, Pa.

[73] Assignee: Hold E-Zee, Ltd., Meadville, Pa.

[**] Term: 14 Years

[21] Appl. No.: 66,301

[22] Filed: Feb. 11, 1997

[51] LOC (6) Cl. 08-05

[52] U.S. Cl. D8/21; D8/21

[58] Field of Search D8/21, 29; 81/124.6, 81/124.7, 436, 489, 58, 177.1, 177.6; 7/138

[56] References Cited

U.S. PATENT DOCUMENTS

D. 57,775	5/1921	Graham	D8/29
1,510,059	9/1924	Holle	81/124.6
2,697,370	12/1954	Brooks	81/58
2,715,028	8/1955	Dossie	81/436 X
3,424,039	1/1969	Scott	D8/21 X
3,955,451	5/1976	Lohness	81/177.1
4,765,009	8/1988	Hung	81/124.7 X
5,201,257	4/1993	Engel	81/177.6
5,638,726	6/1997	Pelkonen et al.	81/177.6

FOREIGN PATENT DOCUMENTS

91019595 12/1991 WIPO 81/489

Primary Examiner—Sandra L. Morris

Assistant Examiner—Richelle Shelton

Attorney, Agent, or Firm—Lackenbach Siegel Marzullo Aronson & Greenspan, PC

[57] CLAIM

The ornamental design for a hand-held nut driver, as shown and described.

DESCRIPTION

FIG. 1 is a perspective view of a hand-held nut driver showing the first embodiment my new design. the handle shown in phantom outline is for illustrative purposes only and forms no part of the claimed design;

FIG. 2 is a top plan view thereof;

FIG. 3 is a right side elevational view thereof, the left side elevational view being a mirror image;

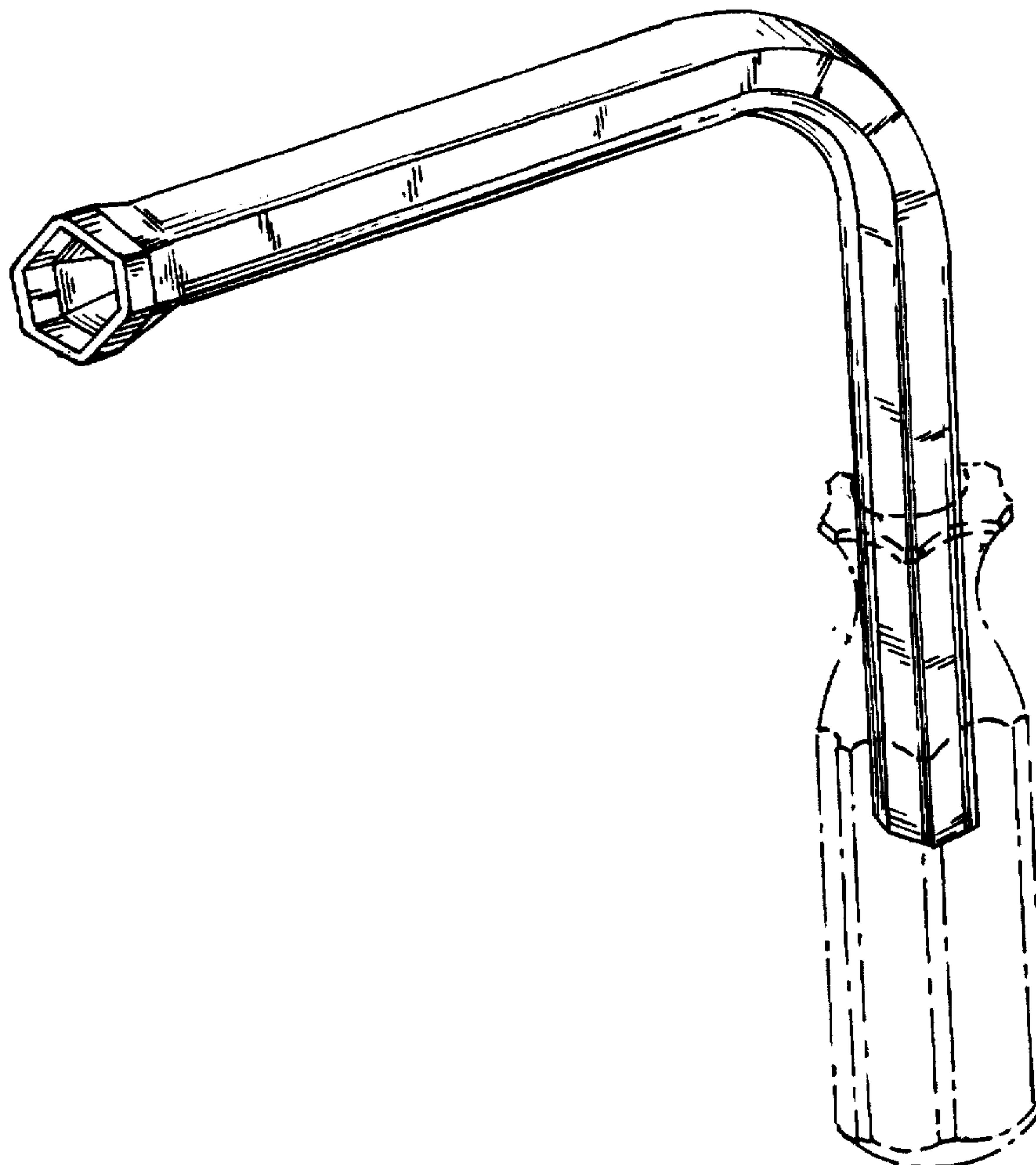
FIG. 4 is a front elevational view thereof;

FIG. 5 is a rear elevational view thereof;

FIG. 6 is a bottom plan view thereof; and,

FIG. 7 is a fragmented front elevational view of the second embodiment, the top plan view and the rear, right and left side elevational views are identical.

1 Claim, 3 Drawing Sheets



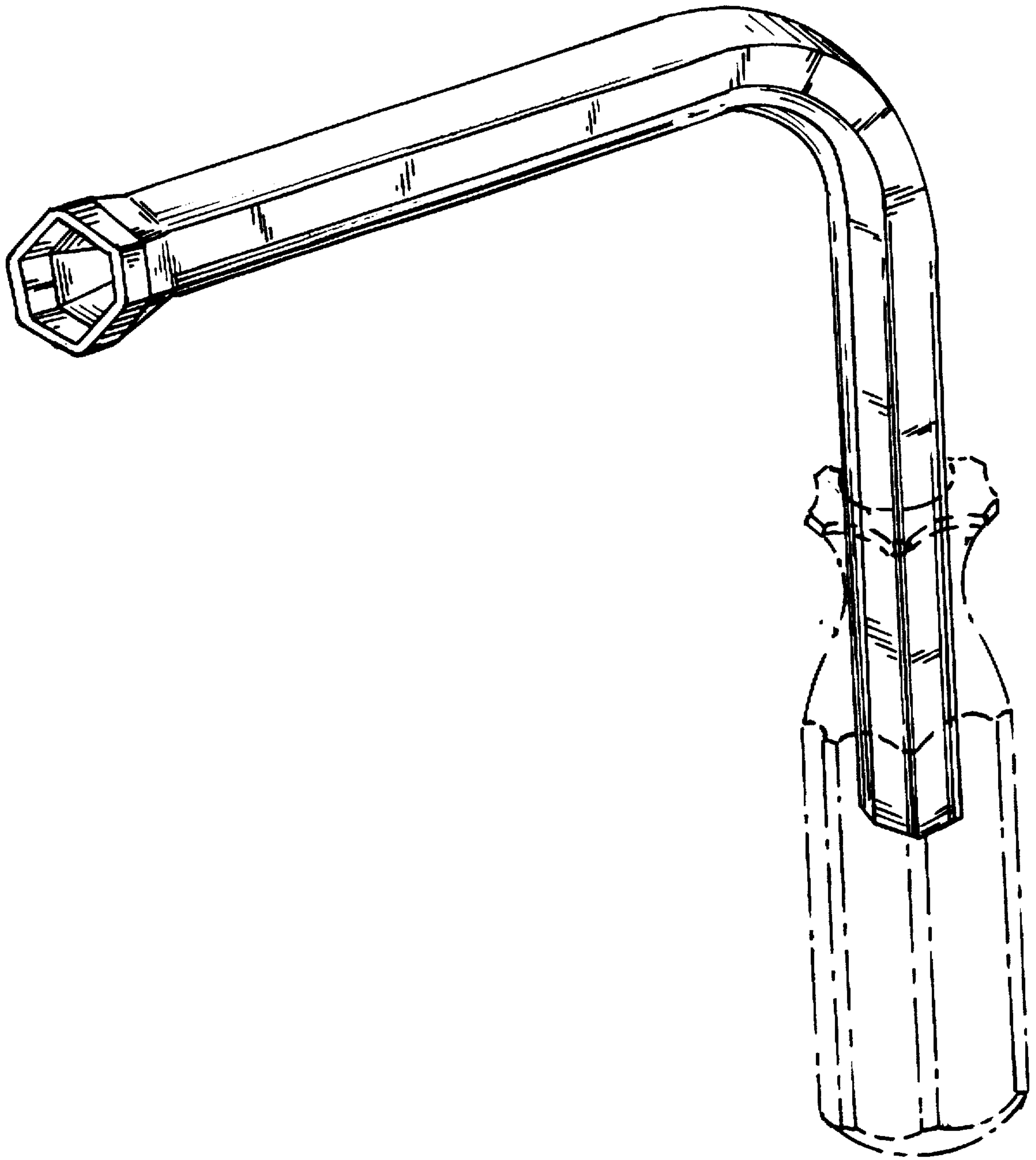


FIG. 1

FIG. 2

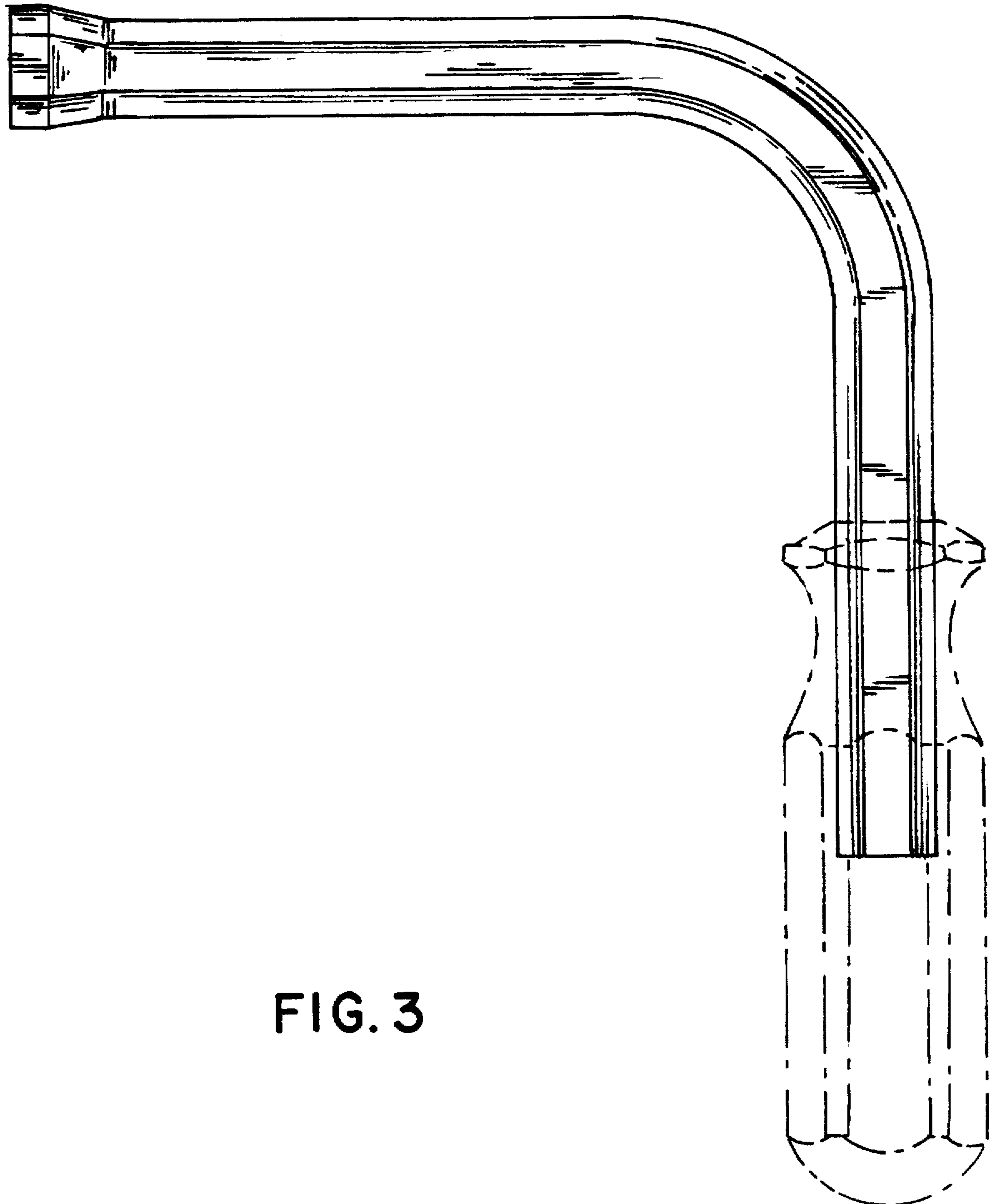
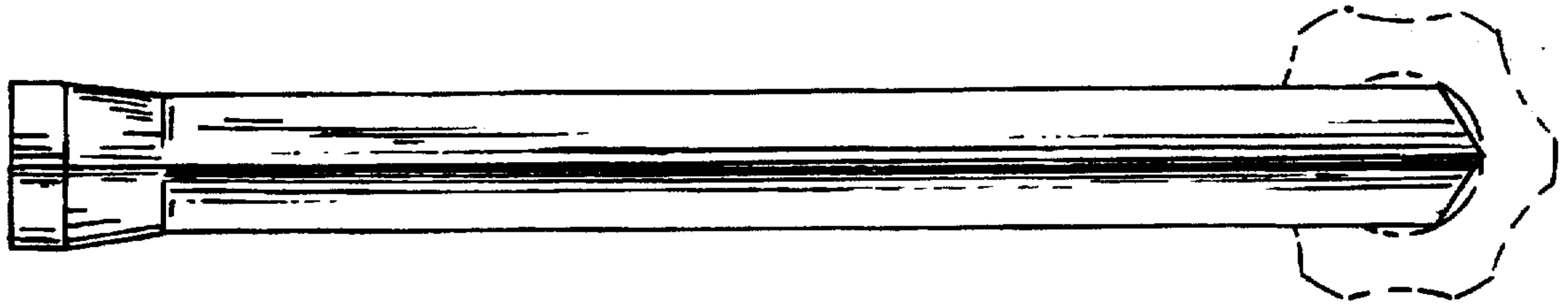


FIG. 3

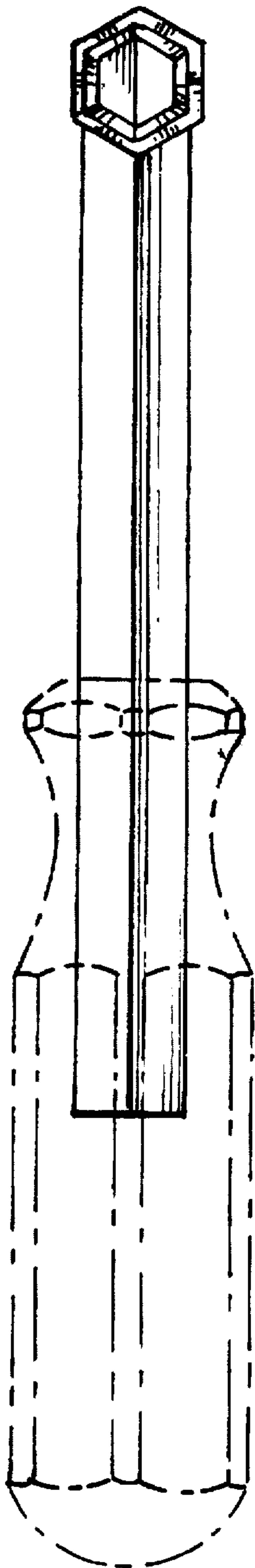


FIG. 4

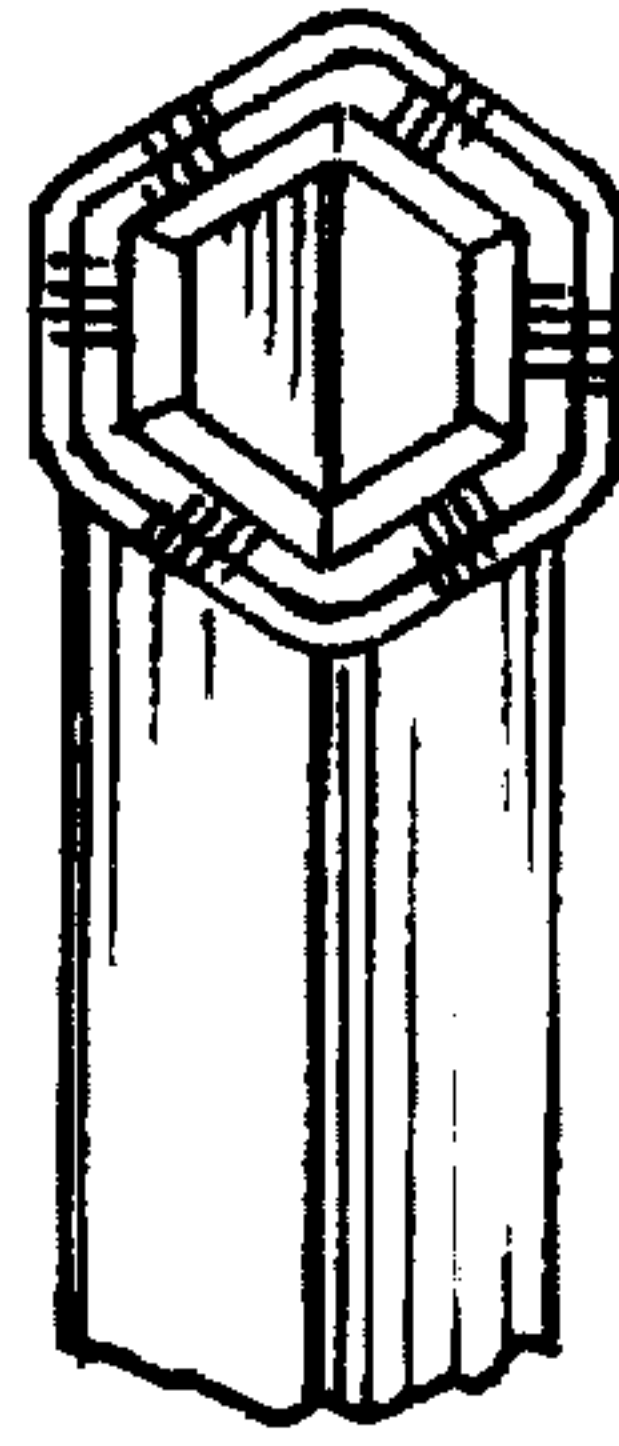


FIG. 7

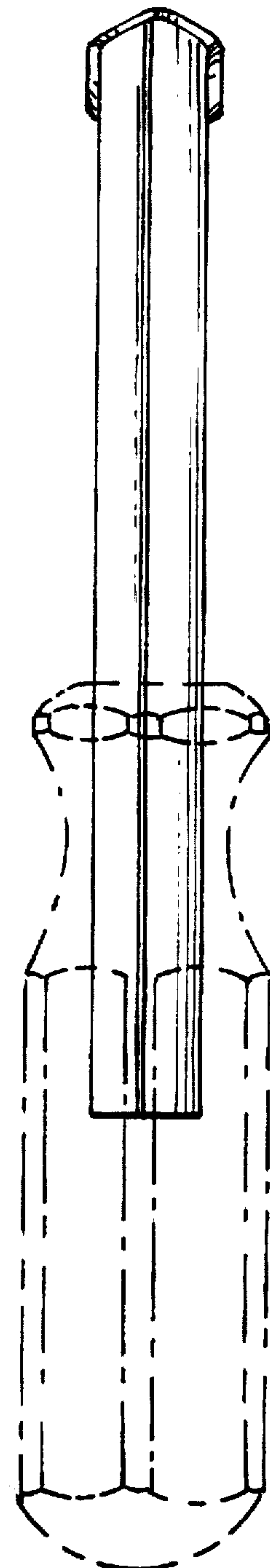


FIG. 5

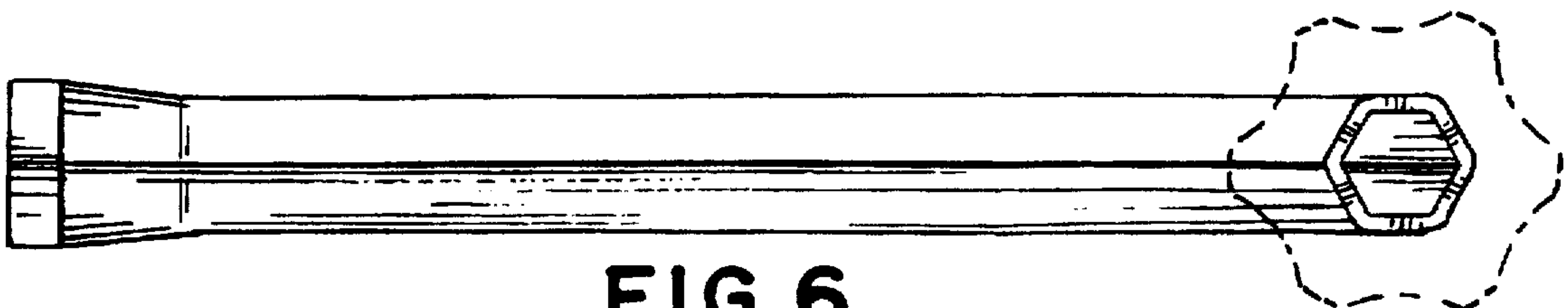


FIG. 6