



US00D397597S

United States Patent [19]

Davidson et al.

[11] Patent Number: **Des. 397,597**

[45] Date of Patent: ****Sep. 1, 1998**

[54] **SOCKET WRENCH**

[75] Inventors: **John B. Davidson, Chicago, Ill.; Peter M. Roberts, Chattanooga, Tenn.; Kenneth Svetlik, Schaumburg, Ill.**

[73] Assignee: **Roberts Tool International (USA), Inc., Chicago, Ill.**

[**] Term: **14 Years**

[21] Appl. No.: **35,978**

[22] Filed: **Jan. 10, 1995**

4,561,329 12/1985 Lack .
4,602,534 7/1986 Moetteli 81/177.85
5,178,047 1/1993 Arnold et al. .

OTHER PUBLICATIONS

Sears Power and Hand Tools Catalog, Sep. 1990, p. 20.

Primary Examiner—Sandra L. Morris
Assistant Examiner—Richelle Shelton
Attorney, Agent, or Firm—Brinks Hofer Gilson & Lione

[57] CLAIM

The ornamental design for a socket wrench, as shown and described.

Related U.S. Application Data

[63] Continuation-in-part of Ser. No. 11,202, Jul. 29, 1993, abandoned.

[51] LOC (6) Cl. **08-05**

[52] U.S. Cl. **D8/25; D8/29**

[58] Field of Search D8/21-29; 81/60-63.2, 81/177.1, 489, 52, 177.85

DESCRIPTION

FIG. 1 is a front top perspective view of a socket wrench showing our new design;

FIG. 2 is a front view thereof;

FIG. 3 is a top end view thereof;

FIG. 4 is a bottom end view thereof;

FIG. 5 is a right side view thereof;

FIG. 6 is a rear view thereof;

FIG. 7 is a left side view thereof;

FIG. 8 is a front top perspective view of an alternative socket wrench showing our new design;

FIG. 9 is a front view thereof;

FIG. 10 is a top end view thereof;

FIG. 11 is a bottom end view thereof;

FIG. 12 is a right side view thereof;

FIG. 13 is a rear view thereof; and,

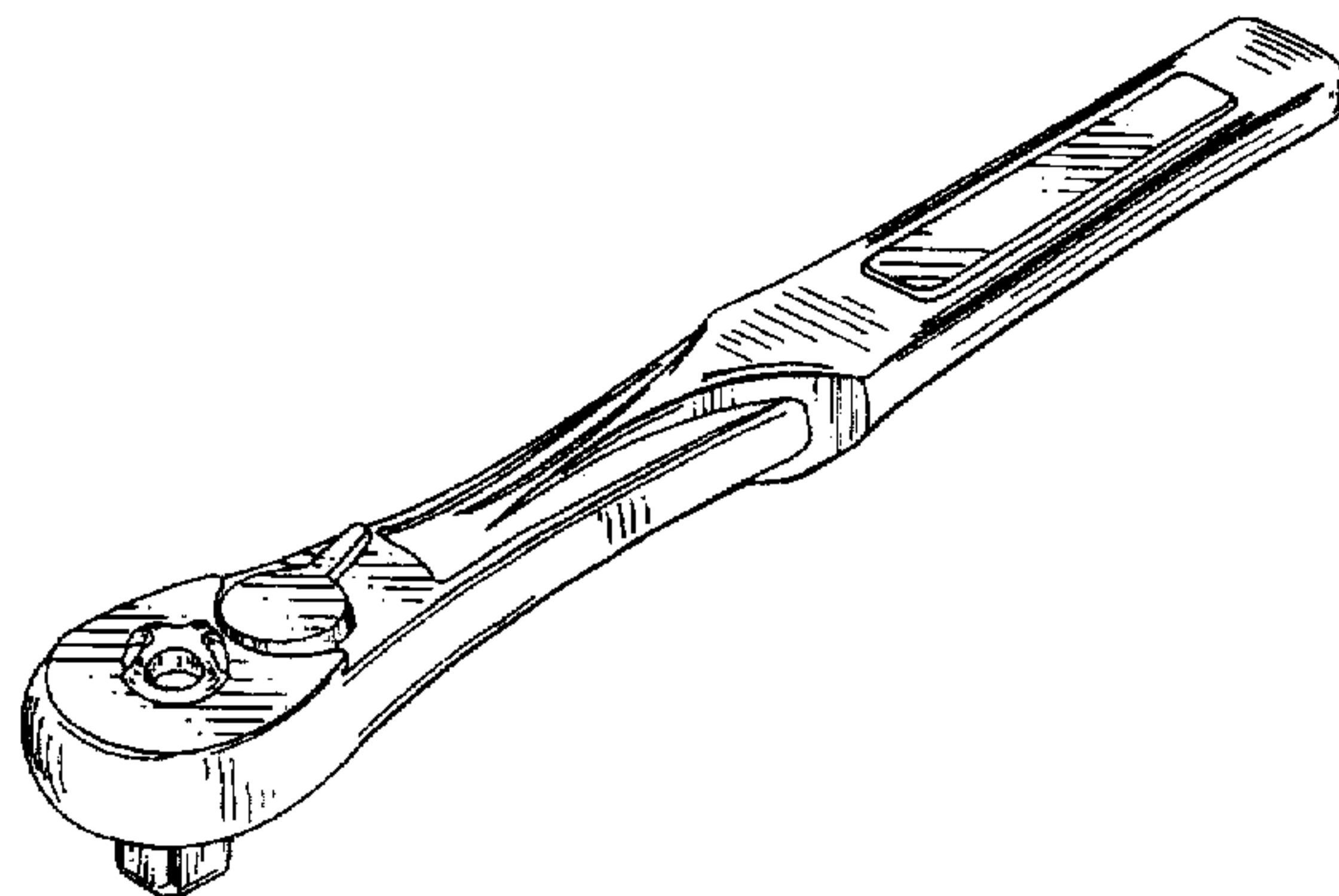
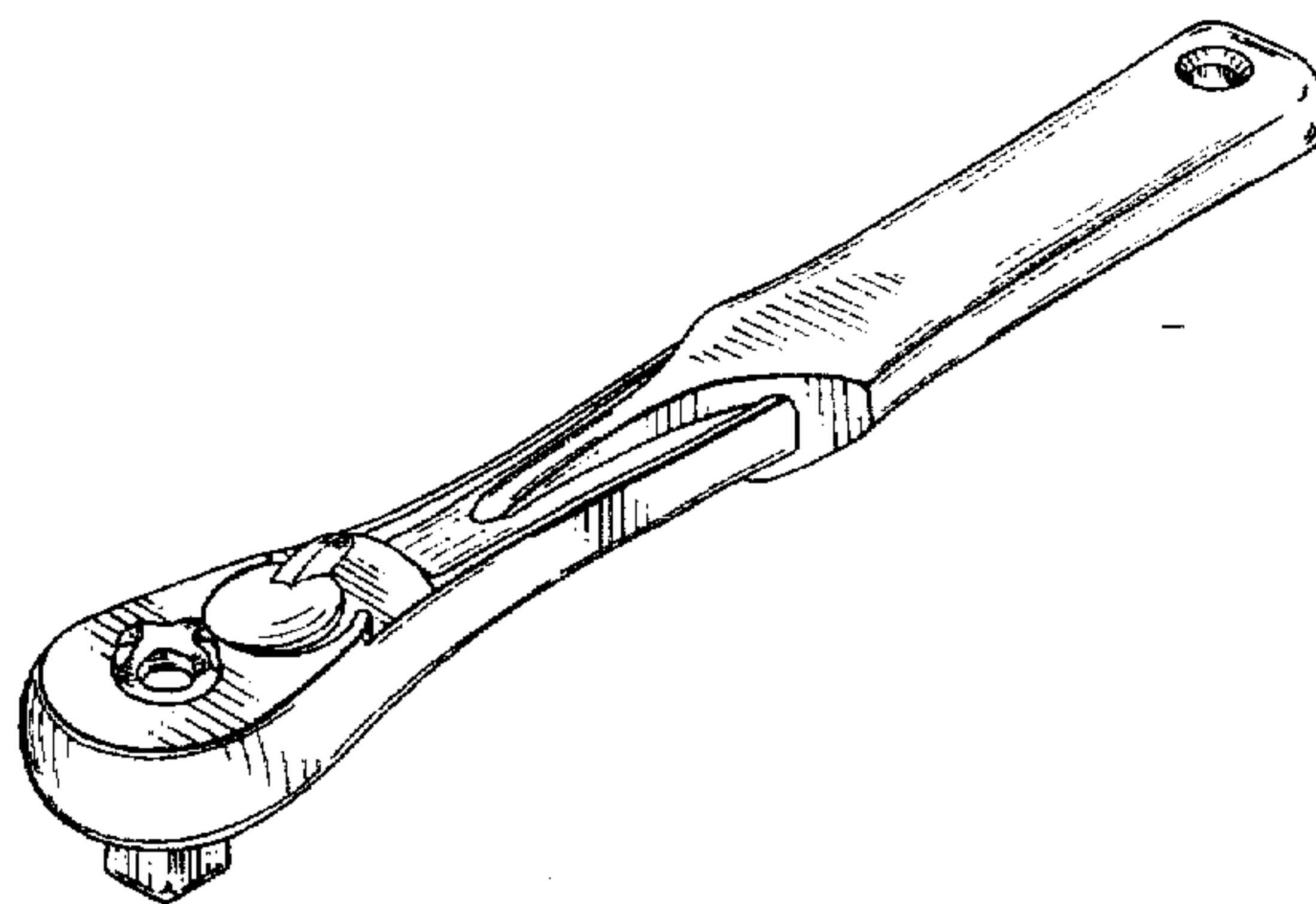
FIG. 14 is a left side view thereof.

[56] References Cited

U.S. PATENT DOCUMENTS

- D. 255,978 7/1980 Albertson .
- D. 275,726 10/1984 Cleminshaw .
- D. 300,296 3/1989 Krapowicz et al. .
- D. 326,985 6/1992 Chow .
- D. 329,970 10/1992 Lee .
- D. 340,628 10/1993 Chow .
- 2,982,161 5/1961 Angquist et al. 81/62
- 3,087,364 4/1963 Witmer 81/52

1 Claim, 4 Drawing Sheets



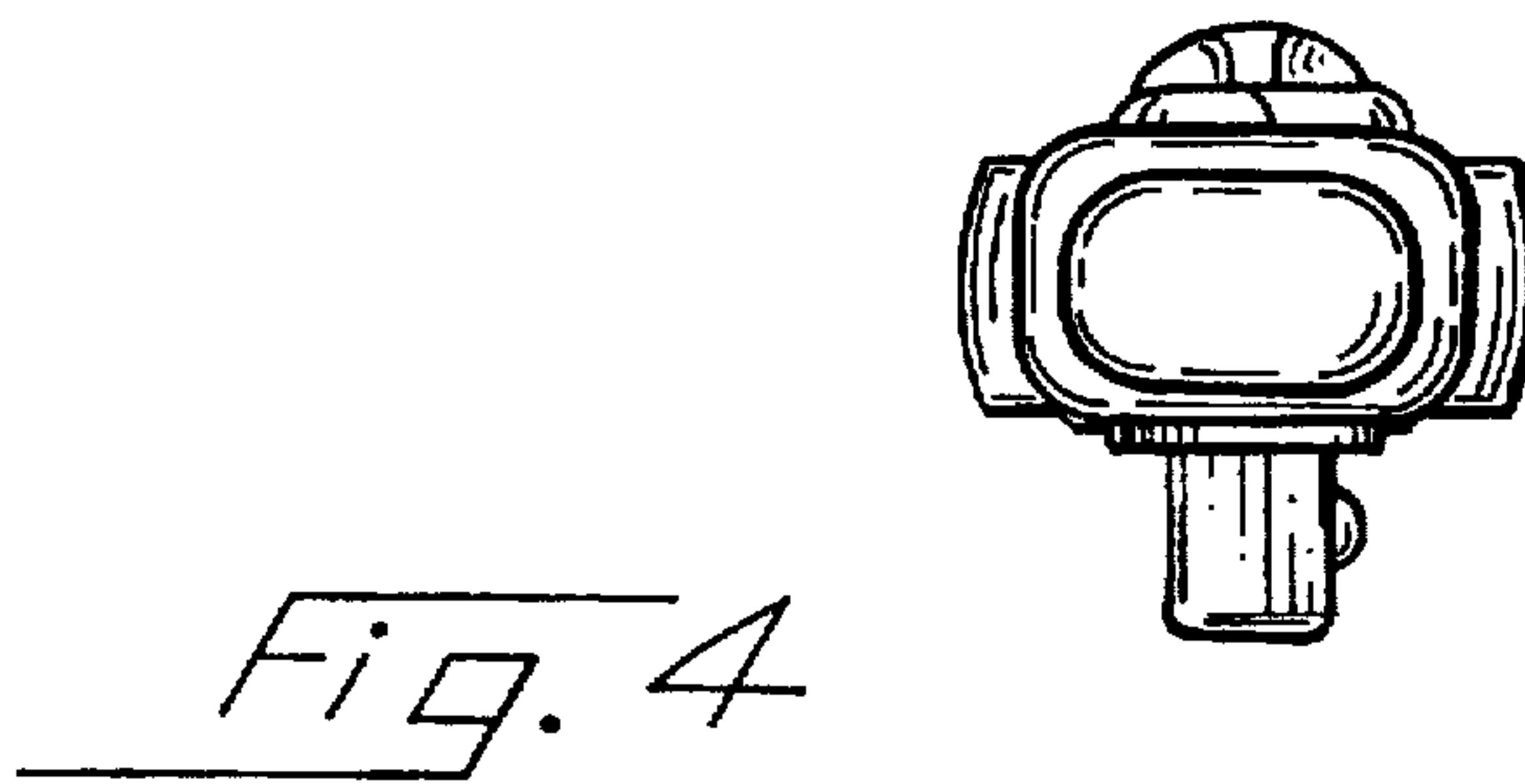
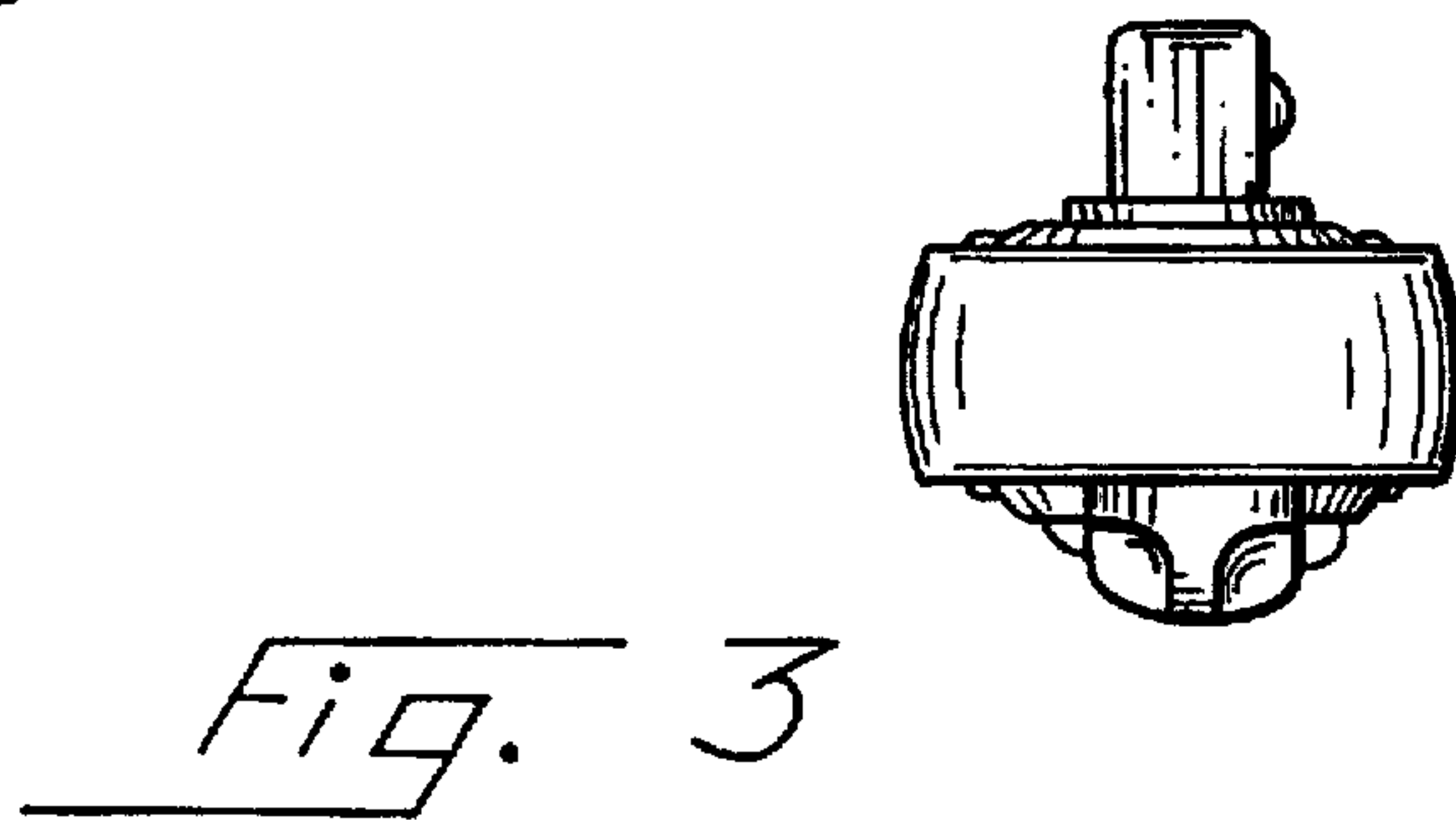
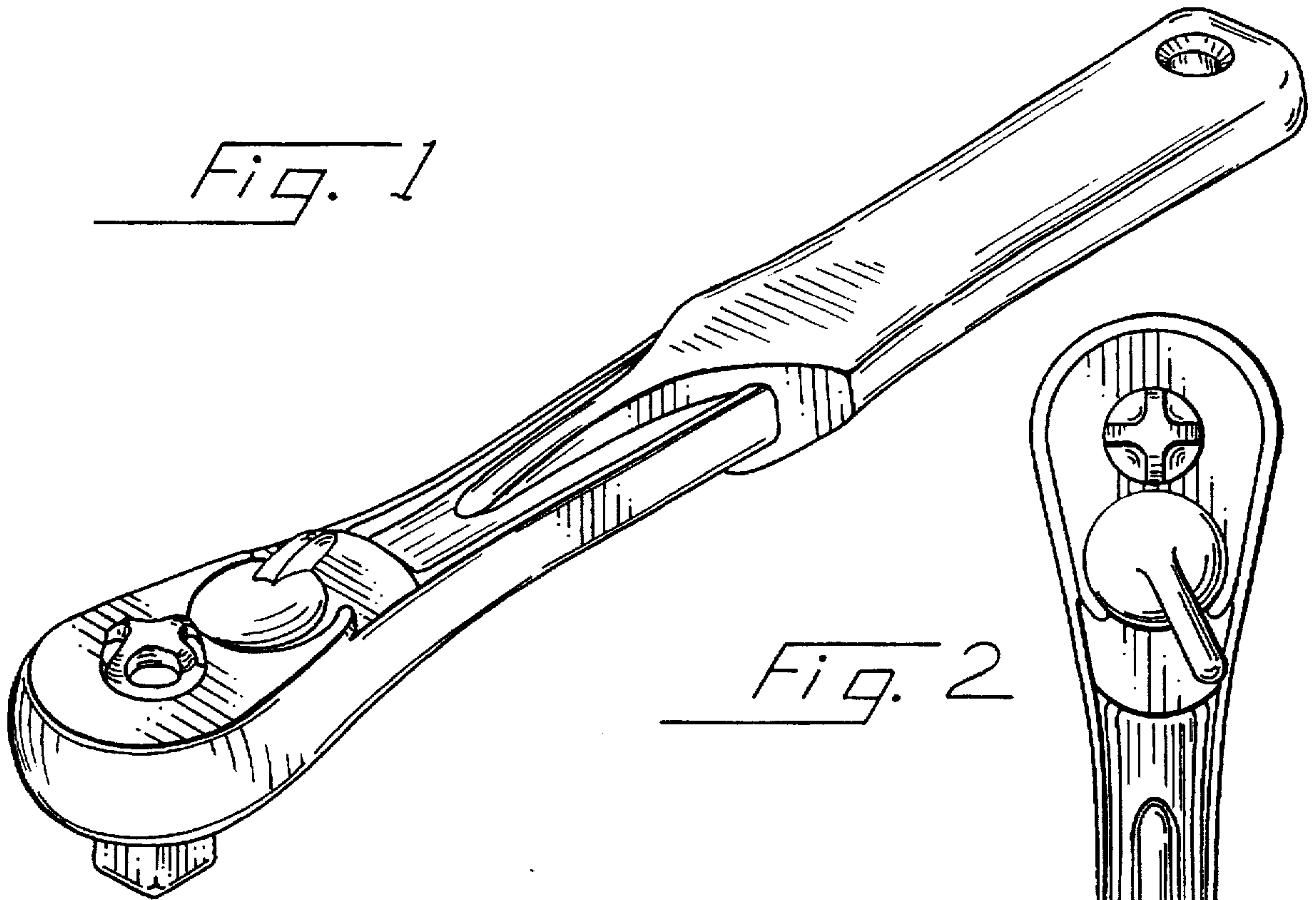


Fig. 5

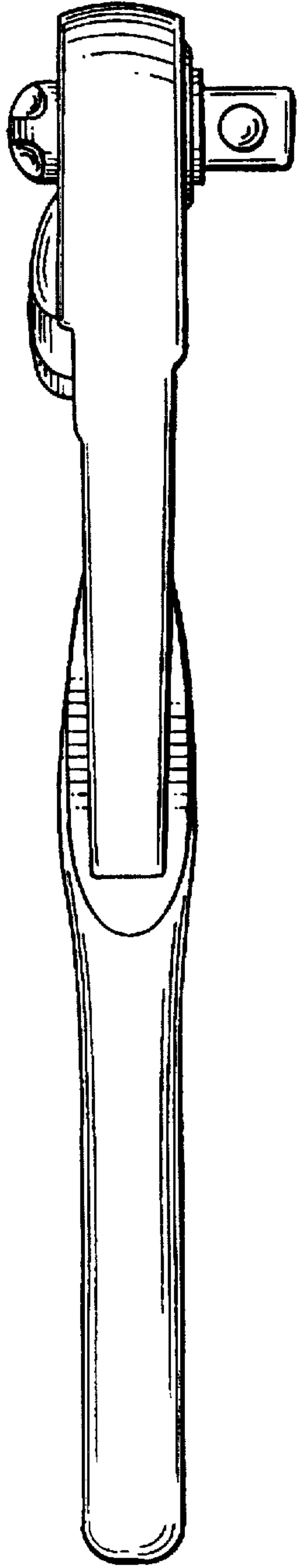


Fig. 6

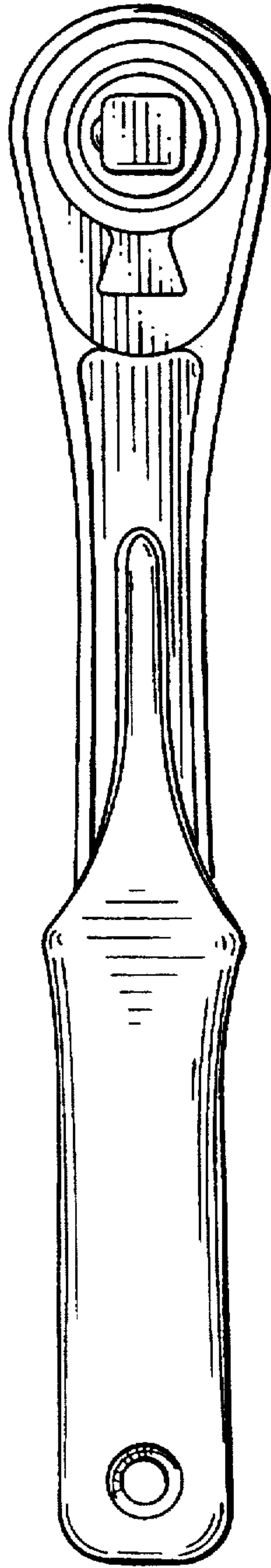
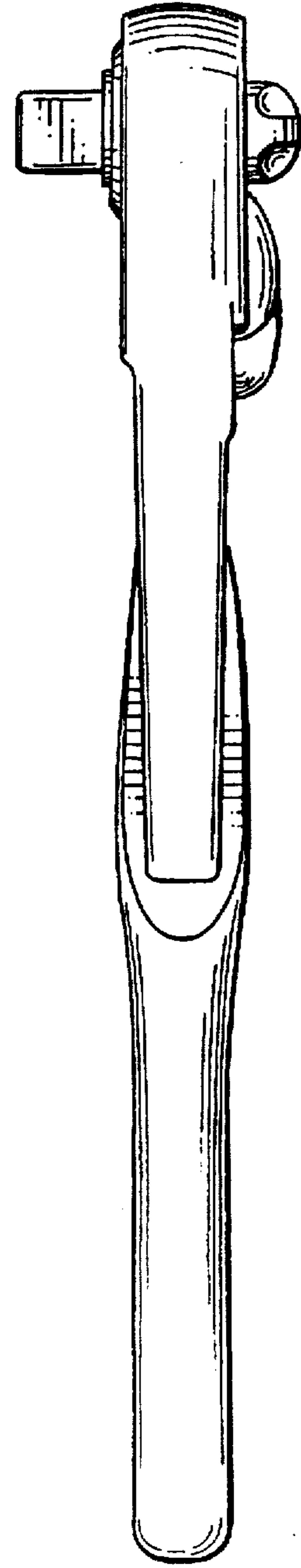


Fig. 7



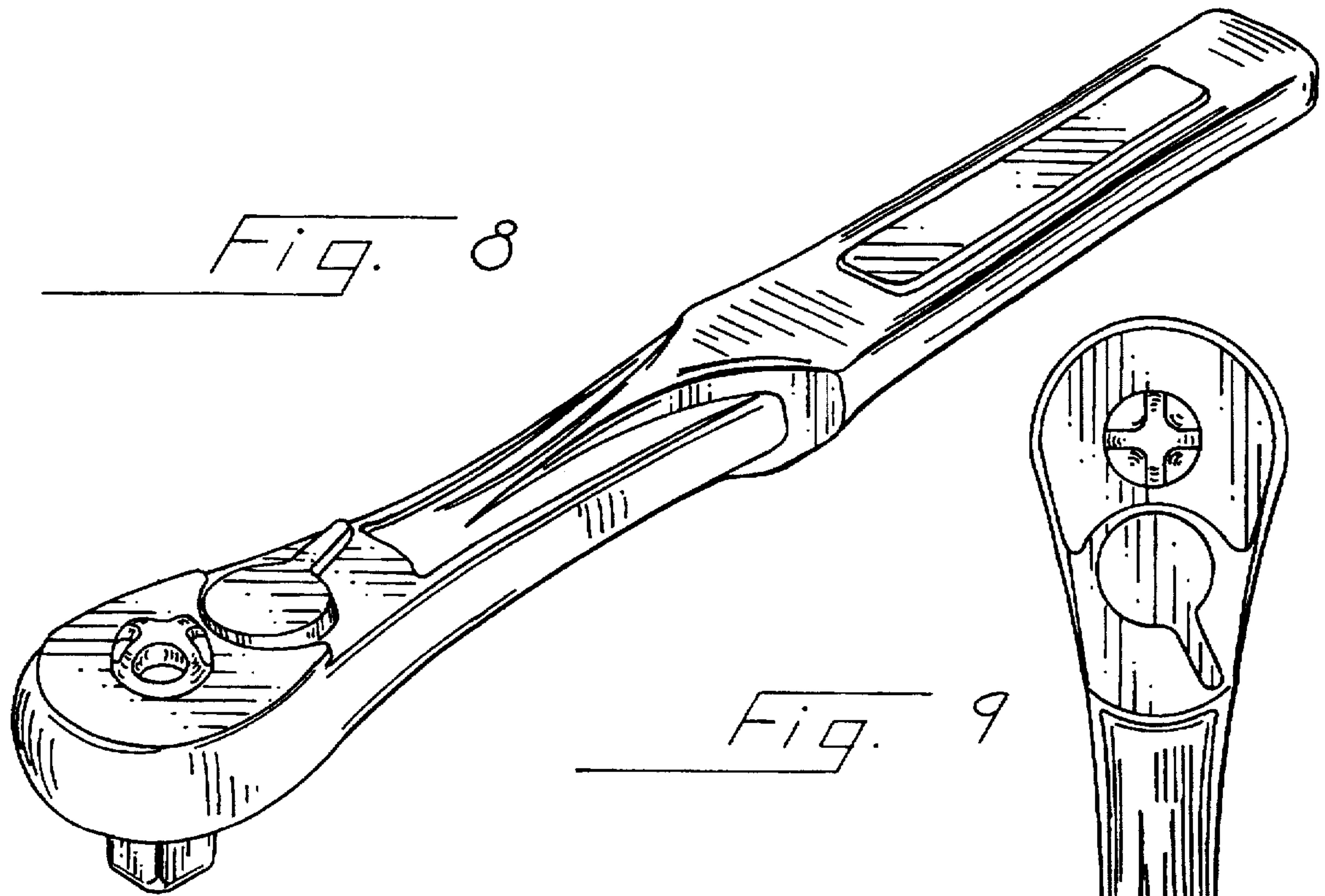


Fig. 8

Fig. 9

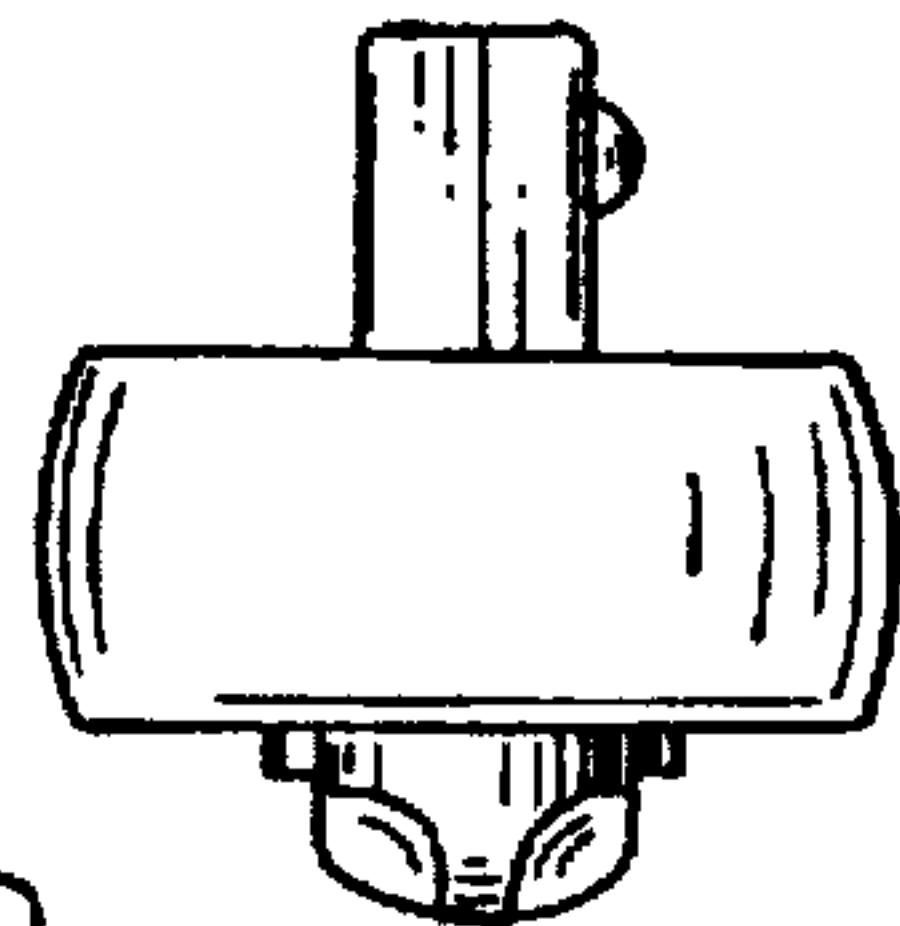
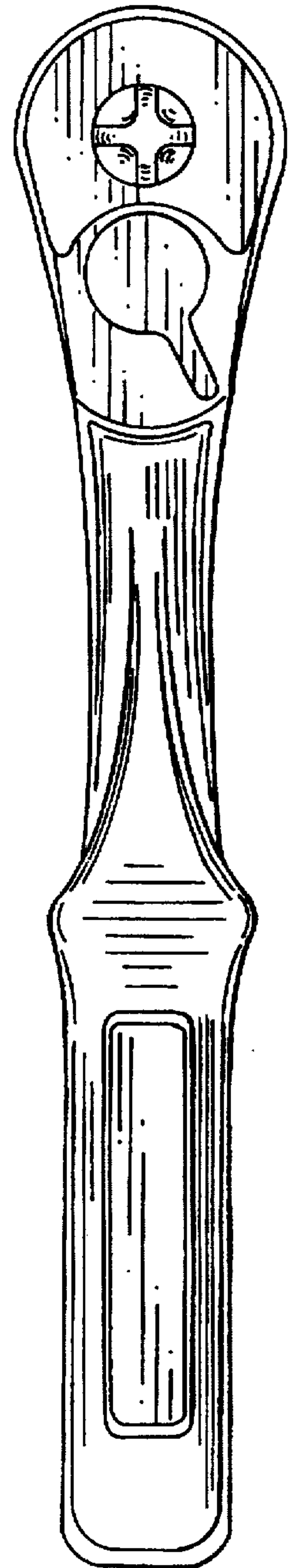


Fig. 10

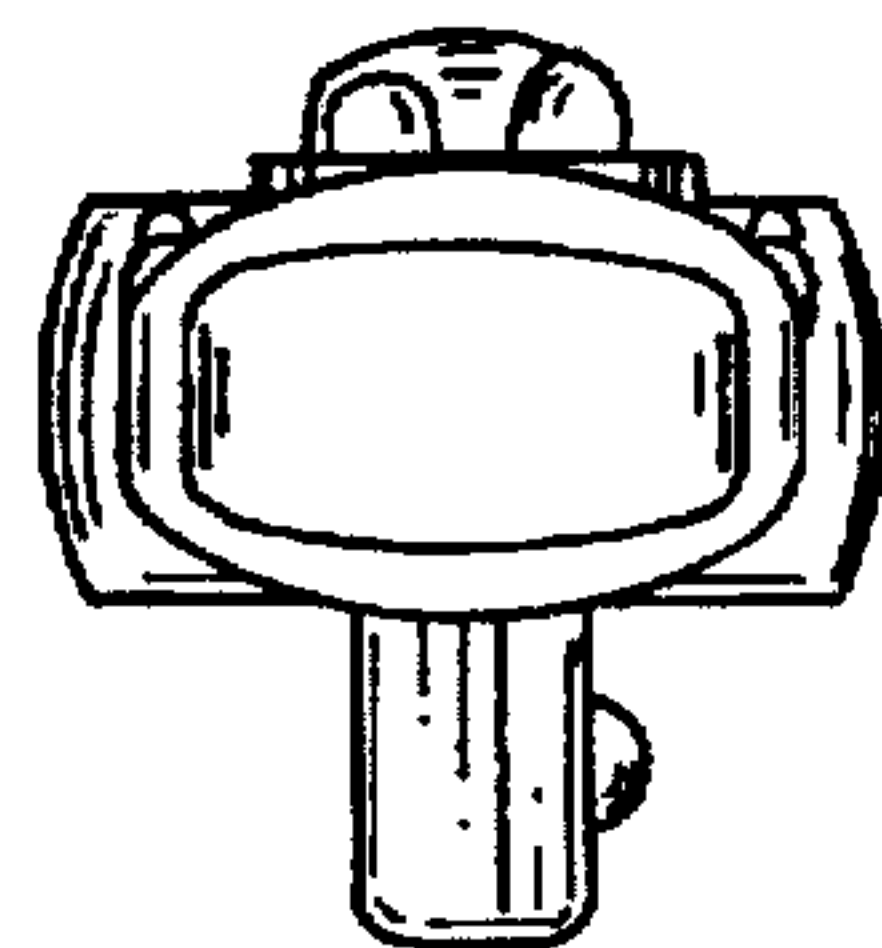


Fig. 11

Fig. 12

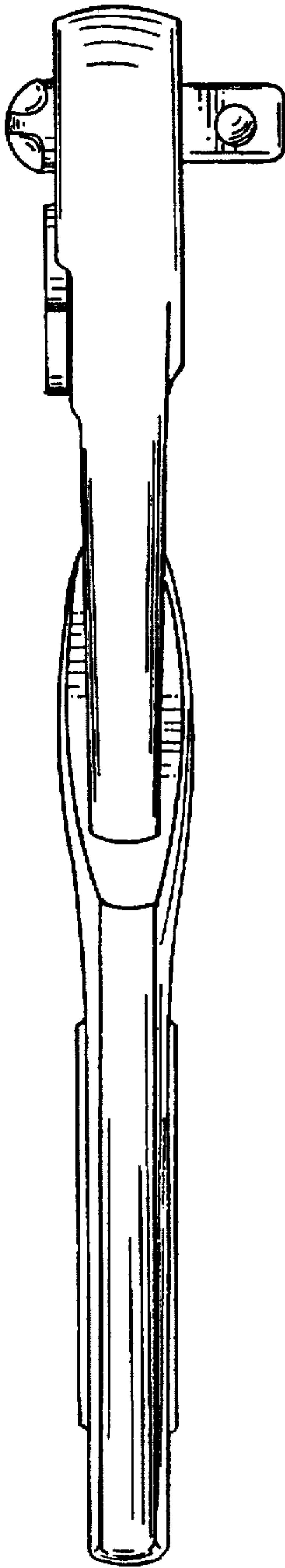


Fig. 13

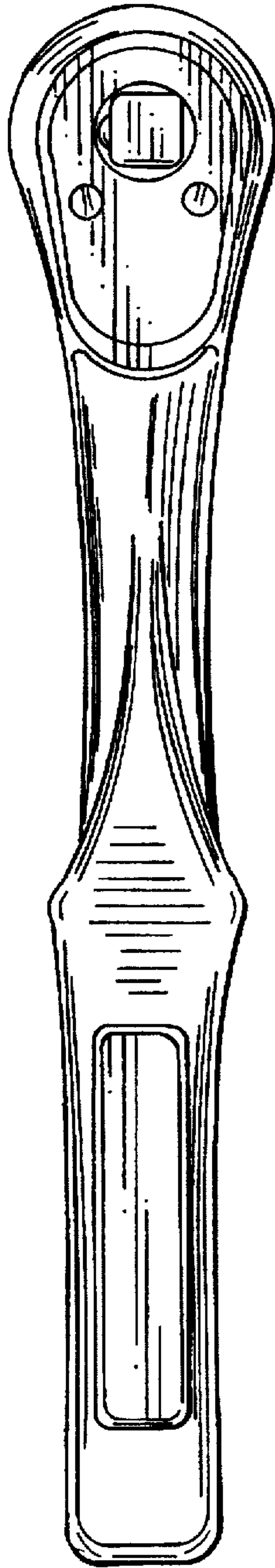


Fig. 14

