



US00D397592S

United States Patent [19] Widmer

[11] Patent Number: **Des. 397,592**
[45] Date of Patent: ****Sep. 1, 1998**

[54] **GOLF RAKE**

[75] Inventor: **Stanley W. Widmer**, Browerville, Minn.

[73] Assignee: **Par Aide Products Co.**, St. Paul, Minn.

[**] Term: **14 Years**

[21] Appl. No.: **71,076**

[22] Filed: **May 19, 1997**

[51] LOC (6) Cl. **08-01**

[52] U.S. Cl. **D8/13**

[58] Field of Search D8/1, 6, 13; 56/400.01, 56/400.04, 400.05, 400.06, 400.17, 400.21; 172/371-375, 378, 380, 381; 15/142; D4/136

[56] **References Cited**

U.S. PATENT DOCUMENTS

D. 310,619	9/1990	Schade	D8/13
D. 329,785	9/1992	Colonello	D8/13
D. 373,056	8/1996	Hueber	D8/13
4,741,150	5/1988	Saksun	56/400.21

OTHER PUBLICATIONS

"1997 Catalog of Golf Course Accessories", *Stanford Golf Company*, ©1996, Rakes, pp. 18, 19 & 38.
"Golf Course Accessories", *LESCO, Inc.*, (1995), Rakes pp. 14-15.

Primary Examiner—Alan P. Douglas
Assistant Examiner—Lavone D. Tabor
Attorney, Agent, or Firm—Schwegman, Lundberg, Woessner & Kluth, P.A.

[57] **CLAIM**

The ornamental design for a golf rake, as shown and described.

DESCRIPTION

FIG. 1 is a rear perspective view of a golf rake, incorporating the new design;

FIG. 2 is a front elevation of the golf rake of FIG. 1;

FIG. 3 is a rear elevation of the golf rake of FIG. 1;

FIG. 4 is a right side elevation the golf rake of FIG. 1;

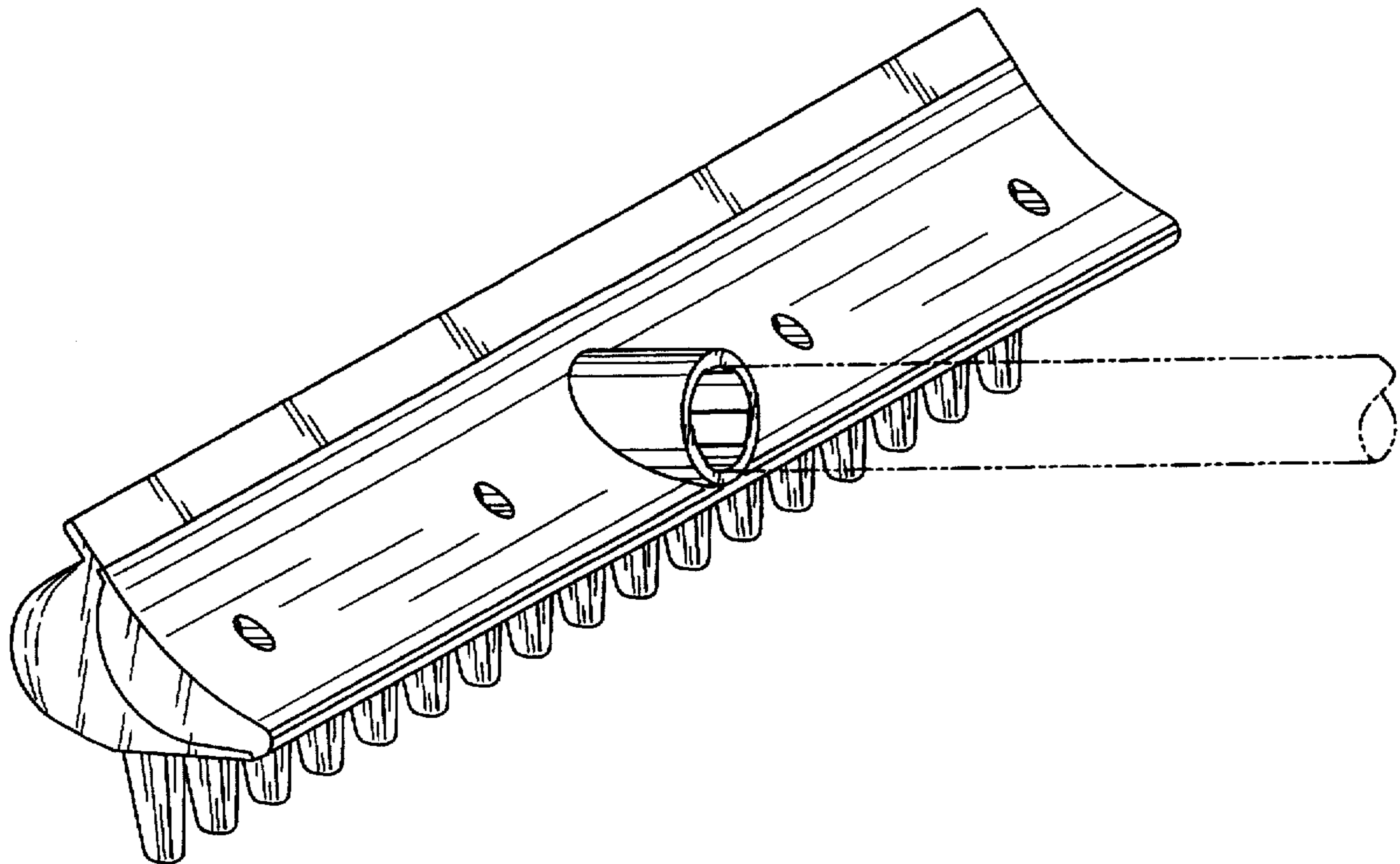
FIG. 5 is a left side elevation the golf rake of FIG. 1;

FIG. 6 is a top plan of the golf rake of FIG. 1; and,

FIG. 7 is a bottom plan of the golf rake of FIG. 1.

The broken line showing of a handle is for illustrative purposes only and forms no part of the claimed design.

1 Claim, 4 Drawing Sheets



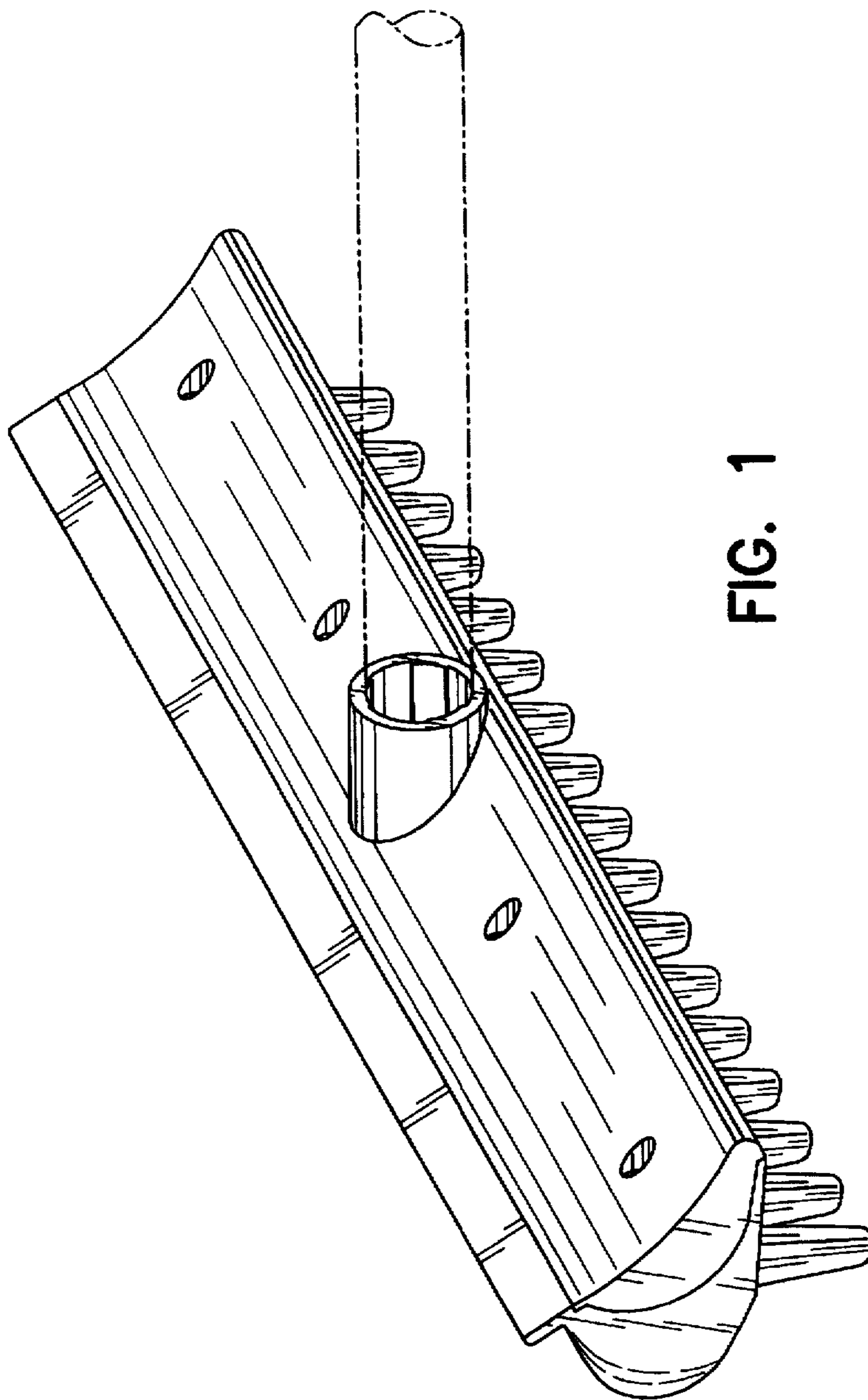


FIG. 1

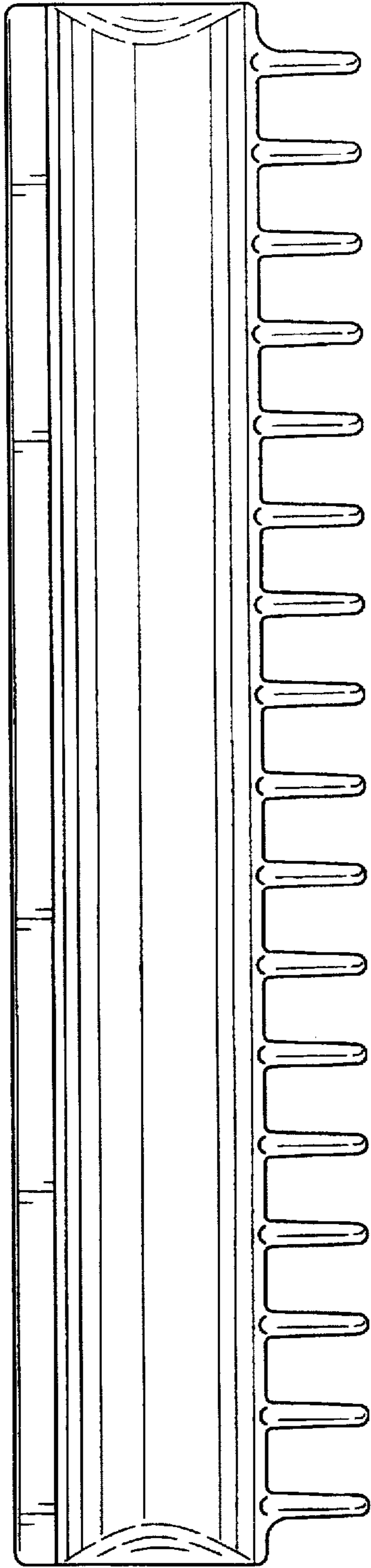


FIG. 2

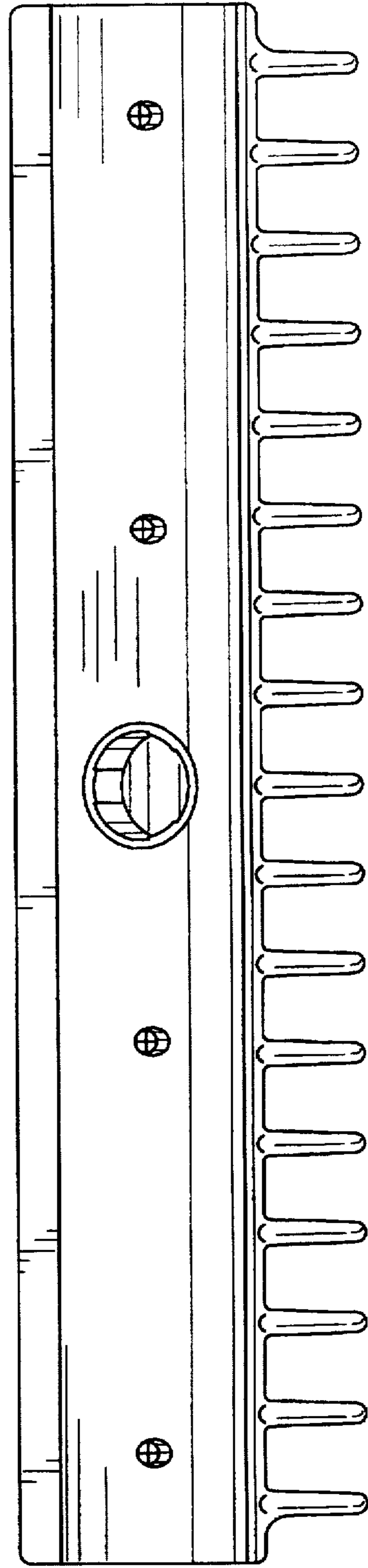


FIG. 3

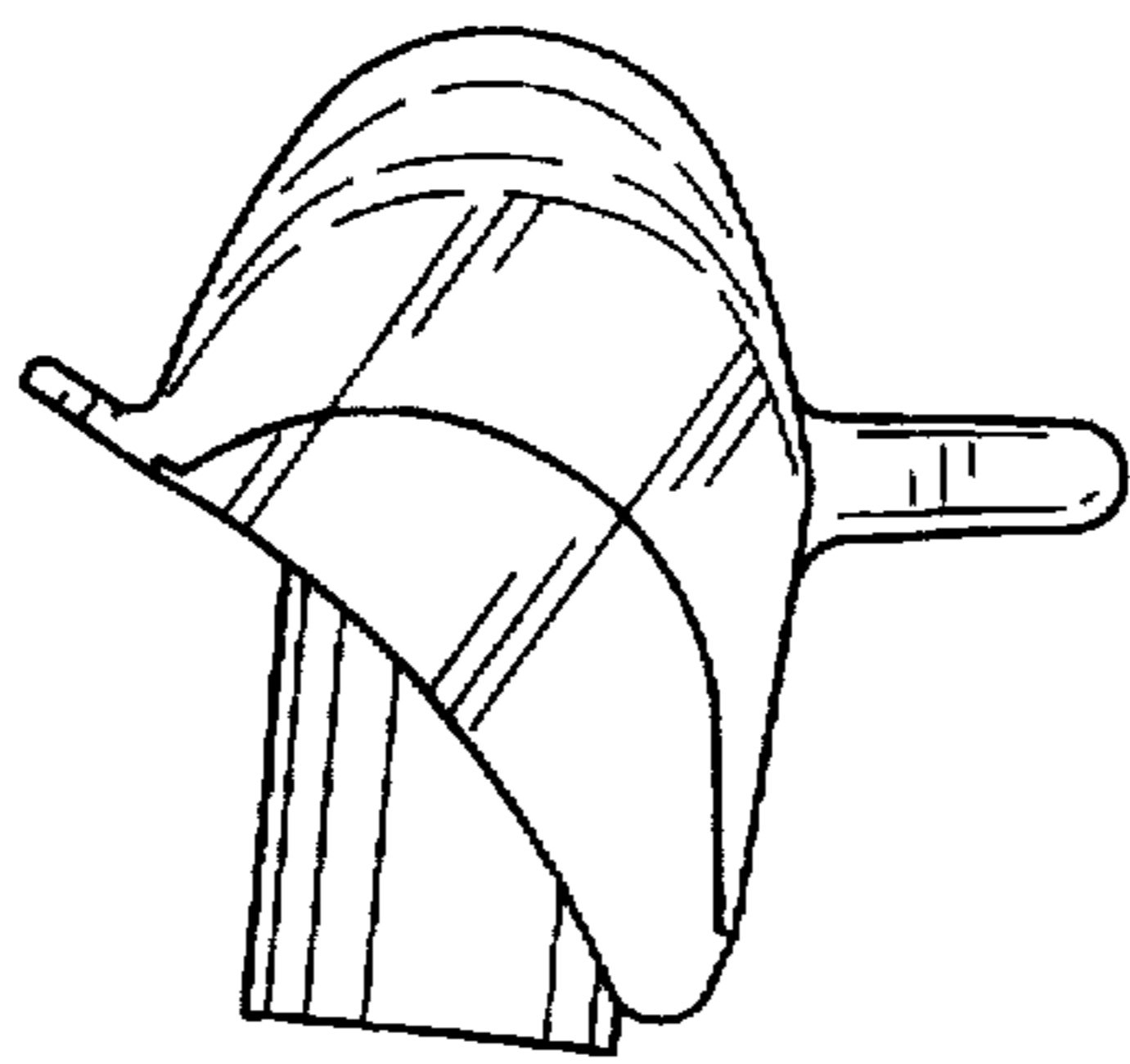


FIG. 5

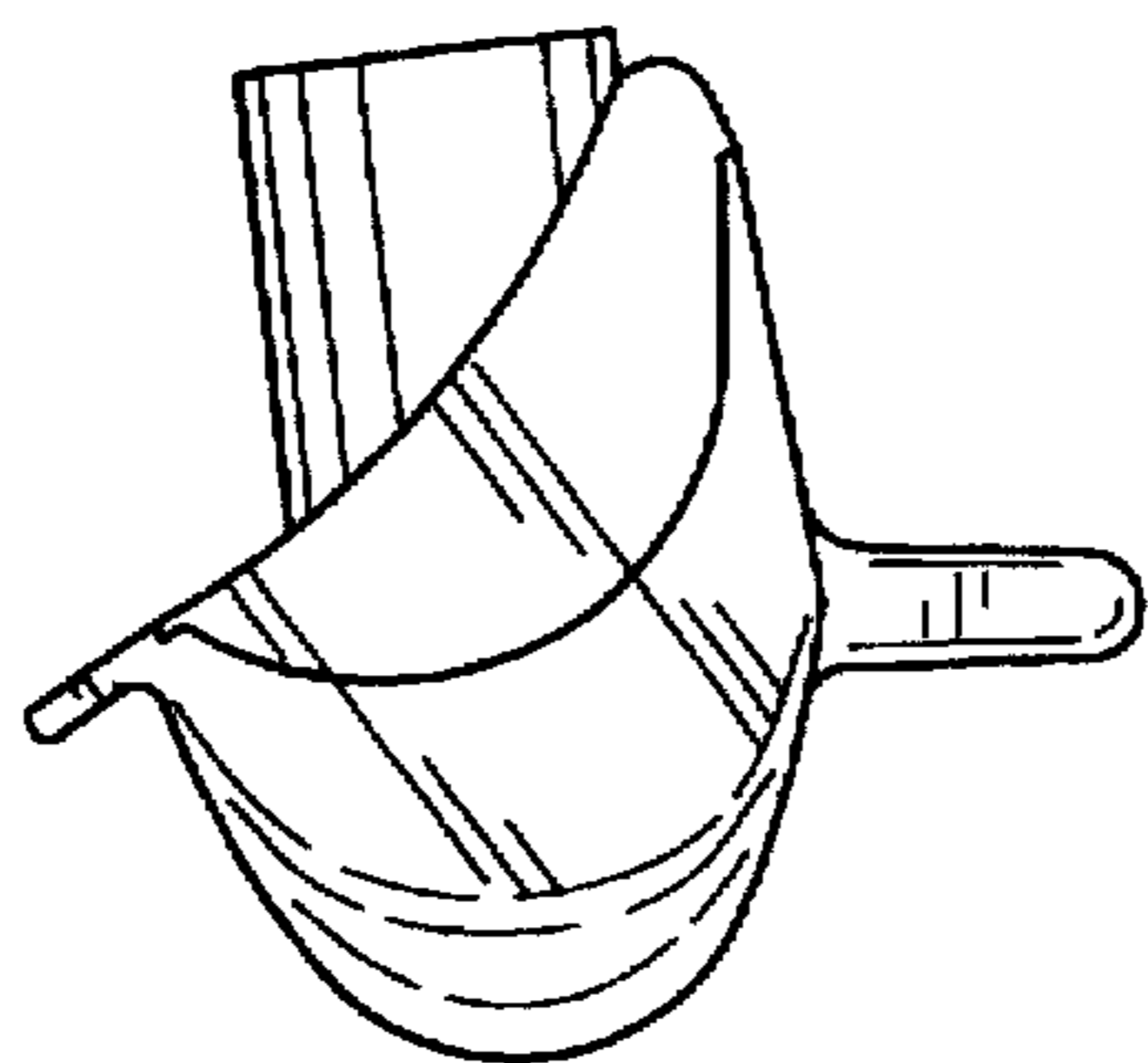


FIG. 4

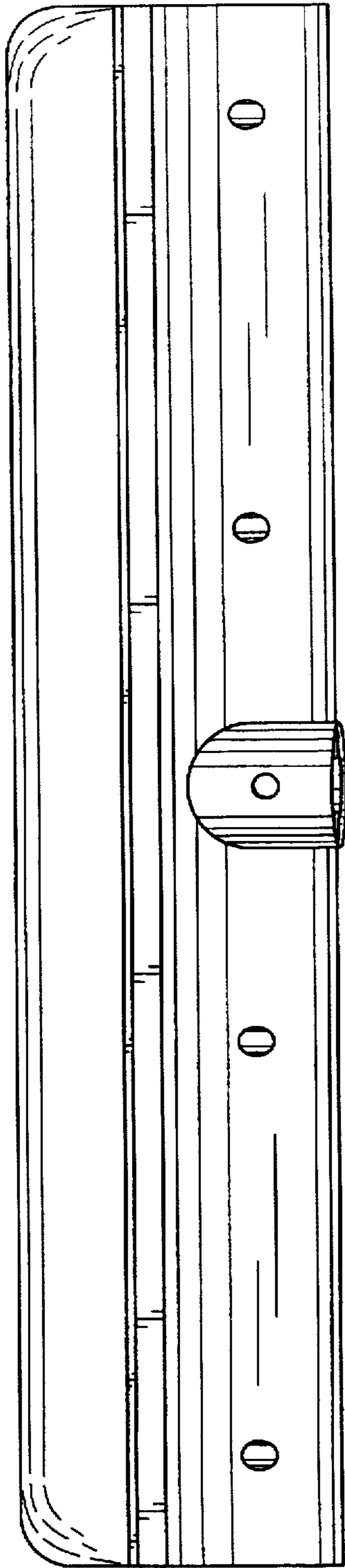


FIG. 6

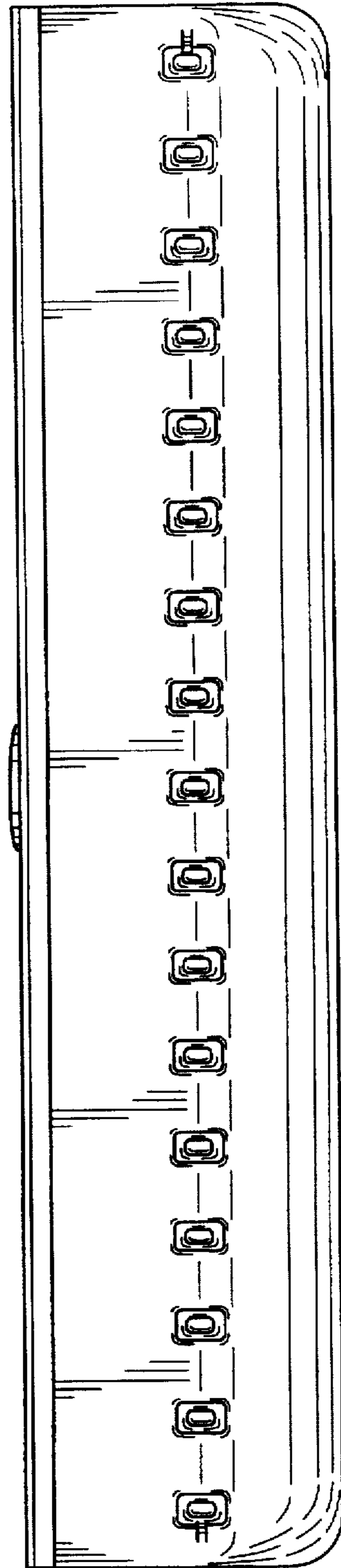


FIG. 7