



US00D397591S

United States Patent [19]
Susini, III

[11] **Patent Number: Des. 397,591**
[45] **Date of Patent: **Sep. 1, 1998**

[54] **SNOW PUSHER**

[76] **Inventor: Domenico Susini, III, 89 Summit Dr.,
Denville, N.J. 07834**

[**] **Term: 14 Years**

[21] **Appl. No.: 70,670**

[22] **Filed: May 13, 1997**

[51] **LOC (6) Cl. 08-01**

[52] **U.S. Cl. D8/10; D32/41; D32/49**

[58] **Field of Search D8/7, 10, 11, 45;
D32/40, 41, 46, 49; 15/236.01, 236.02,
236.05, 245, 245.1; 30/169, 171, 172; 172/371**

[56] **References Cited**

U.S. PATENT DOCUMENTS

D. 355,286 2/1995 Wallace et al. D32/49

948,630 2/1910 Lane 15/245
1,034,834 8/1912 Redding 172/371
4,317,250 3/1982 Shutts 15/245 X

Primary Examiner—Alan P. Douglas
Assistant Examiner—Lavone D. Tabor

[57] **CLAIM**

The ornamental design for a snow pusher, as shown.

DESCRIPTION

FIG. 1 is a front view of the snow pusher of the present invention;

FIG. 2 is a back view of the snow pusher of FIG. 1;

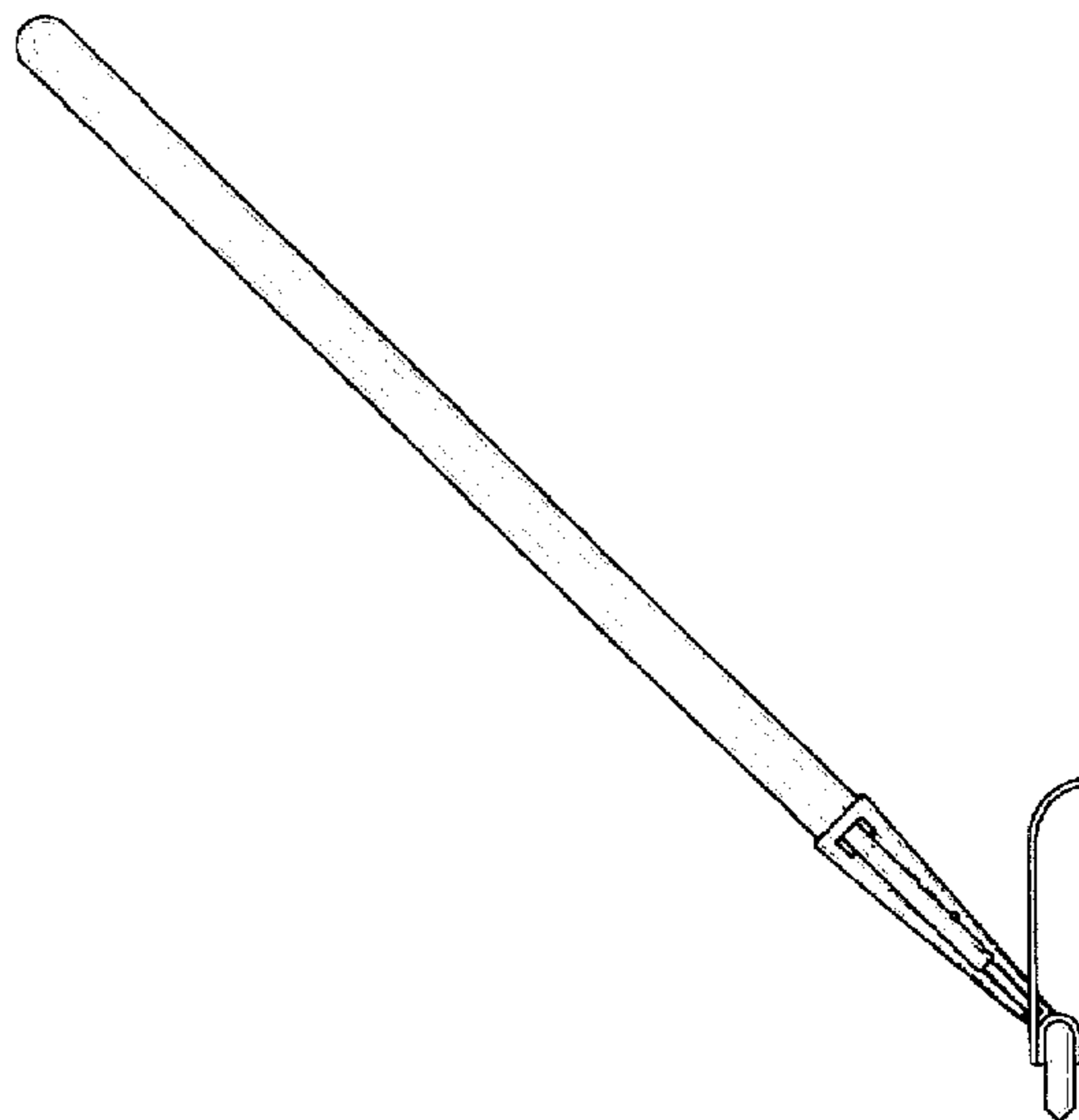
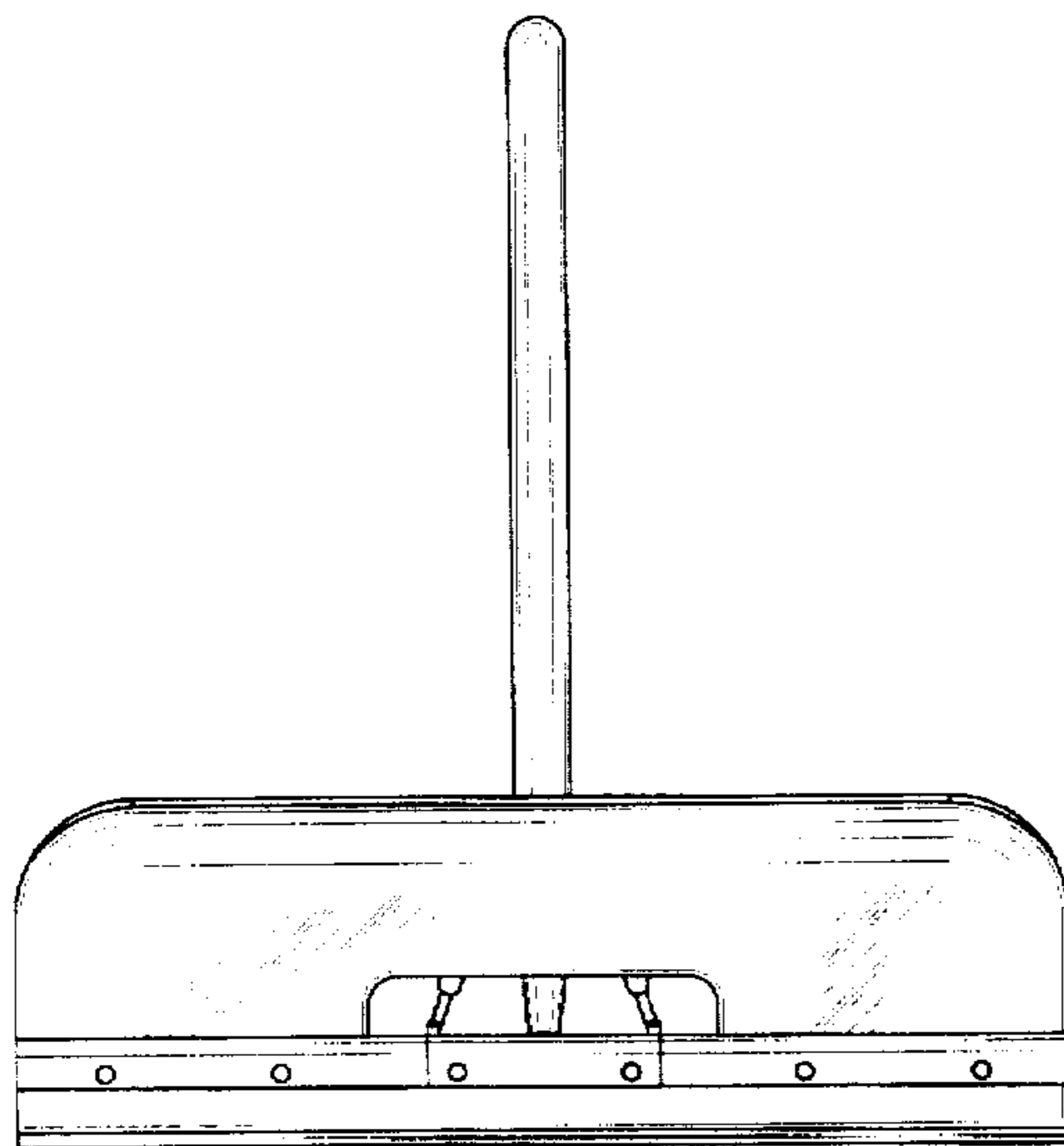
FIG. 3 is a left side view of the snow pusher of FIG. 1;

FIG. 4 is a right side view of the snow pusher of FIG. 1;

FIG. 5 is a top plan view of the snow pusher of FIG. 1; and

FIG. 6 is a bottom plan view of the snow pusher of FIG. 1.

1 Claim, 3 Drawing Sheets



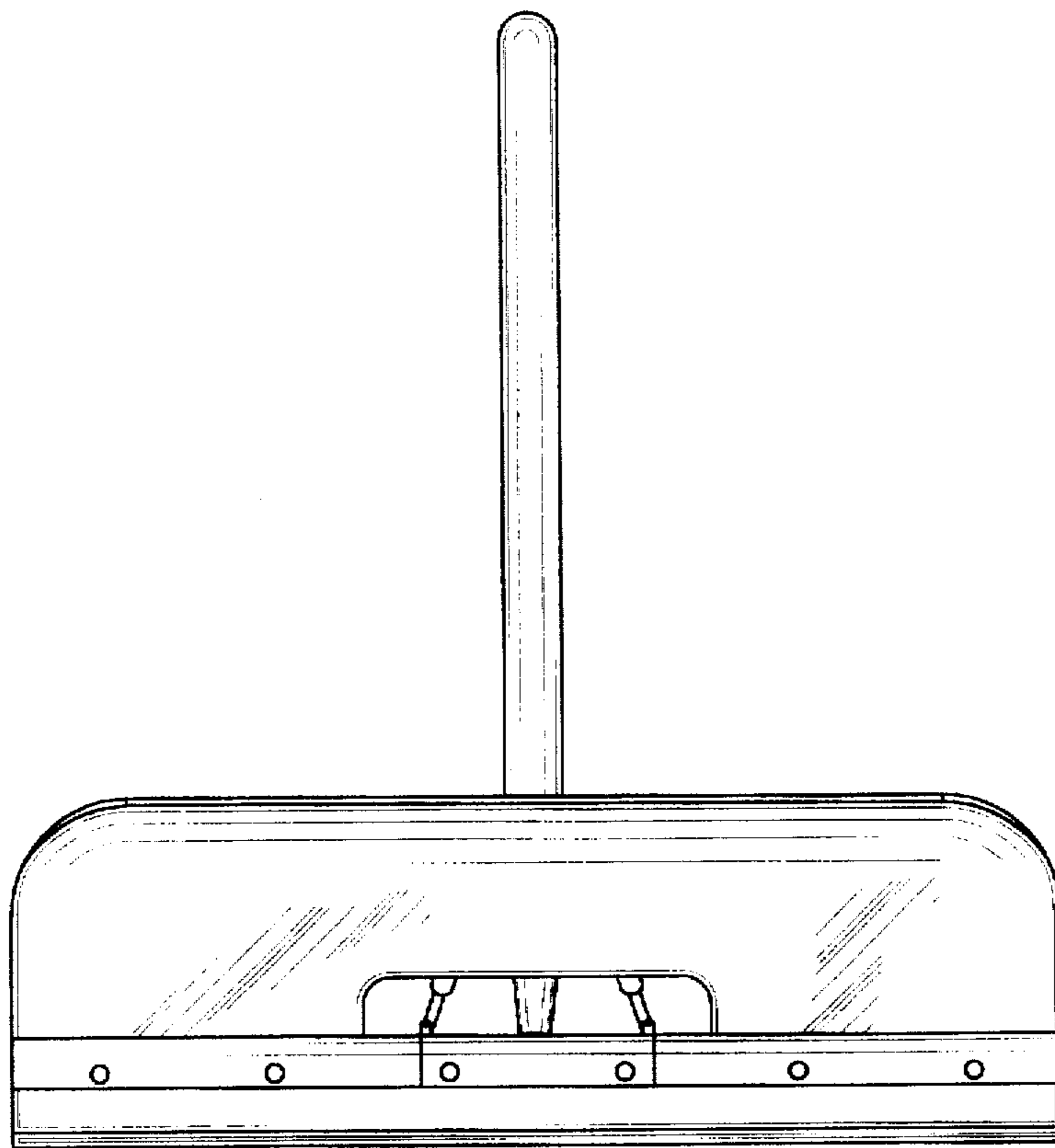


Fig. 1

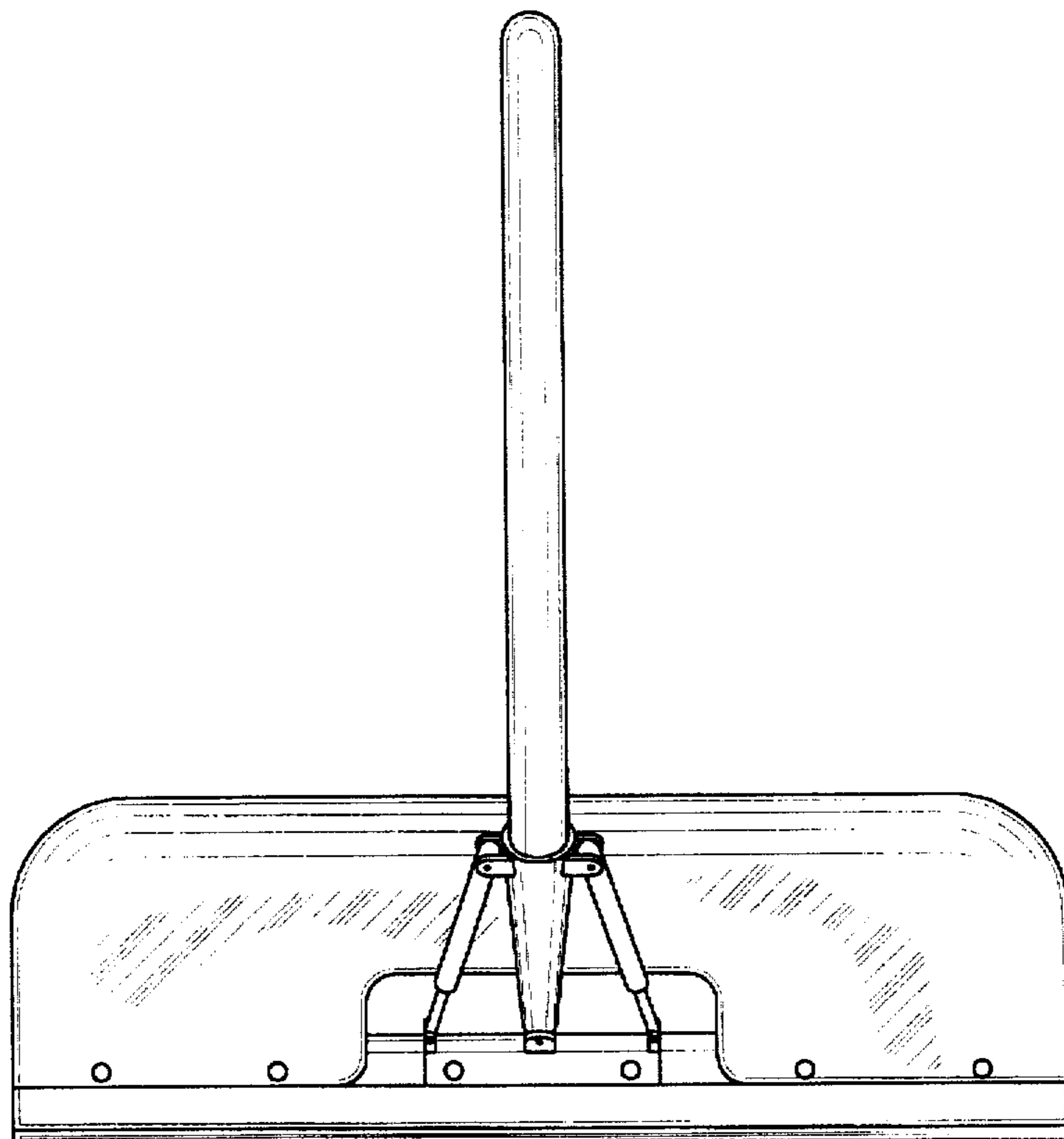


Fig. 2

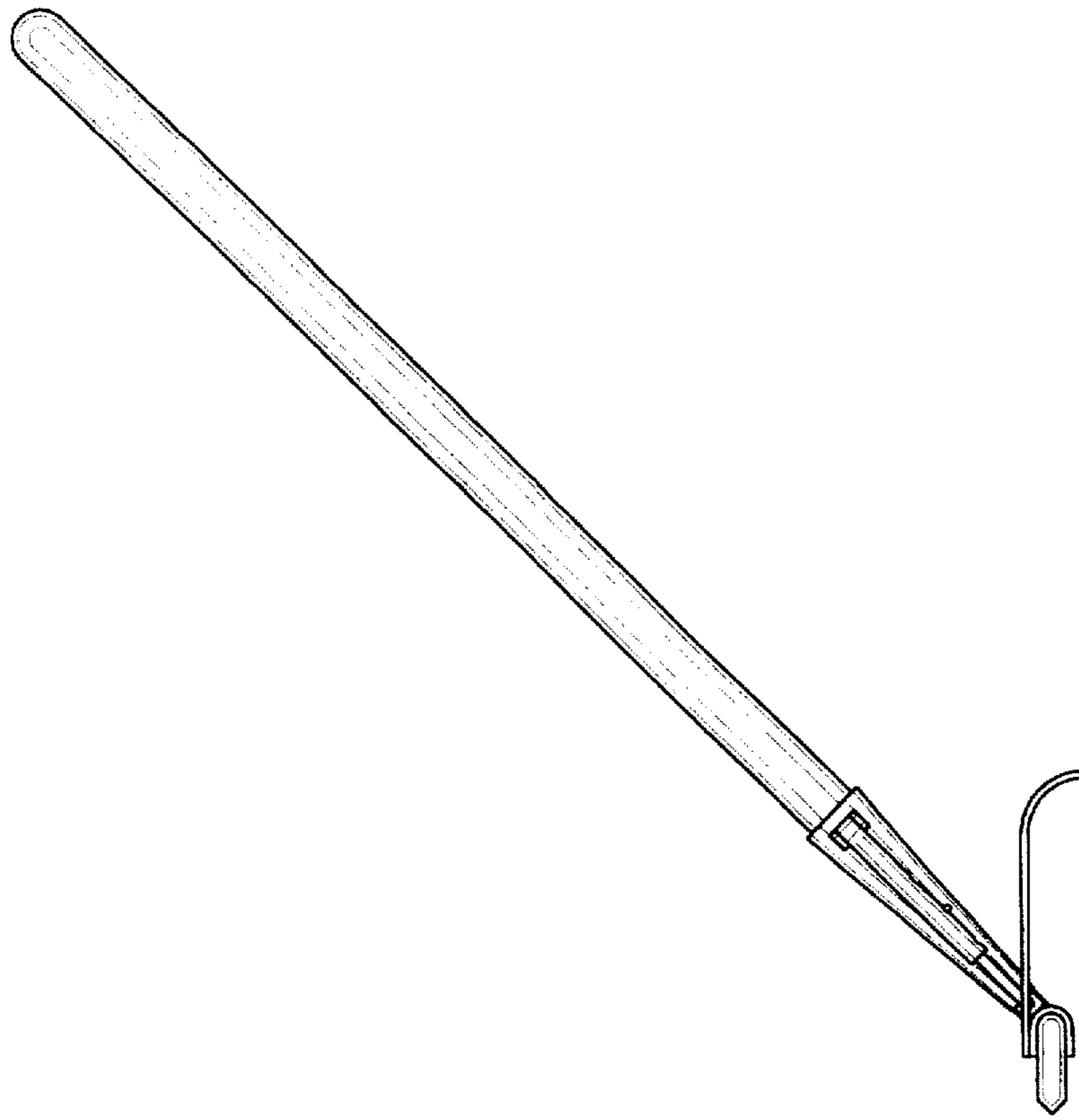


Fig. 3

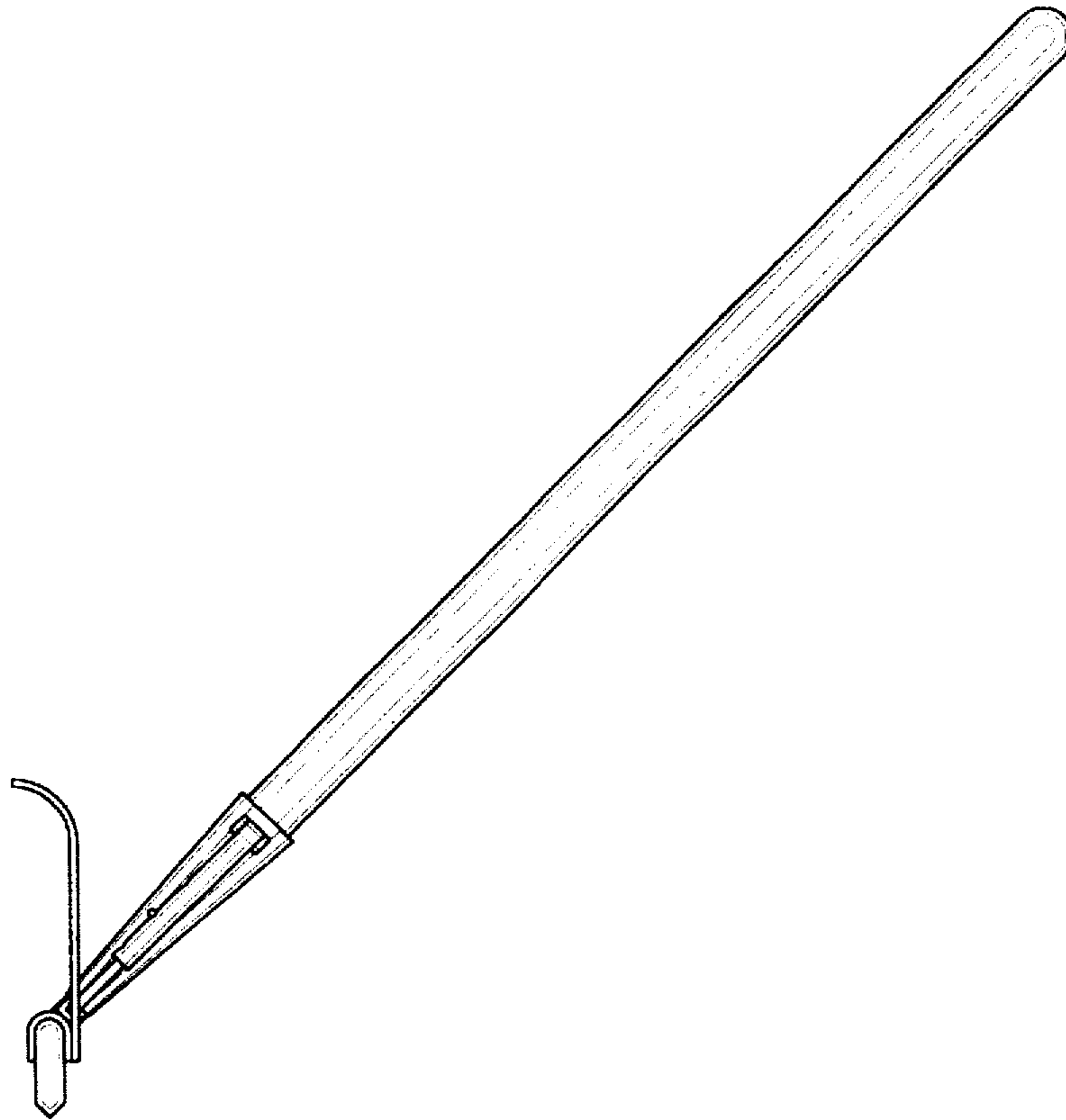


Fig. 4

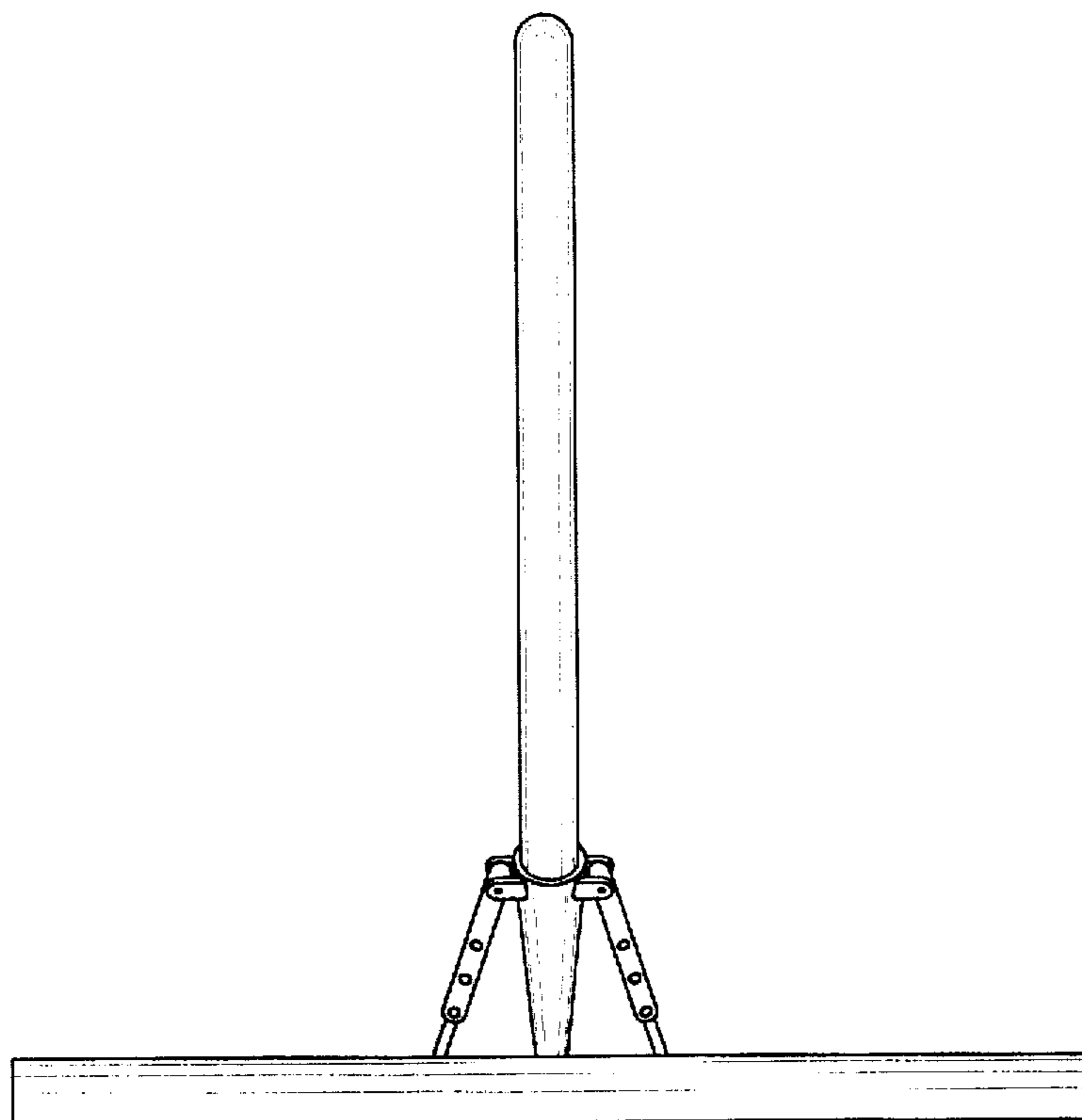


Fig. 5

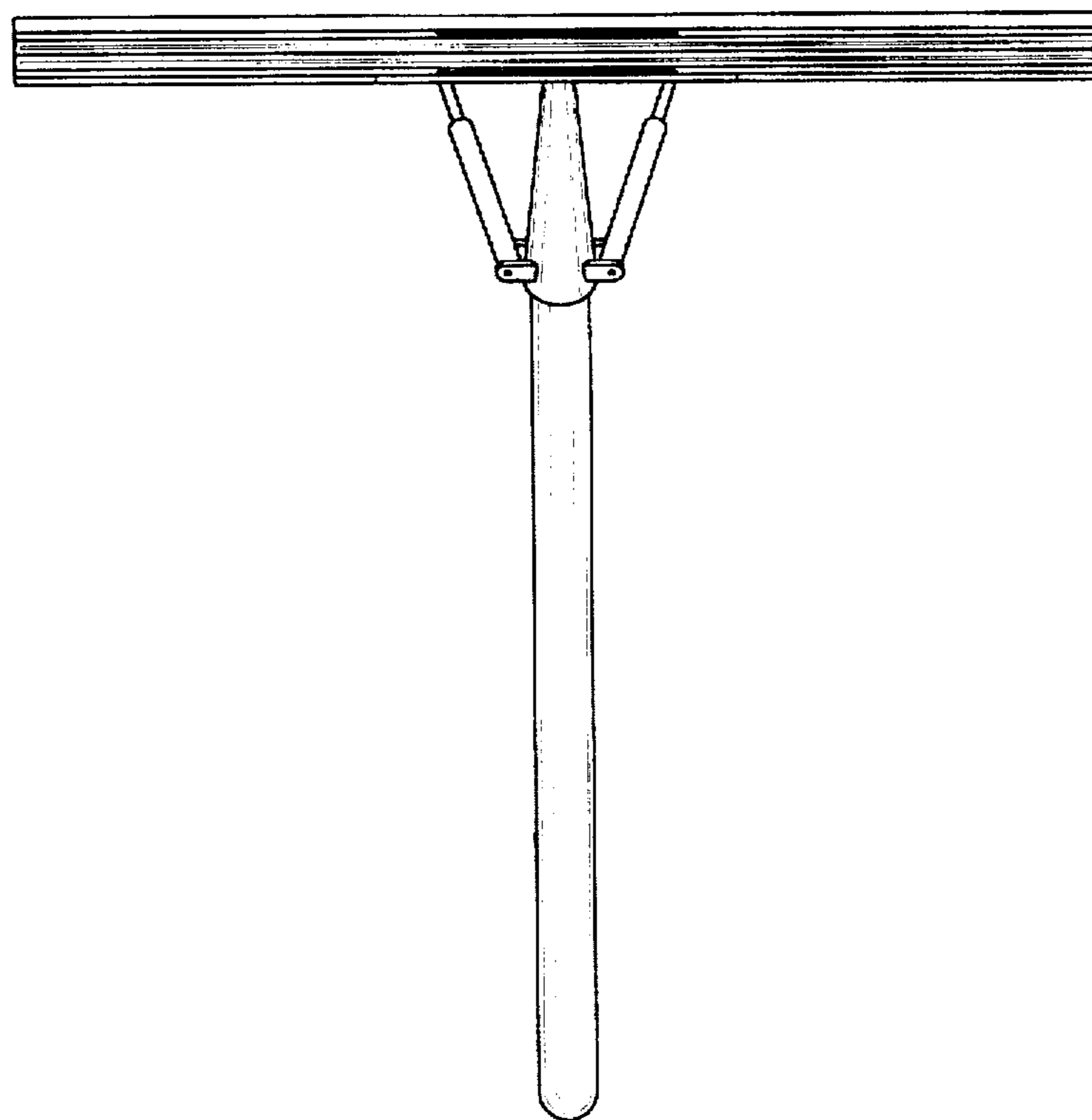


Fig. 6