



US00D397590S

United States Patent [19]

Meloni et al.

[11] Patent Number: **Des. 397,590**

[45] Date of Patent: ****Sep. 1, 1998**

[54] **HEDGE TRIMMER BLADE**

[75] Inventors: **Robert Meloni**, Baltimore; **Deborah Messmer**, Stevensville; **Angela Hillstrom**; **Robert Wagster**, both of Baltimore, all of Md.

[73] Assignee: **Black & Decker Inc.**, Newark, Del.

[**] Term: **14 Years**

[21] Appl. No.: **74,032**

[22] Filed: **Jul. 23, 1997**

[51] LOC (6) Cl. **08-01**

[52] U.S. Cl. **D8/8**

[58] Field of Search **D8/8; 30/383, 30/382, 276; 56/12.7**

[56] **References Cited**

U.S. PATENT DOCUMENTS

- D. 311,121 10/1990 Pilatowicz D8/8
- D. 325,856 5/1992 Gierke D8/8
- D. 354,891 1/1995 McJunkin et al. D8/8

D. 364,541 11/1995 McJunkin et al. D8/8

Primary Examiner—Holly Baynham
Attorney, Agent, or Firm—Kerry H. Owens

[57] **CLAIM**

The ornamental design for a hedge trimmer blade, as shown and described.

DESCRIPTION

FIG. 1 is a top perspective view of the design; FIG. 2 is a bottom plan view of the design; FIG. 3 is a top plan view of the design; FIG. 4 is a side elevation of the design; FIG. 5 is an opposite side elevation of the design; and, FIG. 6 is a perspective view of a section of the central component of the three component blade system shown in FIGS. 4 and 5.

The broken line showing of a hedge trimmer housing is for illustrative purposes only and forms no part of the claimed design.

The view of FIG. 6 has been shown detached for clarity of illustration.

1 Claim, 4 Drawing Sheets

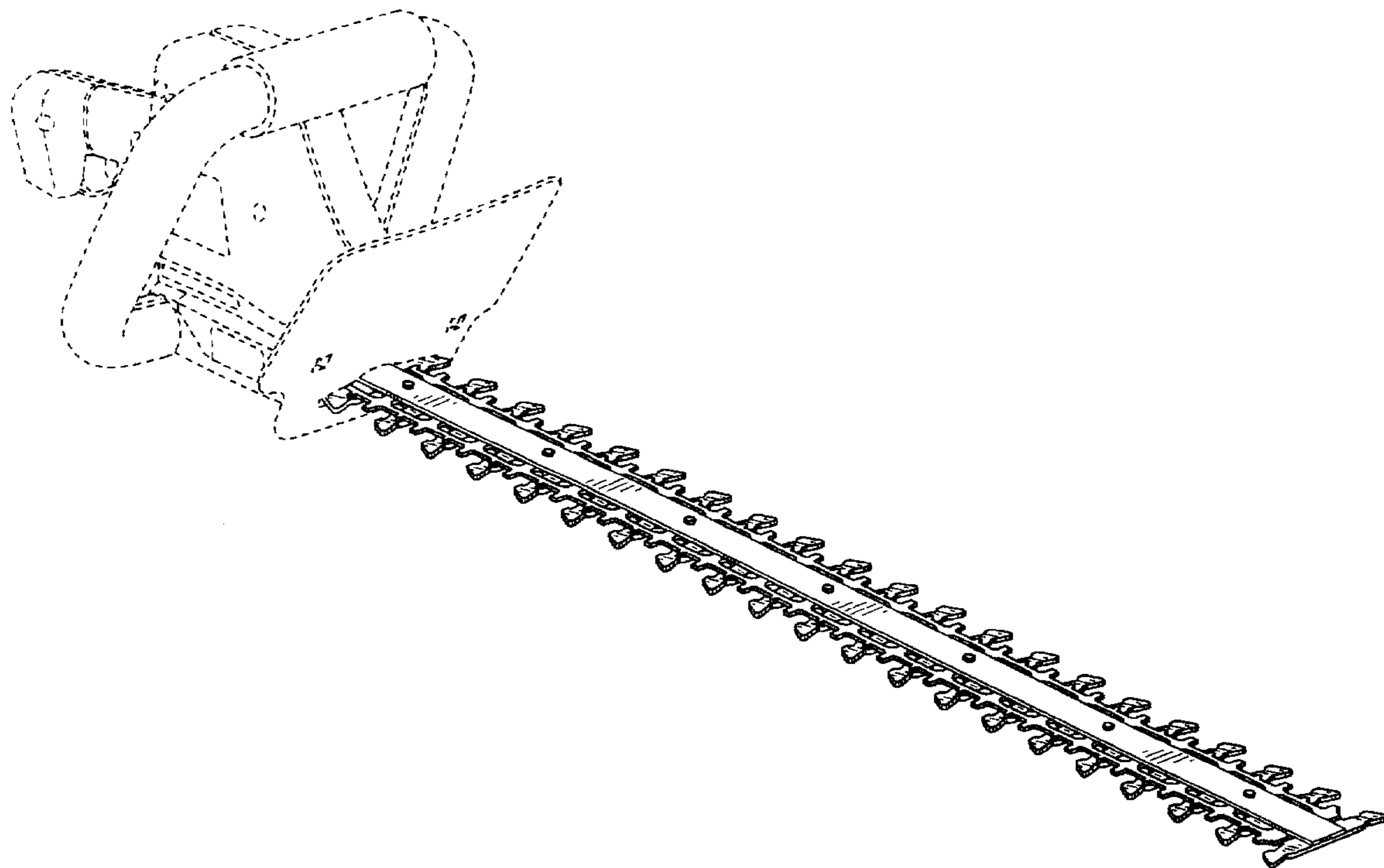
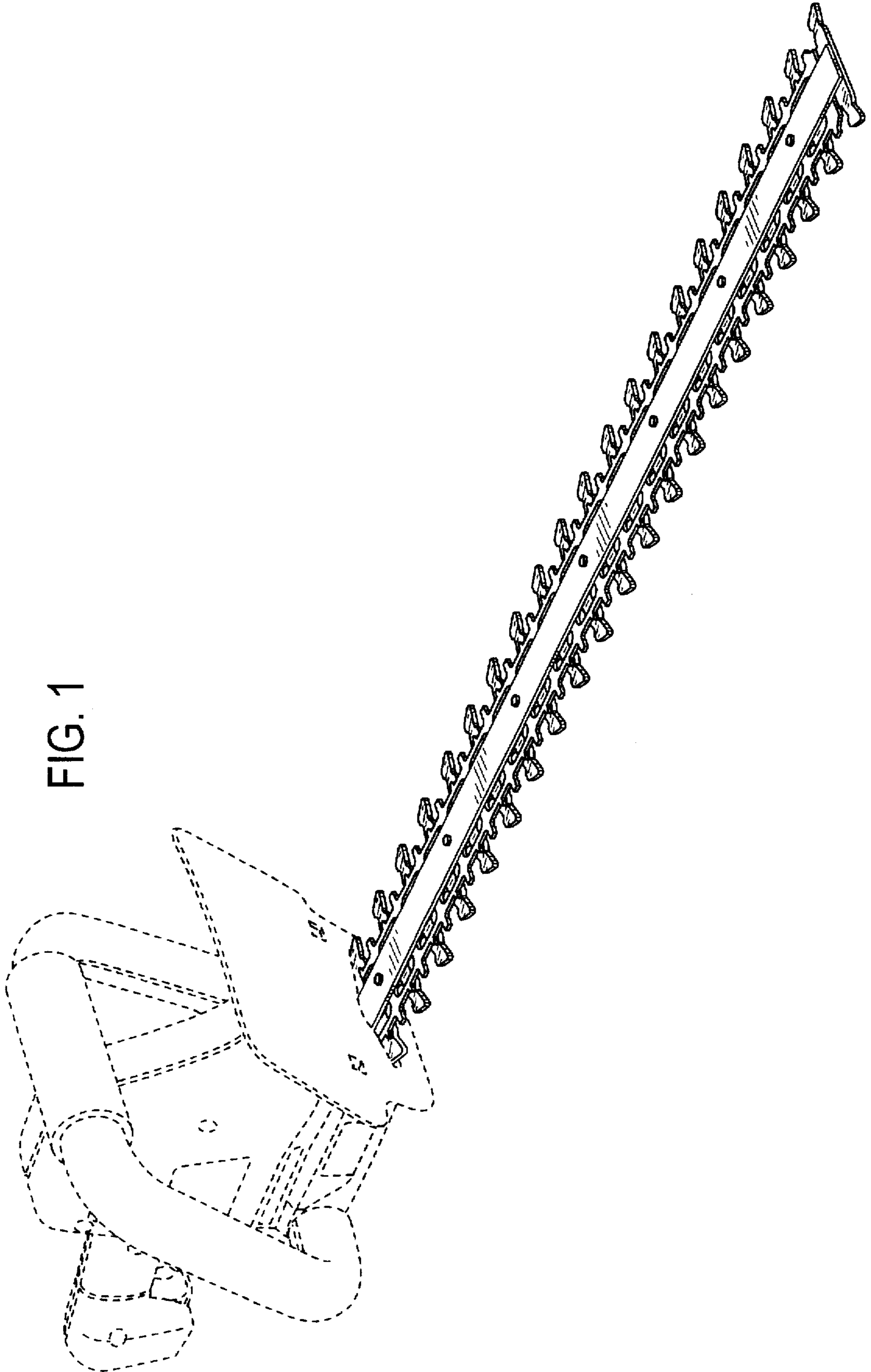
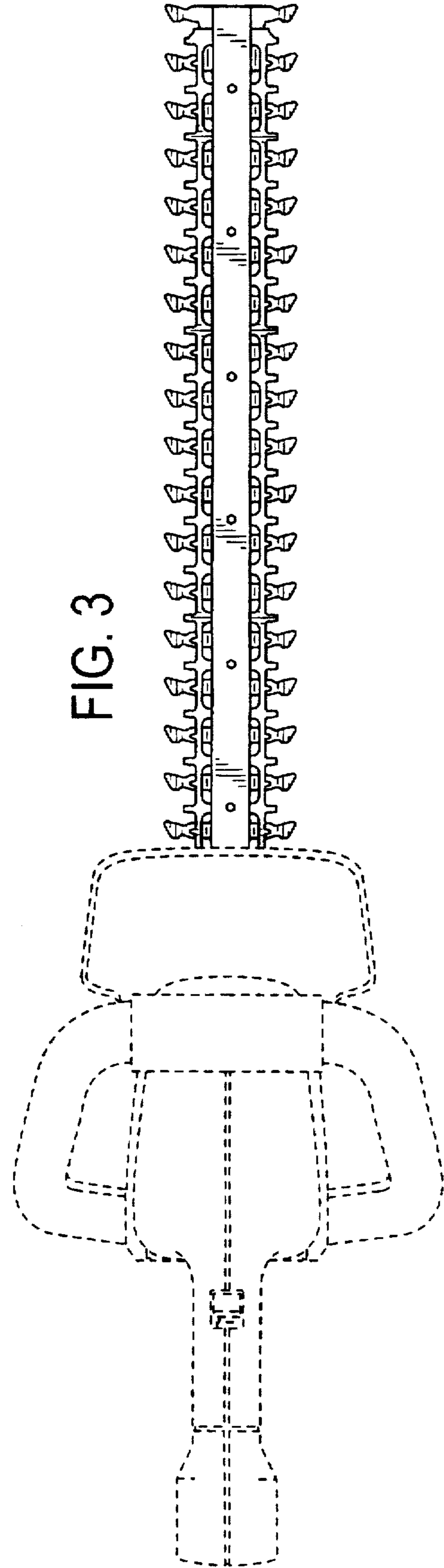
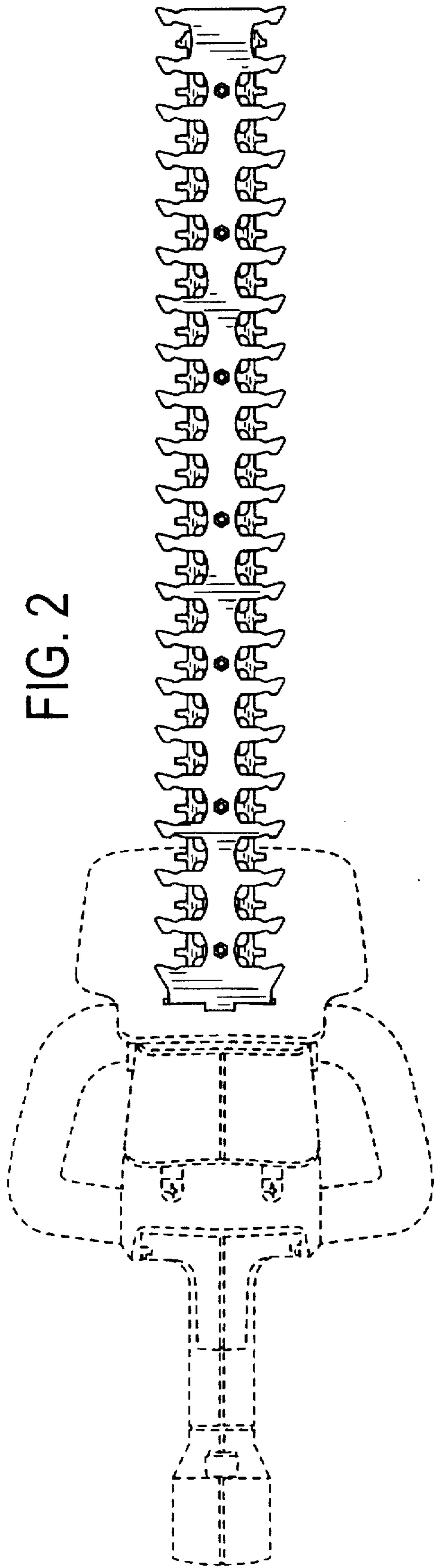
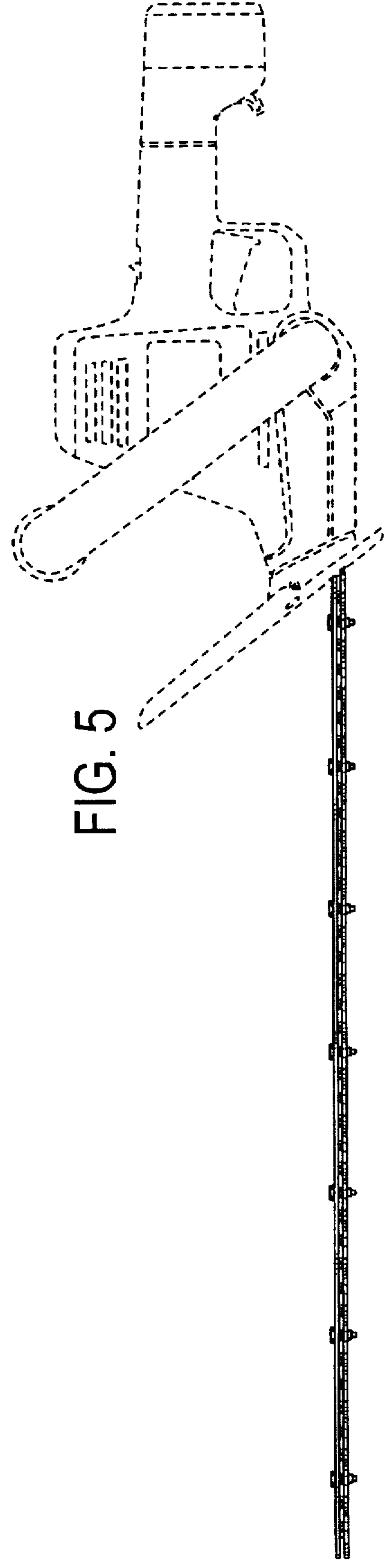
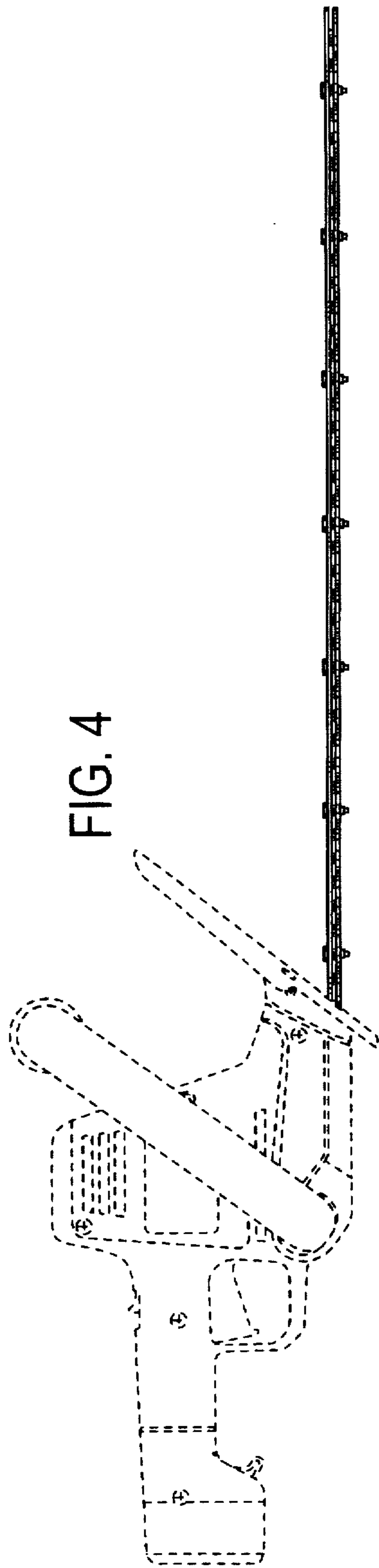


FIG. 1







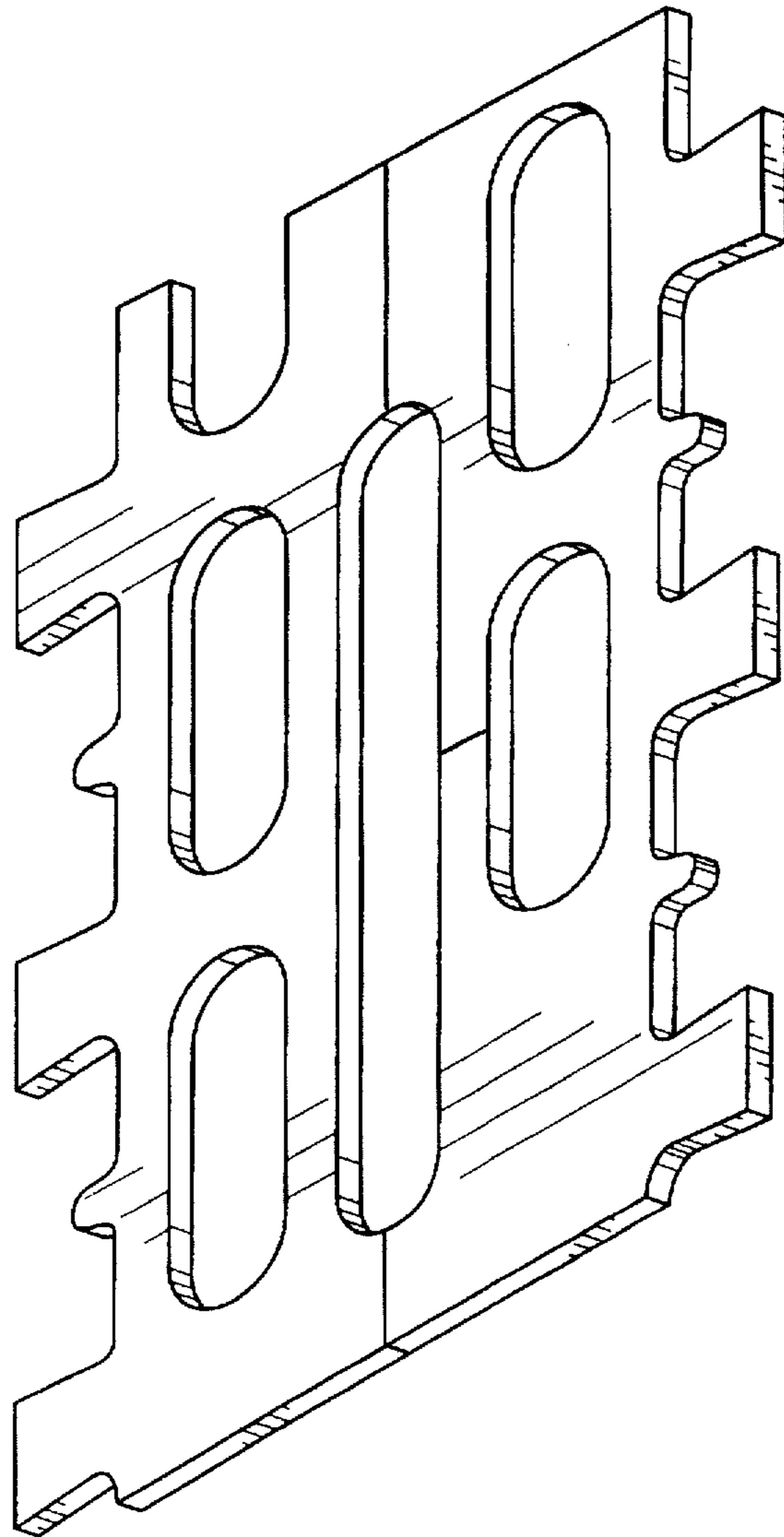


FIG. 6