



US00D397587S

United States Patent [19]
Hollinger

[11] **Patent Number:** **Des. 397,587**
[45] **Date of Patent:** ****Sep. 1, 1998**

[54] **NAPKIN HOLDER**

[76] **Inventor:** **Fred Hollinger**, 59 Boxwood Dr.,
Kings Park, N.Y. 11754

[**] **Term:** **14 Years**

[21] **Appl. No.:** **42,082**

[22] **Filed:** **Jul. 31, 1995**

[51] **LOC (6) Cl.** **07-06**

[52] **U.S. Cl.** **D7/631**

[58] **Field of Search** D7/631-634; D6/315,
D6/327, 462; 211/13, 40, 41, 42, 45, 49.1,
50, 181

[56] **References Cited**

U.S. PATENT DOCUMENTS

D. 162,226 2/1951 Rippe D6/462

D. 236,412 8/1975 Koretz D7/631 X
2,901,119 8/1959 Almer 211/50
3,063,567 11/1962 Campbell D7/631 X

Primary Examiner—Terry A. Wallace
Attorney, Agent, or Firm—Gerard F. Dunne

[57] **CLAIM**

The ornamental design for a napkin holder, as shown and described.

DESCRIPTION

FIG. 1 is a perspective view of a napkin holder showing my new design;
FIG. 2 is a front elevational view thereof;
FIG. 3 is a top plan view thereof;
FIG. 4 is a bottom plan view thereof; and,
FIG. 5 is a right side elevational view thereof.

1 Claim, 3 Drawing Sheets

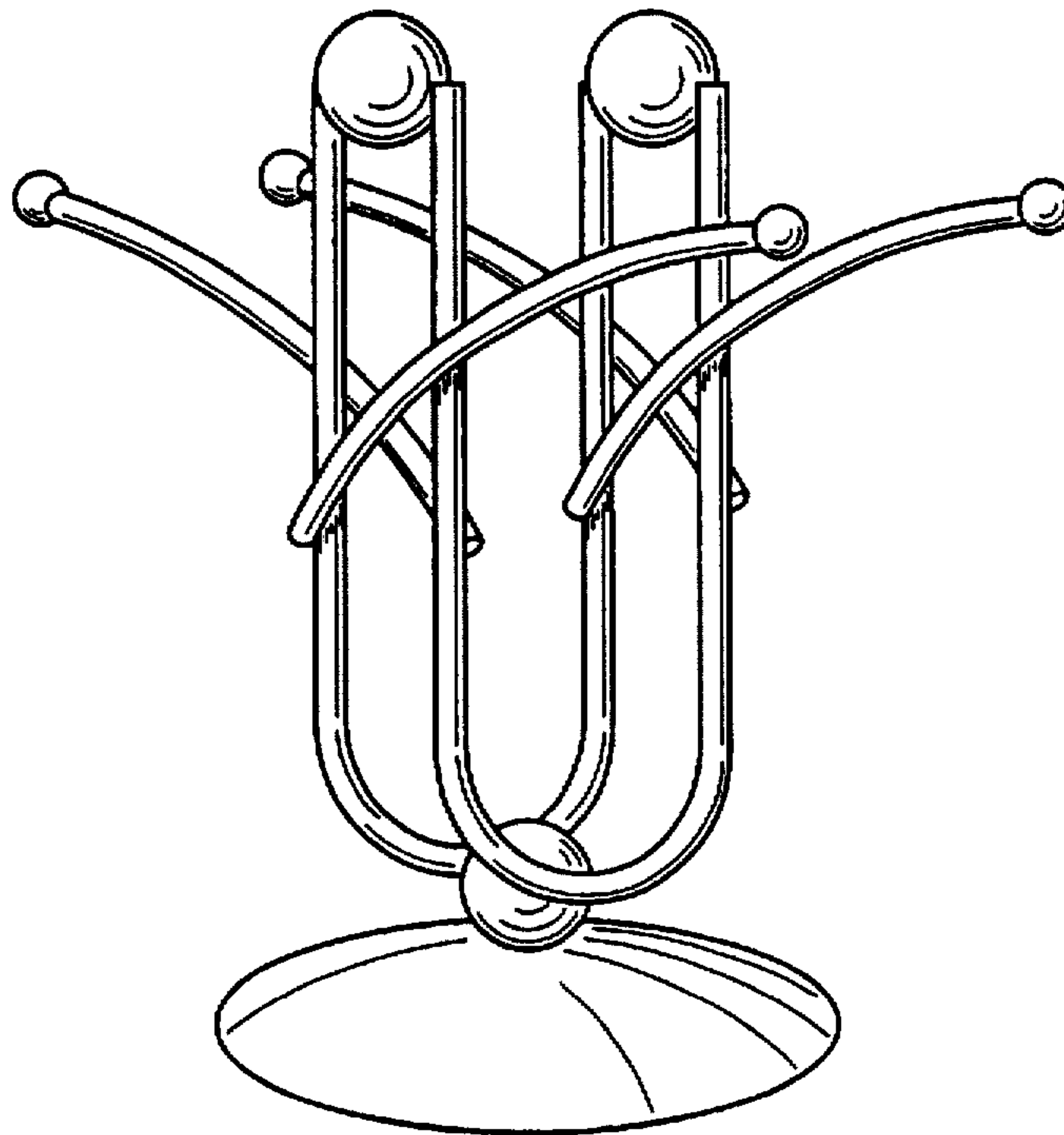


FIG. 1

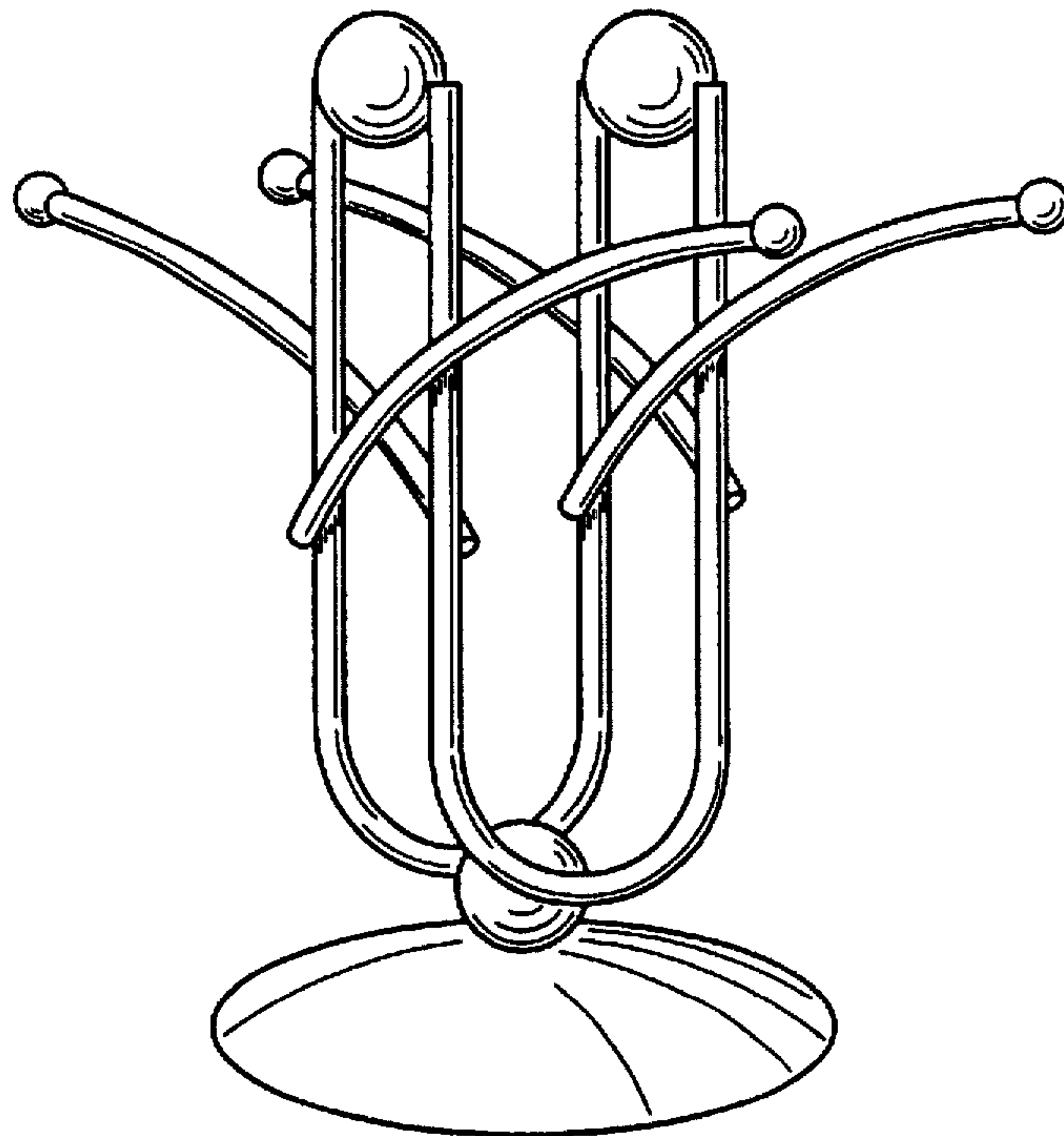


FIG. 2

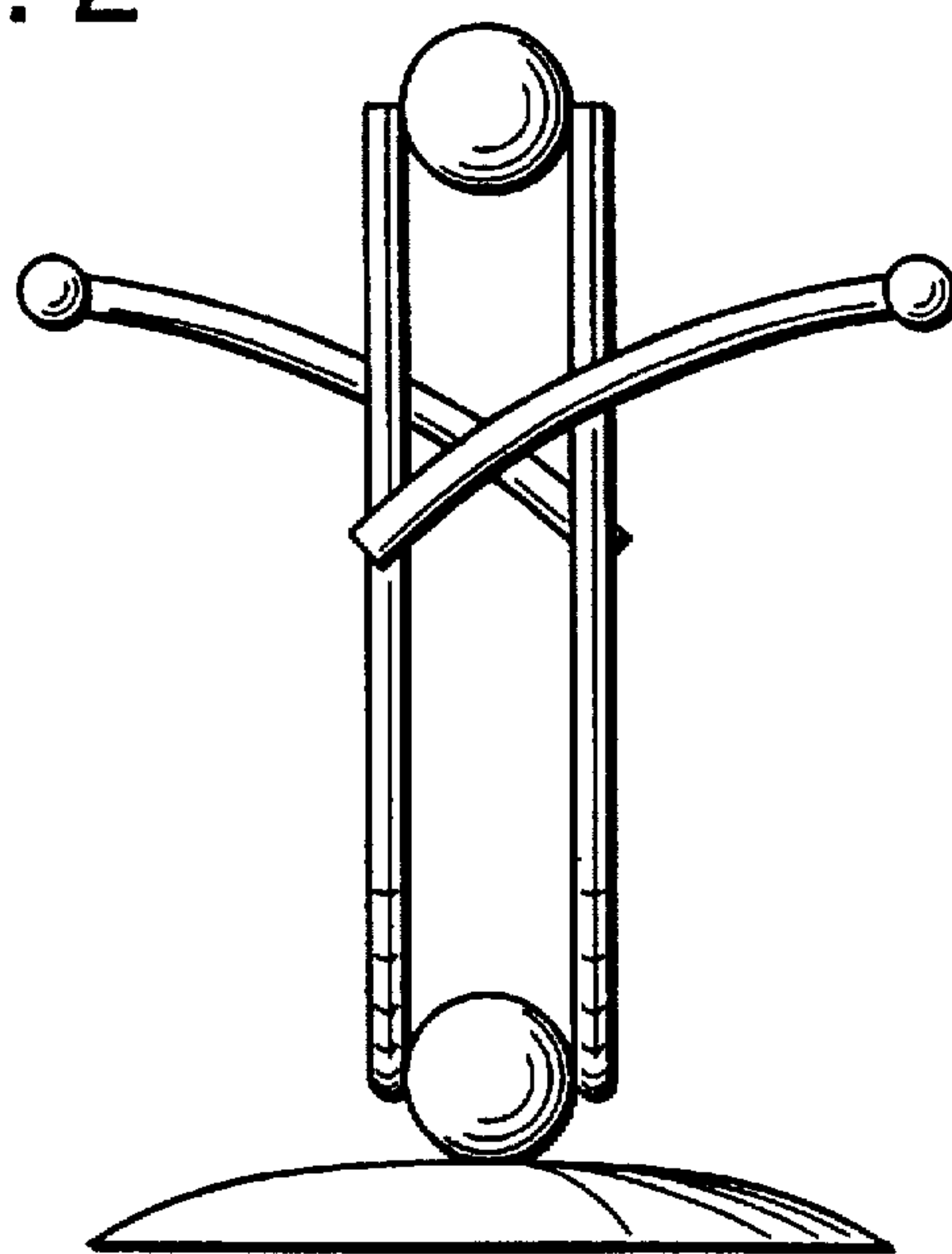


FIG. 3

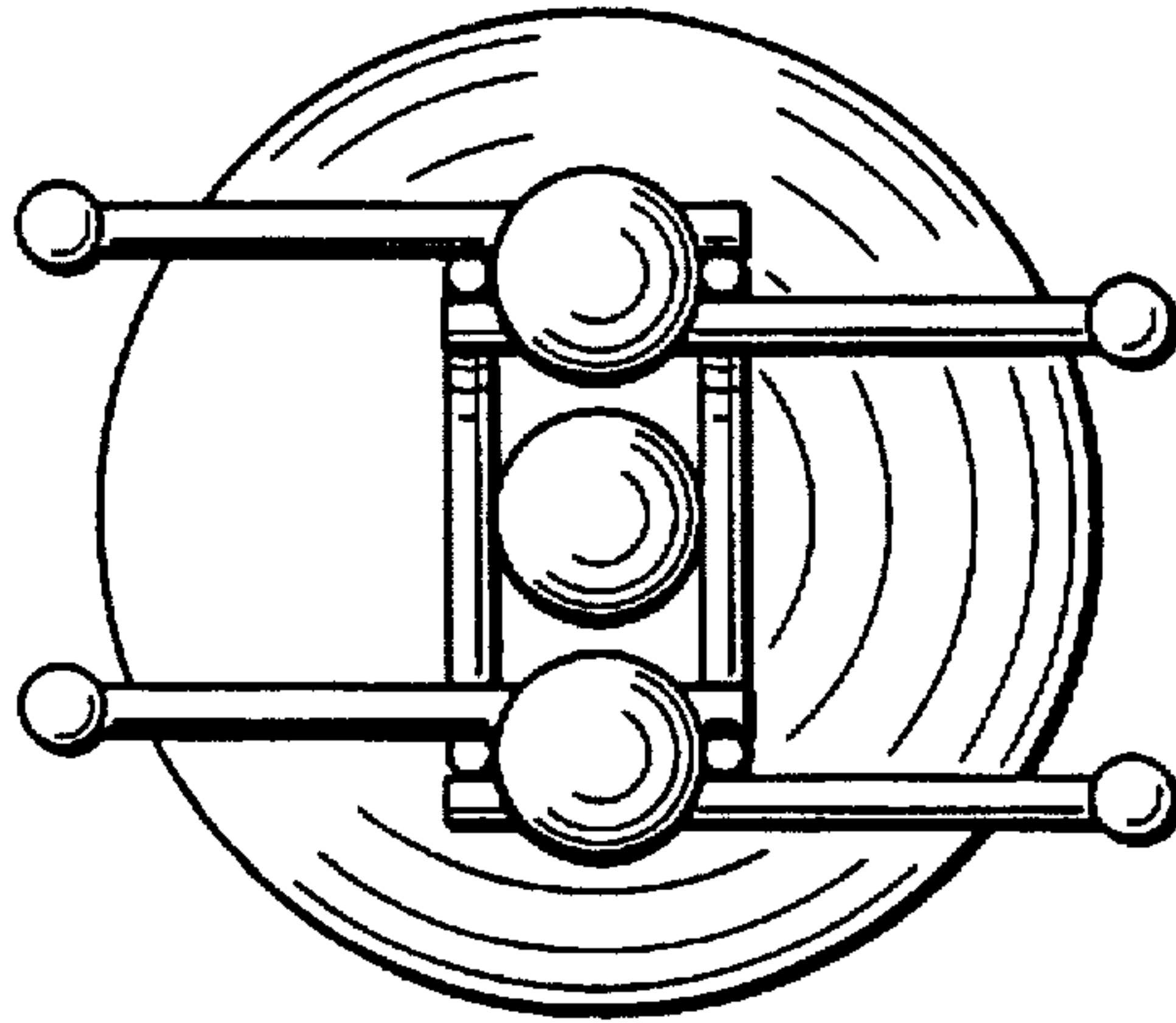


FIG. 4

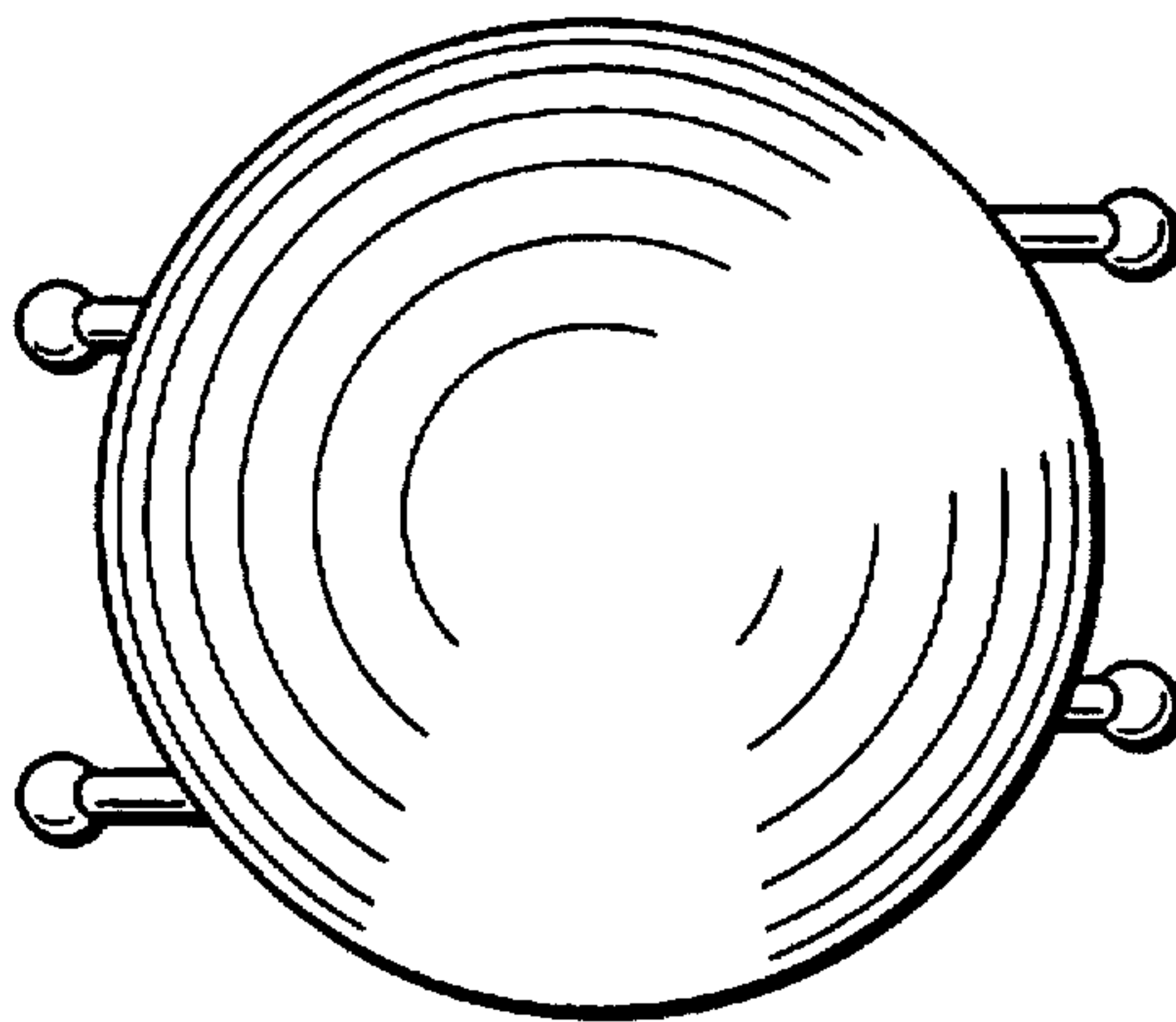


FIG. 5

