



US00D397584S

United States Patent [19]

Vannello

[11] Patent Number: **Des. 397,584**

[45] Date of Patent: ****Sep. 1, 1998**

[54] **BOWL SUPPORT**

[76] Inventor: **Anthony Vannello**, 1227 Jackson St., Philadelphia, Pa. 19148

[**] Term: **14 Years**

[21] Appl. No.: **68,295**

[22] Filed: **Mar. 27, 1997**

[51] LOC (6) Cl. **07-02**

[52] U.S. Cl. **D7/602; D7/704; D7/388**

[58] Field of Search **D7/388, 387, 396.6, D7/403, 409, 601, 602, 558, 704; 220/484, 23.4**

[56] **References Cited**

U.S. PATENT DOCUMENTS

- D. 174,926 6/1955 Semler D7/388
- D. 176,100 11/1955 Bonistall D7/396.6
- D. 192,227 2/1962 Theisen D7/388
- D. 227,291 6/1973 Kant D7/388

- D. 258,631 3/1981 Lax D7/388 X
- D. 265,790 8/1982 Taylor D7/388
- D. 274,880 7/1984 Bentson D7/409
- D. 339,266 9/1993 Lockett D7/388 X
- 3,347,404 10/1967 McIntyre D7/704 X

Primary Examiner—M. N. Pandozzi
Attorney, Agent, or Firm—Duane, Morris & Heckscher LLP

[57] **CLAIM**

The ornamental design for a bowl support, as shown and described.

DESCRIPTION

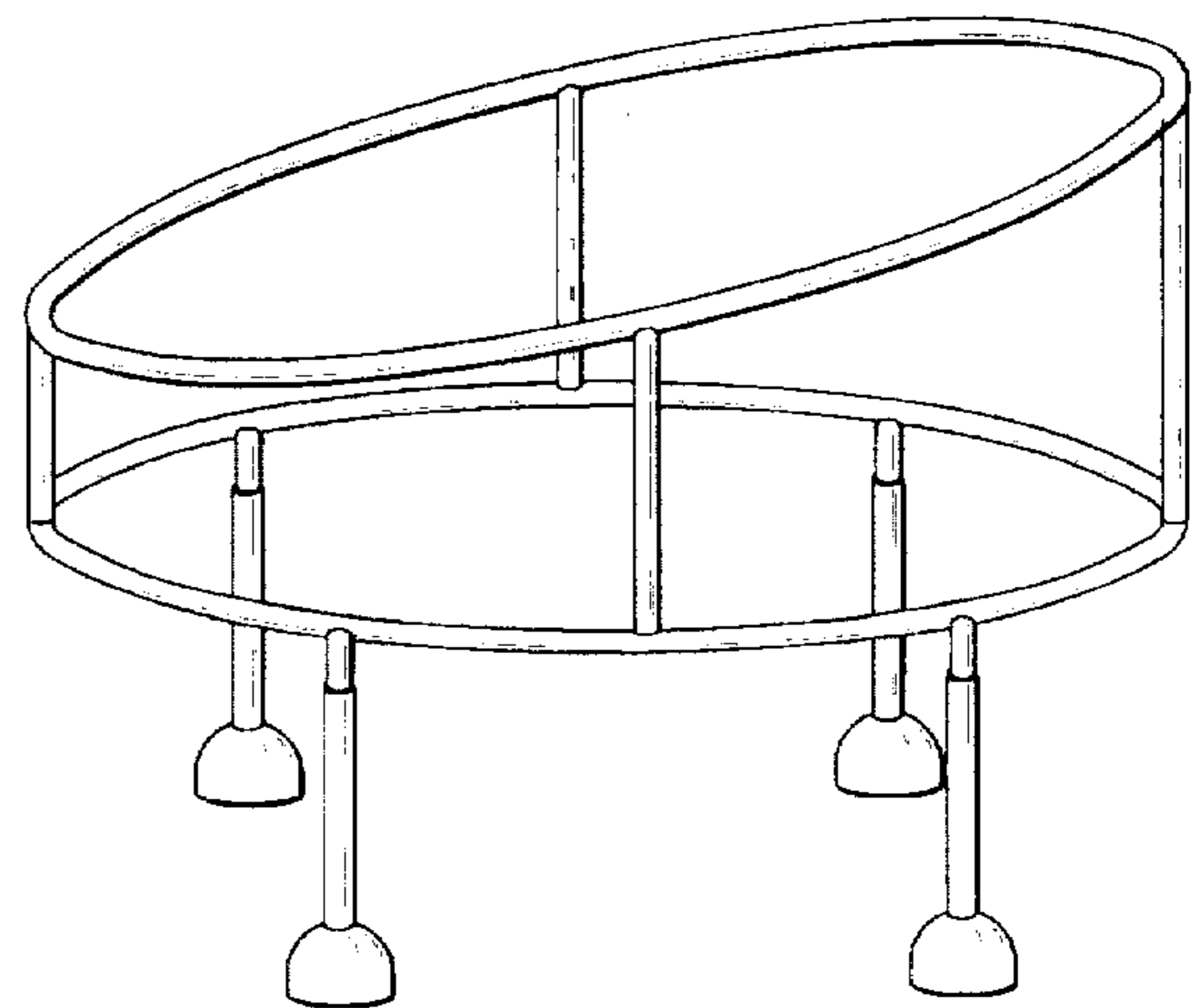
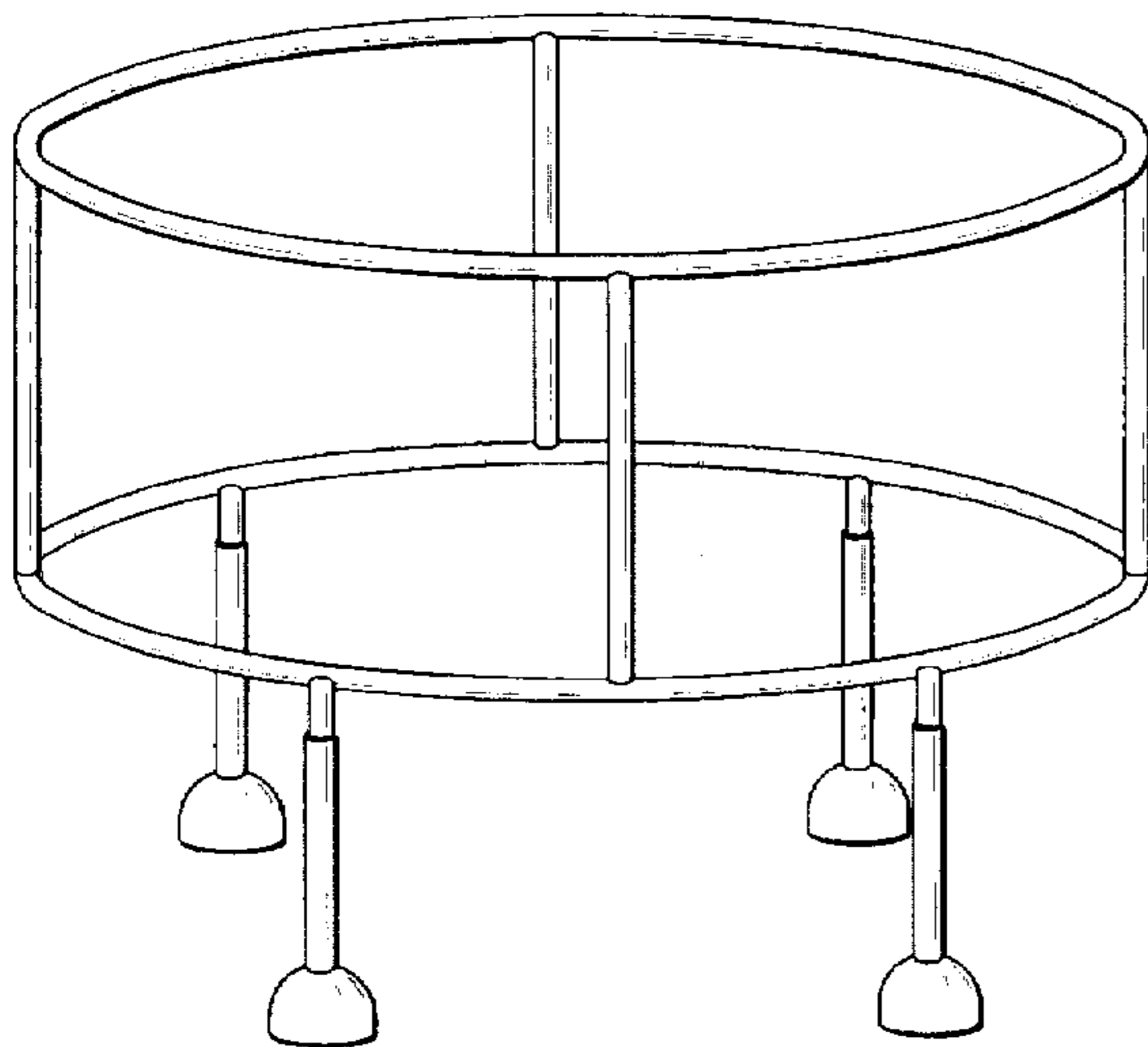
FIG. 1 is a front perspective view of a bowl support showing my new design;

FIG. 2 is a front perspective view of a bowl support showing a second embodiment of my new design;

FIG. 3 is a top plan view of FIG. 1; and,

FIG. 4 is a top plan view of the FIG. 2.

1 Claim, 3 Drawing Sheets



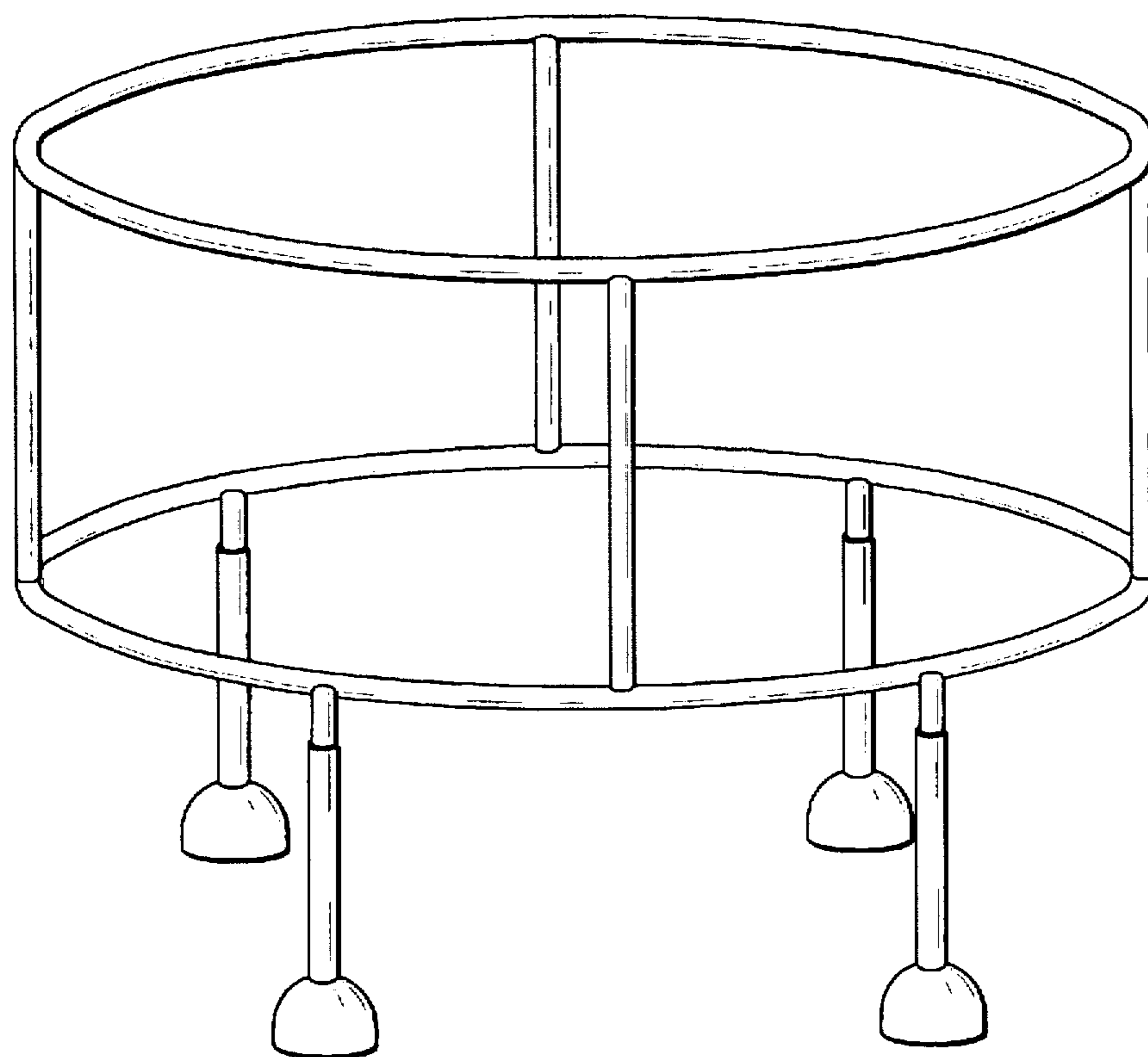


FIG. 1

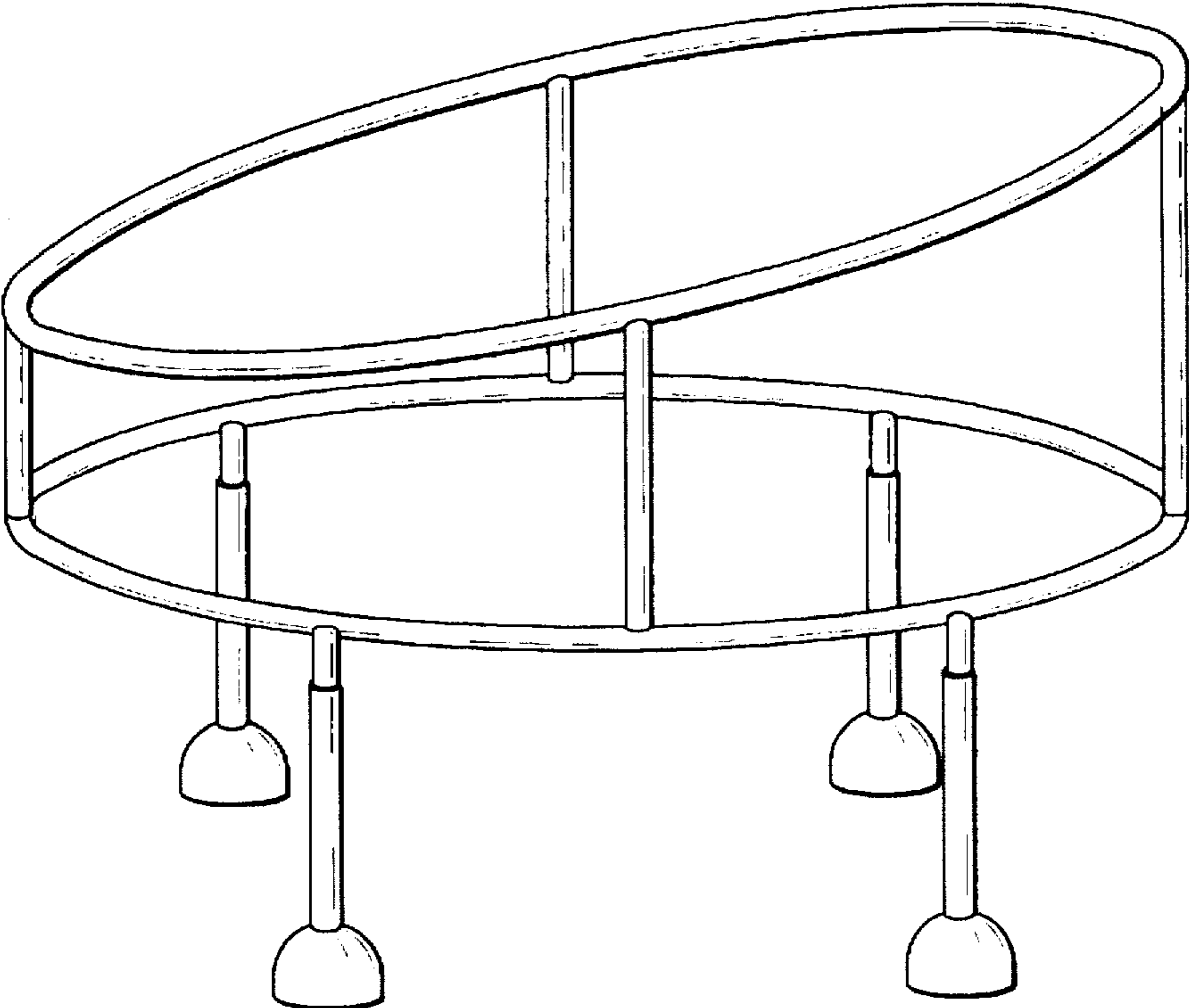


FIG. 2

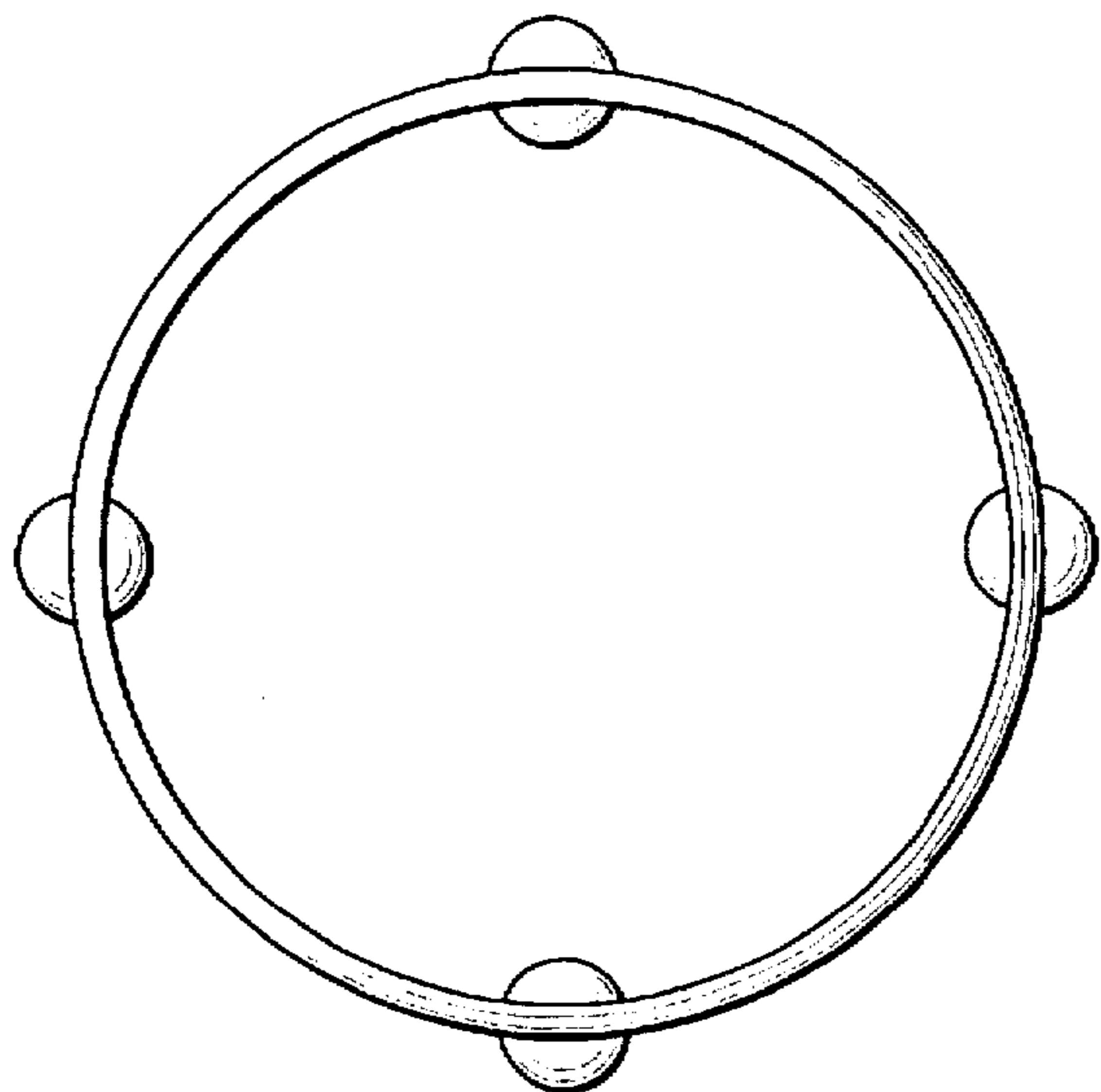


FIG. 3

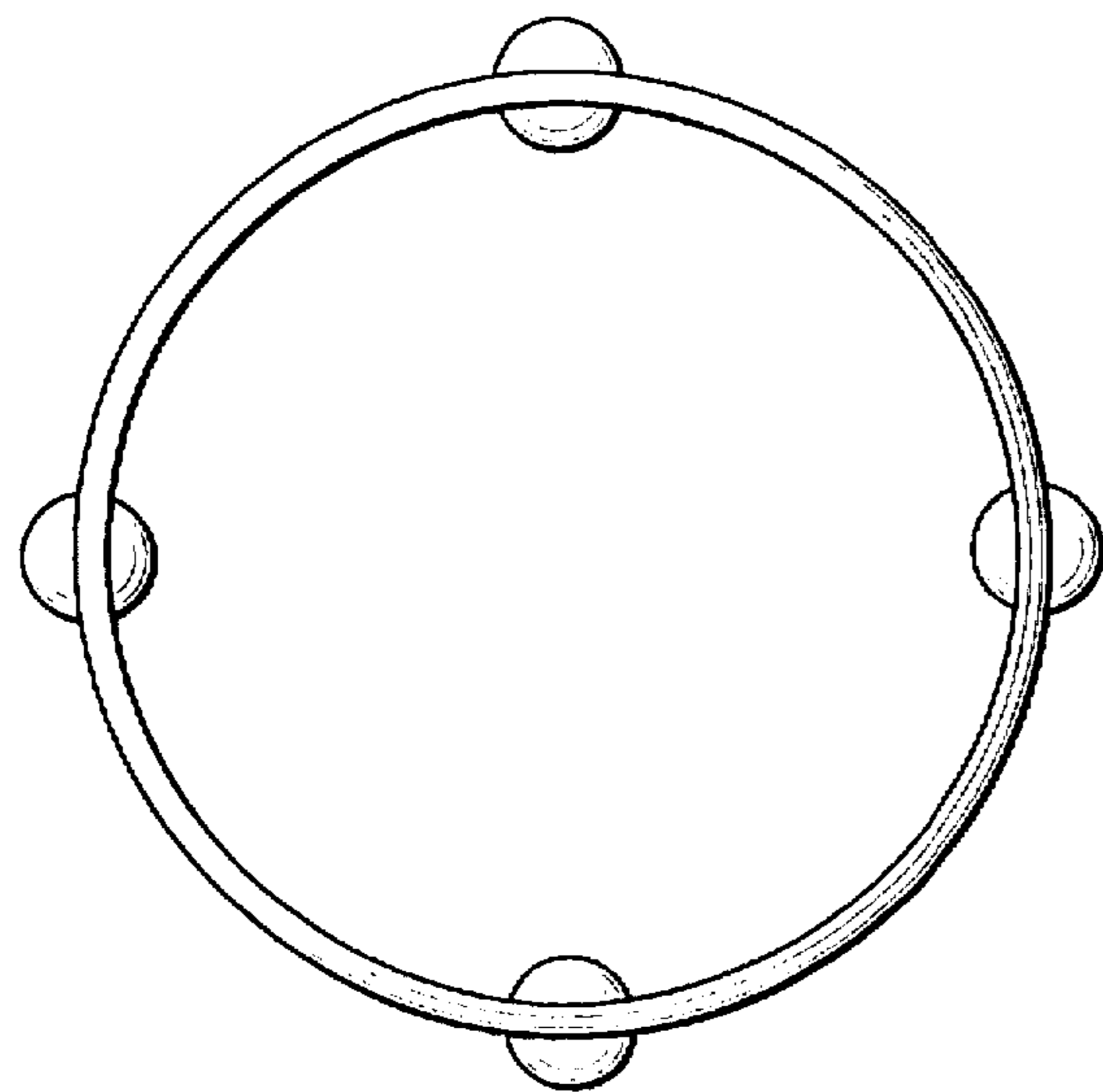


FIG. 4