



US00D397583S

# United States Patent [19]

Allison

[11] Patent Number: **Des. 397,583**

[45] Date of Patent: **\*\*Sep. 1, 1998**

[54] **TRICK OR TREAT TOY**

[76] Inventor: **Ian T. Allison**, P.O. Box 1705, Santa Rosa, Calif. 95402

[\*\*] Term: **14 Years**

[21] Appl. No.: **73,496**

[22] Filed: **Jul. 14, 1997**

[51] LOC (6) Cl. .... **07-06**

[52] U.S. Cl. .... **D7/601; D11/121; D11/125**

[58] Field of Search ..... **D3/201, 234-236, D3/270, 271; D7/601, 691, 692; D11/121, 125; D32/53; D99/25, 99; 30/324-328; 294/55; 206/457**

[56] **References Cited**

**U.S. PATENT DOCUMENTS**

D. 65,251 7/1924 Cook ..... D3/270

D. 369,727 5/1996 Ancona ..... D7/691  
D. 385,157 10/1997 Filipp et al. .... D7/601

*Primary Examiner*—Terry A. Wallace

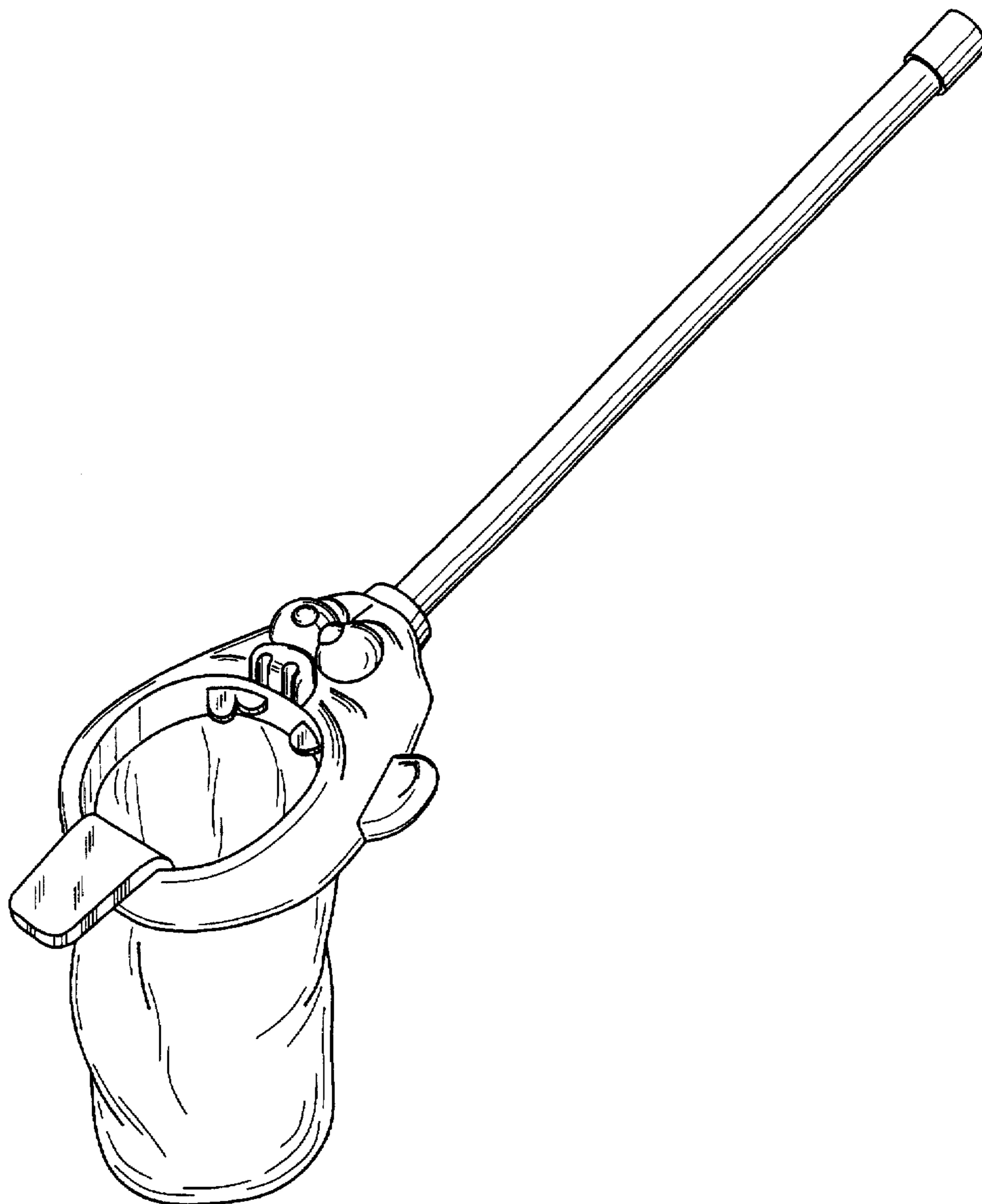
[57] **CLAIM**

The ornamental design for a trick or treat toy, as shown.

**DESCRIPTION**

FIG. 1 is a top perspective view of a trick or treat toy showing my new design;  
FIG. 2 is a rear view thereof;  
FIG. 3 is a front view thereof;  
FIG. 4 is a top view thereof;  
FIG. 5 is a bottom view thereof; and,  
FIG. 6 is a side view thereof with the opposite side view a mirror image thereof.

**1 Claim, 3 Drawing Sheets**



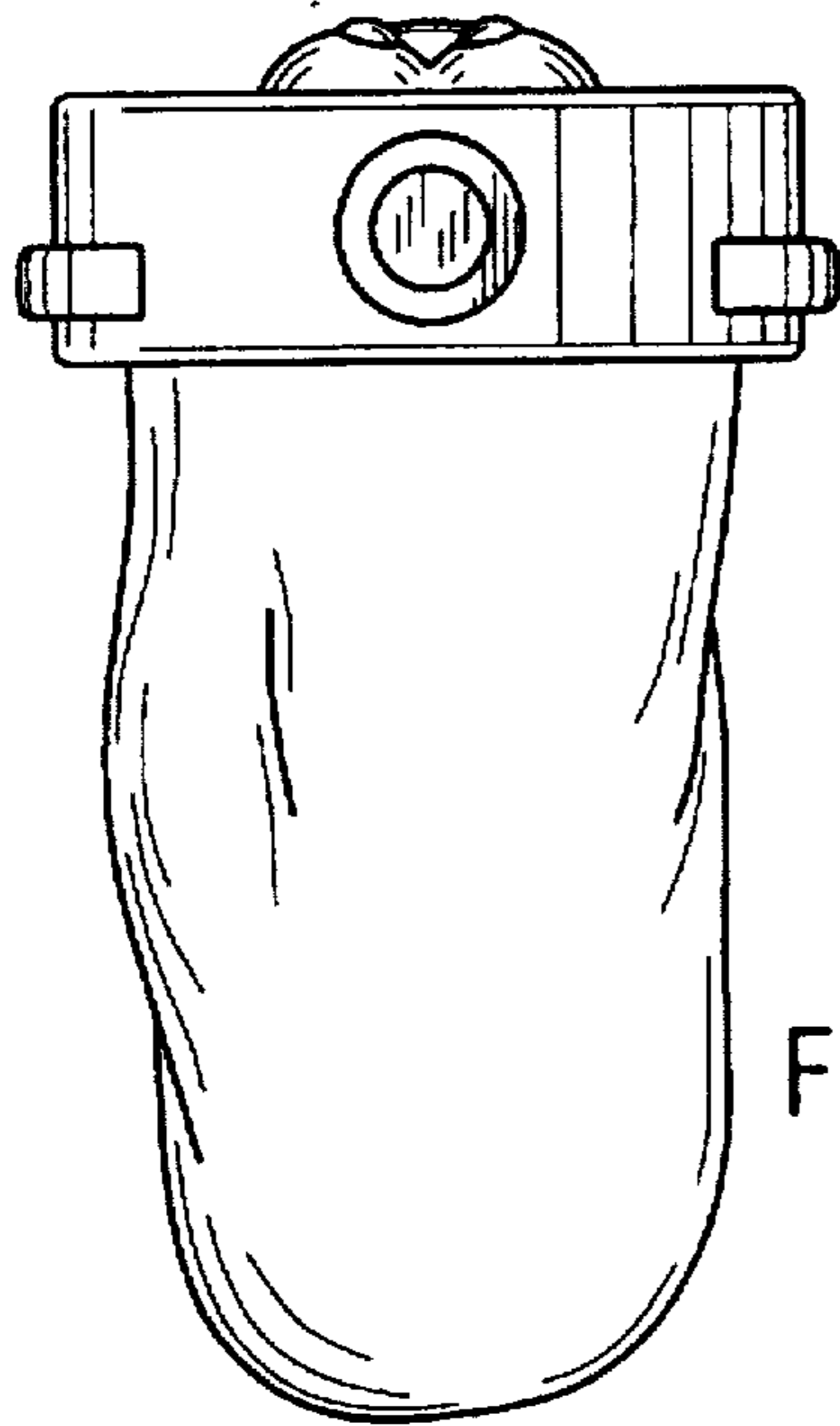


Fig. 2

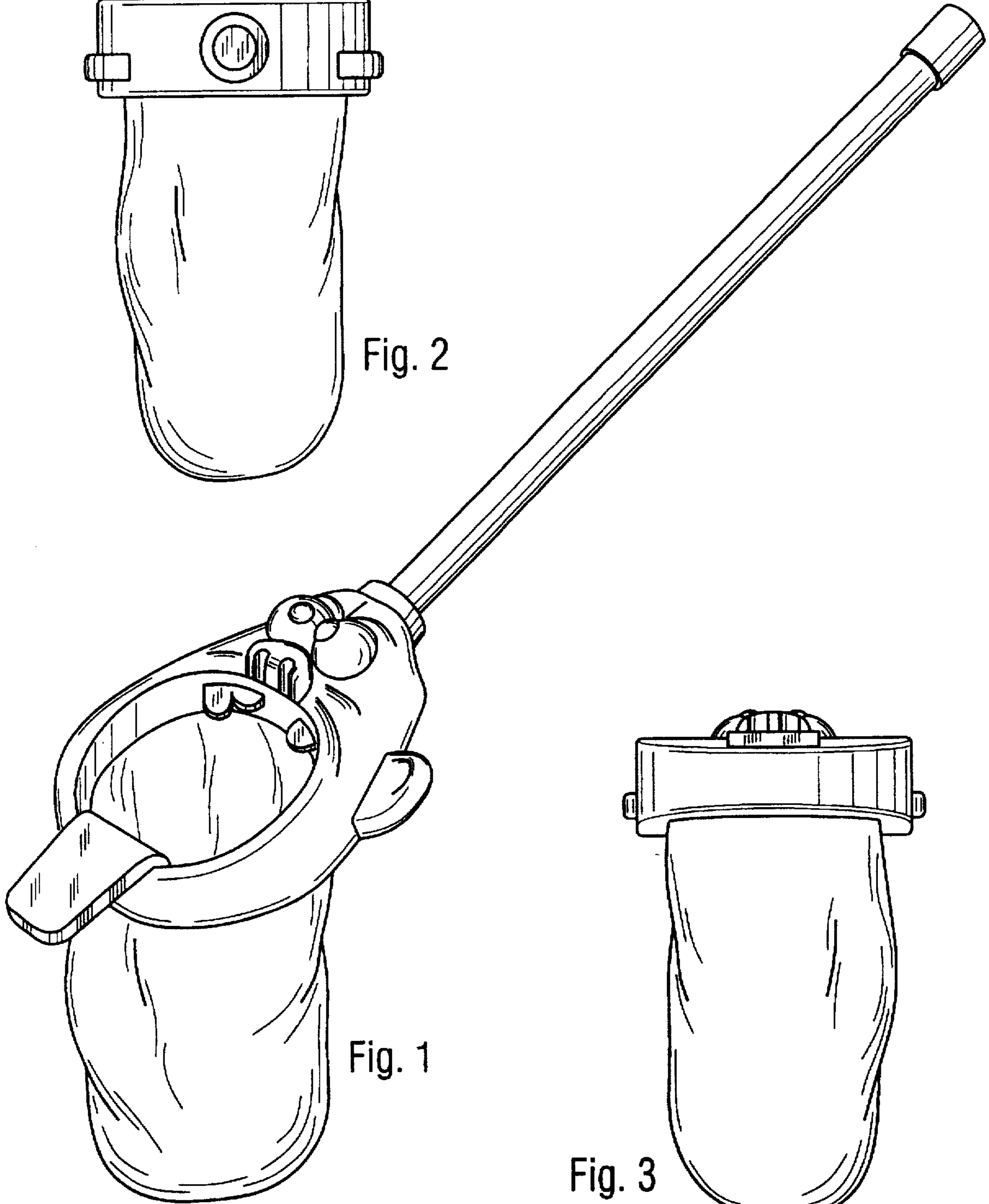


Fig. 1

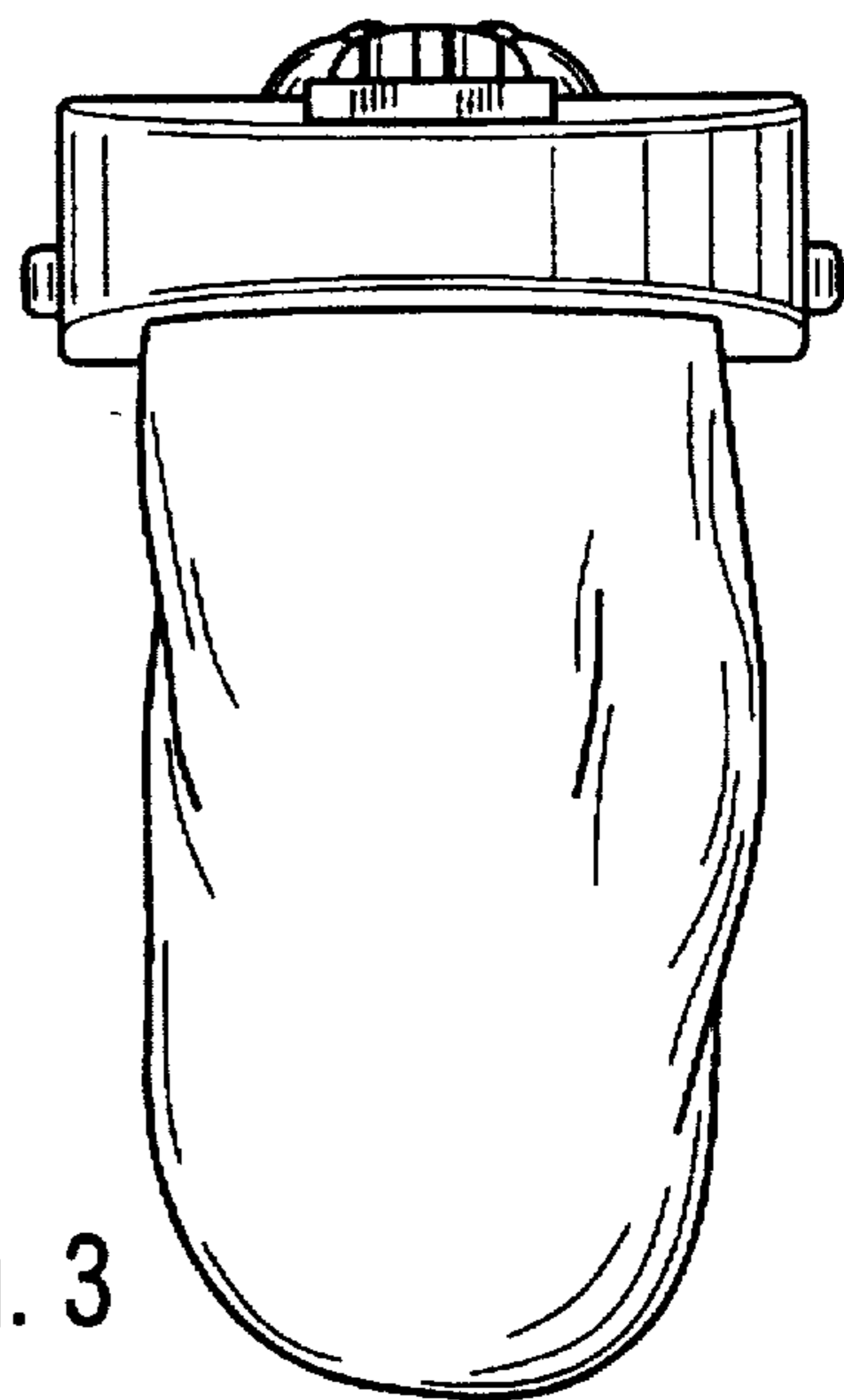
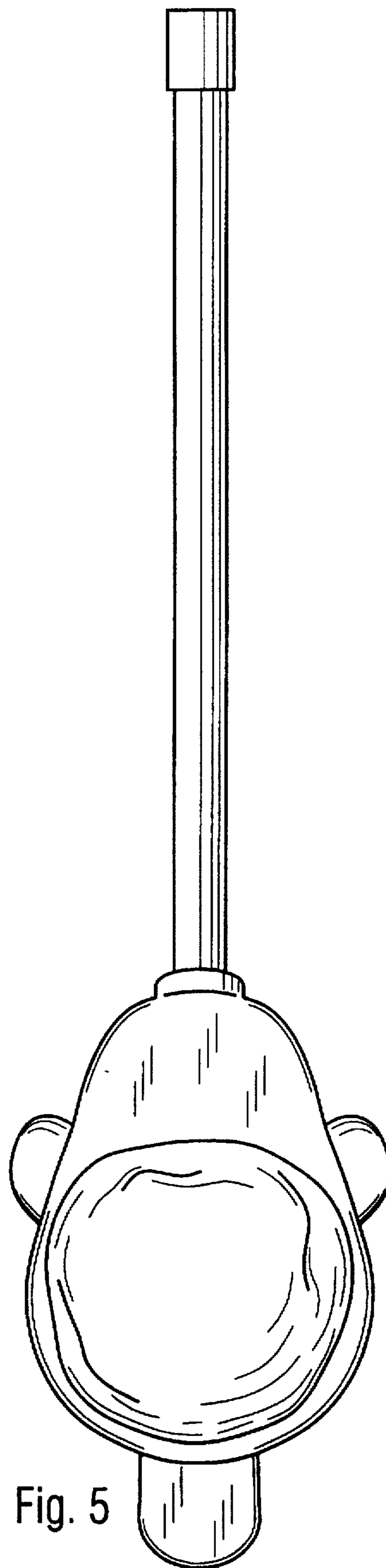
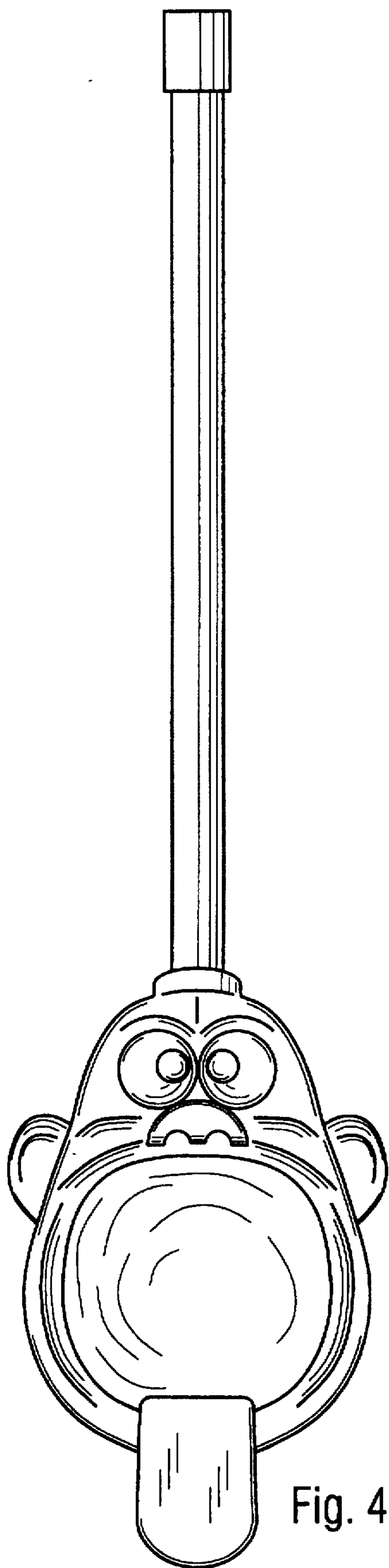


Fig. 3



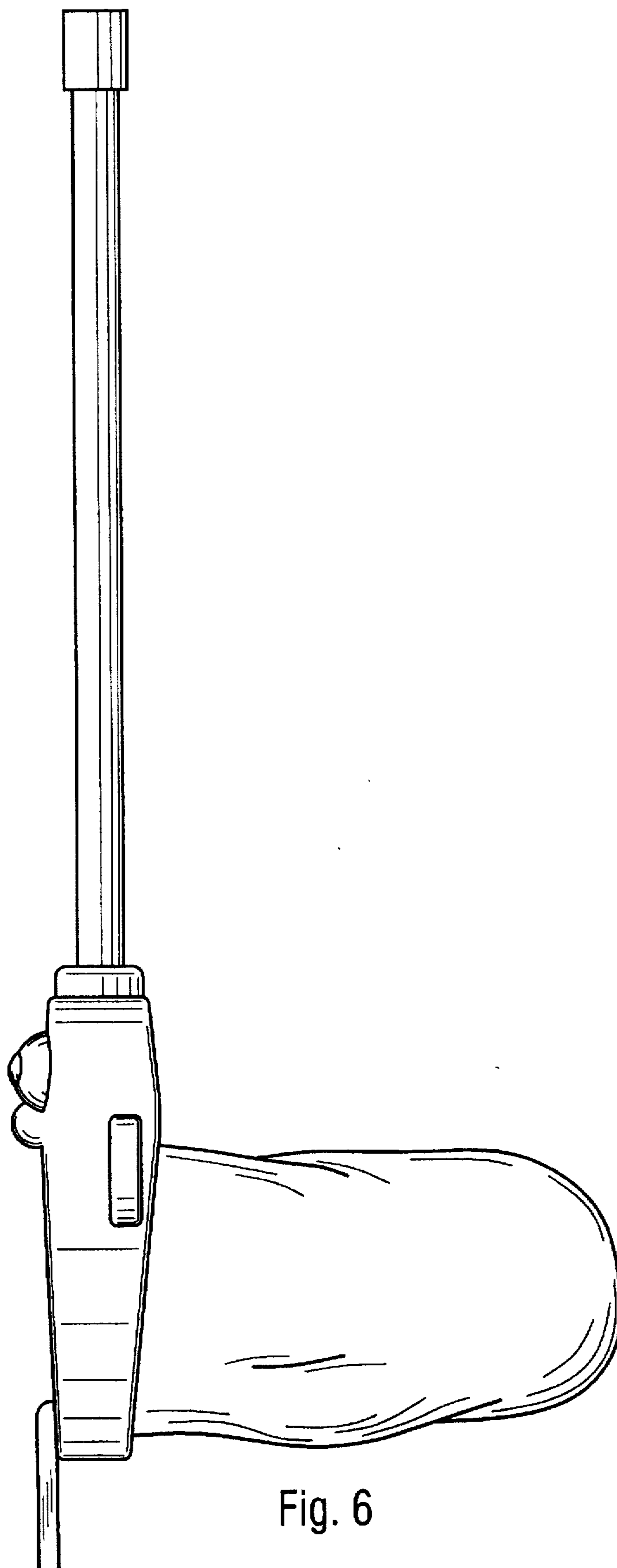


Fig. 6