



US00D397580S

United States Patent [19]

[11] Patent Number: **Des. 397,580**

Dunn et al.

[45] Date of Patent: ****Sep. 1, 1998**

[54] **BARBECUE GRILL COVER SHAPED LIKE A FOOTBALL HELMET**

[76] Inventors: **Gregory S. Dunn**, 32A Heritage Dr., Windsor, Conn. 06095; **Stylianos S. Manousos**, 12420 Plantation La., North Palm Beach, Fla. 33408; **Edward J. Kennedy**, 201 Bayou Ct., Coppell, Tex. 75013

[**] Term: **14 Years**

[21] Appl. No.: **65,606**

[22] Filed: **Jan. 30, 1997**

[51] LOC (6) Cl. **07-02**

[52] U.S. Cl. **D7/402; D7/332; D7/334**

[58] Field of Search D29/102, 106, D29/107; D7/332-337, 402, 213; 150/154, 165, 166; 126/25 R; D6/610

[56] References Cited

U.S. PATENT DOCUMENTS

- D. 212,137 8/1968 Wiggins .
- D. 220,072 3/1971 Hoff .
- D. 220,073 3/1971 Ehrlichmann .
- D. 224,063 6/1972 Wiggins .
- D. 246,469 11/1977 Morton et al. D29/106
- D. 260,069 8/1981 Birmingham .
- D. 270,606 9/1983 McCrary et al. D7/334
- D. 282,519 2/1986 Sustana .
- D. 285,279 8/1986 Arevalo et al. .
- D. 292,547 11/1987 Bayer .
- D. 302,094 7/1989 Reeves .
- D. 312,746 12/1990 Lutter .
- D. 312,915 12/1990 Gilfert et al. D29/106
- D. 314,882 2/1991 Bethel, Jr. .

- D. 324,153 2/1992 Wood D7/402
- D. 325,319 4/1992 Zilber et al. D7/337
- D. 326,583 6/1992 Lutter et al. D7/332
- D. 340,612 10/1993 Birmingham .
- D. 358,527 5/1995 Danielson et al. D7/332
- D. 373,047 8/1996 McCrary et al. D7/334
- D. 377,136 1/1997 Knuth D7/402
- D. 379,286 5/1997 Fincher D7/334

OTHER PUBLICATIONS

Florida Builder, Mar., 1954, p. 31.
Home Furnishings Daily, Jan., 1960, p. 33.

Primary Examiner—Ruth McInroy
Attorney, Agent, or Firm—Law Office of Victor E. Libert; Frederick A. Spaeth; David T. Shoneman

[57] CLAIM

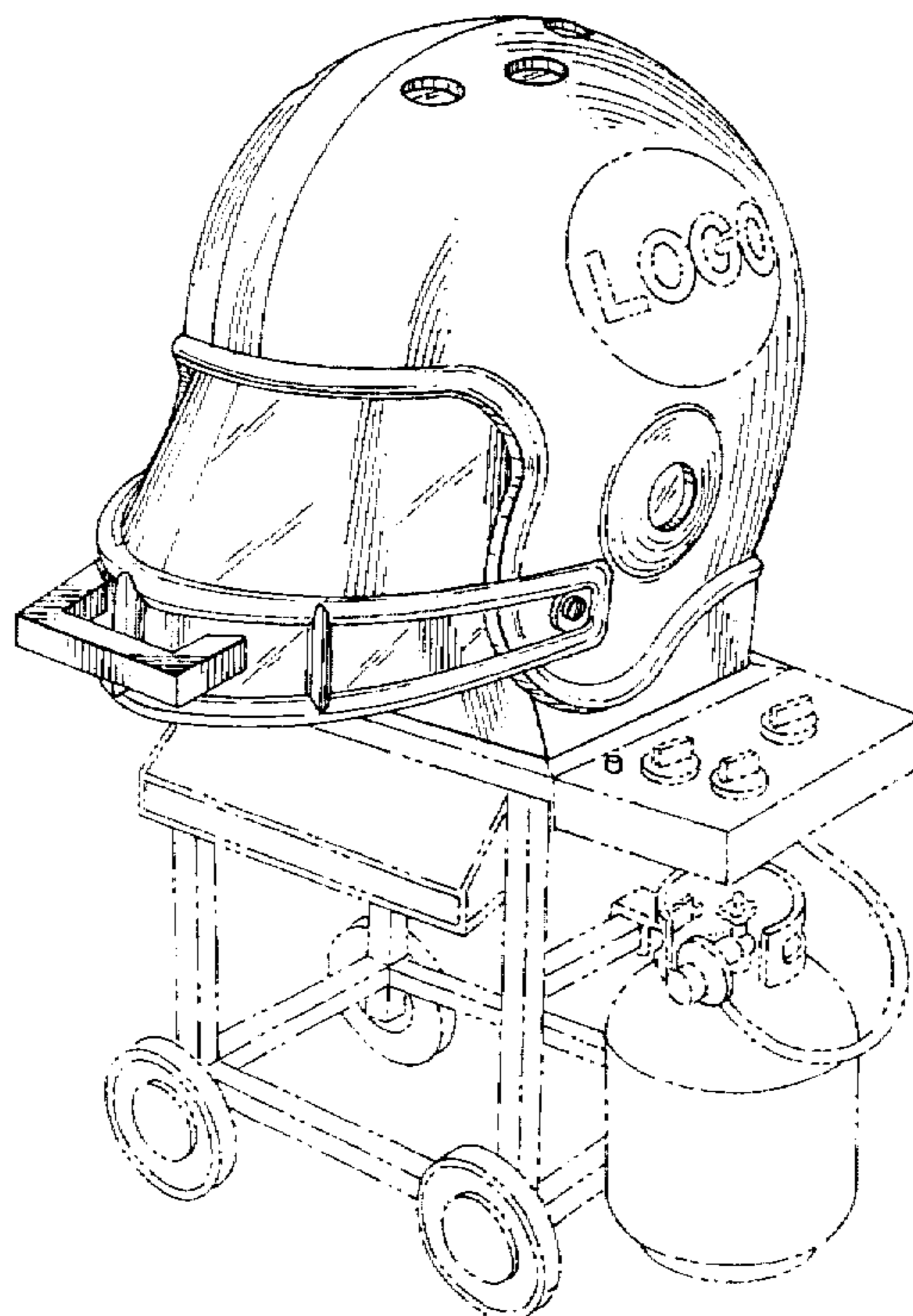
The ornamental design for a barbecue grill cover shaped like a football helmet, as shown and described.

DESCRIPTION

FIG. 1 is a front perspective view of a barbecue grill cover shaped like a football helmet showing my new design; FIG. 2 is a front elevational view thereof; FIG. 3 is a right side elevational view thereof; FIG. 4 is a left side elevational view thereof; FIG. 5 is a rear elevational view thereof; and, FIG. 6 is a top plan view thereof.

The broken lines showing the barbecue cart including the console panel, the gas tank and the logos are for illustrative purposes only and form no part of the claimed design. The grill cover has a generally concave configuration that is open at the bottom, which is configured to engage the grill, so there is no need for a bottom view of the invention.

1 Claim, 6 Drawing Sheets



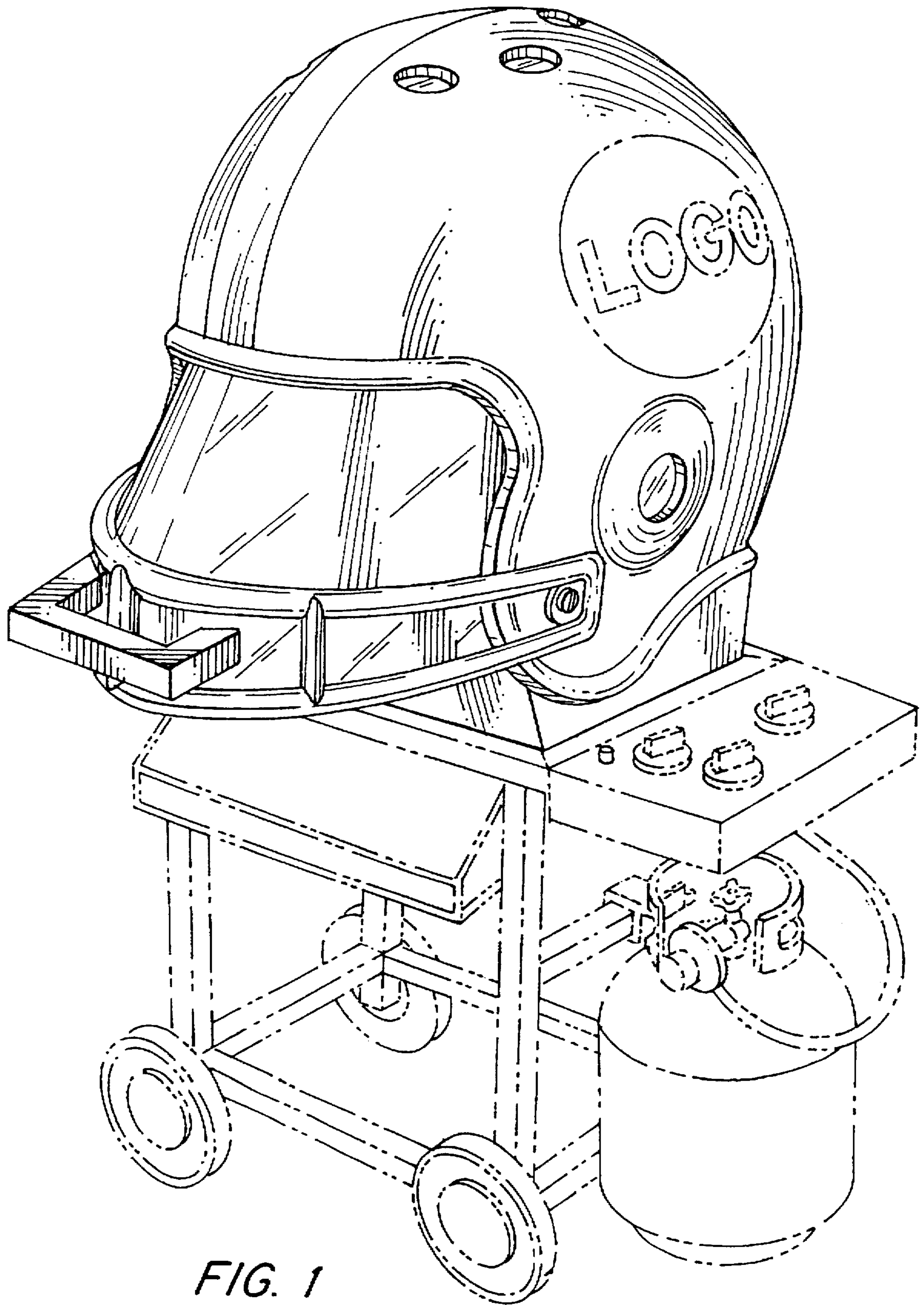


FIG. 1

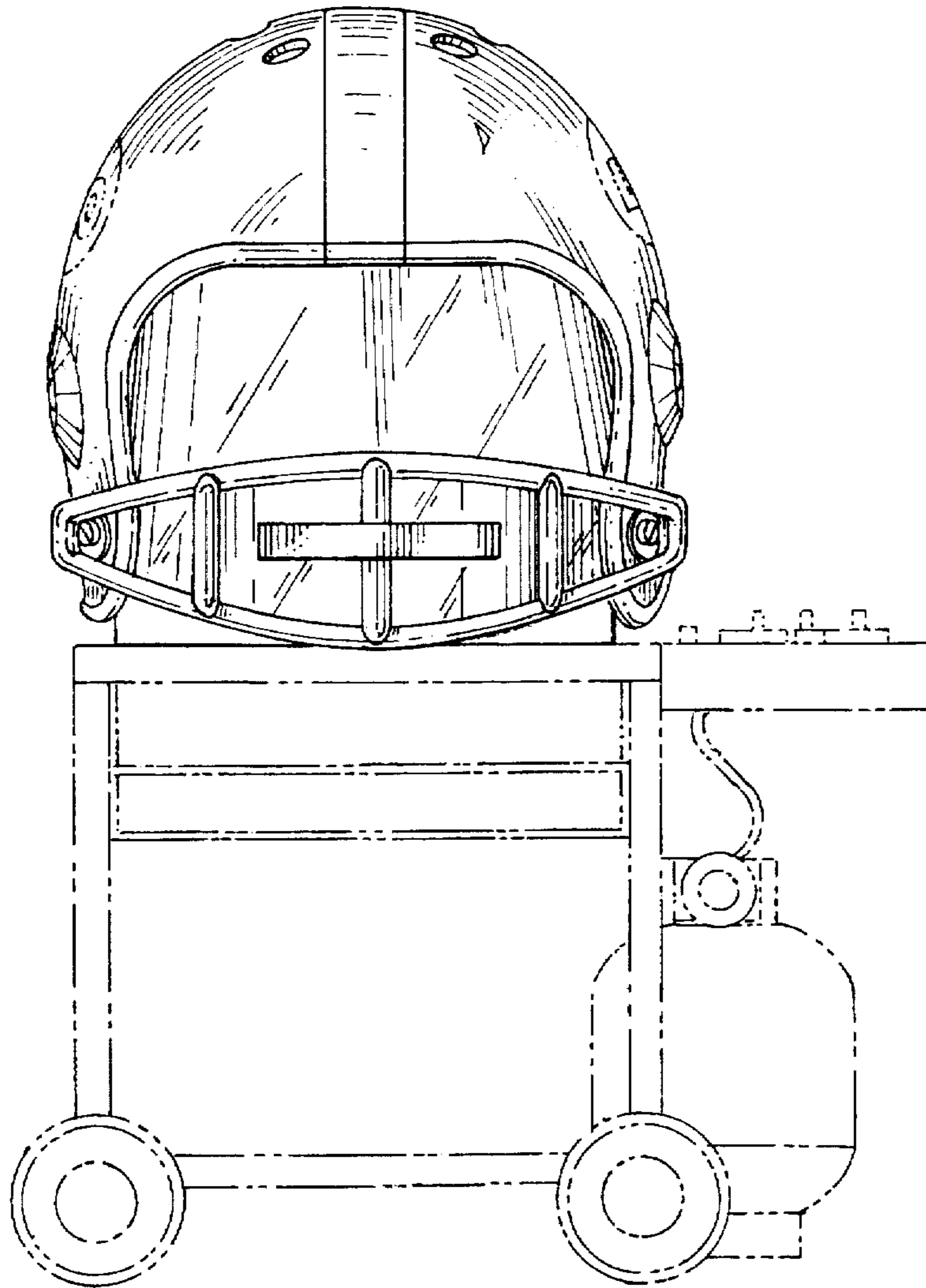


FIG. 2

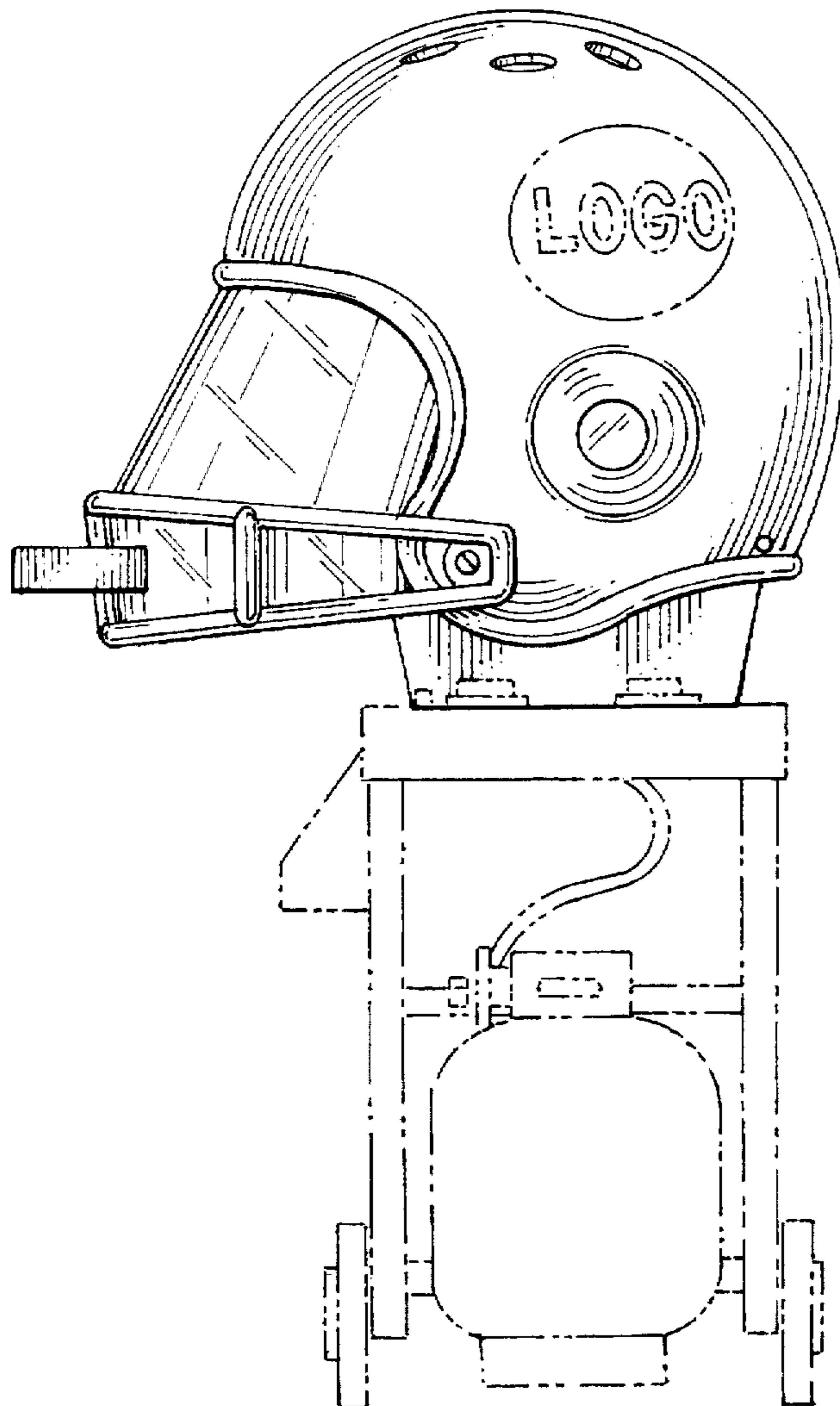


FIG. 3

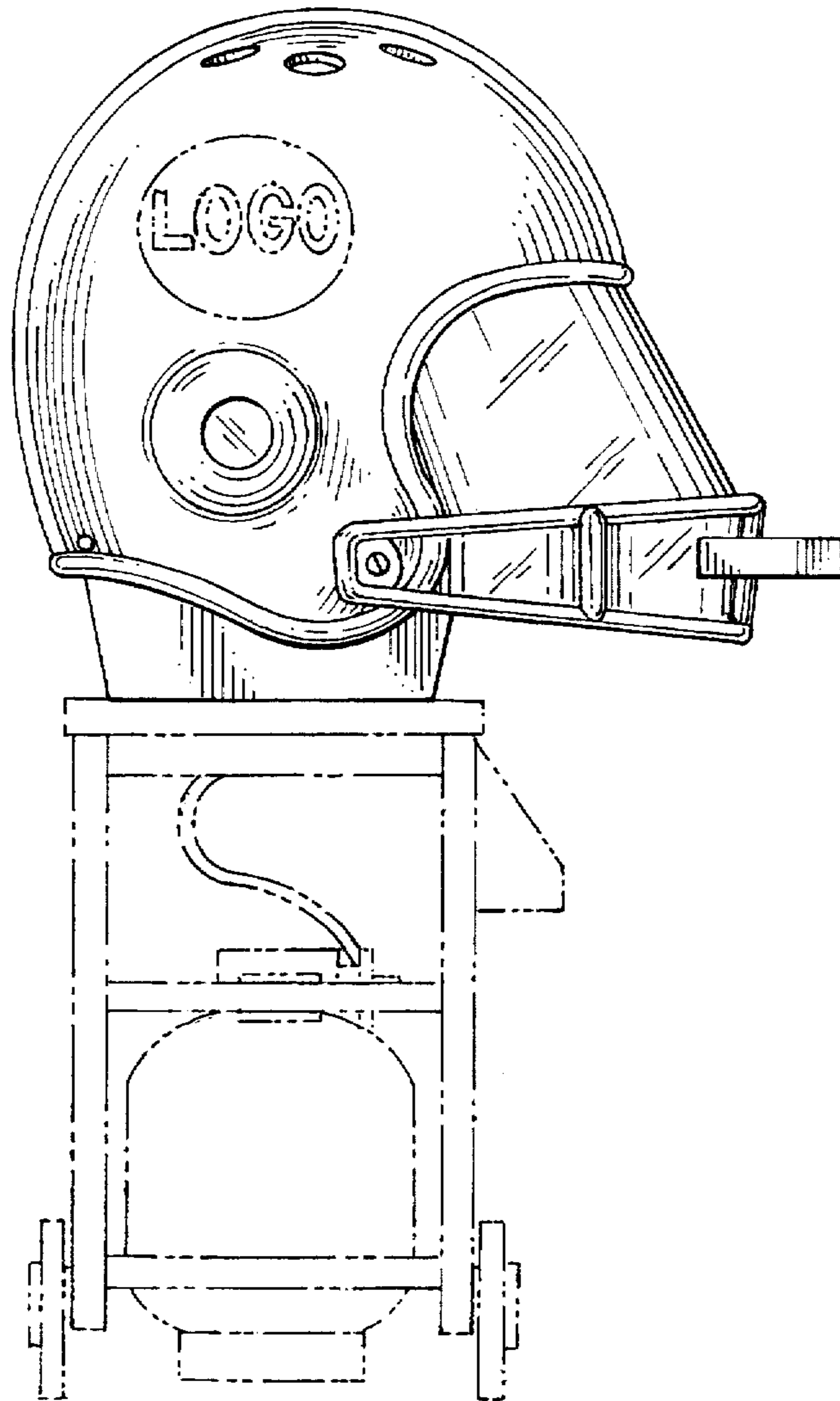
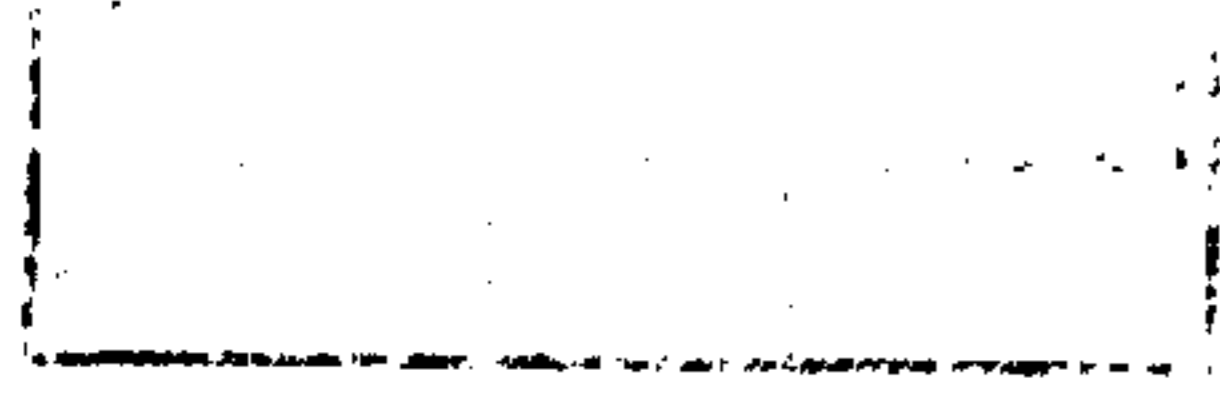


FIG. 4

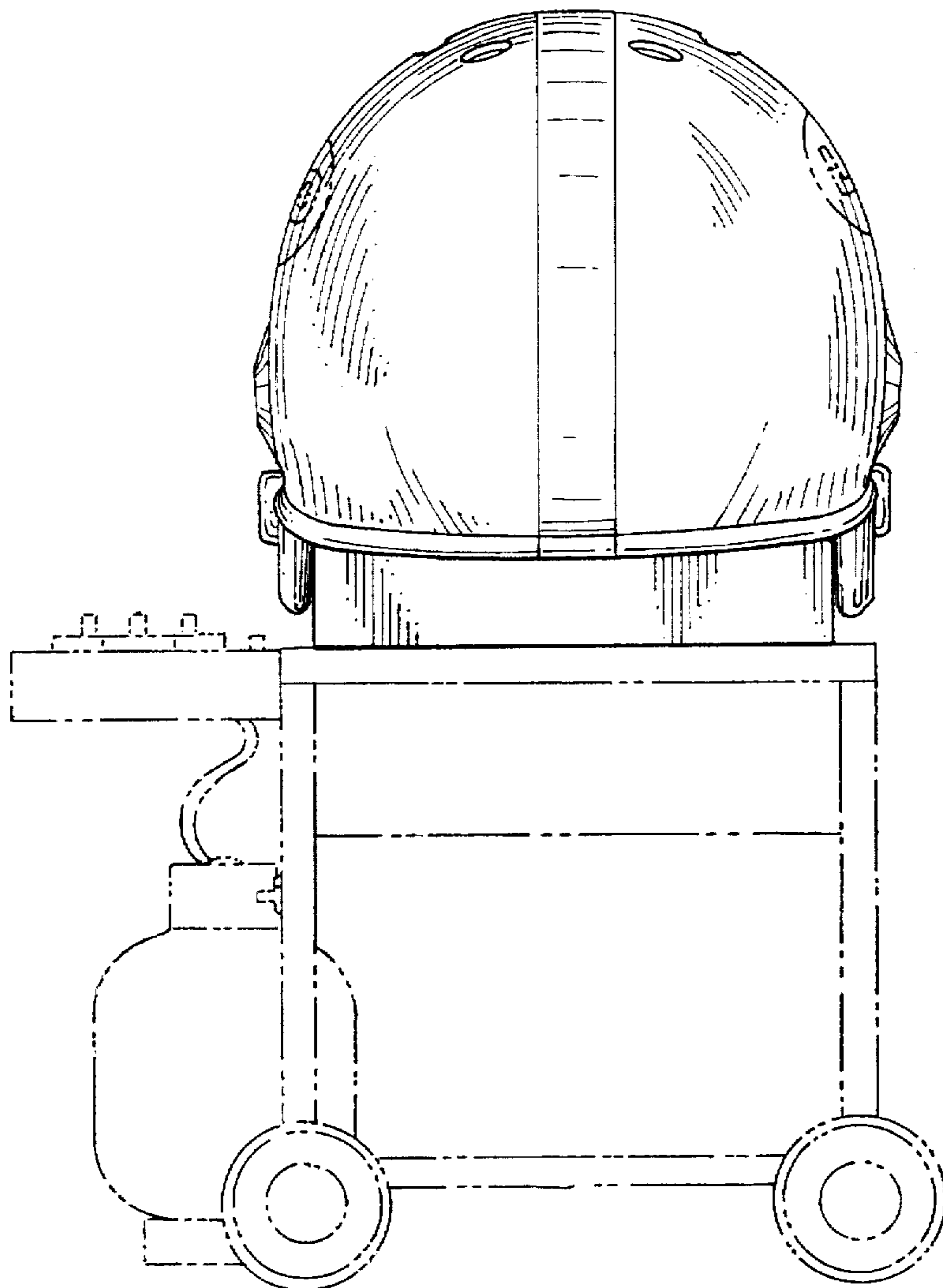


FIG. 5

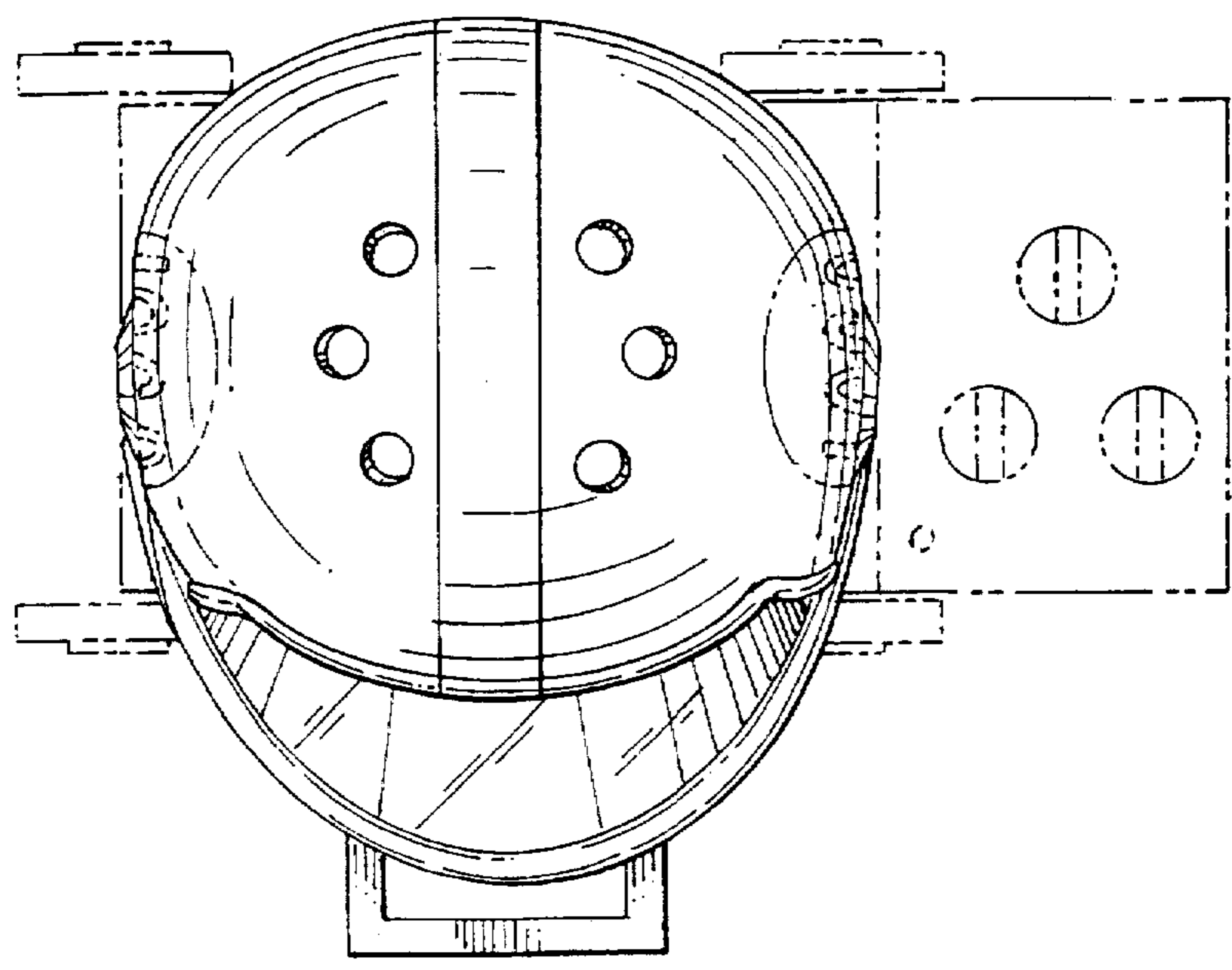
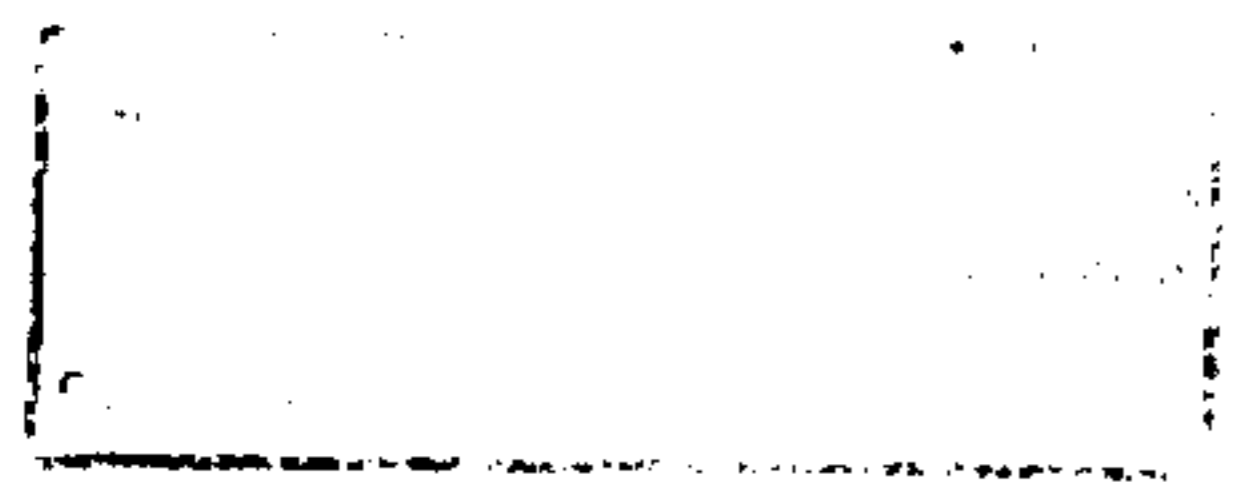


FIG. 6