



US00D397579S

United States Patent [19]

Wu Chang

[11] Patent Number: **Des. 397,579**

[45] Date of Patent: ****Sep. 1, 1998**

[54] **DEEP FRYER**

[75] Inventor: **Li-Chen Wu Chang**, Taoyuan, Taiwan

[73] Assignee: **Lyu Jan Co., Ltd.**, Taoyuan Hsien, Taiwan

[**] Term: **14 Years**

[21] Appl. No.: **59,082**

[22] Filed: **Sep. 3, 1996**

[51] LOC (6) Cl. **07-02**

[52] U.S. Cl. **D7/350**

[58] Field of Search **D7/31, 354, 350; 126/19 M, 21 A, 21 R, 275 R, 275 E; 99/341, 348, 359, 467-468; 219/391, 400, 402**

[56] **References Cited**

U.S. PATENT DOCUMENTS

- D. 314,687 2/1991 Kim D7/350
- D. 330,306 10/1992 Kim D7/350

- D. 351,759 10/1994 Maruyama et al. D7/350
- D. 357,384 4/1995 Maeda et al. D7/350
- D. 358,291 5/1995 Lee D7/350
- D. 358,528 5/1995 Hyun D7/350
- D. 360,104 7/1995 Wistrand D7/350
- D. 364,309 11/1995 Cesaroni et al. D7/350

Primary Examiner—Ruth McInroy

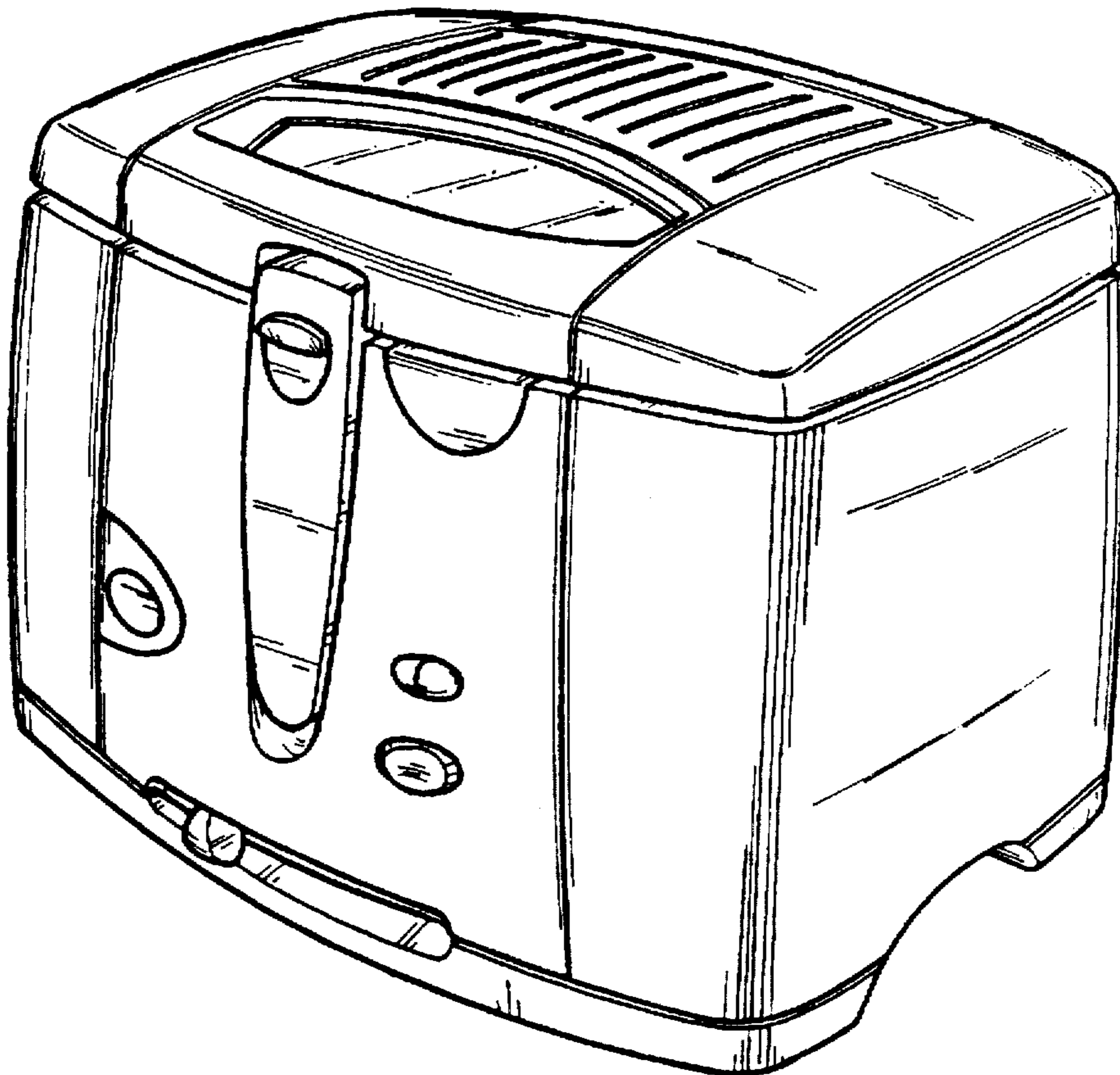
[57] **CLAIM**

The ornamental design for deep fryer, as shown and described.

DESCRIPTION

FIG. 1 is a perspective view of deep fryer showing my new design;
 FIG. 2 is a front elevational view thereof;
 FIG. 3 is a rear elevational view thereof;
 FIG. 4 is a left side elevational view thereof;
 FIG. 5 is a right side elevational view thereof;
 FIG. 6 is a top view thereof; and,
 FIG. 7 is a bottom view thereof.

1 Claim, 7 Drawing Sheets



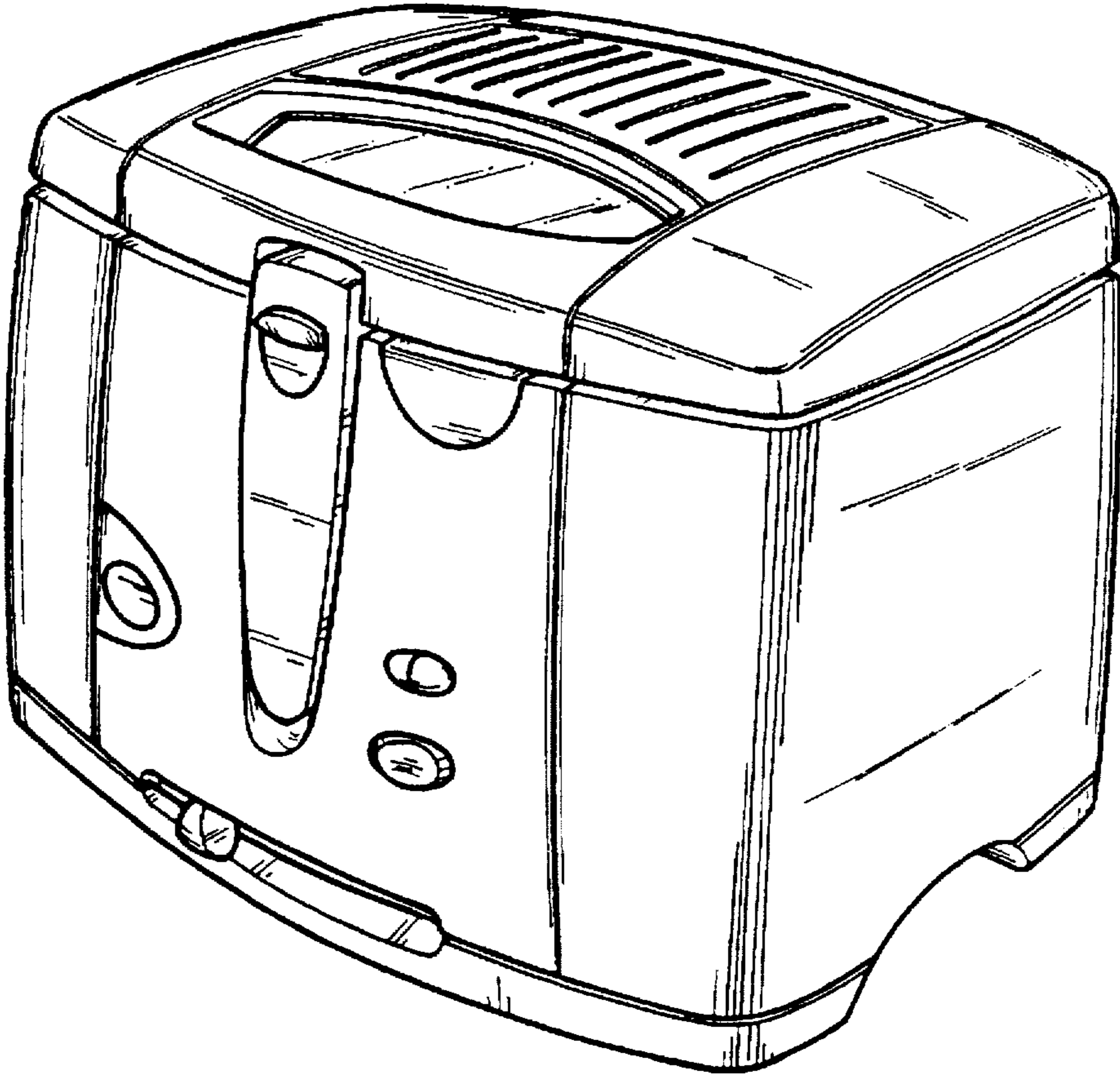


FIG 1

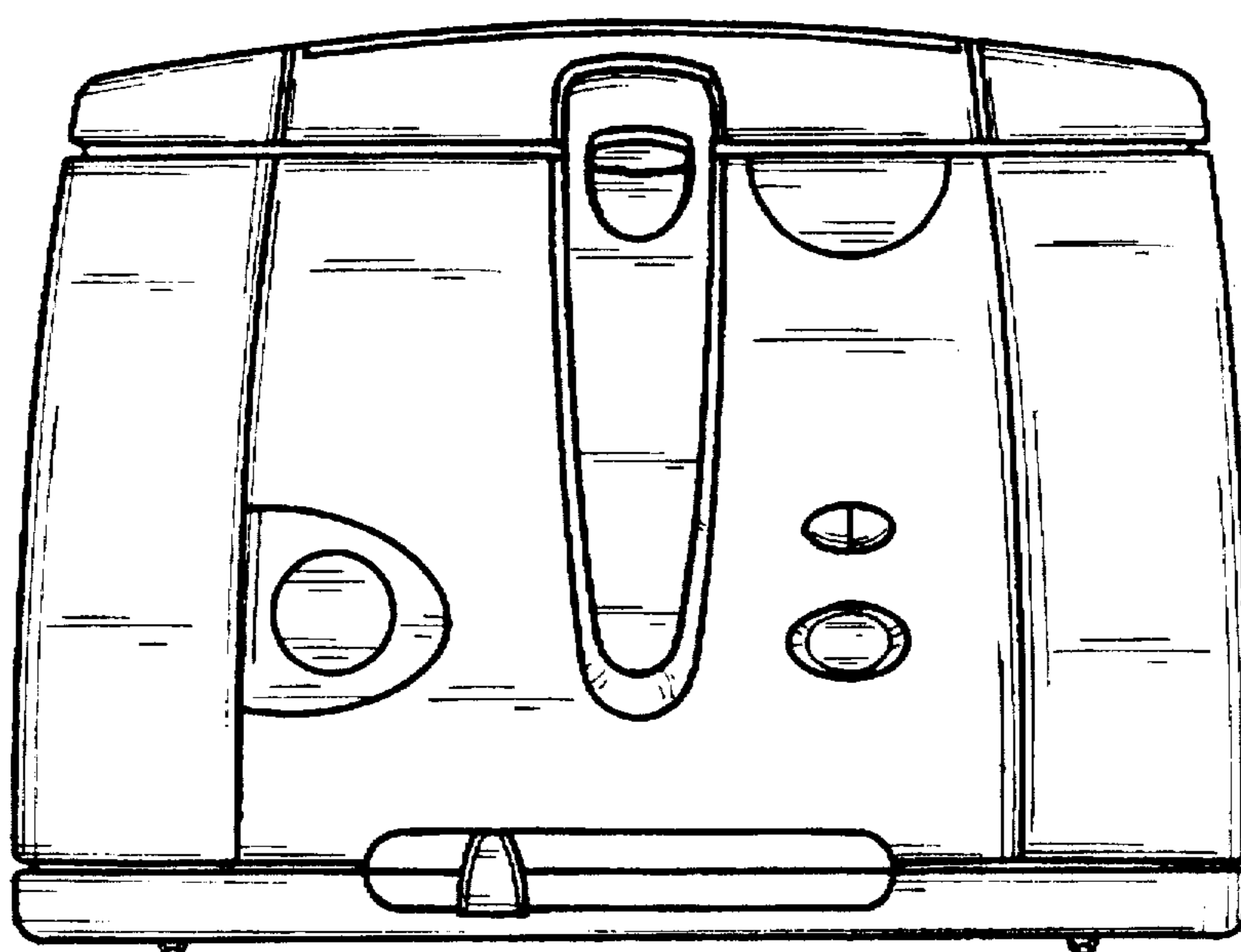


FIG 2

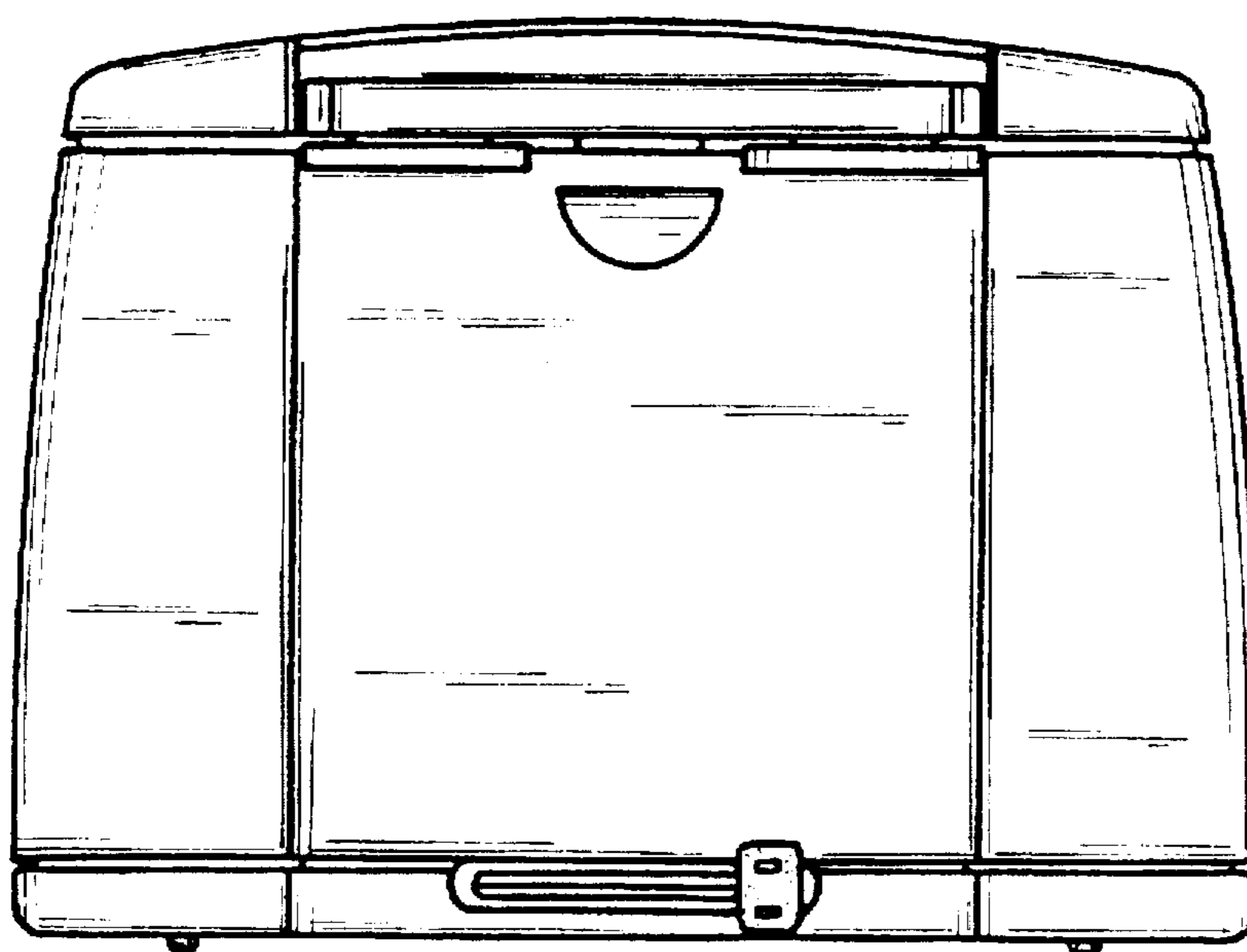


FIG 3

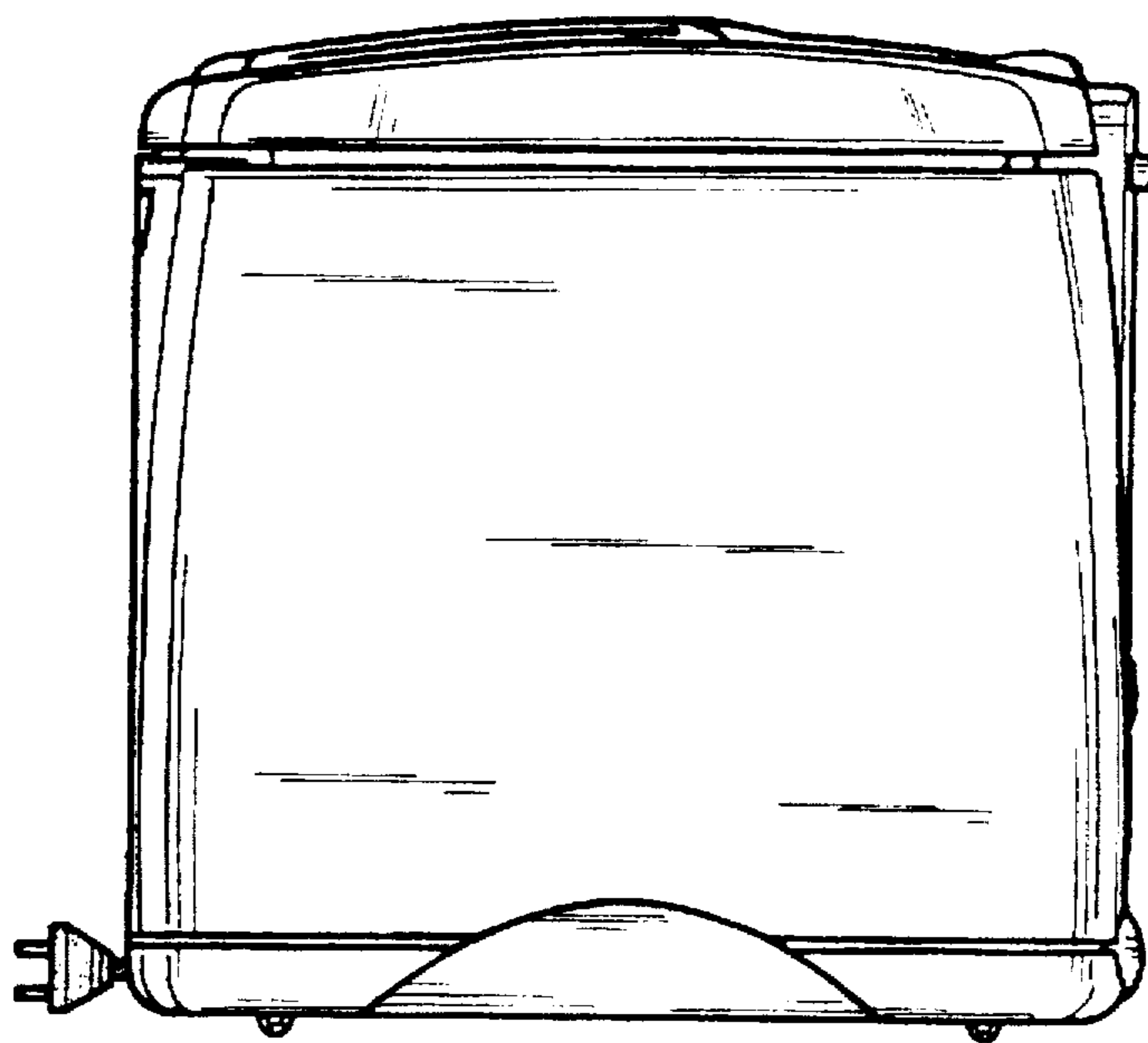


FIG 4

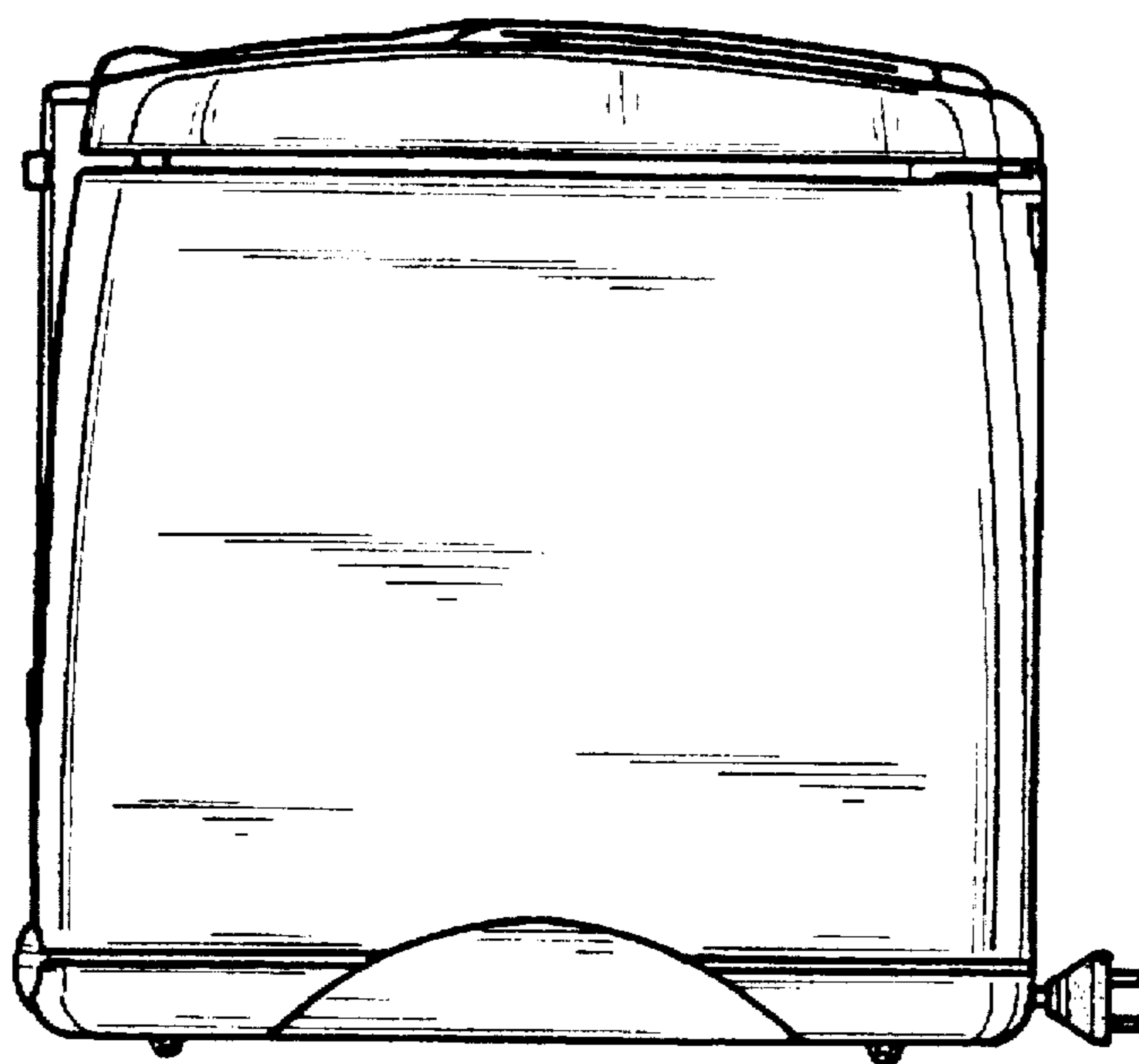


FIG 5

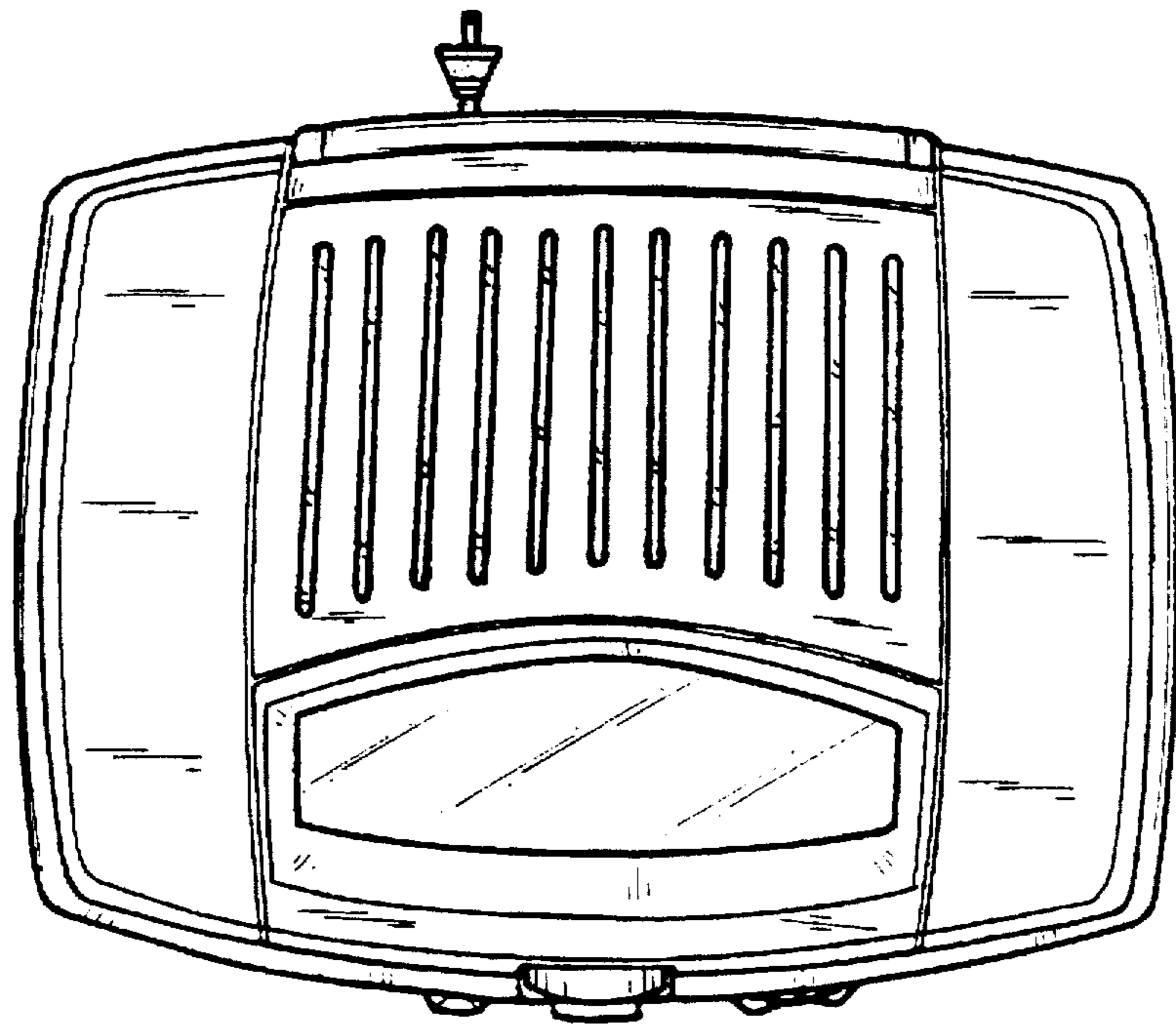


FIG 6

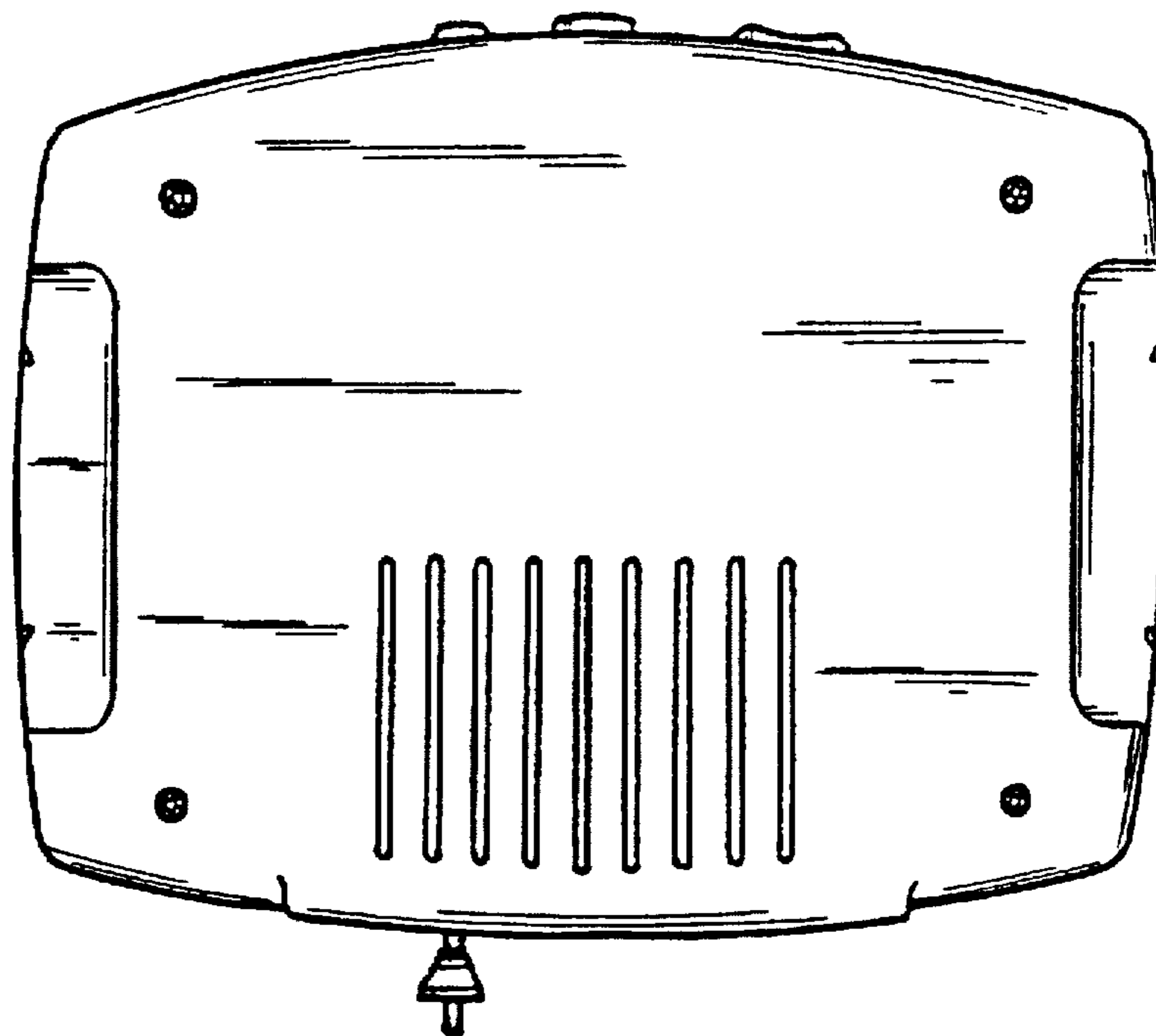


FIG 7