



US00D397576S

United States Patent [19]
Friedman

[11] **Patent Number: Des. 397,576**
[45] **Date of Patent: **Sep. 1, 1998**

[54] **PREGNANCY PILLOW**

[76] **Inventor: Loretta T. Friedman, 9269 Shore Rd., Apt. B1, Brooklyn, N.Y. 11209**

[**] **Term: 14 Years**

[21] **Appl. No.: 62,009**

[22] **Filed: Nov. 5, 1996**

[51] **LOC (6) Cl. 06-09**

[52] **U.S. Cl. D6/601; D6/604**

[58] **Field of Search D6/595, 596, 601, D6/604, 331; 5/630, 631, 636, 638, 652, 652.1, 654, 655, 655.3**

[56] **References Cited**

U.S. PATENT DOCUMENTS

D. 22,121	1/1893	Varnum	D6/604
D. 333,938	3/1993	Watson et al.	.	
2,107,962	2/1938	Sheasby	5/638
2,257,848	10/1941	Larkin	5/630
3,465,387	9/1969	Emery	5/630 X
4,288,879	9/1981	Pate	.	
4,506,396	3/1985	Ritchie, Jr. et al.	.	
4,944,059	7/1990	Wall	.	
4,984,315	1/1991	Ortman et al.	.	
5,418,991	5/1995	Shiflett	.	
5,504,953	4/1996	Singer-Leyton et al.	.	
5,515,563	5/1996	Chao	.	
5,519,906	5/1996	Fanto-Chan	.	
5,522,104	6/1996	Little	.	
5,566,682	10/1996	Yavitz	.	

Primary Examiner—Janice E. Seeger
Attorney, Agent, or Firm—Michael R. Gilman, Esq.; Kaplan & Gilman, LLP

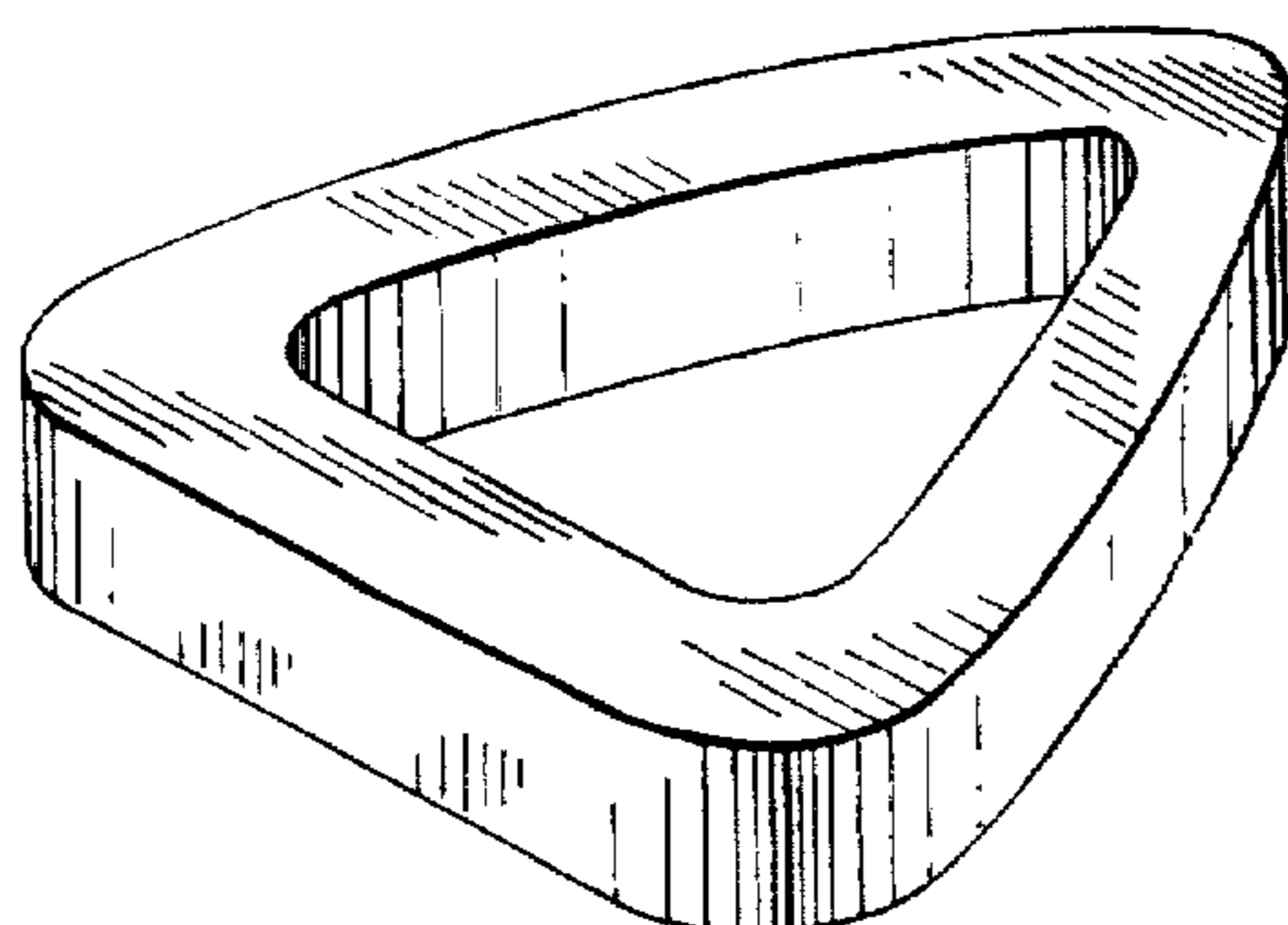
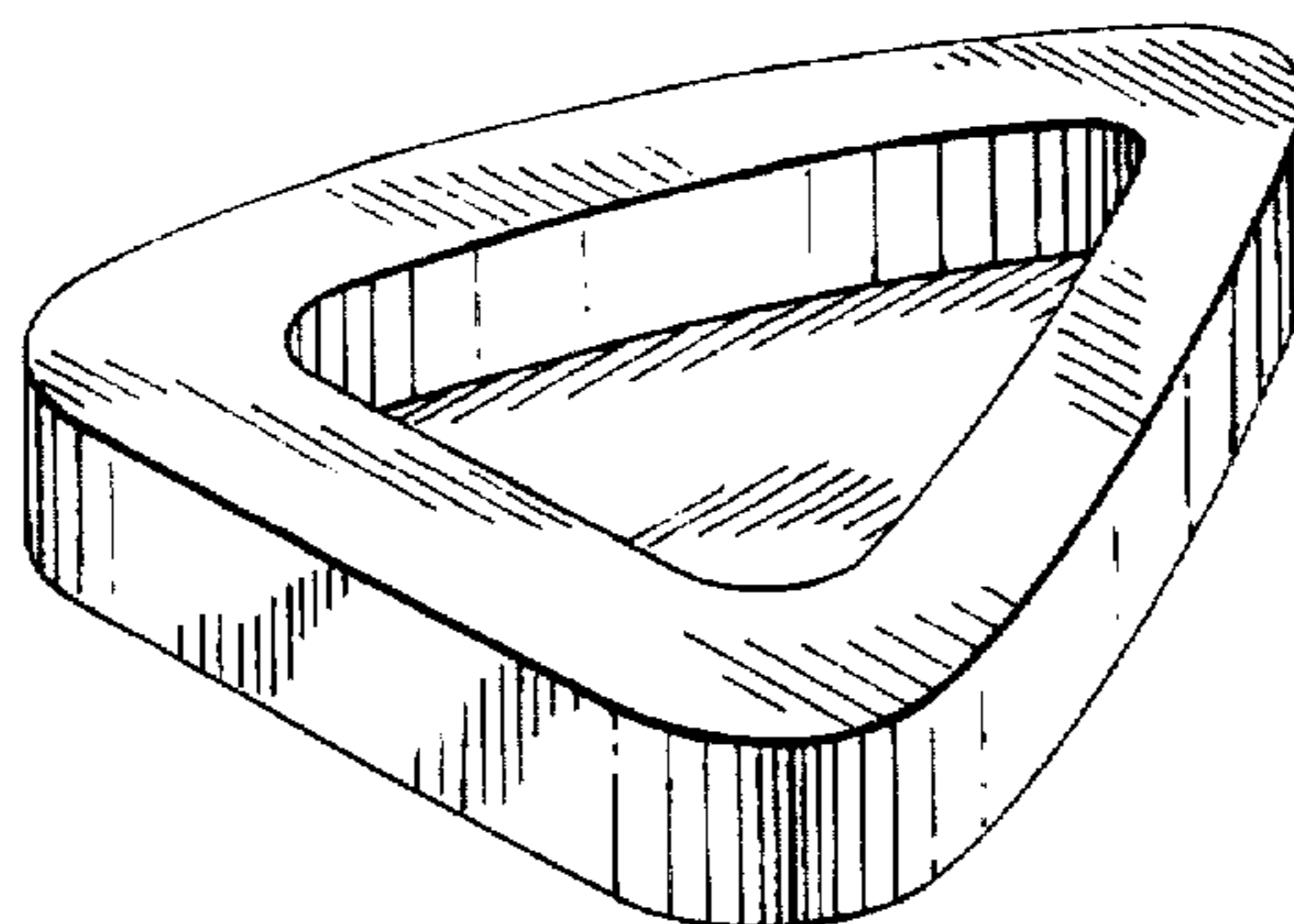
[57] **CLAIM**

The ornamental design for a pregnancy pillow, as shown and described.

DESCRIPTION

FIG. 1 is a perspective view of a first embodiment of the claimed invention;
 FIG. 2 is a top plan view of a first embodiment of the claimed invention;
 FIG. 3 is a front elevational view of a first embodiment of the claimed invention;
 FIG. 4 is a left-side elevational view of a first embodiment of the claimed invention, the right-side elevational view being a mirror image thereof;
 FIG. 5 is a rear elevational view of a first embodiment of the claimed invention;
 FIG. 6 is a bottom plan view of a first embodiment of the claimed invention;
 FIG. 7 is a perspective view of a second embodiment of the claimed invention;
 FIG. 8 is a top plan view of a second embodiment of the claimed invention;
 FIG. 9 is a front elevational view of a second embodiment of the claimed invention;
 FIG. 10 is a left-side elevational view of a second embodiment of the claimed invention, the right-side elevational view being a mirror image thereof;
 FIG. 11 is a rear elevational view of a second embodiment of the claimed invention; and,
 FIG. 12 is a bottom plan view of a second embodiment of the claimed invention.

1 Claim, 4 Drawing Sheets



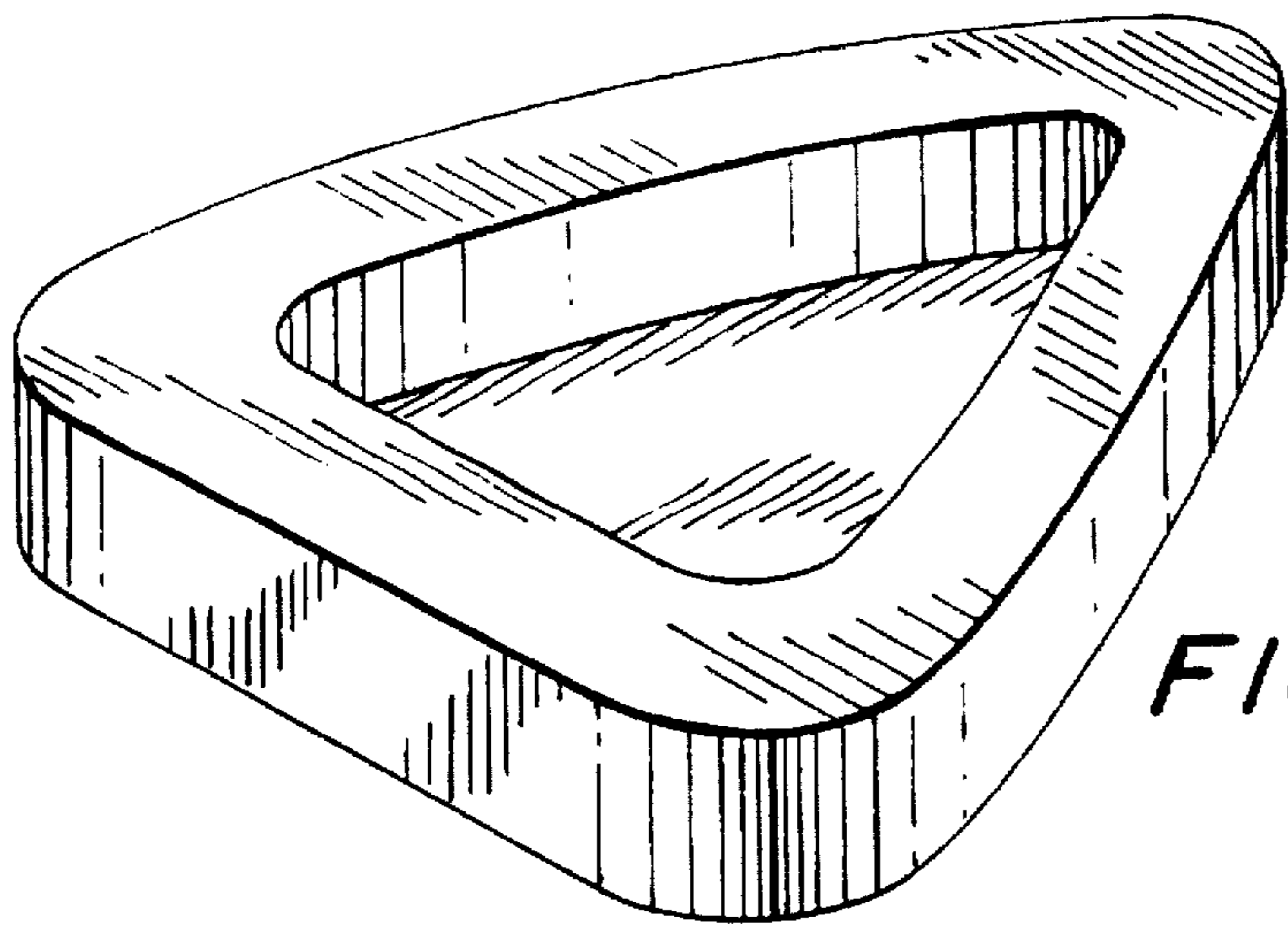


FIG. 1

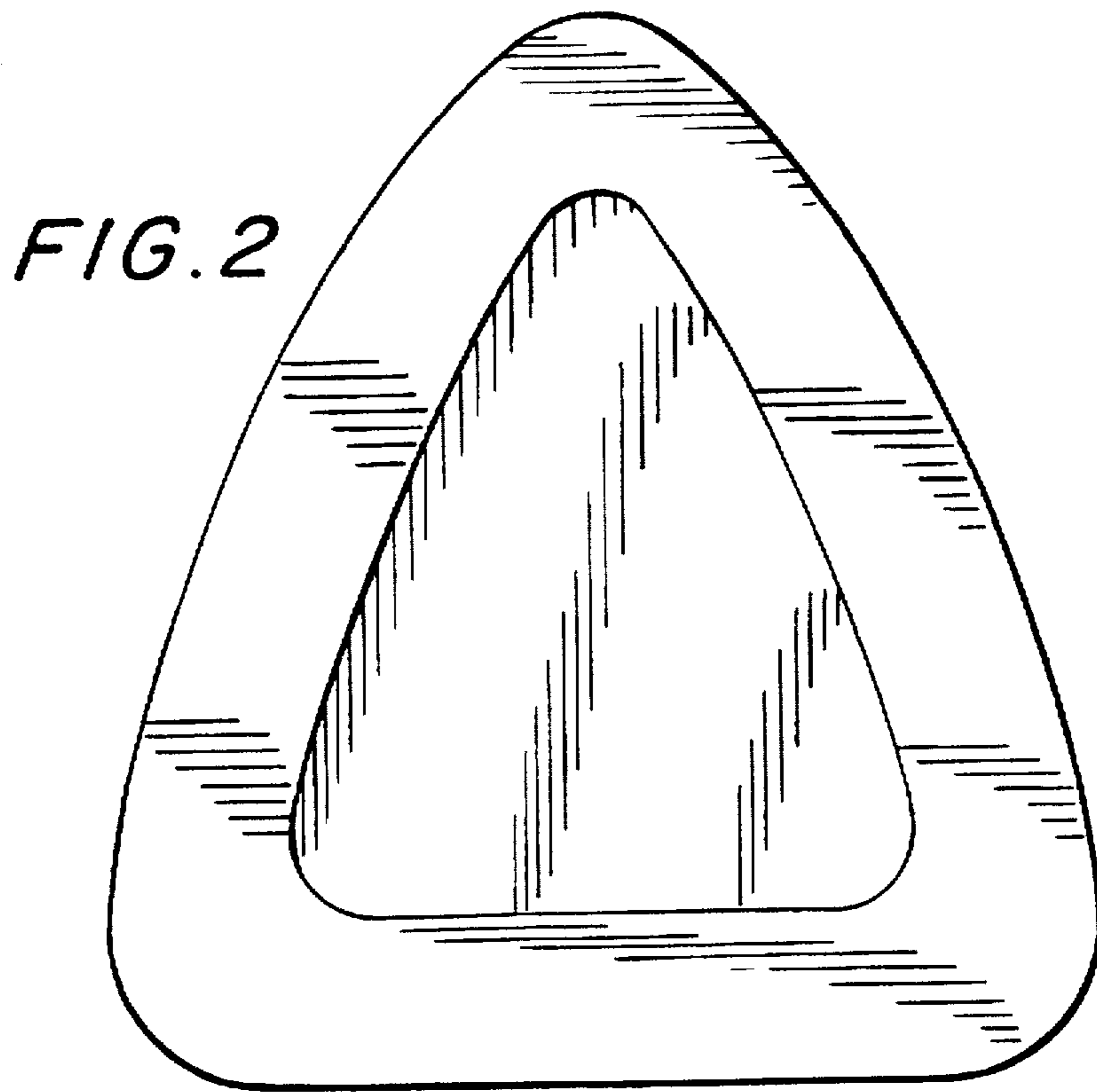


FIG. 2

FIG. 3

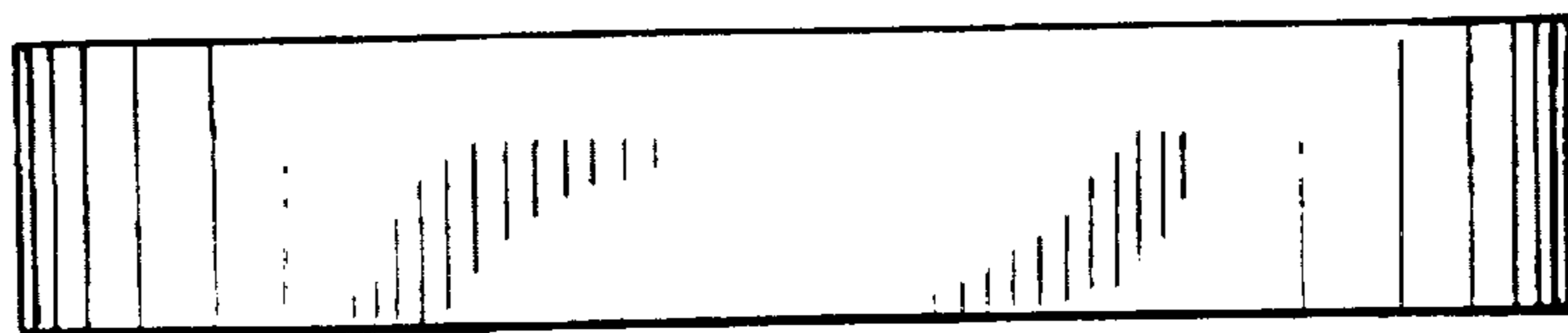


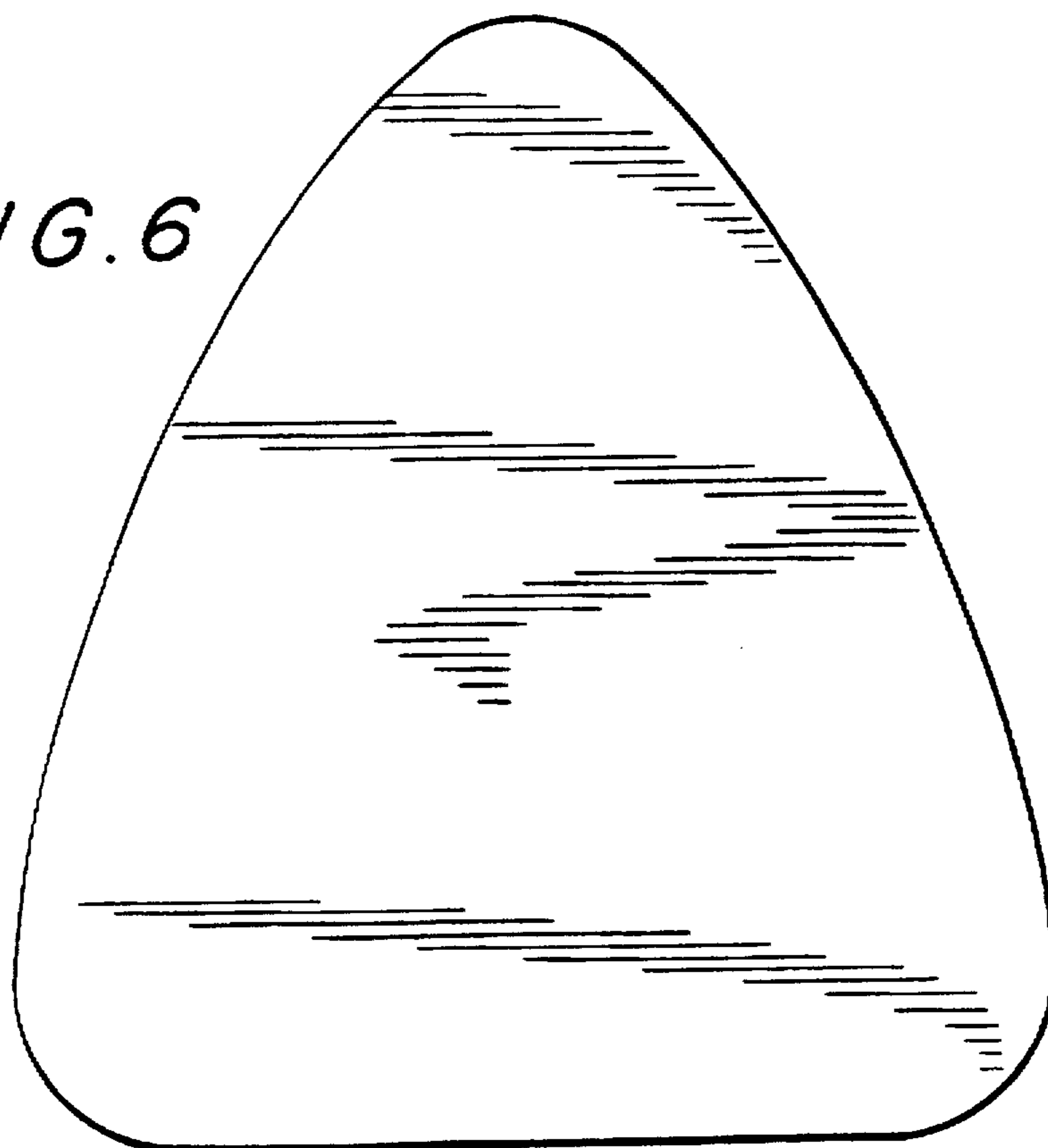
FIG. 4



FIG. 5



FIG. 6



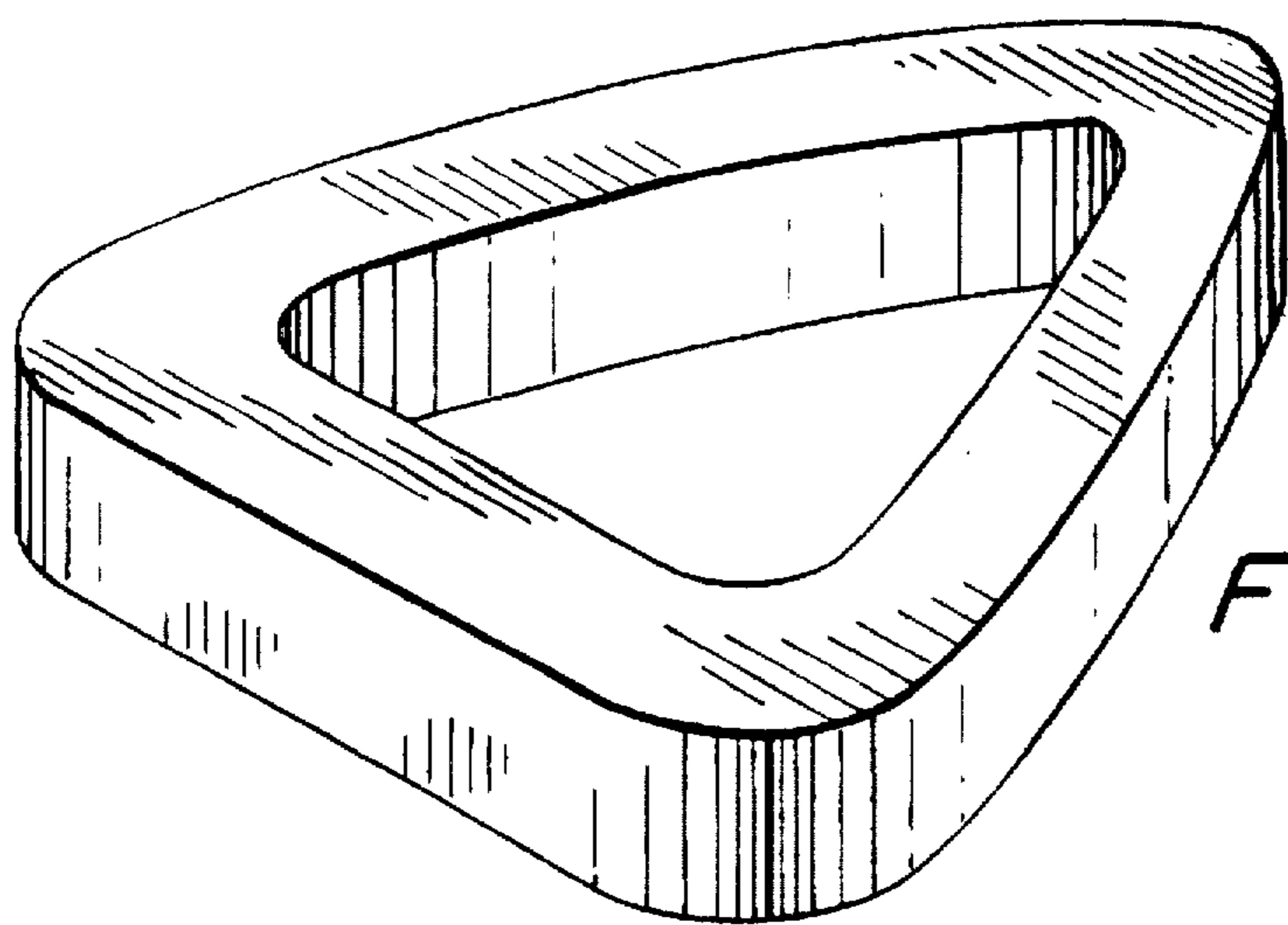


FIG. 7

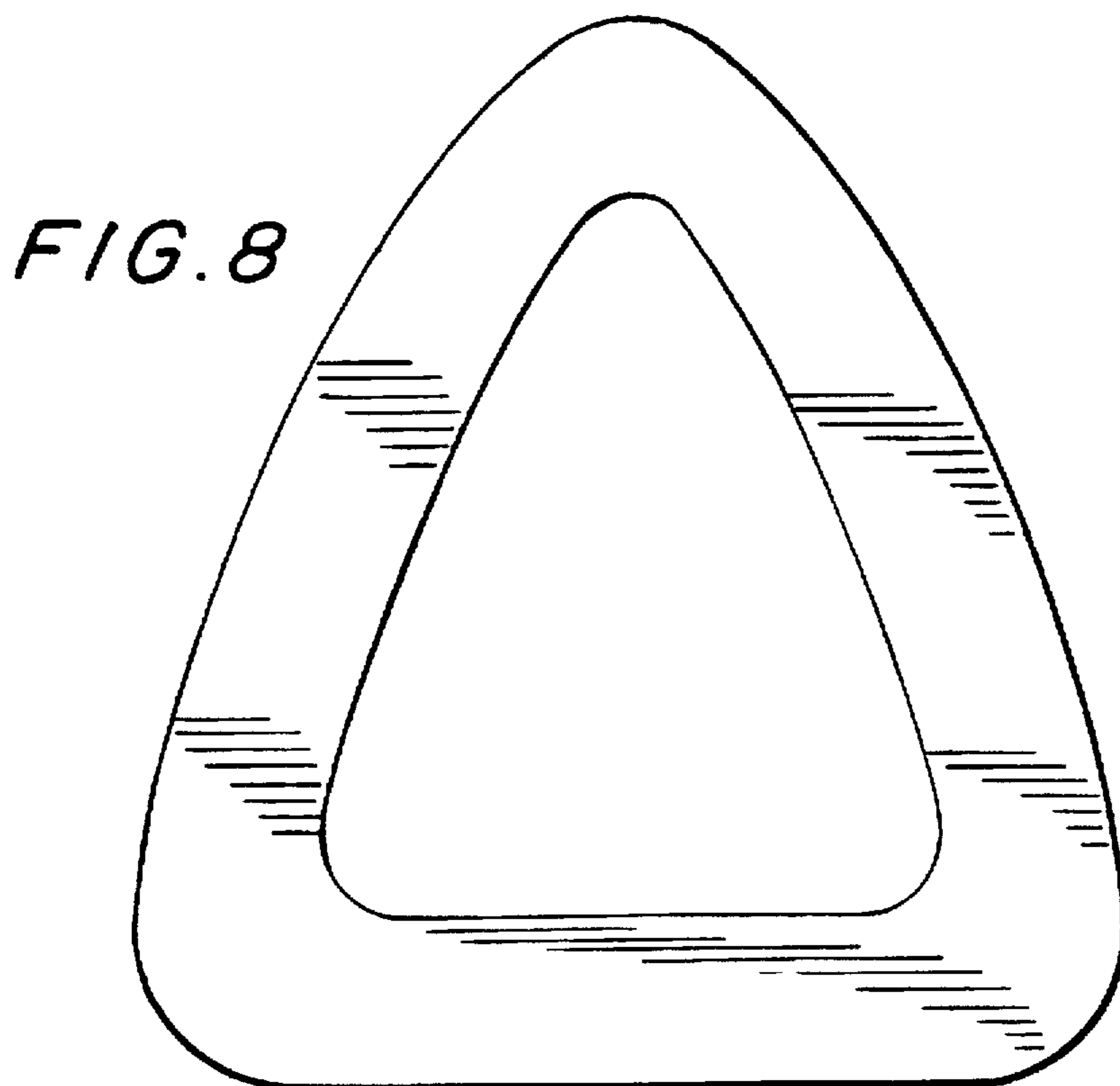


FIG. 8

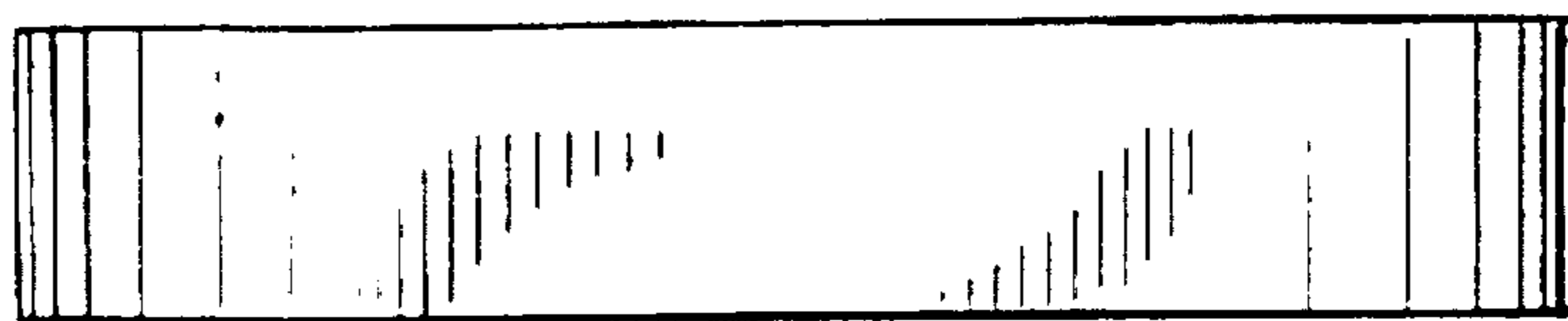


FIG. 9

FIG. 10



FIG. 11

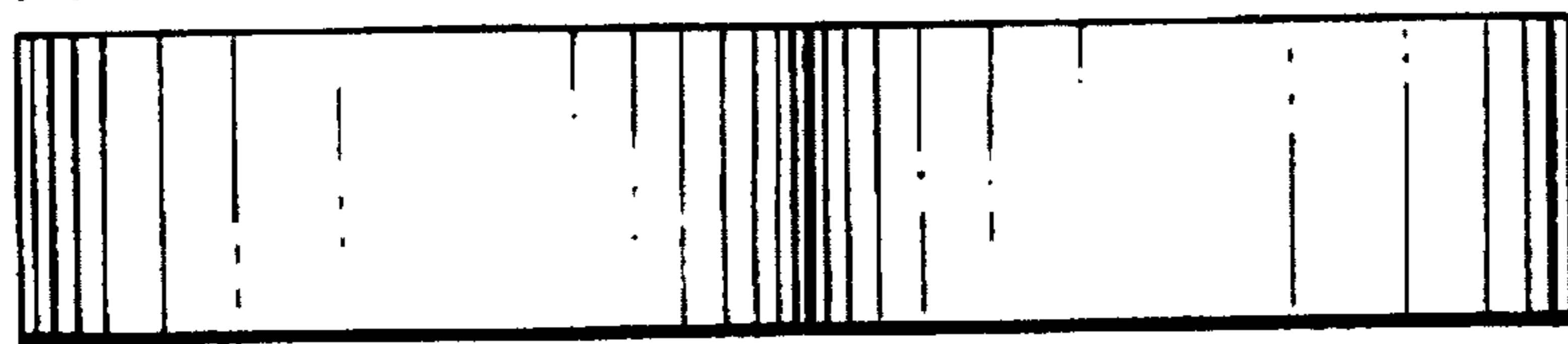


FIG. 12

