



US00D397573S

# United States Patent [19]

Warshawsky

[11] Patent Number: **Des. 397,573**

[45] Date of Patent: **\*\*Sep. 1, 1998**

[54] **TOWEL/SOAP TUMBLER TOOTHBRUSH HOLDER**

[75] Inventor: **Jerome Warshawsky**, Hewlett Harbor, N.Y.

[73] Assignee: **I.W. Industries, Inc.**, Melville, N.Y.

[\*\*] Term: **14 Years**

[21] Appl. No.: **75,130**

[22] Filed: **Aug. 11, 1997**

[51] LOC (6) Cl. .... **06-02**

[52] U.S. Cl. .... **D6/527**

[58] Field of Search ..... D6/527, 528, 529-533, D6/515, 518, 519, 520, 521, 522, 523, 546-550; 211/13.01, 88.01, 68, 85.23, 85.17, 65, 96; 248/282.1, 309.1, 311.2, 360

[56] **References Cited**

**U.S. PATENT DOCUMENTS**

D. 69,281 1/1926 Nelson ..... D6/532

D. 160,484	10/1950	De Mark	.....	D6/529
D. 358,070	5/1995	Sharpe	.....	D6/531
613,231	11/1898	Bennett	.....	211/88.01
1,095,448	5/1914	Bongiovanni	.....	211/88.01
1,551,434	8/1925	Shiffer	.....	D6/529 X

*Primary Examiner*—Pamela J. Burgess  
*Attorney, Agent, or Firm*—Alfred M. Walker

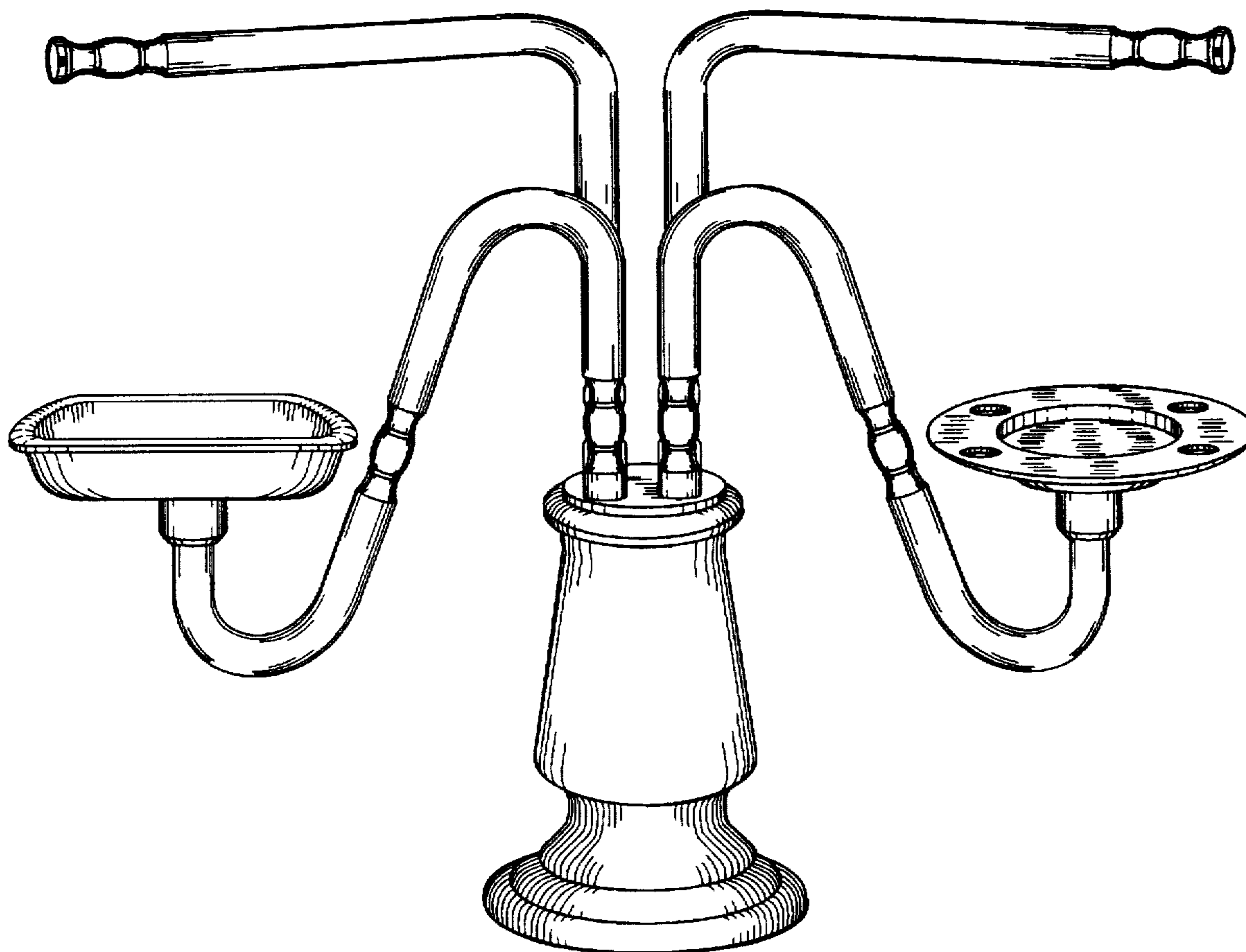
[57] **CLAIM**

The ornamental design for a towel/soap tumbler toothbrush holder, as shown and described.

**DESCRIPTION**

FIG. 1 is a perspective view of a towel/soap tumbler toothbrush holder, showing my new design;  
FIG. 2 is a front elevational view thereof;  
FIG. 3 is a rear view thereof;  
FIG. 4 is a right side elevational view thereof;  
FIG. 5 is a left side elevational view thereof;  
FIG. 6 is a top plan view thereof; and,  
FIG. 7 is a bottom view thereof.

**1 Claim, 5 Drawing Sheets**



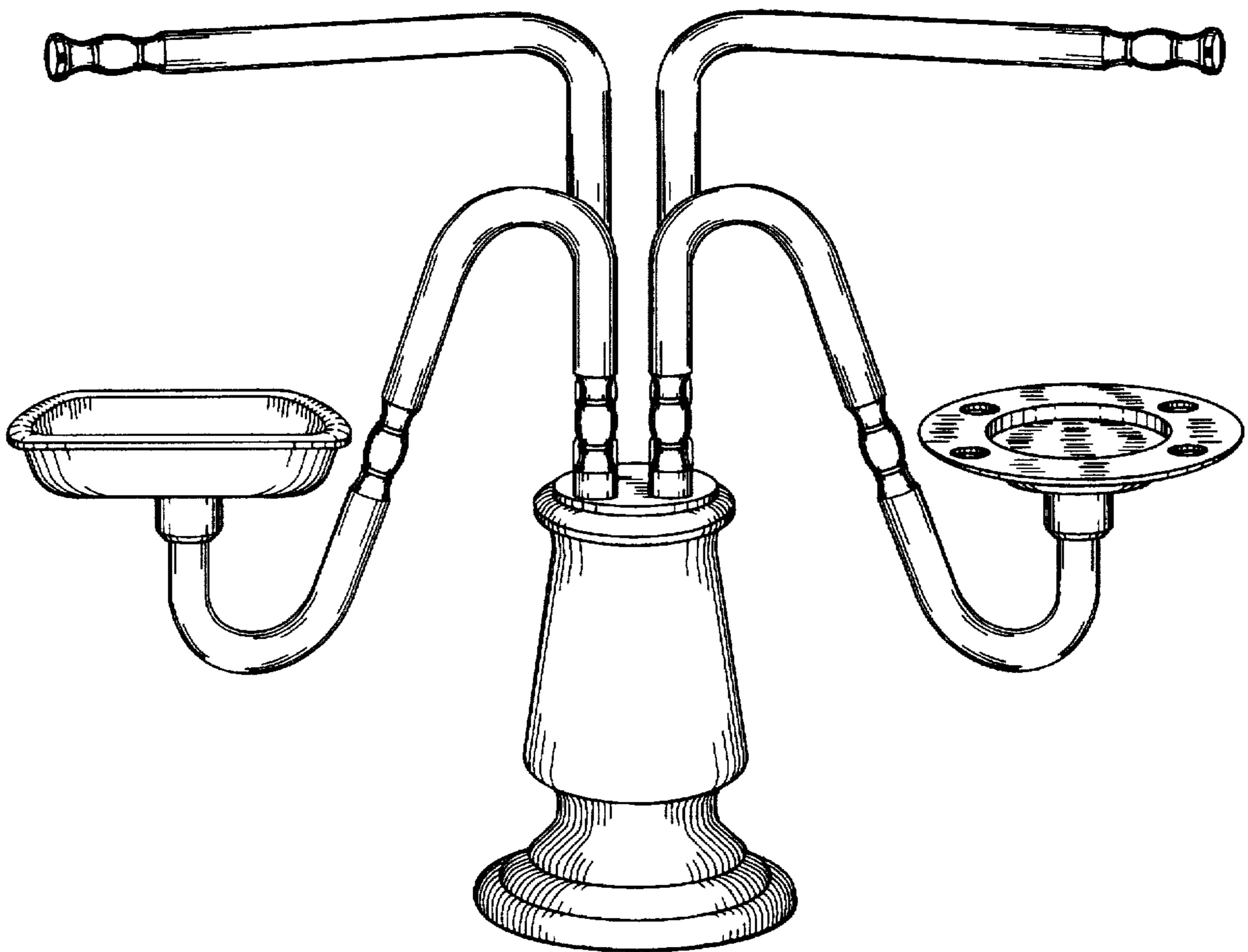


FIG. 1

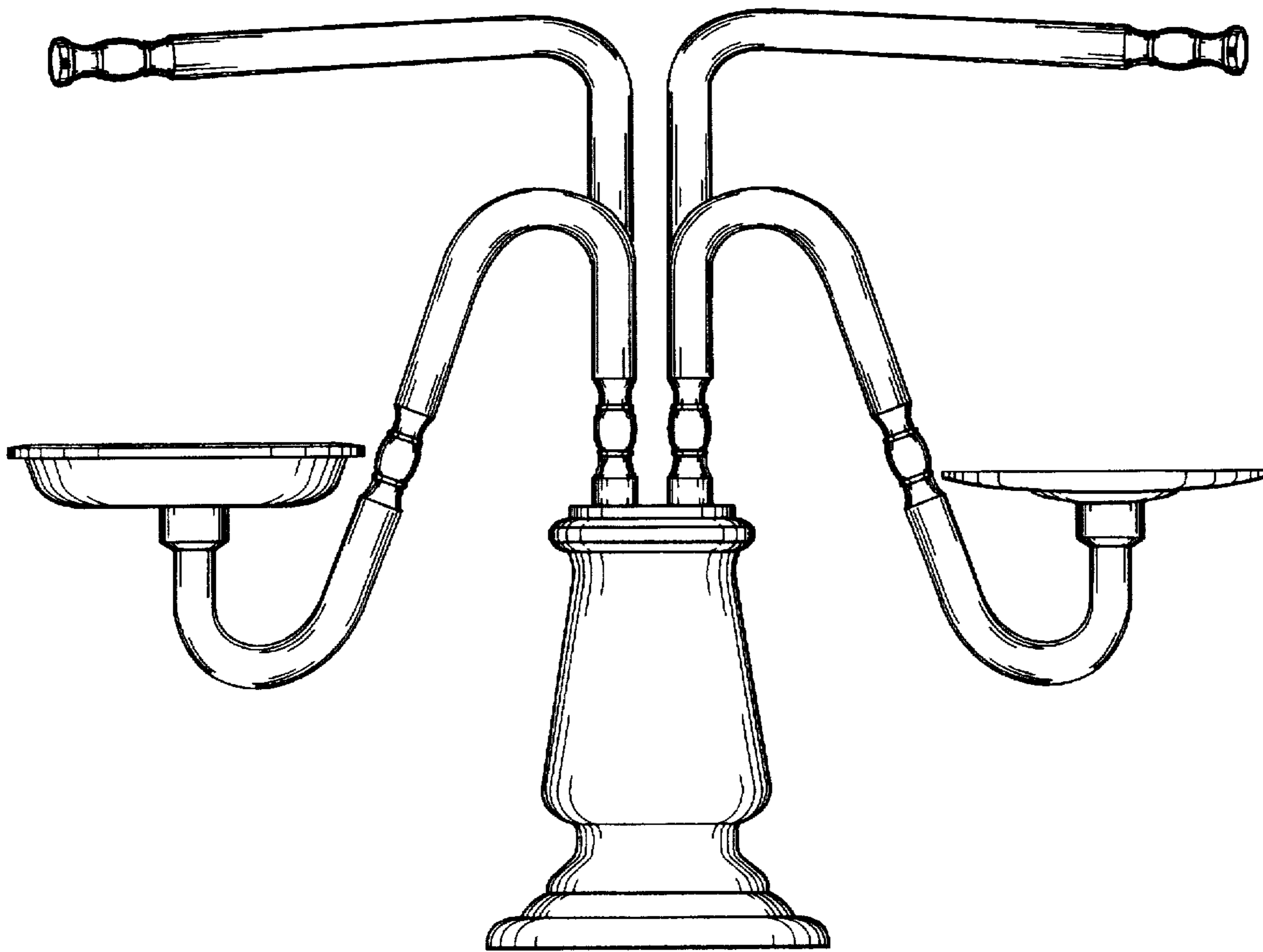


FIG. 2

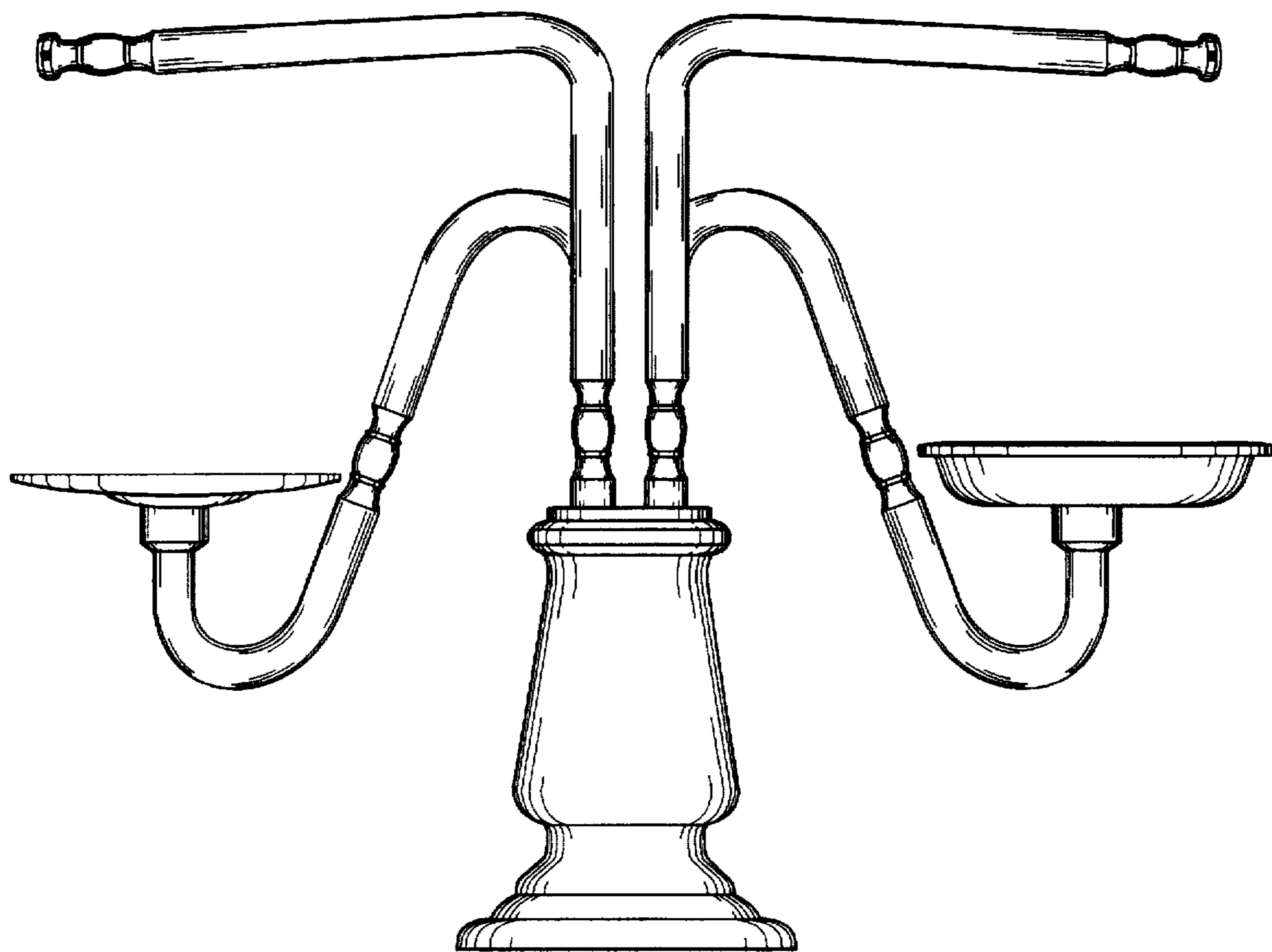


FIG. 3

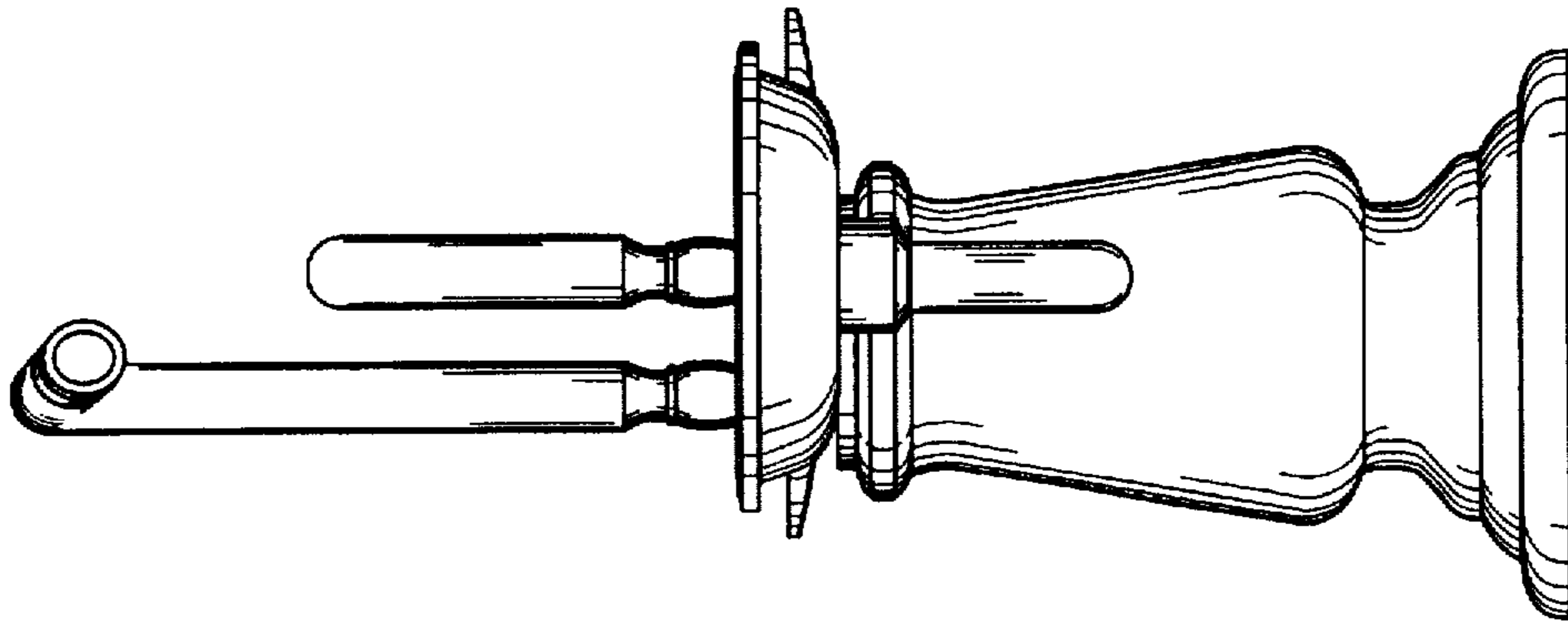


FIG. 5

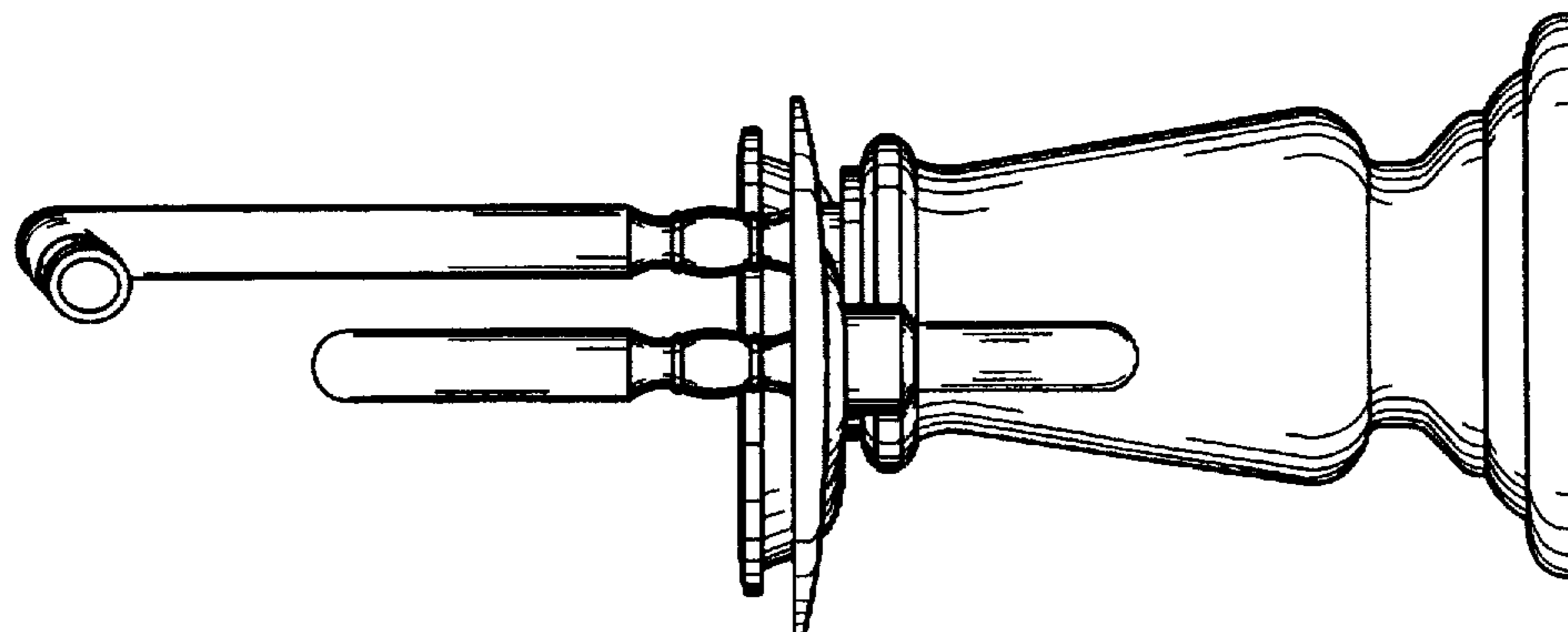


FIG. 4

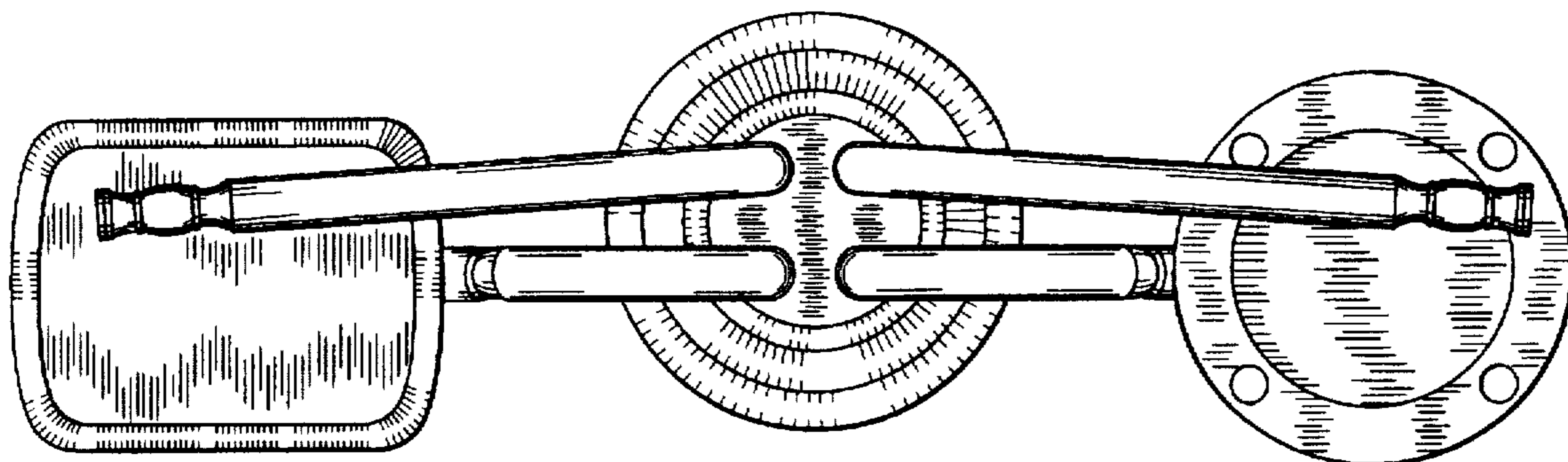


FIG. 6

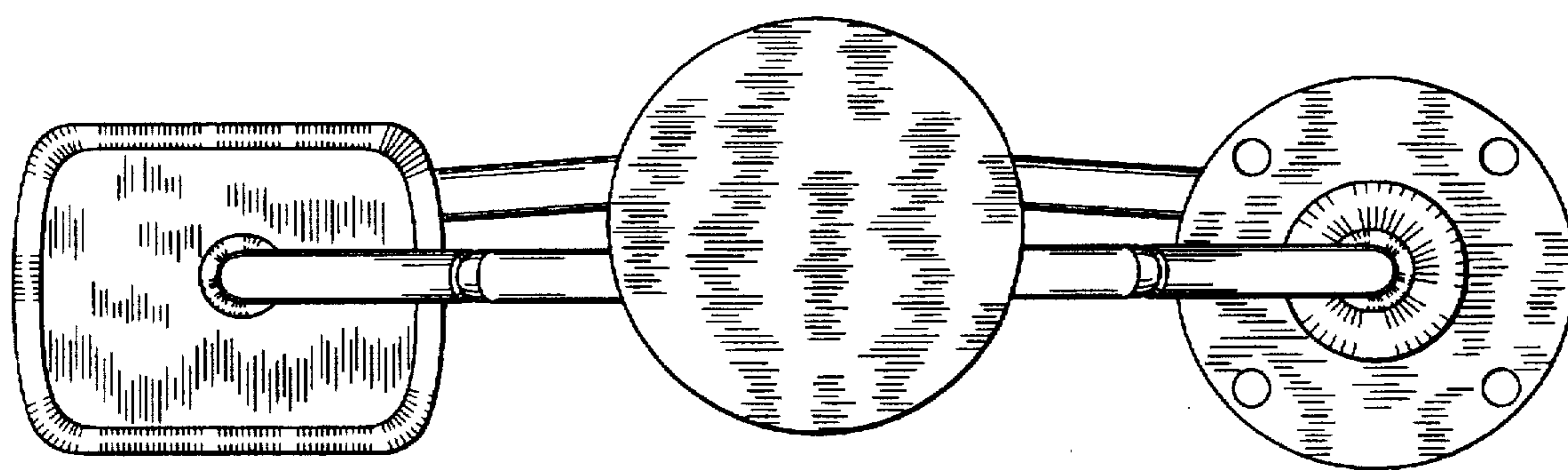


FIG. 7