



US00D397568S

# United States Patent [19]

Jonas

[11] Patent Number: **Des. 397,568**

[45] Date of Patent: **\*\*Sep. 1, 1998**

[54] **COMBINATION DECORATIVE SHOWER CURTAIN RING AND TOWEL/CLOTHES CLAMP**

[76] Inventor: **Thomas Brett Jonas**, 11563 Back Massilon Rd., Orrville, Ohio 44667

[\*\*] Term: **14 Years**

[21] Appl. No.: **50,688**

[22] Filed: **Feb. 22, 1996**

[51] LOC (6) Cl. .... **06-02**

[52] U.S. Cl. .... **D6/546; D8/373**

[58] Field of Search ..... D8/367, 371, 373, D8/396, 380; D6/546, 547; D10/32; D11/3, 4; 160/330, 340, 341, 563, 302; 211/113, 162

[56] **References Cited**

**U.S. PATENT DOCUMENTS**

D. 236,323 8/1975 Johnson et al. .... D6/546

D. 296,299 6/1988 Bussell ..... D6/546  
D. 343,085 1/1994 Bell ..... D6/546

*Primary Examiner*—Marcus A. Jackson

[57] **CLAIM**

The ornamental design for combination decorative shower curtain ring and towel/clothes clamp, as shown and described.

**DESCRIPTION**

FIG. 1 is a front elevational view of the combination decorative shower curtain ring and towel/clothes clamp showing my new design;

FIG. 2 is a rear elevational view thereof;

FIG. 3 is a right view thereof;

FIG. 4 is a left view thereof;

FIG. 5 is a top plan view thereof; and,

FIG. 6 is a bottom plan view thereof.

**1 Claim, 3 Drawing Sheets**

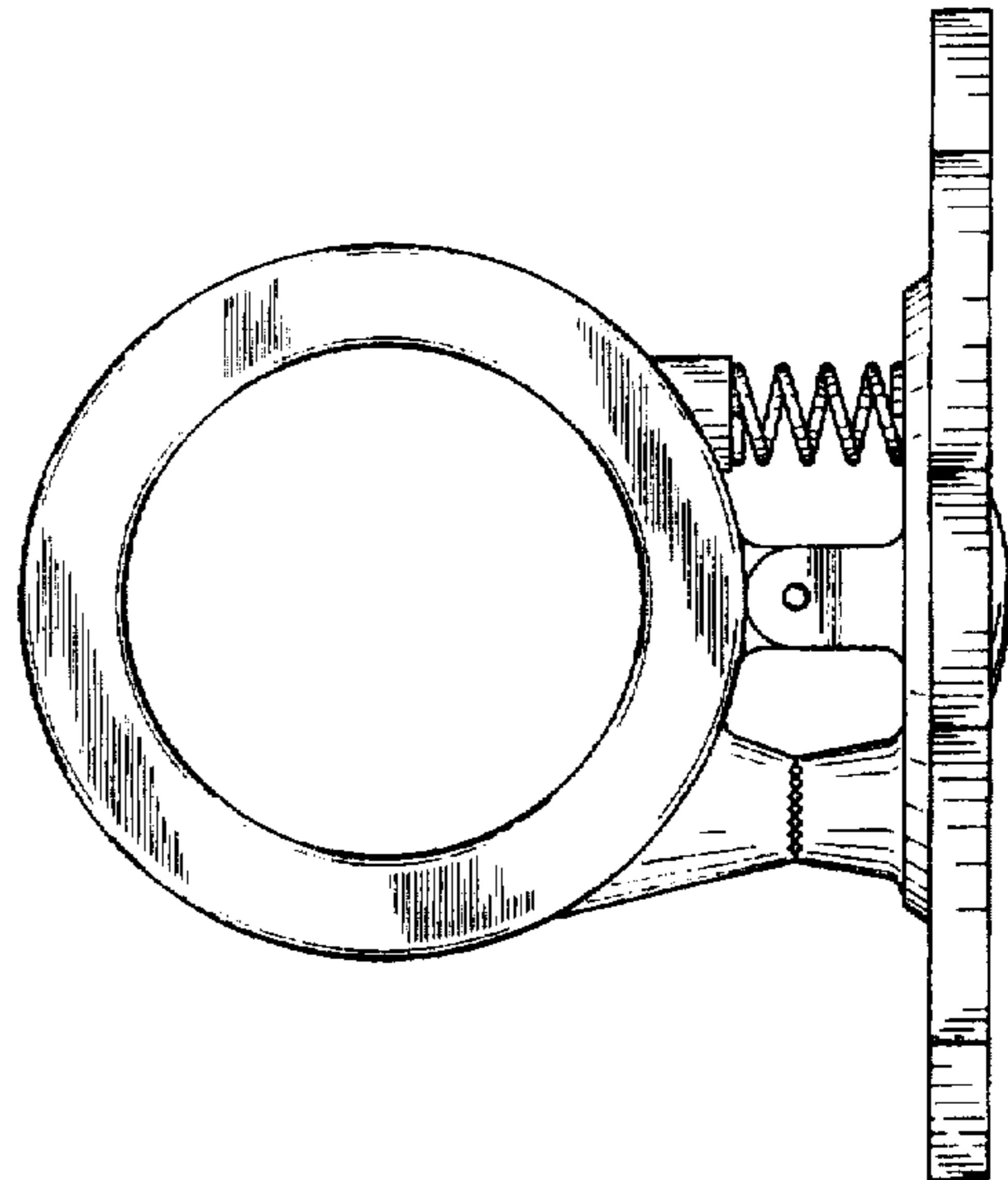
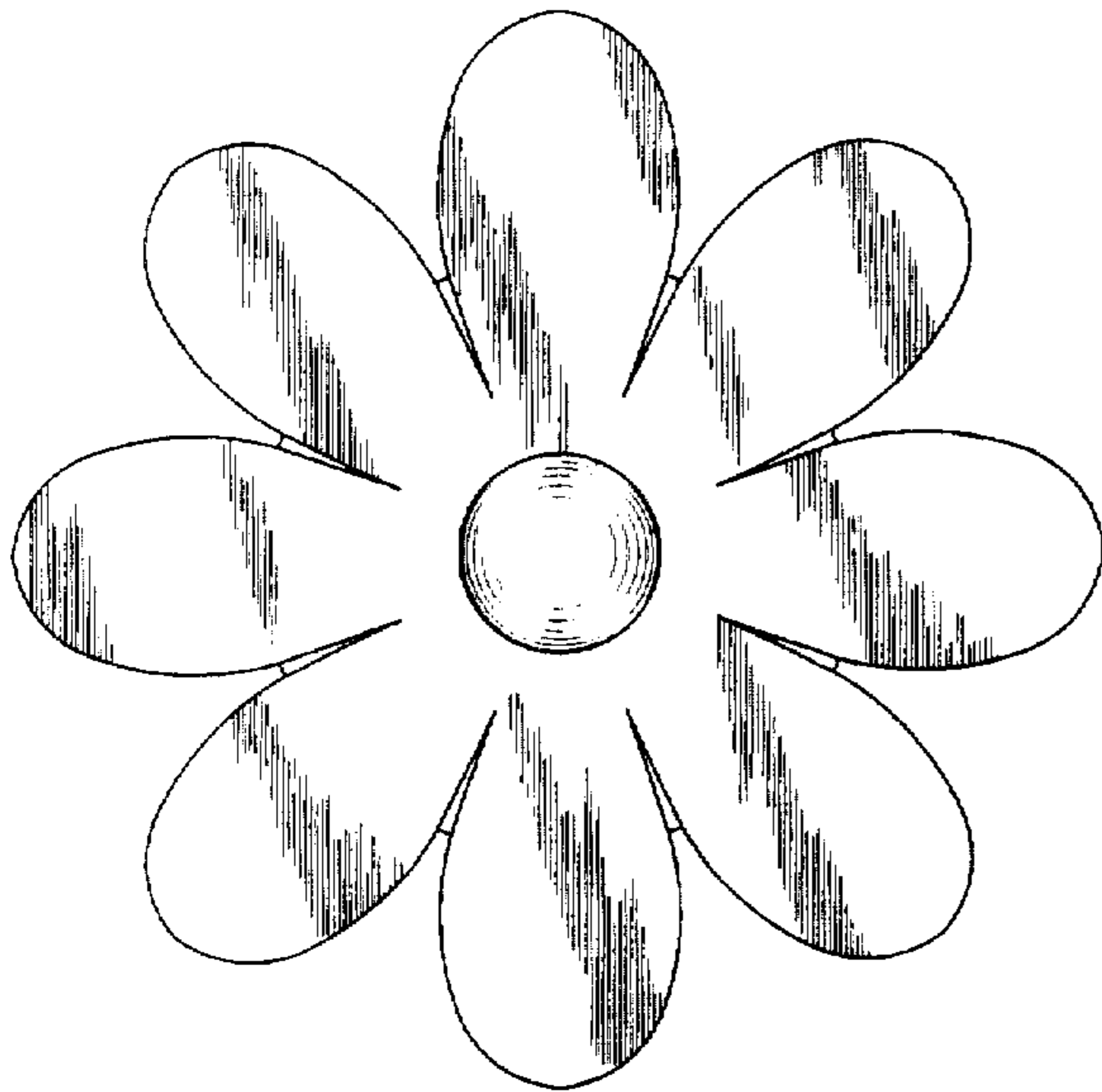


FIG. 1

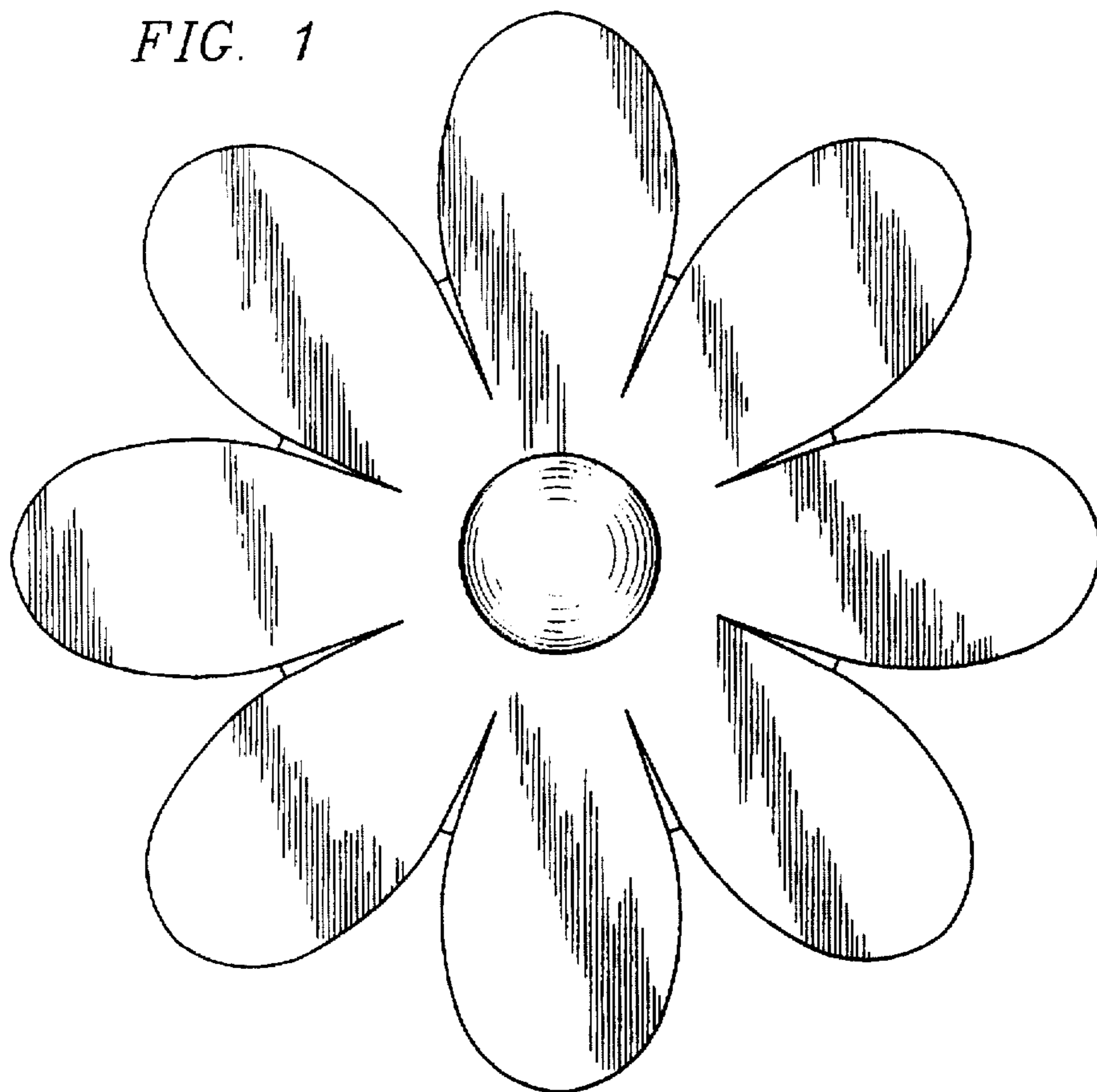


FIG. 2

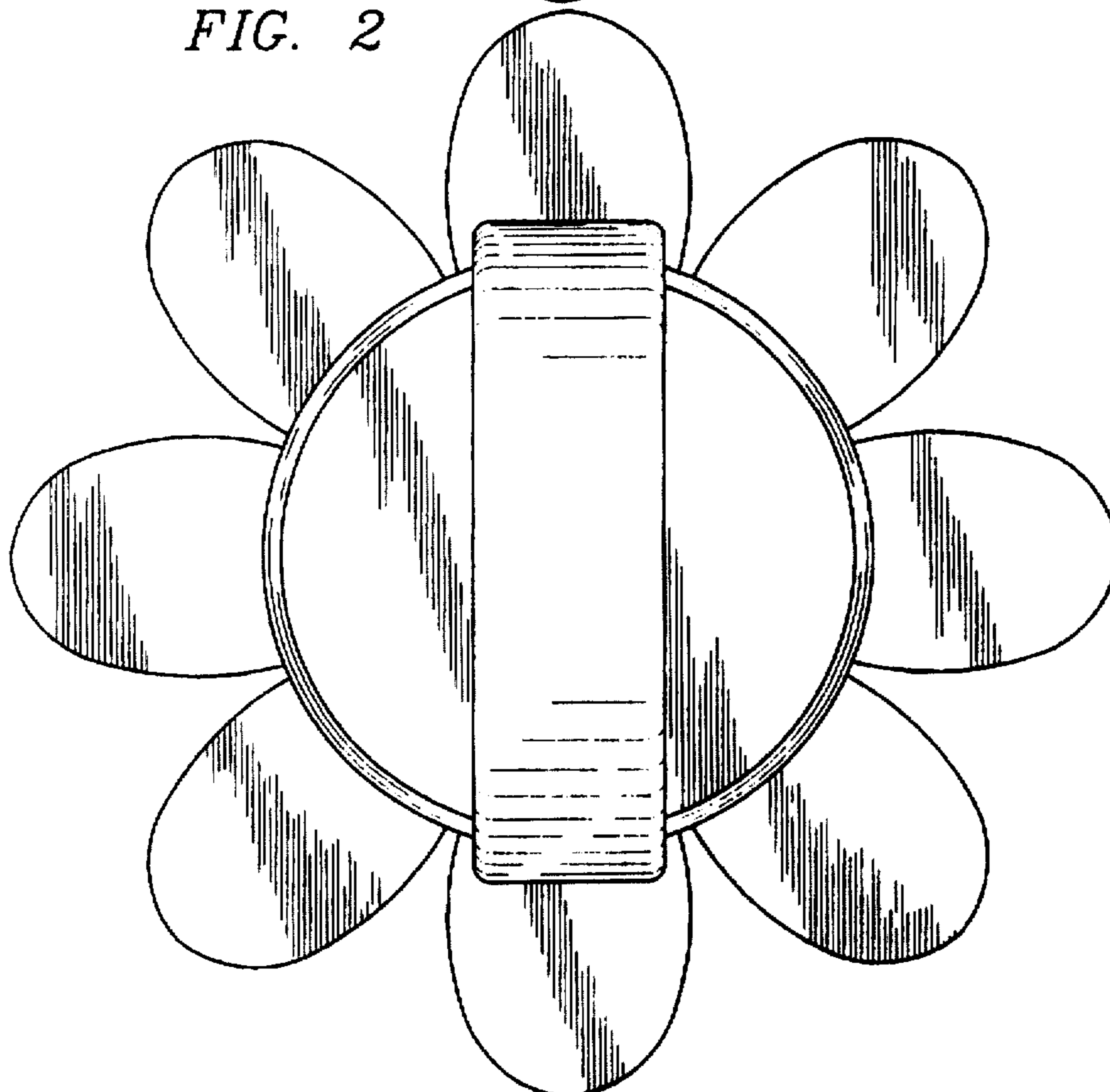


FIG. 3

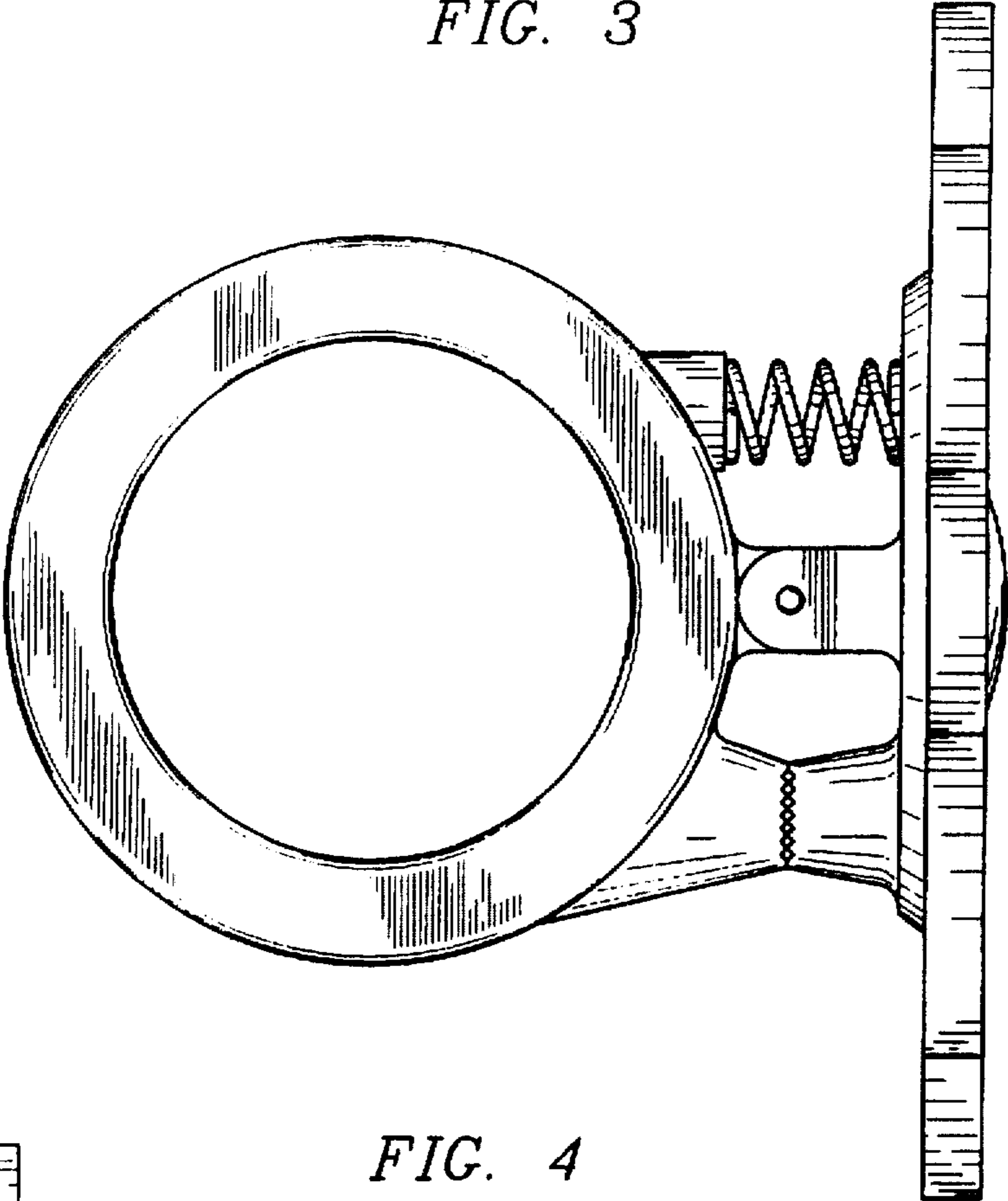


FIG. 4

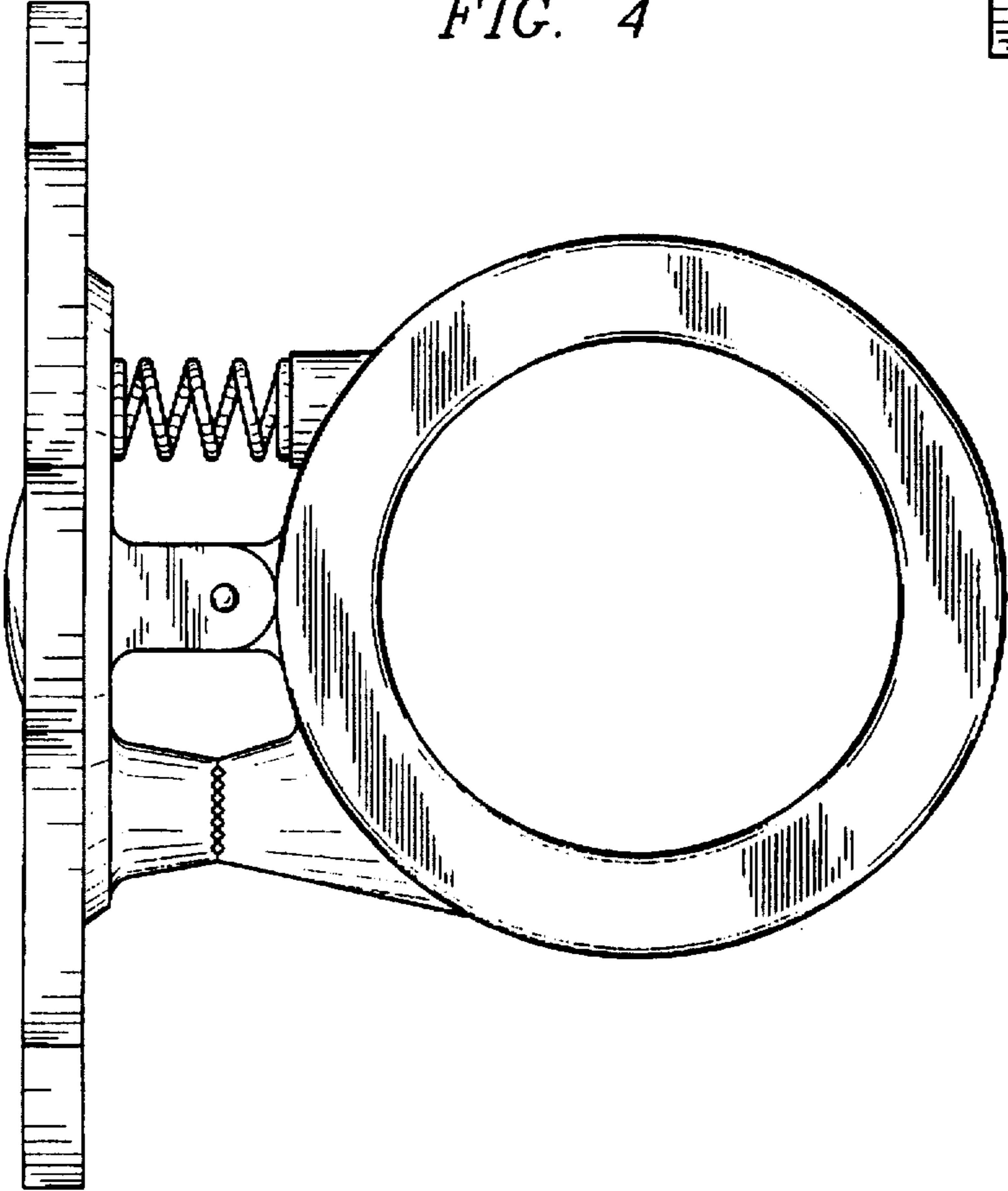


FIG. 5

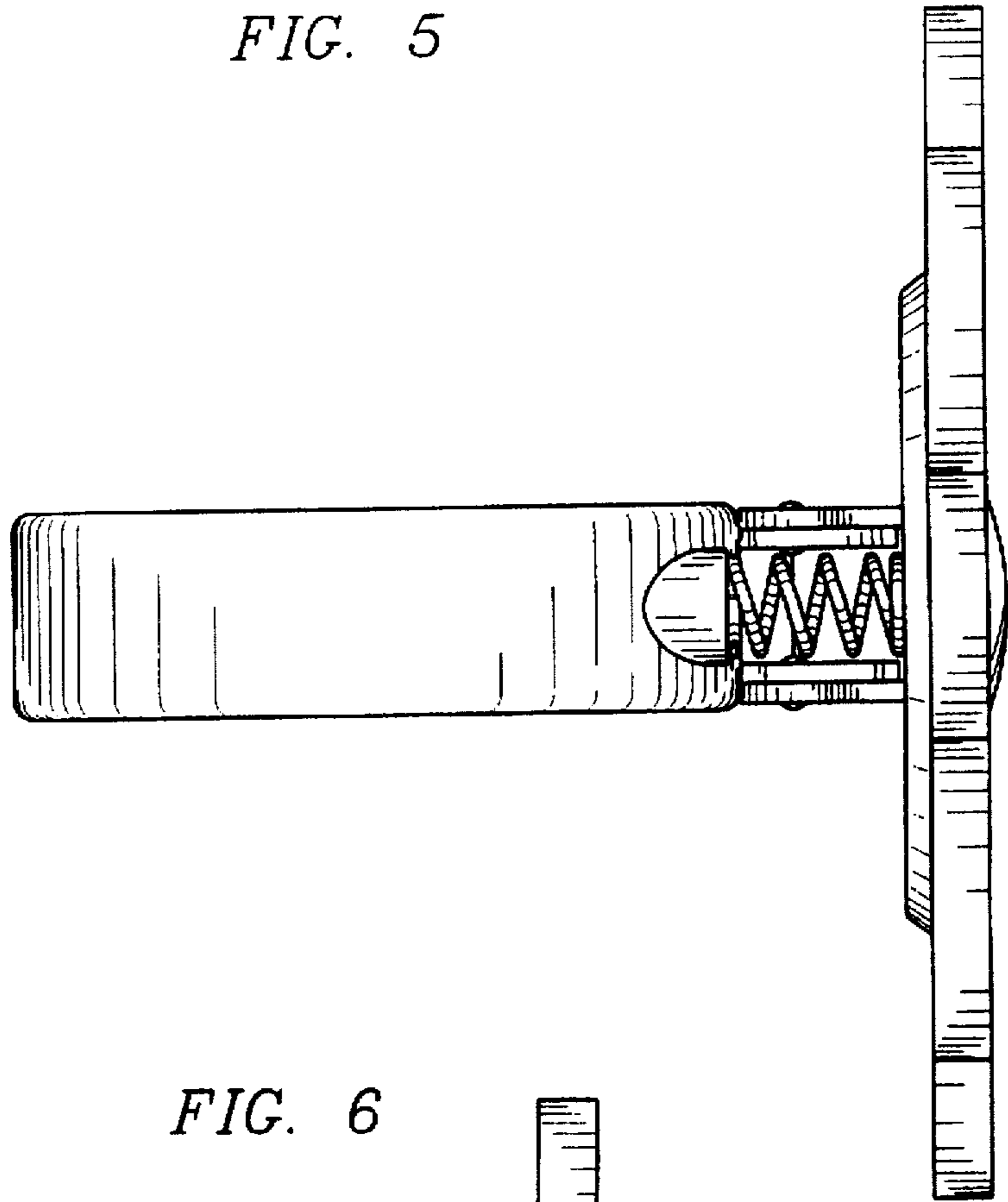


FIG. 6

