



US00D397565S

United States Patent [19]
Klein et al.

[11] **Patent Number:** **Des. 397,565**
[45] **Date of Patent:** ****Sep. 1, 1998**

[54] **OVER THE DOOR SLIDING HOOK**
[75] **Inventors:** **Richard B. Klein**, Overland Park;
Chris Serslev, Leawood; **Farid Nedjam**, Lawrence, all of Kans.
[73] **Assignee:** **Lynk, Inc.**, Lenexa, Kans.
[**] **Term:** **14 Years**
[21] **Appl. No.:** **75,439**
[22] **Filed:** **Aug. 20, 1997**
[51] **LOC (6) Cl.** **08-08**
[52] **U.S. Cl.** **D6/513**
[58] **Field of Search** **D6/512, 513, 553,**
D6/567, 571, 569; 211/13, 16, 86-87, 123,
181.1

2,506,844 5/1950 Smith .
2,620,929 12/1952 Sportsman .
2,682,955 7/1954 Moore .
3,171,542 3/1965 Jacobs et al. .
3,391,793 7/1968 Streuli .
3,468,426 9/1969 Loewy .
3,637,084 1/1972 Uitz .
3,695,190 10/1972 Bucholz .
3,888,353 6/1975 Leifheit .
3,913,745 10/1975 Weiss .
3,974,917 8/1976 Waxamanski .
3,999,734 12/1976 Gibson et al. .
4,094,030 6/1978 Saad .
4,209,098 6/1980 Adams .
4,245,746 1/1981 Aylor .
4,383,722 5/1983 Weber .
4,457,436 7/1984 Kelley .
4,607,753 8/1986 Radek .
4,657,148 4/1987 Heng .
4,673,092 6/1987 Lamson et al. .
4,678,151 7/1987 Radek .
4,688,681 8/1987 Bergeron .
4,688,687 8/1987 Pryor .

[56] **References Cited**

U.S. PATENT DOCUMENTS

D. 85,502 11/1931 Wilhelm .
D. 287,550 1/1987 Tucci .
D. 308,608 6/1990 Arnold .
D. 324,787 3/1992 Evans .
D. 341,500 11/1993 Klein et al. .
D. 354,412 1/1995 Emery .
D. 377,728 2/1997 Klein et al. .
D. 382,434 8/1997 Klein et al. .
632,409 9/1899 Hallowell .
709,669 5/1902 Winship .
873,496 12/1907 Bryant .
953,130 3/1910 Fellows .
1,377,444 5/1921 Shoemaker .
1,674,359 6/1928 Frey .
1,733,487 10/1929 Hackley .
1,769,344 7/1930 Hoffmire .
1,927,997 9/1933 Weston .
2,008,748 7/1935 Crow .
2,067,095 1/1937 Pease .
2,090,108 8/1937 Cicero .
2,137,029 11/1938 Scholl .
2,152,192 3/1939 Hoffman .
2,238,884 4/1941 Hoffman .
2,276,141 3/1942 Atkinson .
2,299,021 10/1942 Hoffman .
2,504,910 4/1950 Wellington .

(List continued on next page.)

FOREIGN PATENT DOCUMENTS

530454 7/1954 Belgium .
1462095 12/1965 France .
182925 3/1936 Switzerland .
421425 9/1966 Switzerland .

Primary Examiner—Brian N. Vinson
Attorney, Agent, or Firm—Shook, Hardy & Bacon LLP

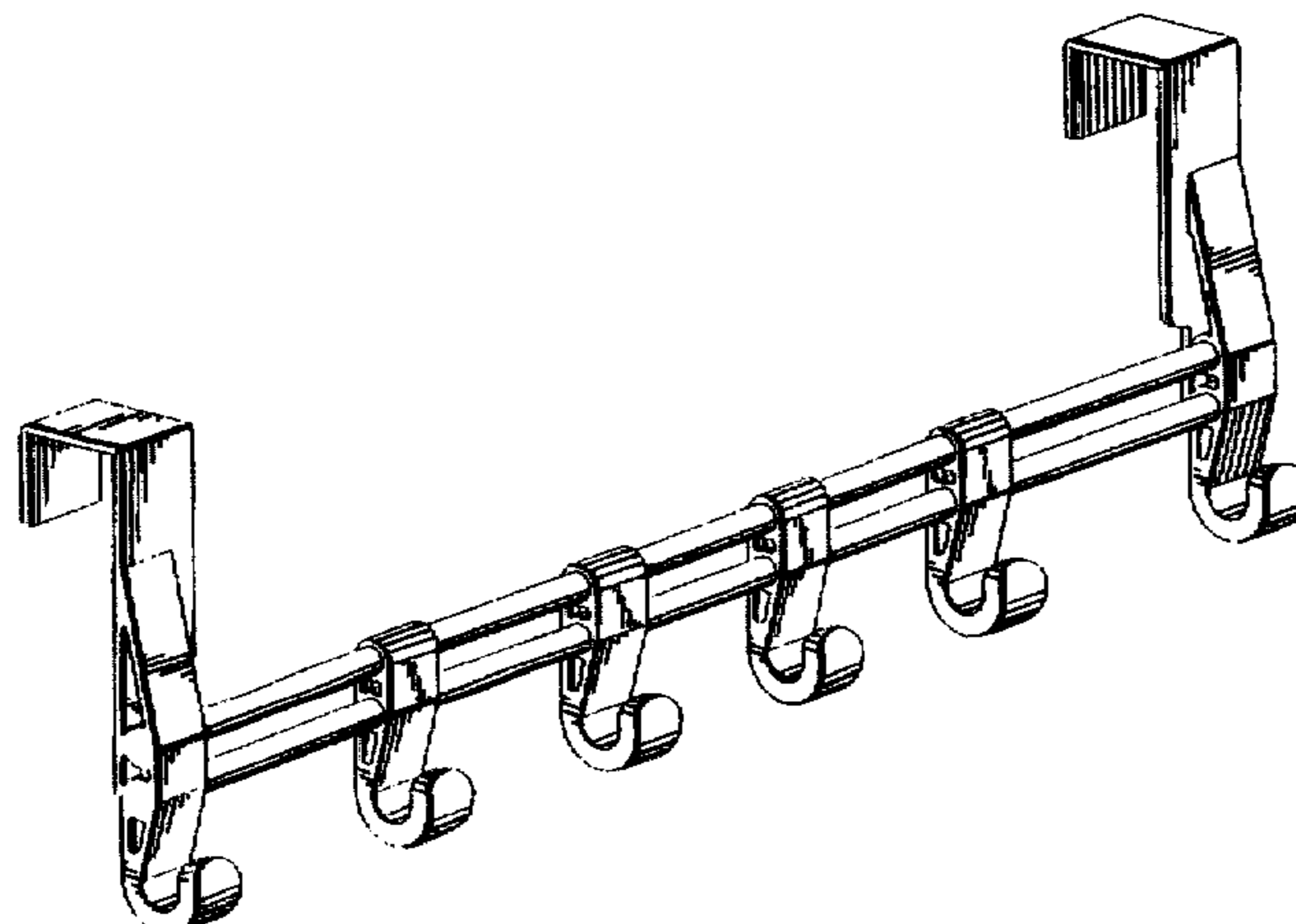
[57] **CLAIM**

The ornamental design for an over the door sliding hook, as shown and described.

DESCRIPTION

FIG. 1 is a perspective view of an over the door sliding hook according to the present invention;
FIG. 2 is a front elevational view thereof;
FIG. 3 is a right side view of FIG. 2;
FIG. 4 is a top plan view thereof;
FIG. 5 is a bottom plan view thereof; and,
FIG. 6 is a rear elevational view thereof.

1 Claim, 2 Drawing Sheets



U.S. PATENT DOCUMENTS

4,711,419	12/1987	Polosky .	5,054,629	10/1991	Breen .
4,819,814	4/1989	Fogelgren .	5,082,125	1/1992	Ninni .
4,825,601	5/1989	Halverson .	5,097,968	3/1992	Gregory .
4,899,971	2/1990	Elkin .	5,101,986	4/1992	Holztrager .
4,940,150	7/1990	Spengler .	5,101,989	4/1992	Jones .
4,942,498	7/1990	Toussaint .	5,152,407	10/1992	Massoudnia et al. .
5,035,332	7/1991	Stravitz .	5,172,816	12/1992	Kline et al. .
5,048,698	9/1991	Konrad .	5,415,297	5/1995	Klein et al. .
			5,617,959	4/1997	Klein et al. .

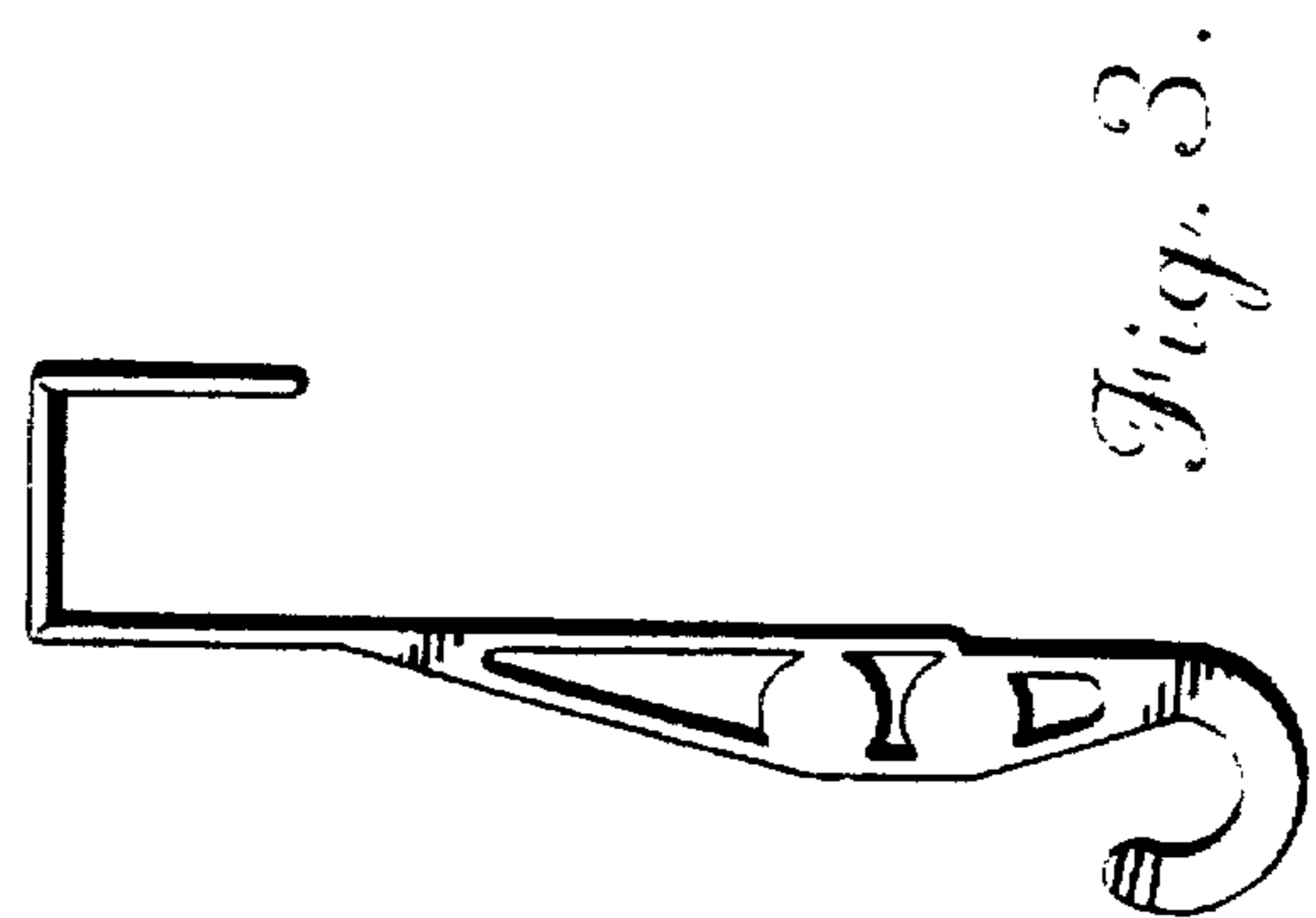
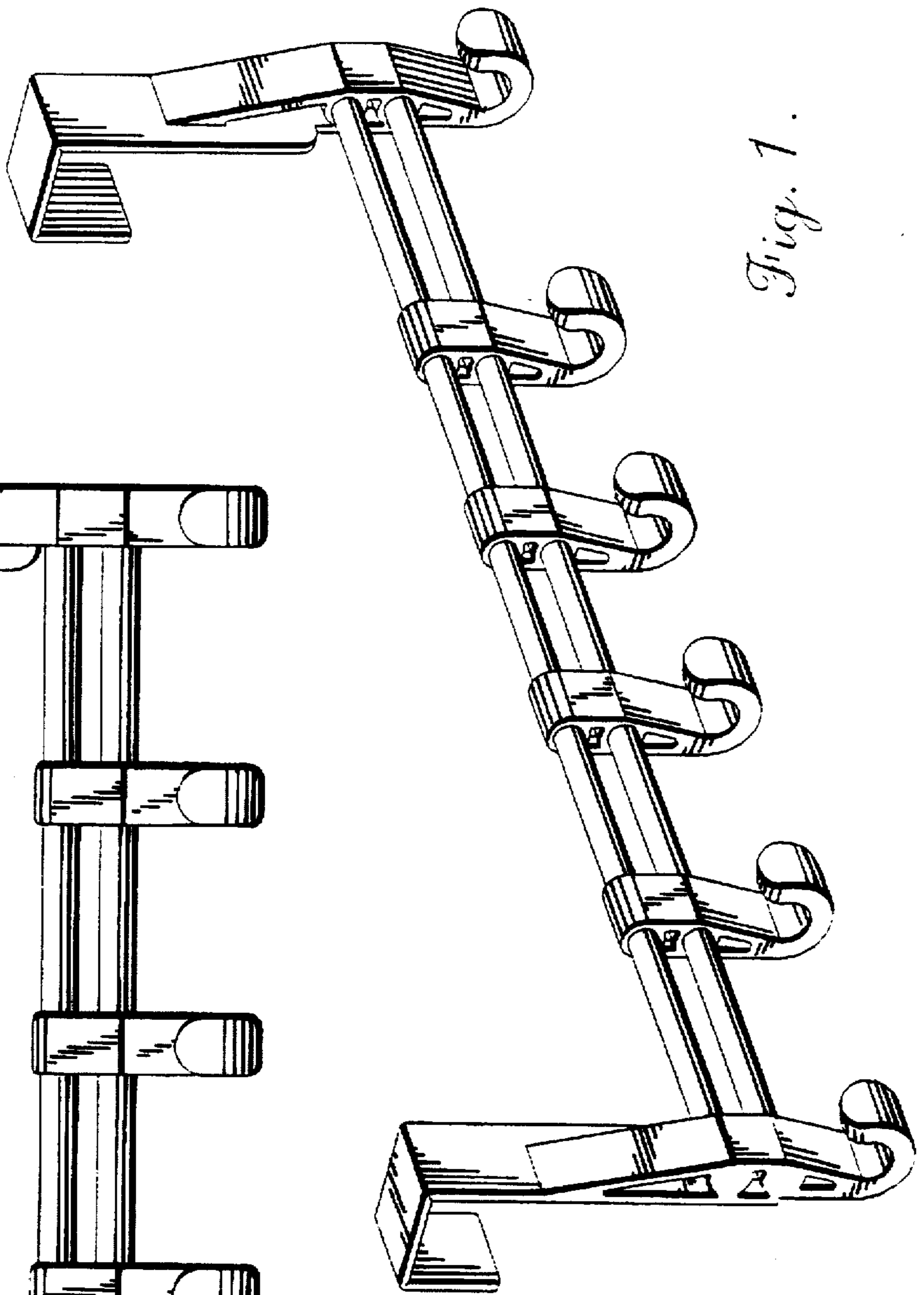
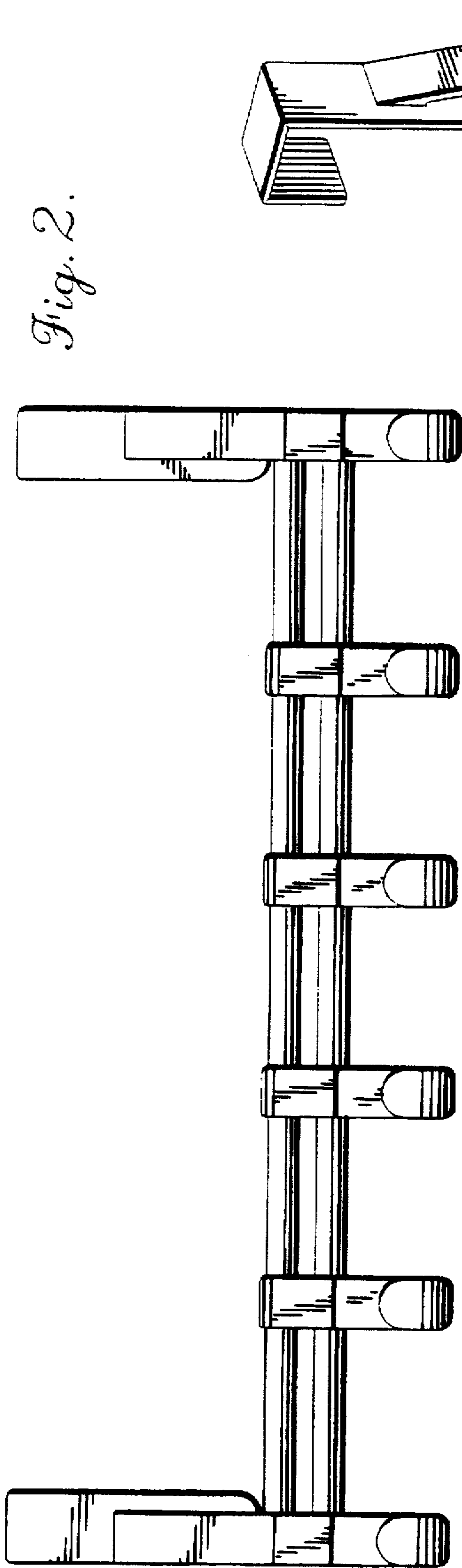


Fig. 4.

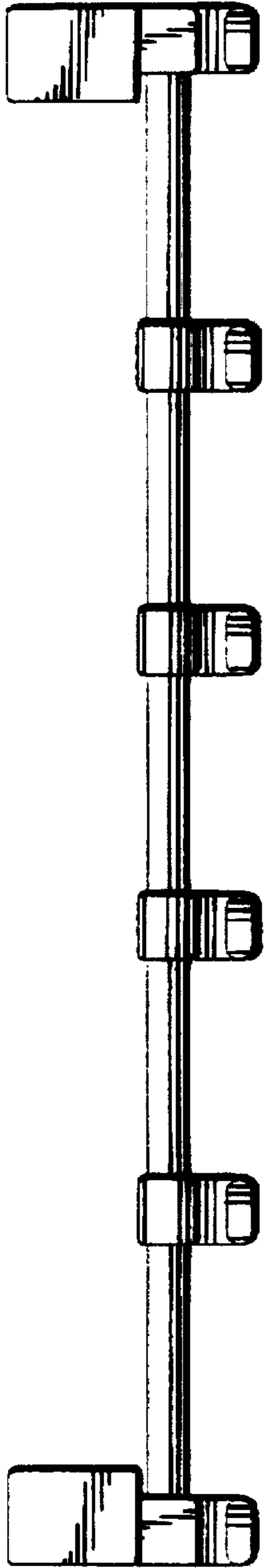


Fig. 5.

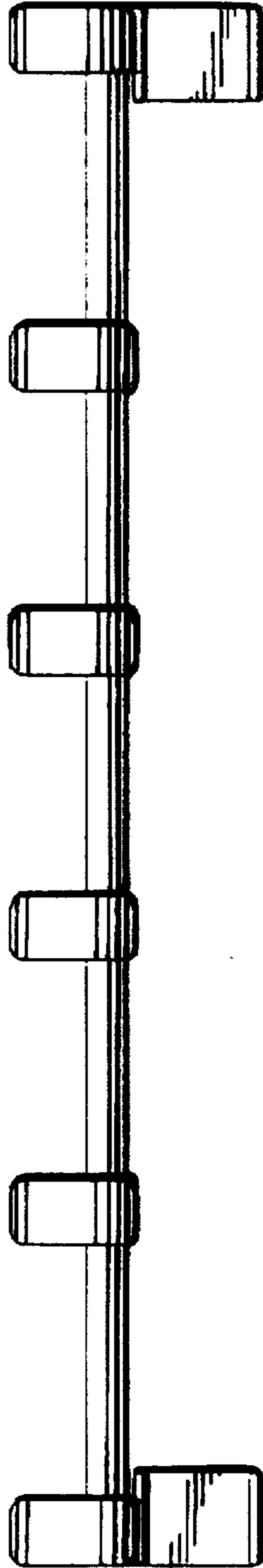


Fig. 6.

