



US00D397559S

United States Patent [19]

Zaidman

[11] Patent Number: **Des. 397,559**

[45] Date of Patent: ****Sep. 1, 1998**

[54] **DRESSER**

[75] Inventor: **Paul Zaidman**, Winnipeg, Canada

[73] Assignee: **Palliser Furniture Ltd.**, Winnipeg, Canada

[**] Term: **14 Years**

[21] Appl. No.: **66,333**

[22] Filed: **Mar. 10, 1997**

[51] LOC (6) Cl. **06-04**

[52] U.S. Cl. **D6/446**

[58] Field of Search D6/432, 436, 440, D6/444-448; 312/204, 257.1, 198, 199

[56] **References Cited**

U.S. PATENT DOCUMENTS

- D. 198,320 6/1964 Smith, Jr. D6/446
- D. 252,723 8/1979 Keller D6/446

- D. 259,686 6/1981 West D6/446
- D. 263,265 3/1982 Henley, Jr. D6/446
- D. 270,408 9/1983 Woudstra D6/446
- D. 276,674 12/1984 Gwathmey et al. D6/446
- D. 357,371 4/1995 Keller D6/446

Primary Examiner—James Gandy
Assistant Examiner—Linda Brooks
Attorney, Agent, or Firm—Pollock, Vande Sande & Priddy

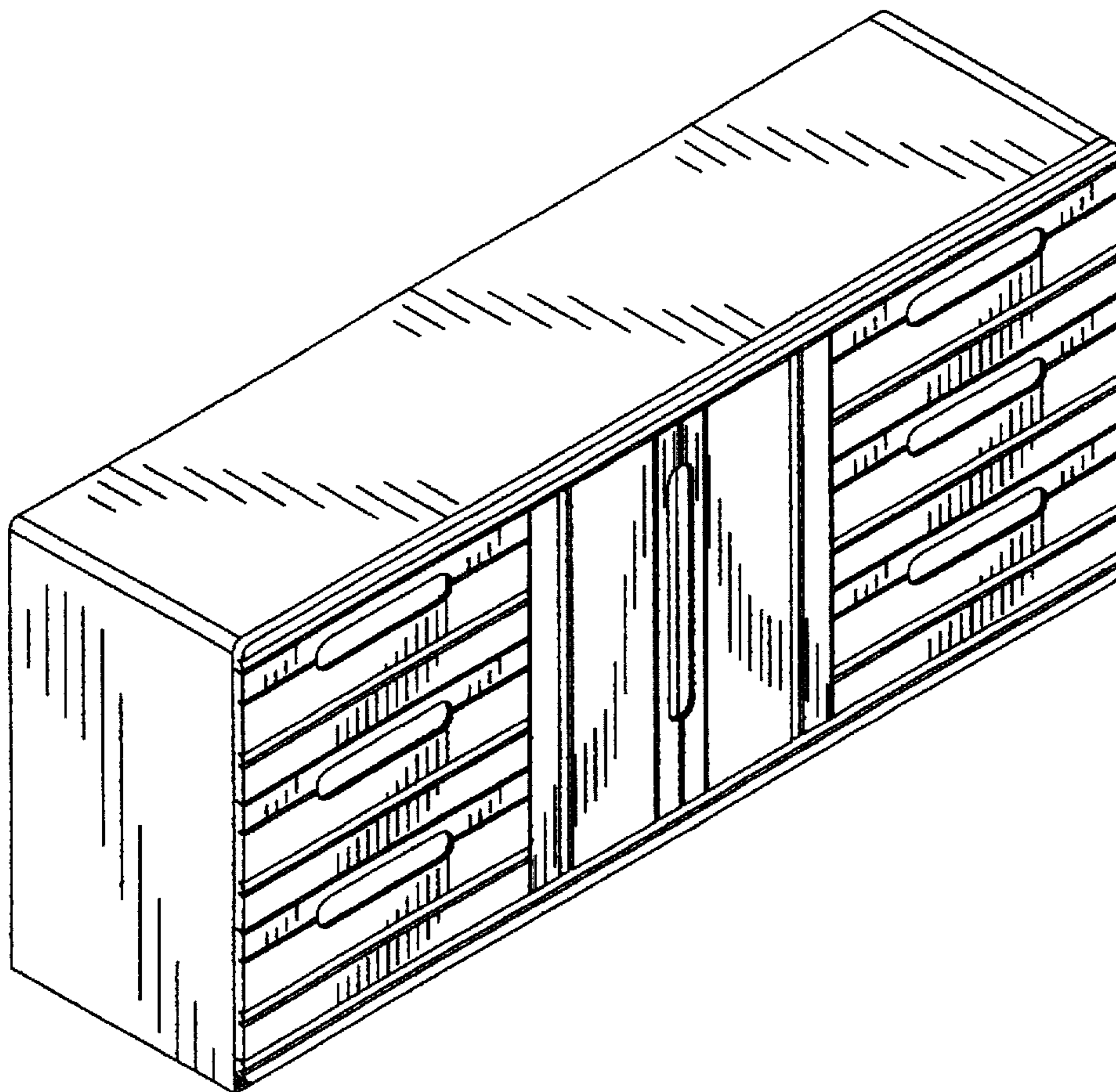
[57] **CLAIM**

The ornamental design for a dresser, as shown and described.

DESCRIPTION

FIG. 1 is a top view of a dresser showing my new design; FIG. 2 is a front view thereof; FIG. 3 is a left side view thereof, the right side view being a mirror image thereof; and, FIG. 4 is a right front top perspective view thereof.

1 Claim, 2 Drawing Sheets



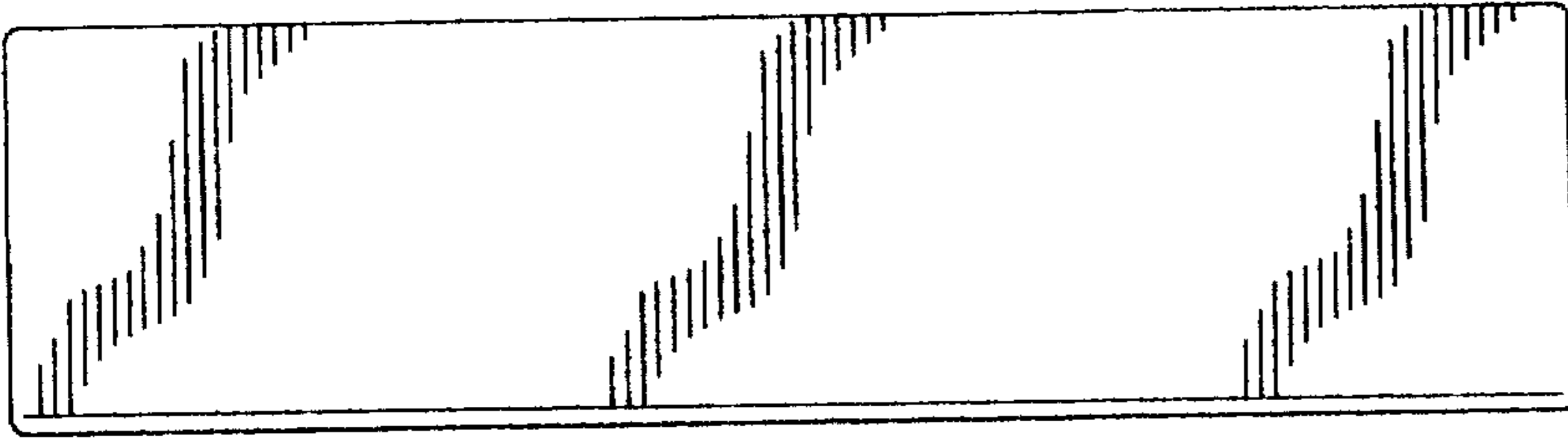


FIG. 1

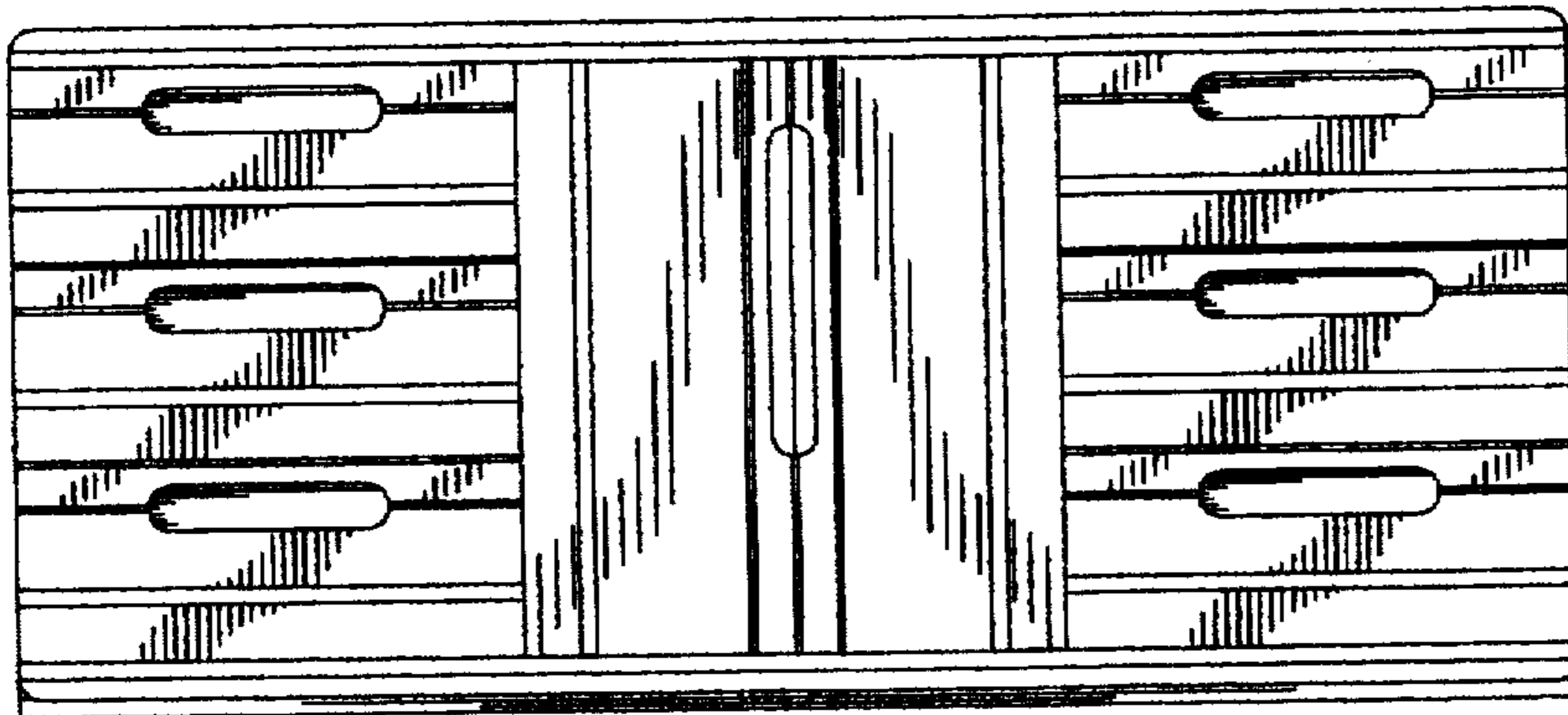


FIG. 2

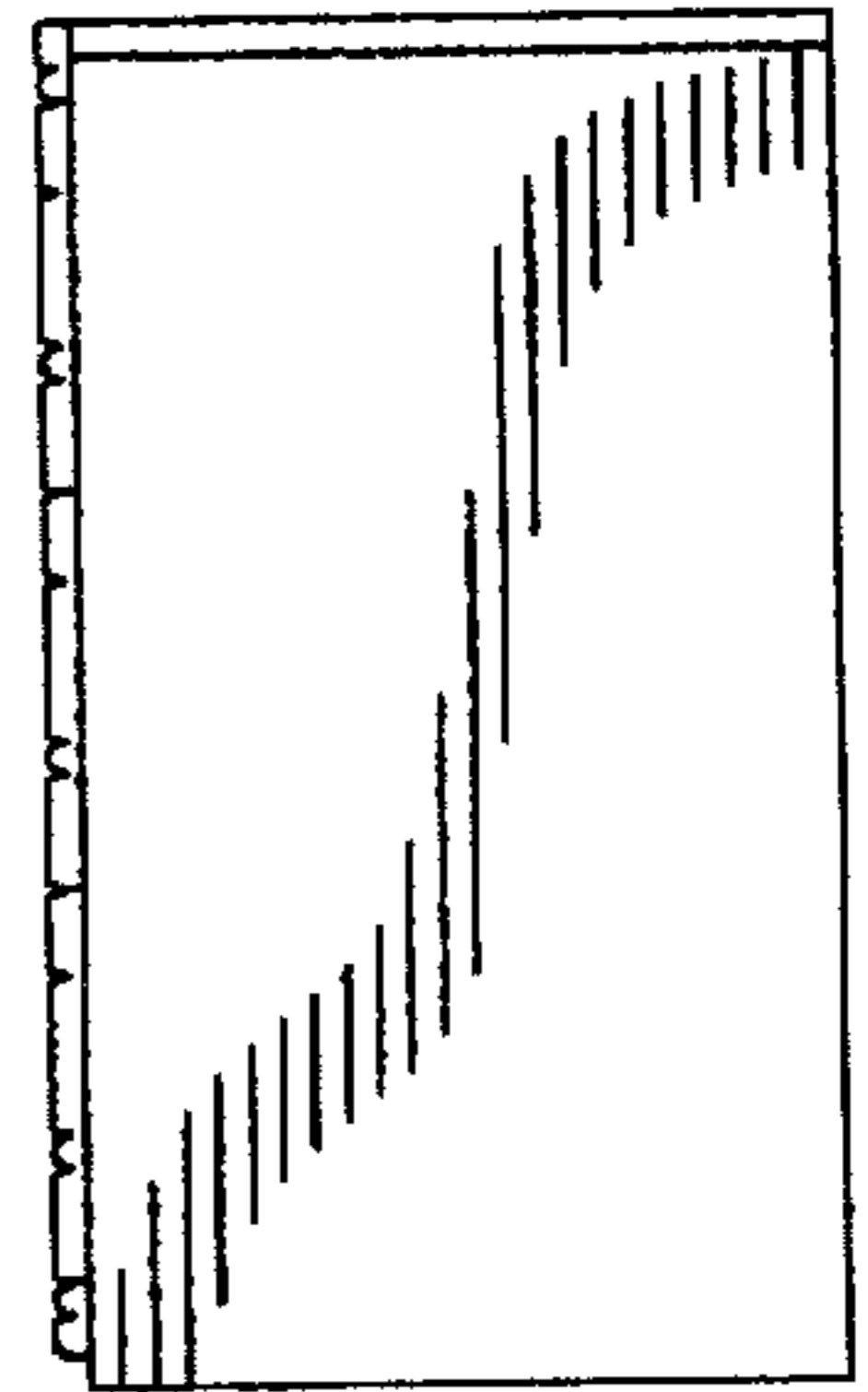


FIG. 3

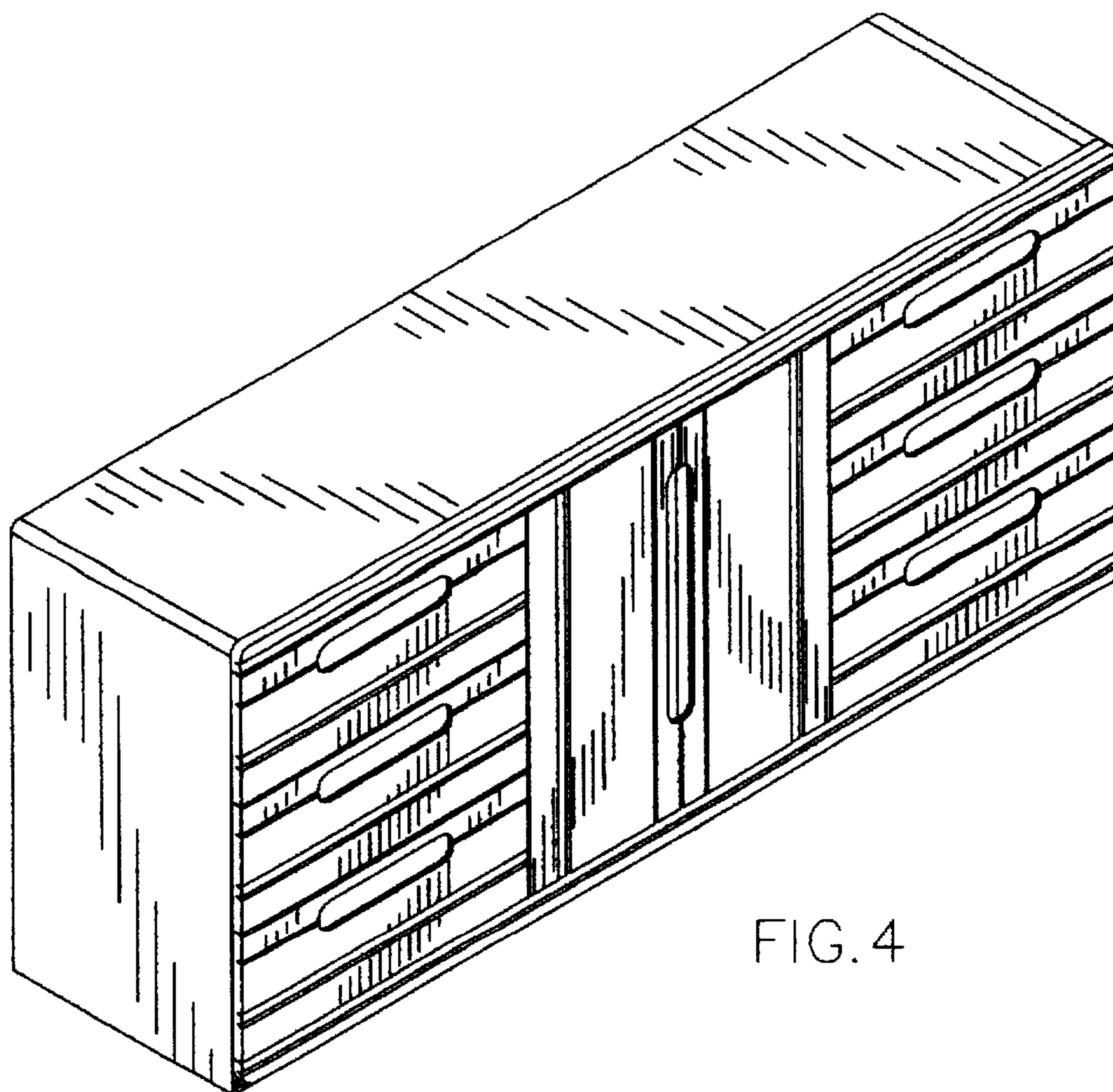


FIG. 4