



US00D397556S

# United States Patent [19]

Yisrael

[11] Patent Number: **Des. 397,556**

[45] Date of Patent: **\*\*Sep. 1, 1998**

[54] **NOVELTY MIRROR**

D. 370,785 6/1996 Lewis ..... D6/300  
2,185,866 1/1940 Paige ..... D6/309

[76] Inventor: **Miykayah Yisrael**, 6720 S. Jeffery St.,  
Apt. #608, Chicago, Ill. 60649

*Primary Examiner*—Janice E. Seeger

[\*\*] Term: **14 Years**

### [57] CLAIM

[21] Appl. No.: **75,704**

The ornamental design for a novelty mirror, as shown and described.

[22] Filed: **Aug. 22, 1997**

### DESCRIPTION

[51] LOC (6) Cl. .... **06-07**

FIG. 1 is a front elevational view of the novelty mirror showing my new design;

[52] U.S. Cl. .... **D6/309; D6/300**

FIG. 2 is a rear elevational view thereof;

[58] Field of Search ..... D6/300-303, 308-314;  
D20/10, 40, 700, 711, 714-716, 721-724,  
757, 765, 766, 798; 359/870, 871, 872

FIG. 3 is a right side view thereof;

FIG. 4 is a left side view thereof;

FIG. 5 is a top plan view thereof; and,

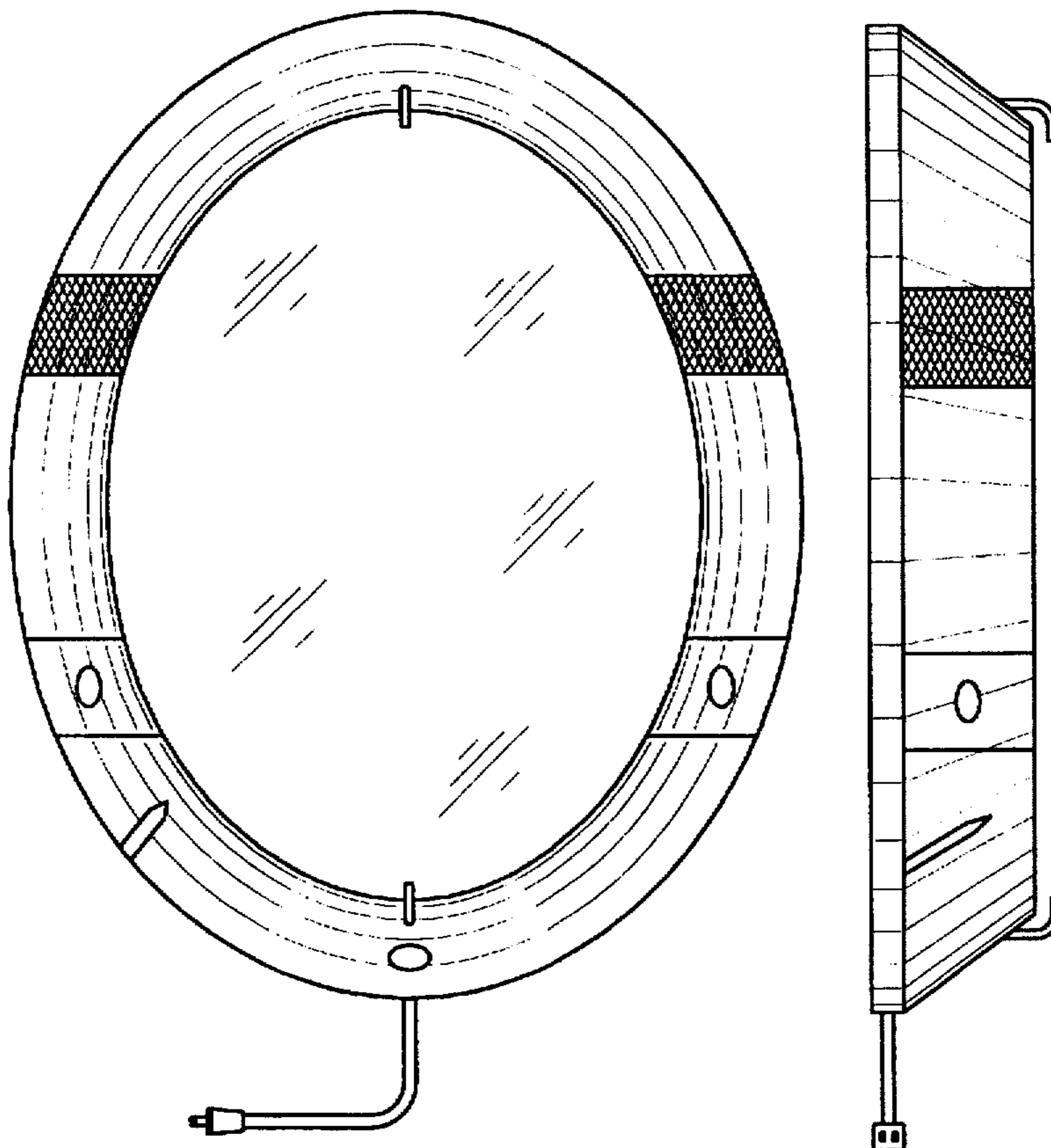
FIG. 6 is a bottom plan view thereof.

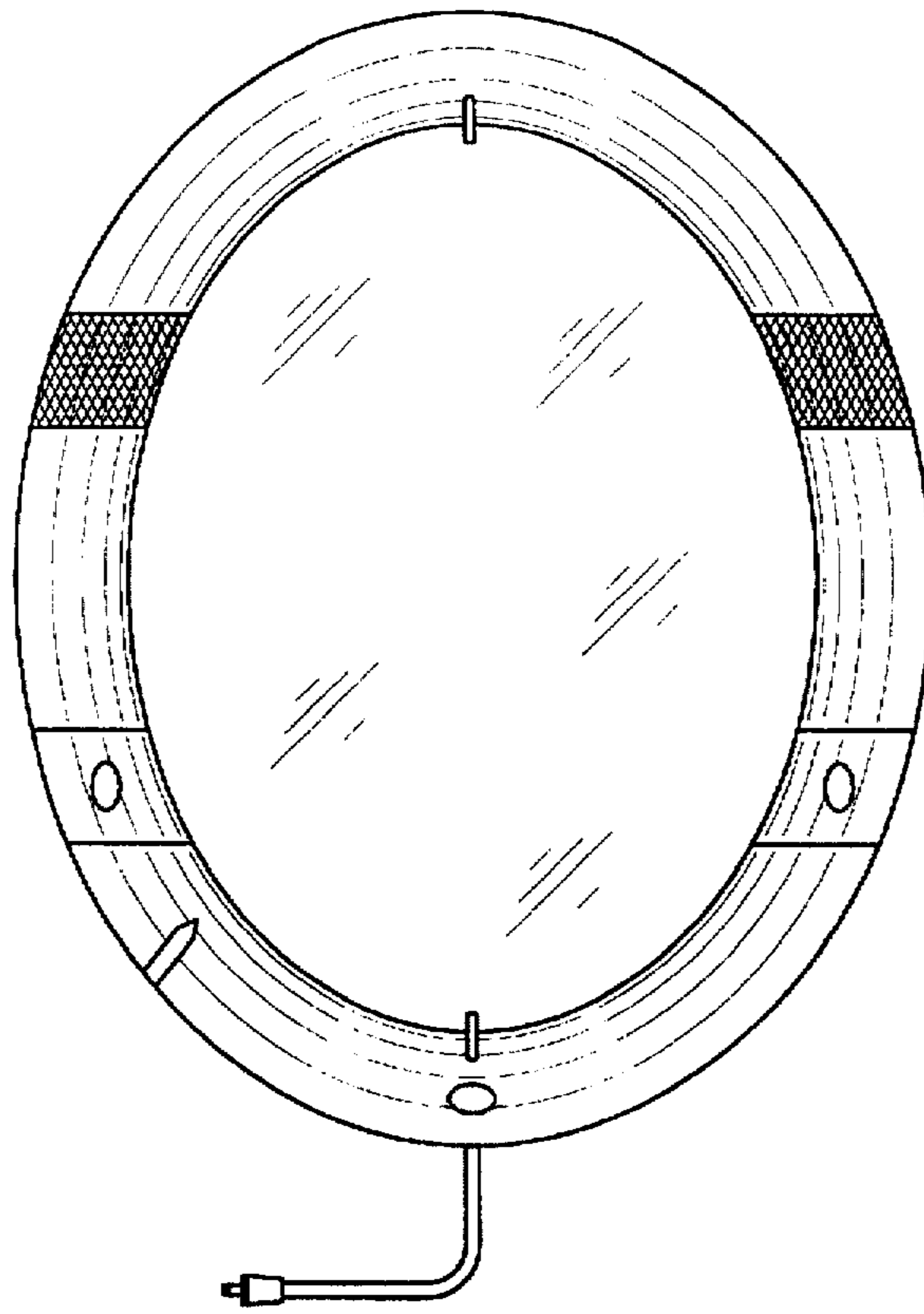
### [56] References Cited

#### U.S. PATENT DOCUMENTS

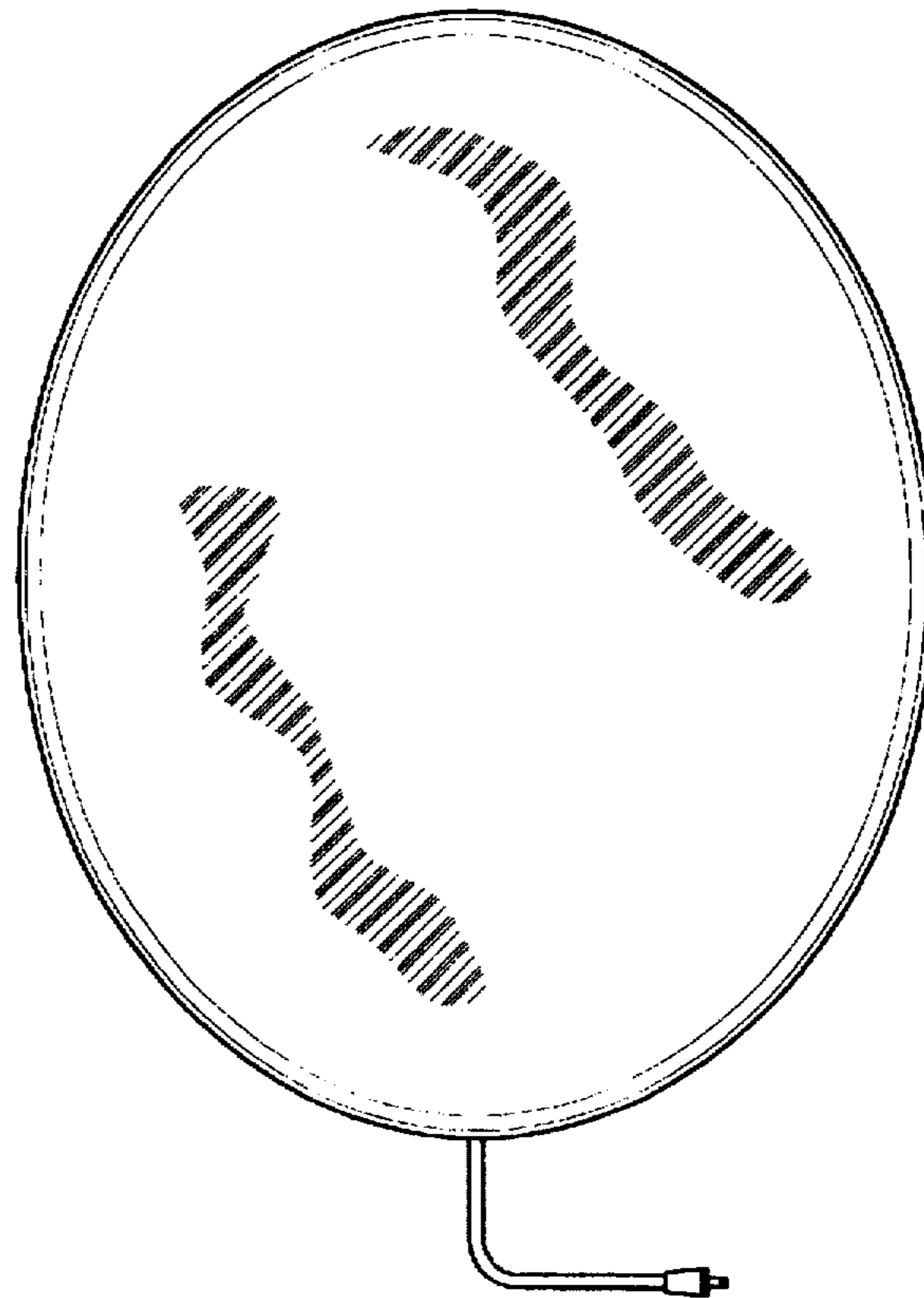
D. 357,812 5/1995 Pena ..... D6/309

**1 Claim, 3 Drawing Sheets**

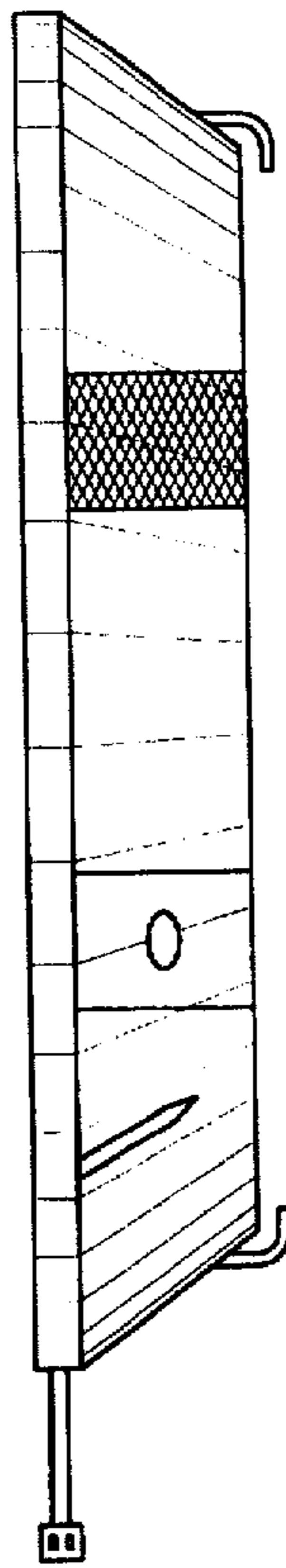




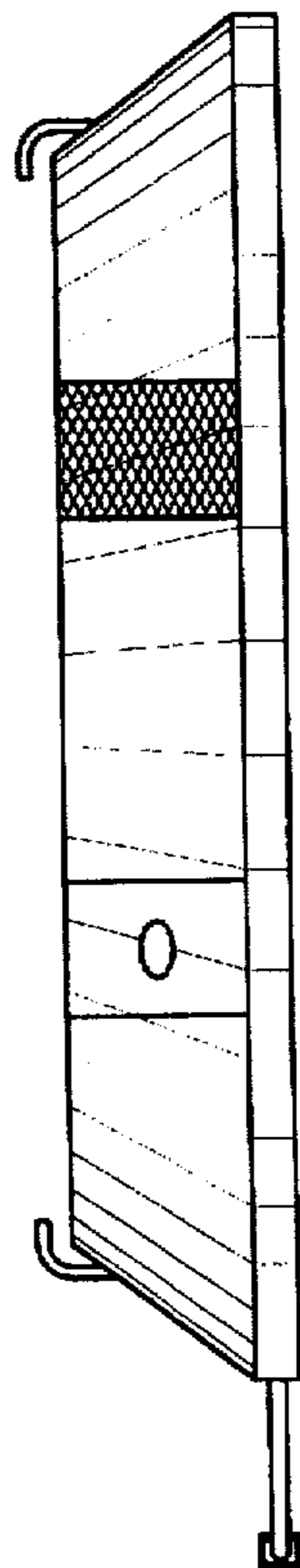
*Fig. 1*



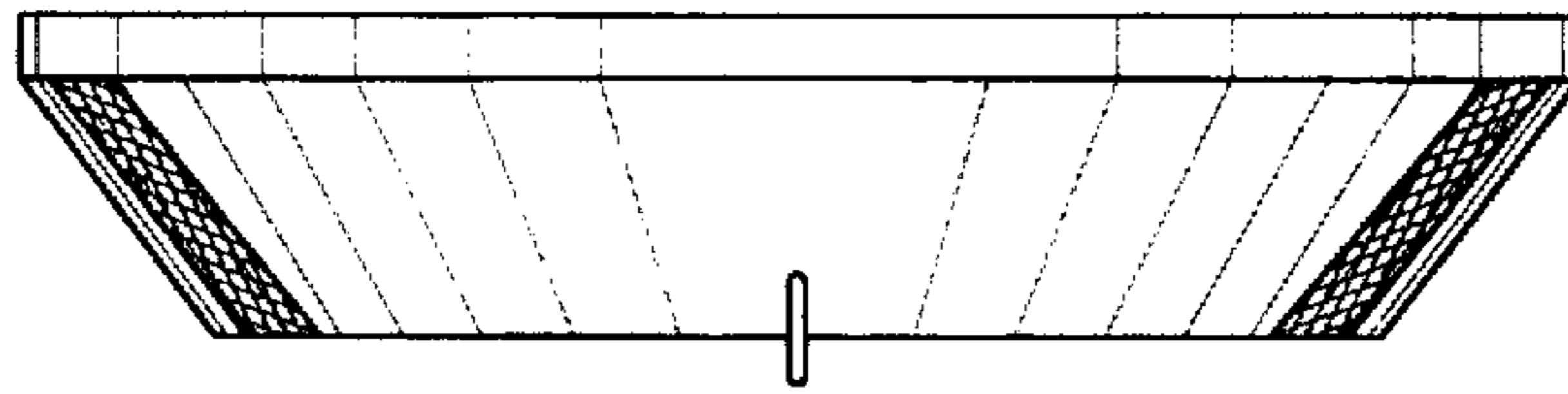
*Fig. 2*



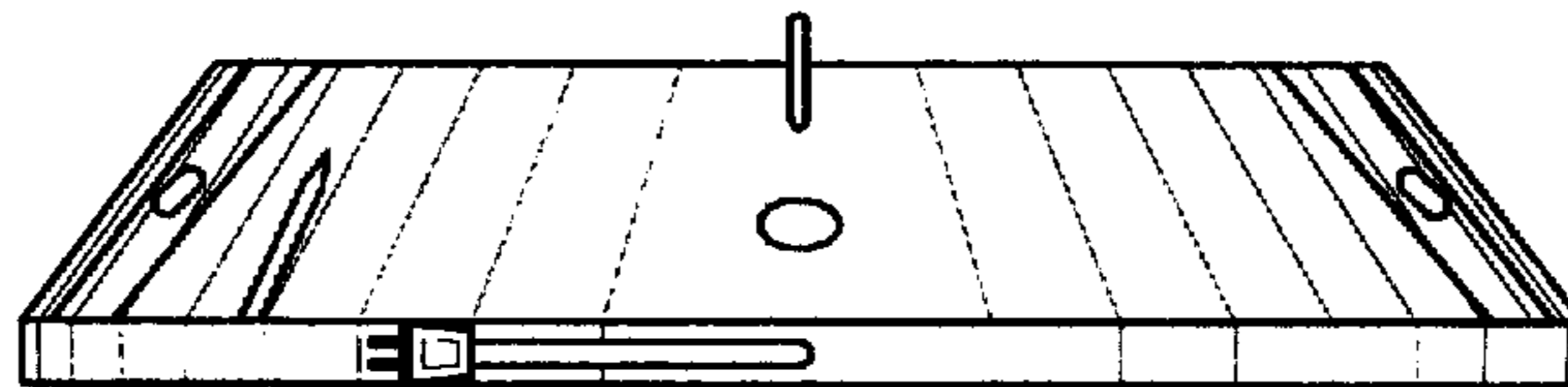
*Fig. 3*



*Fig. 4*



*Fig. 5*



*Fig. 6*