



US00D397554S

United States Patent [19] Sprague

[11] Patent Number: **Des. 397,554**
[45] Date of Patent: ****Sep. 1, 1998**

[54] **TRAVEL TOOTHBRUSH WITH FLOSS**
[76] Inventor: **Frances Sprague, 7751 E. Country Club Blvd., Boca Raton, Fla. 33487**
[**] Term: **14 Years**
[21] Appl. No.: **53,159**
[22] Filed: **Apr. 15, 1996**

3,910,706 10/1975 Del Bon 401/286 X
4,283,808 8/1981 Beebe 15/167.1 X
4,821,752 4/1989 Widlak 132/309

Primary Examiner—Alan P. Douglas
Assistant Examiner—Lavone D. Tabor
Attorney, Agent, or Firm—M. K. Silverman

Related U.S. Application Data

[63] Continuation-in-part of Ser. No. 47,438, Dec. 4, 1995, abandoned.
[51] **LOC (6) Cl.** **04-02**
[52] **U.S. Cl.** **D4/108; D28/64**
[58] **Field of Search** **D4/104-112, 114, D4/121, 132, 134; D28/64; 15/143.1, 159.1, 167.1, 167.2, 184, 186, 187; 132/308, 309, 311; 401/286, 290**

[57] **CLAIM**
The ornamental design for a travel toothbrush with floss, as shown and described.

DESCRIPTION

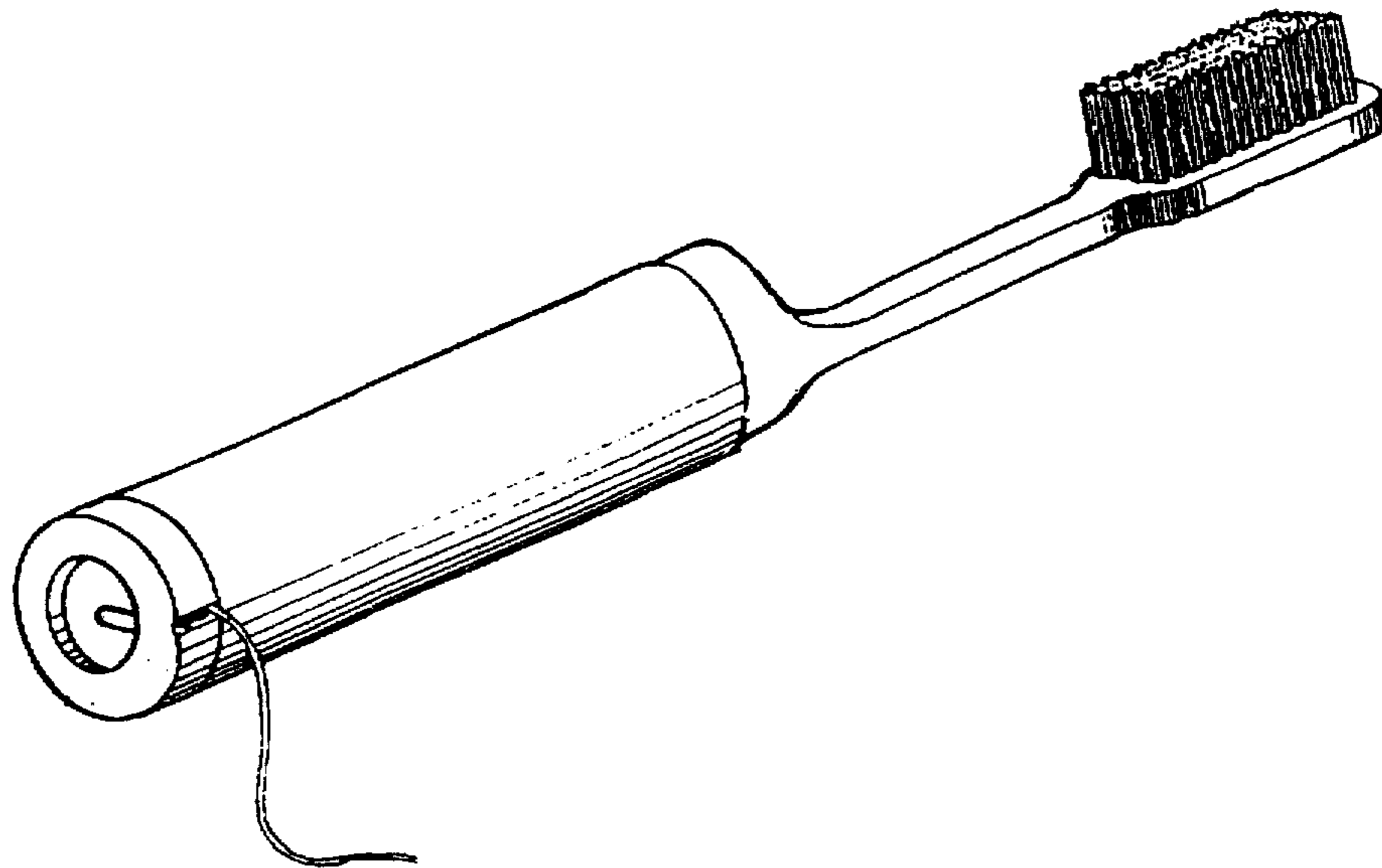
FIG. 1 is a perspective view of my travel toothbrush with floss;
FIG. 2 is a right side view, in which the left side, except for the absence of the dental floss opening, is a mirror image thereof;
FIG. 3 is a top plan view thereof;
FIG. 4 is a bottom plan view of my design for a travel toothbrush;
FIG. 5 is an upper end view thereof;
FIG. 6 is a lower end view of my inventive design for a travel toothbrush; and,
FIG. 7 is a perspective view showing the end cap, covering an internal roll of dental floss, partially removed from the handle portion thereof.

[56] References Cited

U.S. PATENT DOCUMENTS

D. 336,782 6/1993 Vela et al. D4/108
D. 363,607 10/1995 Collins et al. D4/108
1,604,918 5/1926 King 132/311 X
3,738,761 6/1973 Segerstad 401/290 X
3,853,134 12/1974 McCord 132/309

1 Claim, 2 Drawing Sheets



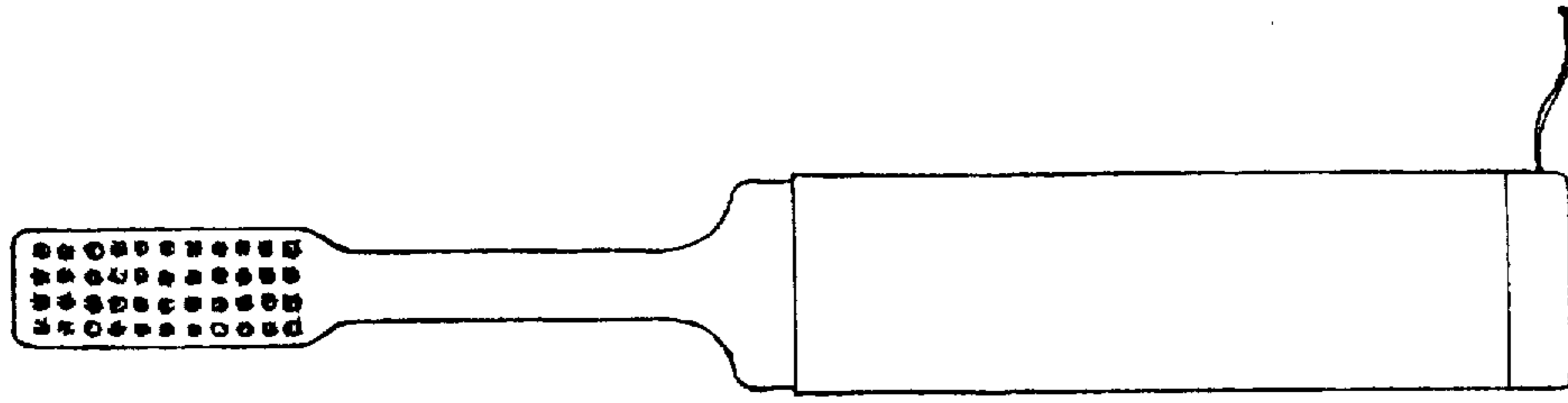


FIG. 3

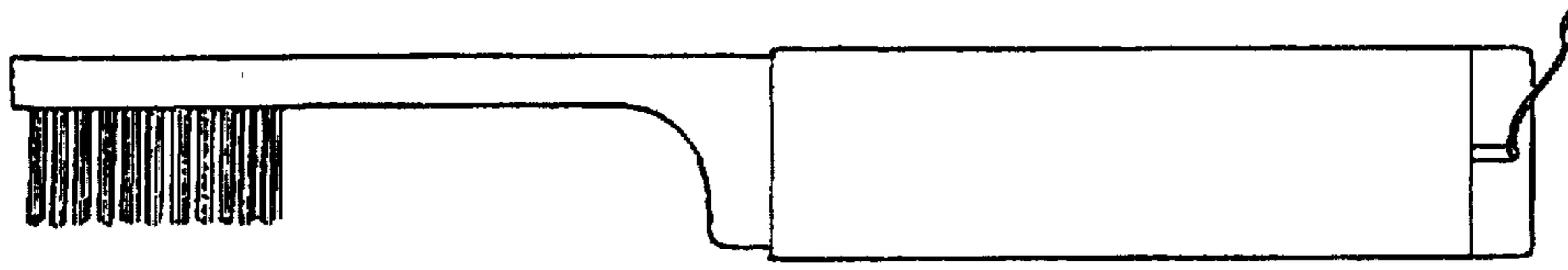


FIG. 2

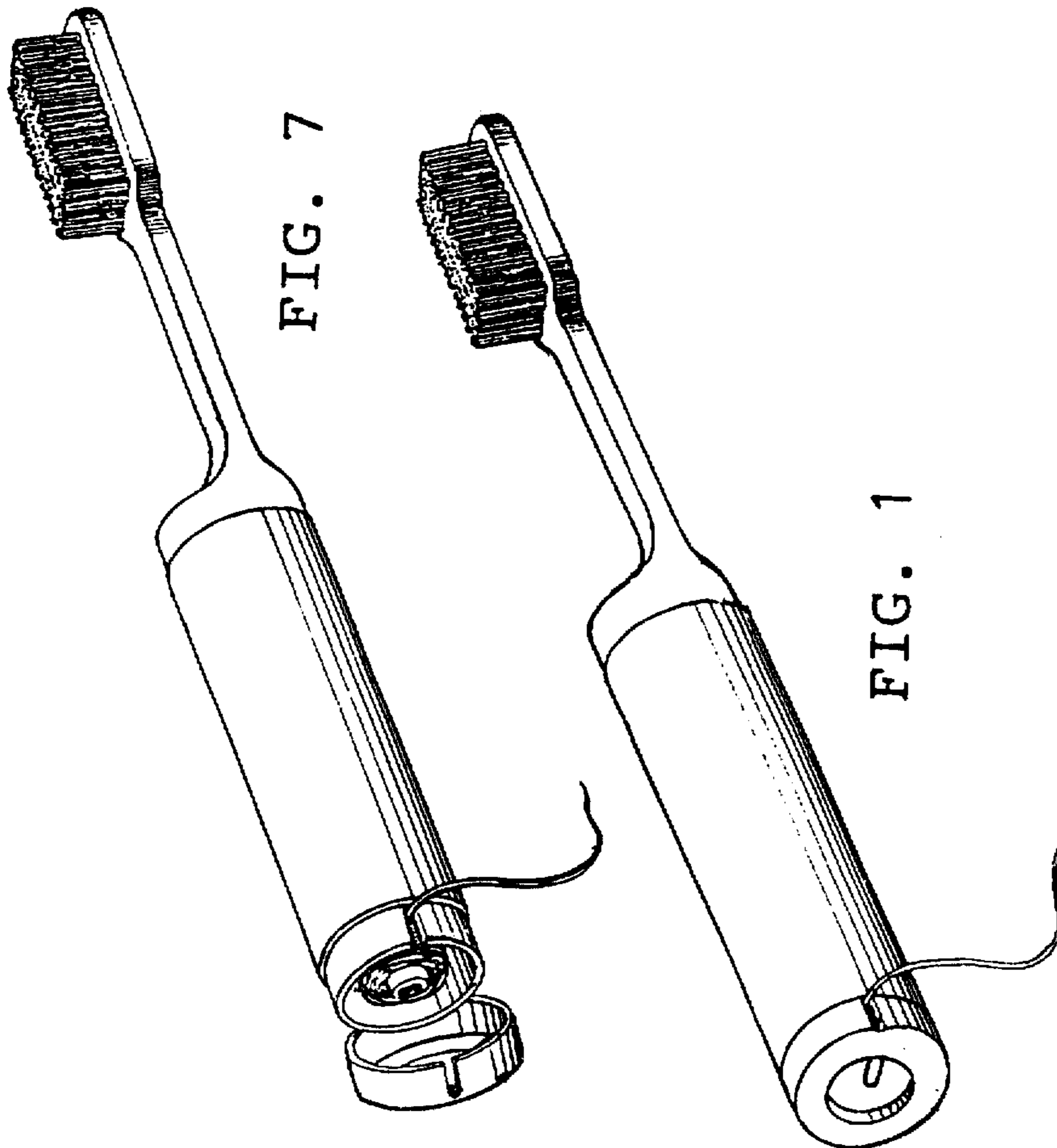


FIG. 7

FIG. 1

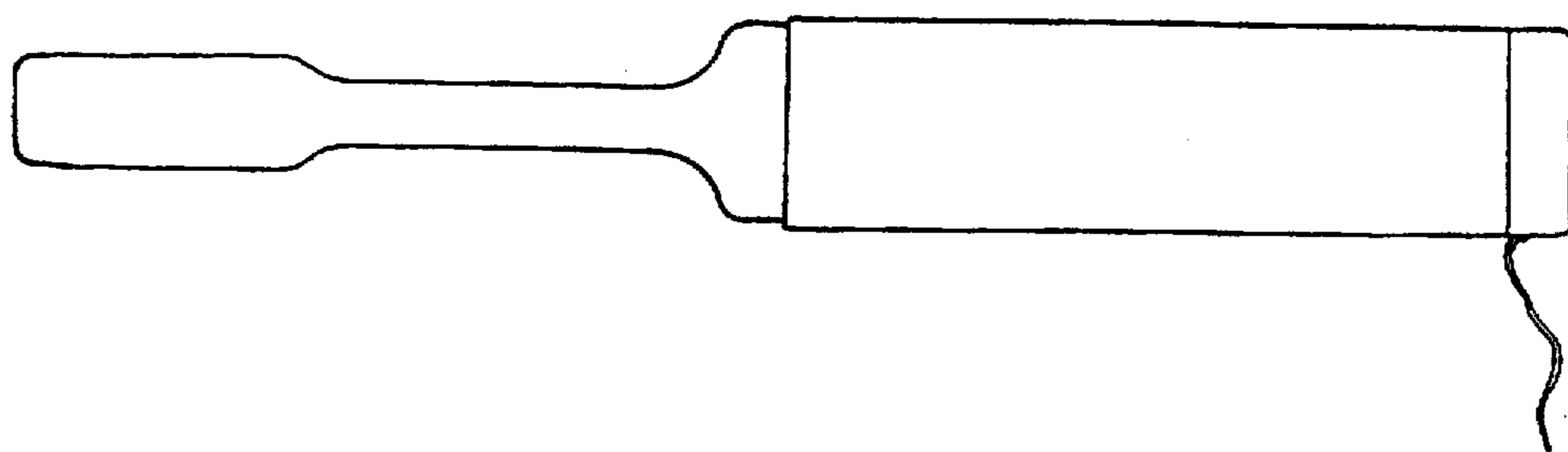


FIG. 4

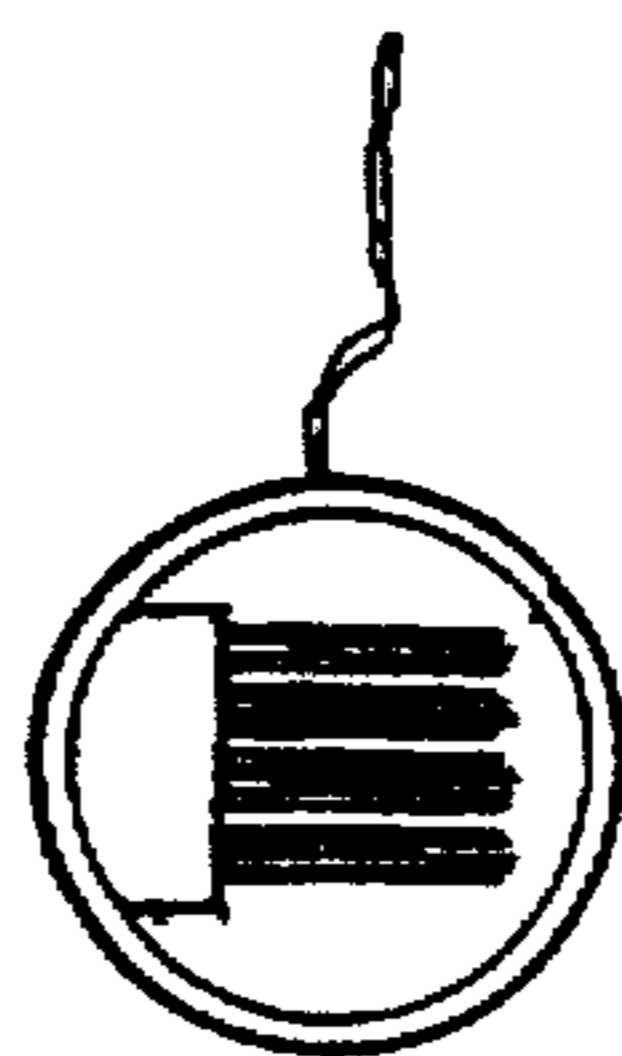


FIG. 5

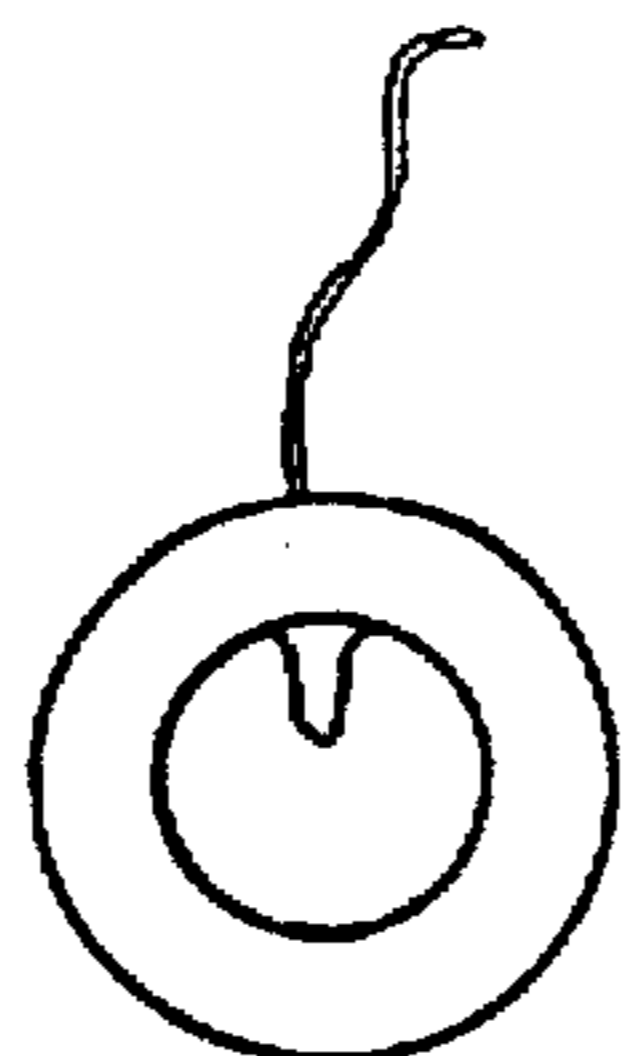


FIG. 6