



US00D397553S

United States Patent [19]

Zimmerman

[11] Patent Number: **Des. 397,553**

[45] Date of Patent: ****Sep. 1, 1998**

[54] CONTAINER

[75] Inventor: **Larry Gene Zimmerman**, Hollis, N.H.

[73] Assignee: **Sterilite Corporation**, Townsend, Mass.

[*] Notice: The term of this patent shall not extend beyond the expiration date of Pat. Nos. Des. 367,760 and Des. 370,346.

[**] Term: **14 Years**

[21] Appl. No.: **48,805**

[22] Filed: **Dec. 22, 1995**

Related U.S. Application Data

[63] Continuation-in-part of Ser. No. 4,721, Feb. 11, 1993, Pat. No. Des. 370,346.

[51] LOC (6) CL **03-01**

[52] U.S. Cl. **D3/314**

[58] Field of Search D9/424, 425, 432, D9/418; D3/304, 309, 312-314; 256/503, 504, 507, 518, 776; 220/1.5, 662, 669, 675, 657, 659, 645, 602; 211/126

[56] References Cited

U.S. PATENT DOCUMENTS

D. 200,264	2/1965	Tudor et al.	D3/310
D. 277,993	3/1985	Sinchok	D9/425 X
D. 342,896	1/1994	Gottofredi	D9/425
D. 351,284	10/1994	Kruger	D3/314

D. 357,120	4/1995	Miller	D3/312
D. 363,604	10/1995	Koenig et al.	D3/312
D. 370,999	6/1996	Umiker	D3/307 X
D. 372,123	7/1996	Kobilarcik et al.	D3/314 X
D. 375,201	11/1996	Karr et al.	D3/307 X
2,995,271	8/1961	Frater et al.	206/507
3,170,594	2/1965	Nascher	206/507
3,447,715	6/1969	Beney	206/507

OTHER PUBLICATIONS

Lewisystems, 1983 Cat, p. 20.
Global Industrial Equipment ©1990, p. 34.

Primary Examiner—Prabhakar G. Deshmukh
Attorney, Agent, or Firm—Ernest V. Linek; Dike, Bronstein Roberts & Cushman, LLP

[57] CLAIM

The ornamental design of a container, as shown and described.

DESCRIPTION

FIG. 1 is a perspective view of a container showing my new design;

FIG. 2 is a top plan view thereof;

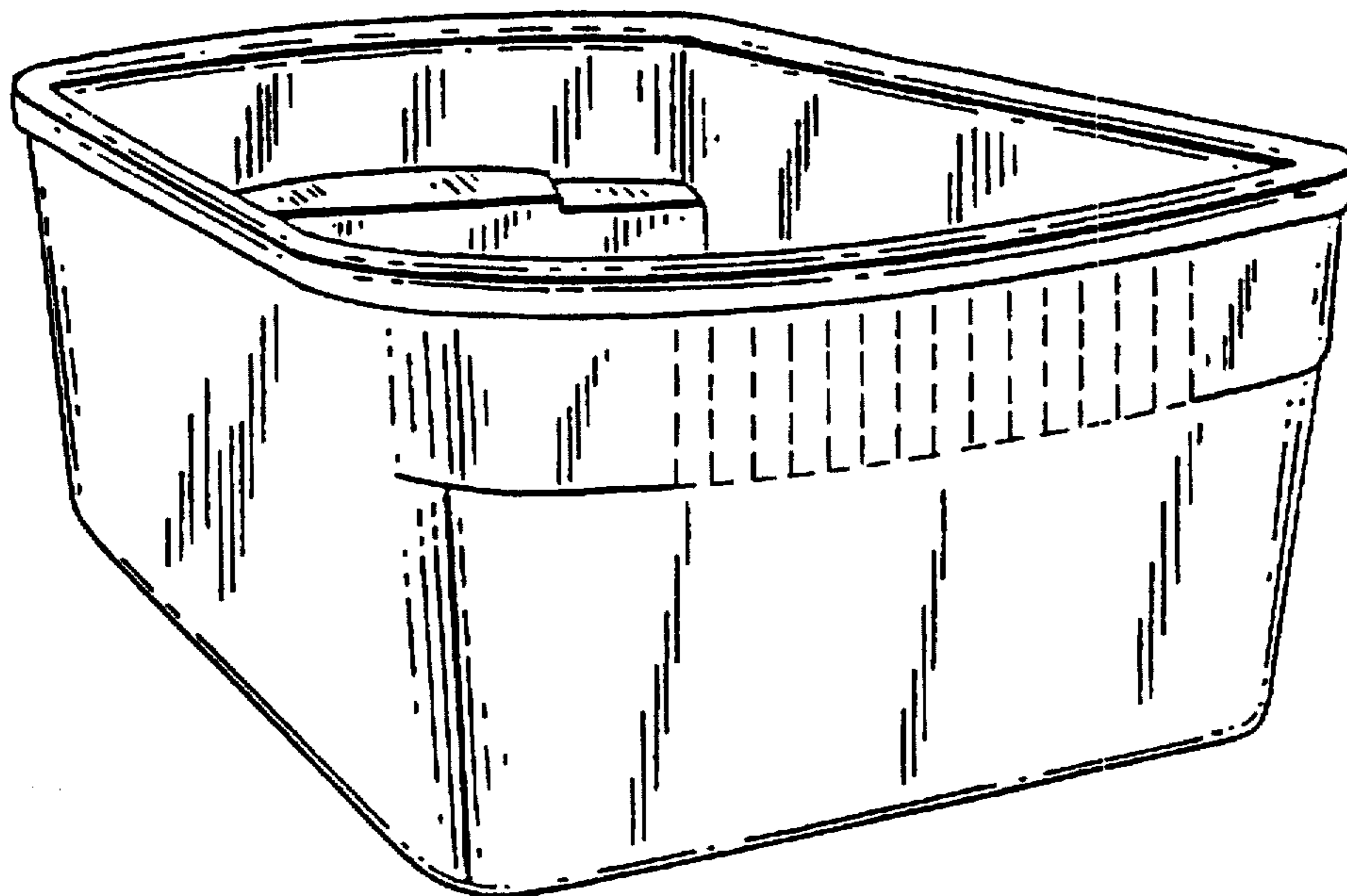
FIG. 3 is a front elevational view thereof; the rear elevational view being a mirror image thereof;

FIG. 4 is a right side elevational view thereof; the left side elevational view being a mirror image thereof; and,

FIG. 5 is a bottom plan view thereof.

The broken lines showing of ribs are shown for illustrative purpose only and forms no part of the claim.

1 Claim, 2 Drawing Sheets



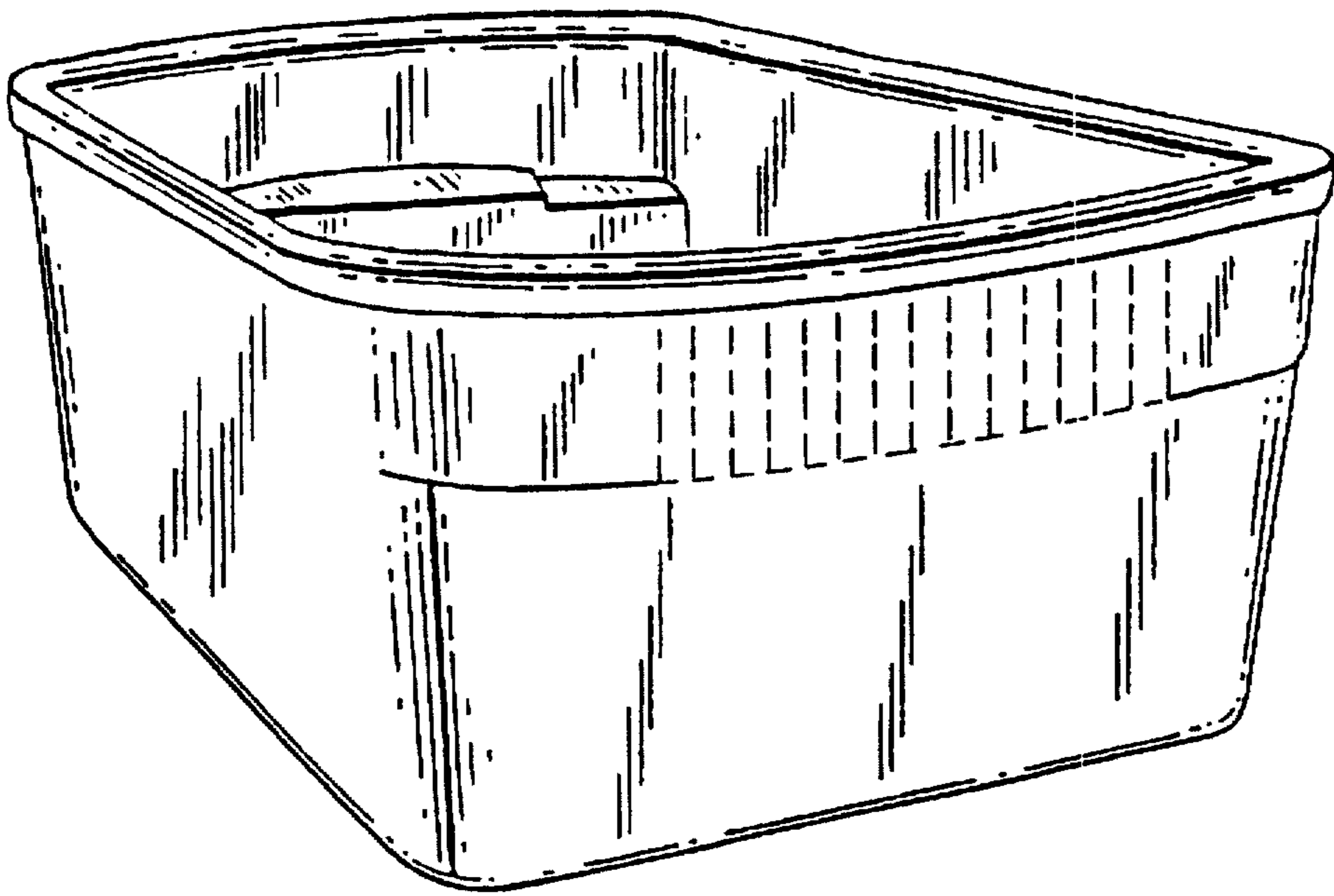


FIG. 1

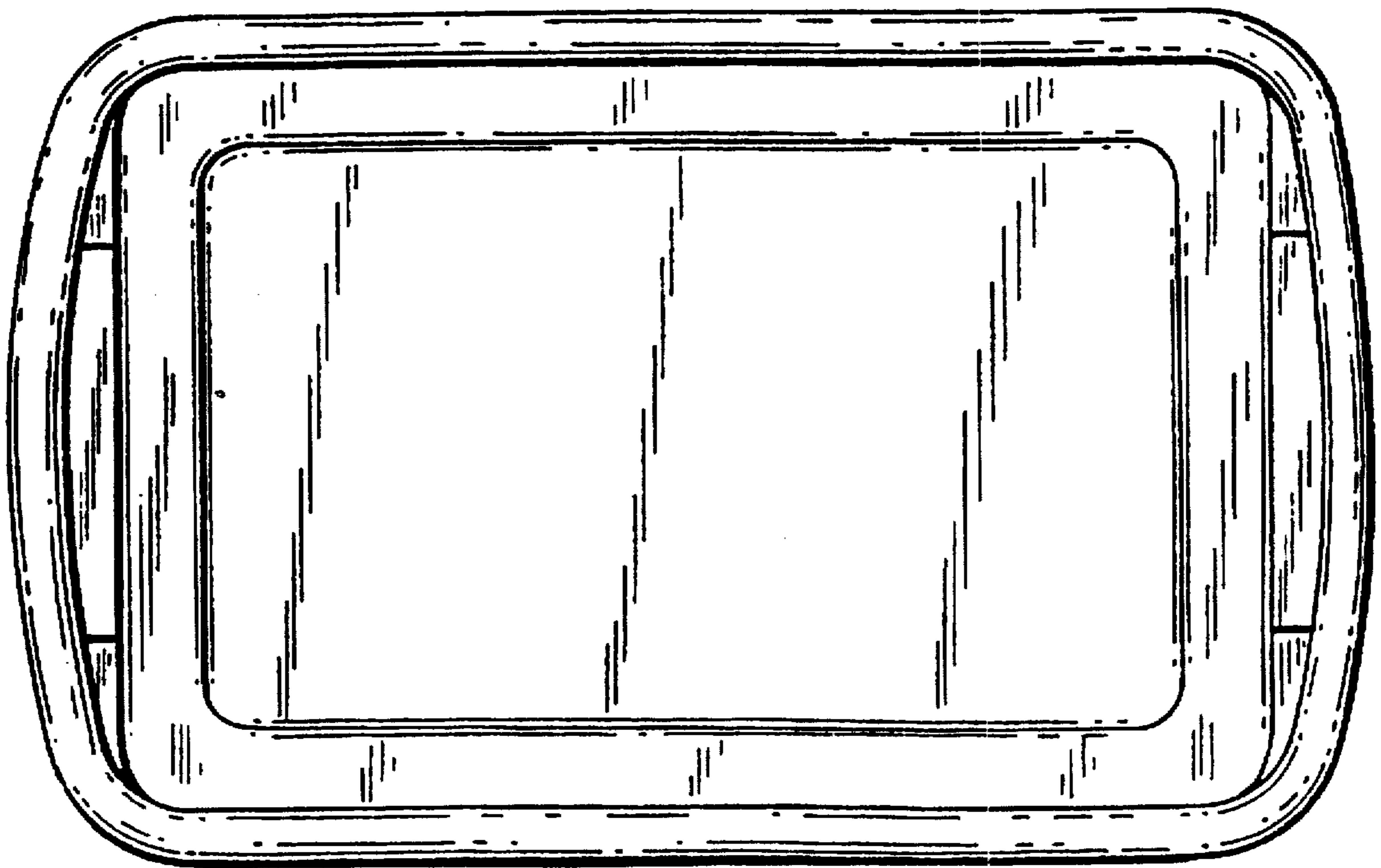


FIG. 2

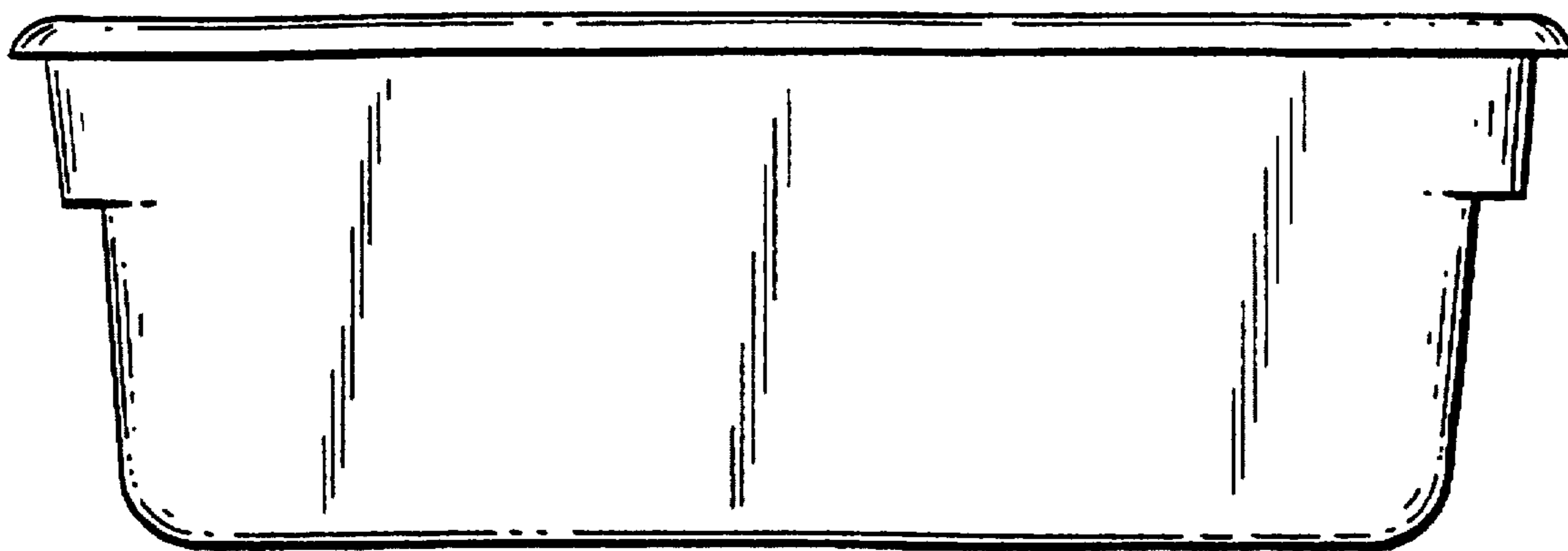


FIG. 3

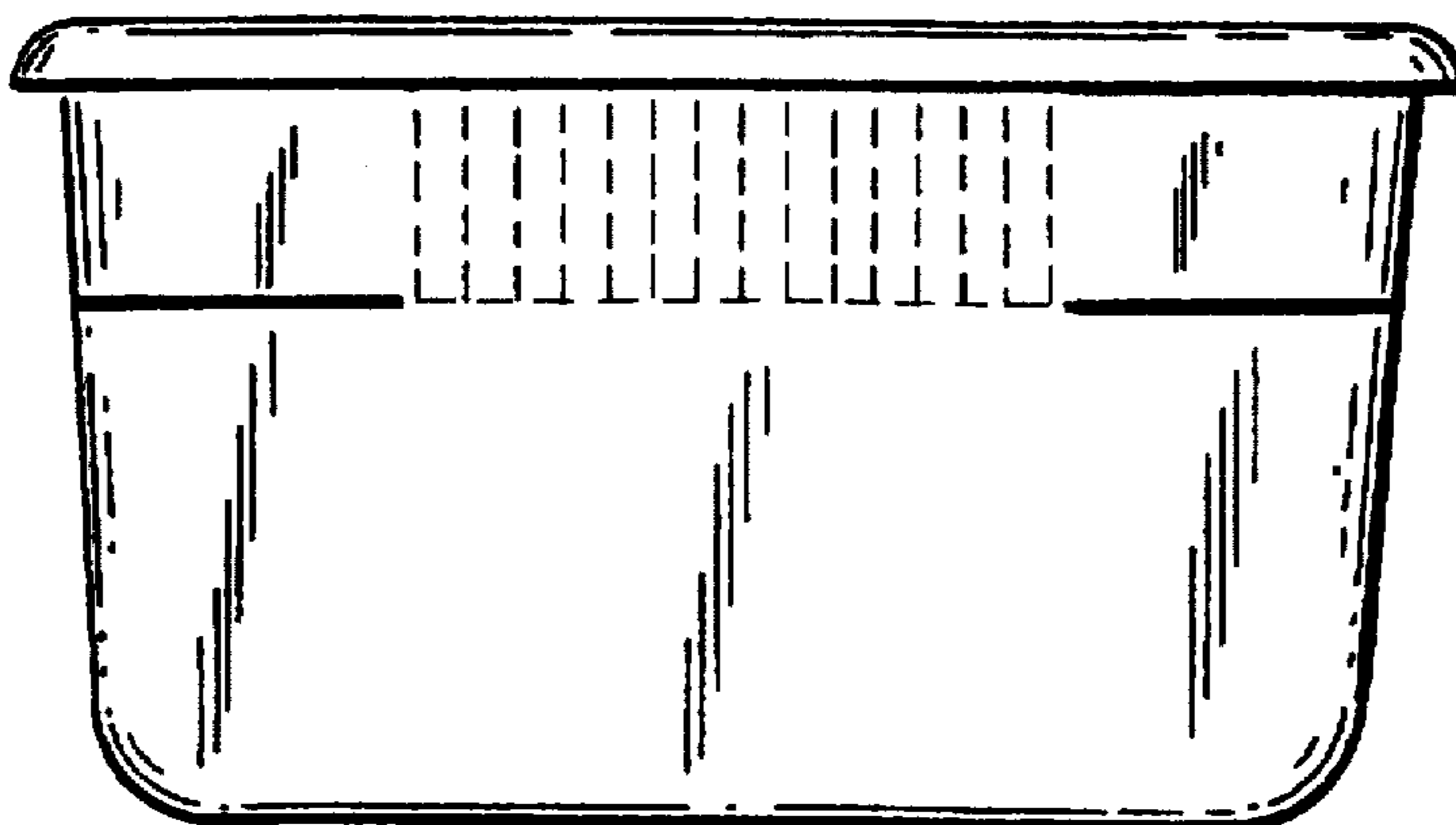


FIG. 4

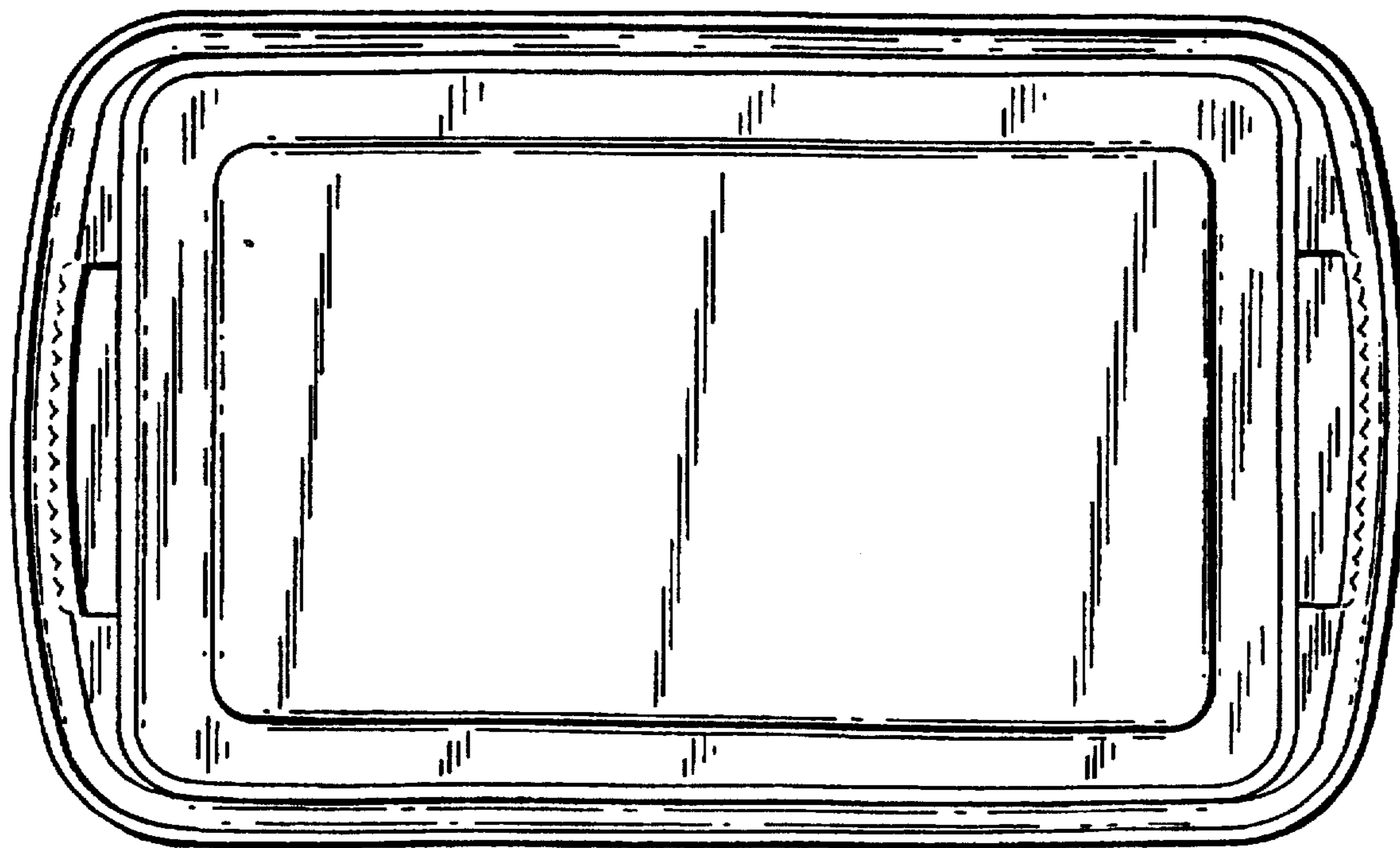


FIG. 5