



US00D397552S

United States Patent [19]

Rutledge

[11] Patent Number: **Des. 397,552**

[45] Date of Patent: ****Sep. 1, 1998**

[54] **TRANSPARENT STORAGE CONTAINER WITH LID**

[75] Inventor: **Gary L. Rutledge, Parker, Tex.**

[73] Assignee: **John C. Marrelli, Tustin, Calif.**

[**] Term: **14 Years**

[21] Appl. No.: **69,209**

[22] Filed: **Mar. 19, 1997**

[51] LOC (6) CL **03-01**

[52] U.S. Cl. **D3/302; D9/425**

[58] Field of Search **D3/272, 273, 302; D9/420, 424, 425, 435, 431; 220/334, 335, 339, 353, 266; 206/508, 503, 518; D7/629, 602, 391**

D. 284,253	6/1986	Carlson .	
D. 284,254	6/1986	Carlson .	
D. 284,944	8/1986	Carlson .	
D. 285,514	9/1986	Ritman .	
D. 285,906	9/1986	Tyler	D9/425
D. 287,573	1/1987	Tyler	D9/435
D. 287,803	1/1987	Daenen et al. .	
D. 289,719	5/1987	Daenen et al. .	
D. 302,774	8/1989	Murphy	D9/425
D. 304,016	10/1989	Forbes, Jr.	D9/425
D. 308,340	6/1990	Ilsen et al.	D9/425
D. 308,486	6/1990	Willson	D9/432
D. 312,968	12/1990	Wolff	D9/431
D. 315,099	3/1991	Alizard	D9/424
D. 316,513	4/1991	Wolff	D9/431
D. 319,978	9/1991	Wolff	D9/431
D. 321,111	10/1991	Wolff	D7/391
D. 321,456	11/1991	Wolff	D7/391
D. 325,847	5/1992	Wolff	D7/391
D. 326,979	6/1992	Wolff	D7/391

(List continued on next page.)

[56] **References Cited**

U.S. PATENT DOCUMENTS

D. 175,202	7/1955	Tupper	D7/629
D. 220,448	4/1971	Swett et al. .	
D. 224,553	8/1972	Swett et al.	D7/629
D. 238,051	12/1975	Fier, Jr. .	
D. 238,148	12/1975	Dilot	D9/425
D. 250,870	1/1979	Stahel .	
D. 262,839	2/1982	Daenen et al. .	
D. 267,703	1/1983	Chase et al.	D9/435
D. 272,029	1/1984	Grusin .	
D. 272,595	2/1984	Chase et al. .	
D. 272,971	3/1984	Tallon .	
D. 275,653	9/1984	Crutchfield	D9/420
D. 276,400	11/1984	Daenen et al. .	
D. 276,401	11/1984	Daenen et al. .	
D. 276,402	11/1984	Daenen et al. .	
D. 278,675	5/1985	Tardif et al. .	
D. 279,251	6/1985	Daenen et al. .	
D. 279,252	6/1985	Daenen et al. .	
D. 279,253	6/1985	Daenen et al. .	
D. 279,952	8/1985	Daenen et al. .	
D. 280,281	8/1985	Conti et al. .	
D. 282,808	3/1986	Daenen et al. .	
D. 282,809	3/1986	Daenen et al. .	
D. 282,896	3/1986	Conti et al. .	
D. 282,897	3/1986	Conti et al. .	

Primary Examiner—Philip S. Hyder

Attorney, Agent, or Firm—Lowe Hauptman Gopstein & Berner

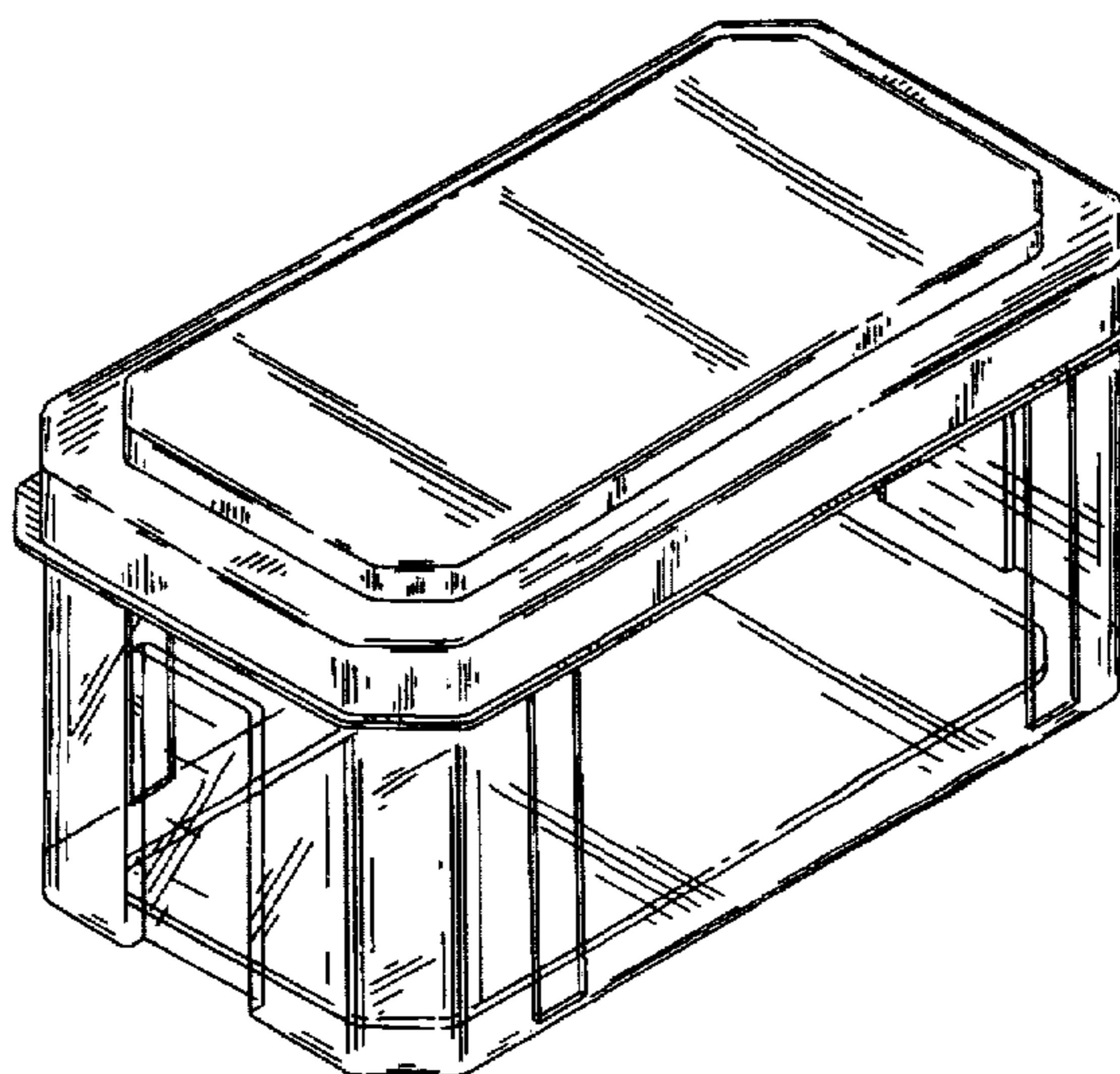
[57] **CLAIM**

The ornamental design for a transparent storage container with lid, as shown and described.

DESCRIPTION

FIG. 1 is a perspective view of a transparent storage container with lid according to my new design;
 FIG. 2 is a top plan view of the container of FIG. 1;
 FIG. 3 is a bottom plan view of the container of FIG. 1;
 FIG. 4 is a left side view of the container of FIG. 1;
 FIG. 5 is a right side elevation of the container of FIG. 1;
 FIG. 6 is a front elevation of the container of FIG. 1;
 FIG. 7 is a rear elevation of the container of FIG. 1;
 FIG. 8 is an exploded perspective view of the container body and lid according to my new design;
 FIG. 9 is a bottom view of the container body without the lid attached; and,
 FIG. 10 is a bottom view of the container lid.

1 Claim, 6 Drawing Sheets



U.S. PATENT DOCUMENTS

D. 332,204	1/1993	Carlson	D7/629	D. 360,105	7/1995	Doxey	D7/391
D. 342,815	12/1993	Shafer	D9/425	D. 363,662	10/1995	Plater	D3/304
D. 343,795	2/1994	Verchere	D9/425	D. 363,663	10/1995	Plater	D9/425
D. 346,720	5/1994	Onneweer	D7/629	2,695,645	5/1954	Tupper .	
D. 348,394	7/1994	Dreyer	D9/425	2,752,970	7/1956	Tupper .	
D. 350,880	9/1994	VanValkenburg et al.	D7/629	3,448,888	6/1969	Smith et al. .	
D. 352,425	11/1994	Daenen et al.	D7/602	4,412,630	11/1983	Daenen	220/353
D. 354,436	1/1995	Krupa	D9/423	4,819,824	4/1989	Longbottom et al.	220/266
D. 354,655	1/1995	Daenen et al.	D7/392.1	5,012,928	5/1991	Proffitt et al.	206/508
D. 355,814	2/1995	VanValkenburg et al.	D7/629	5,036,997	8/1991	May et al.	220/335
				5,145,088	9/1992	Goujon	220/335
				5,204,130	4/1993	McDevitt et al.	220/339

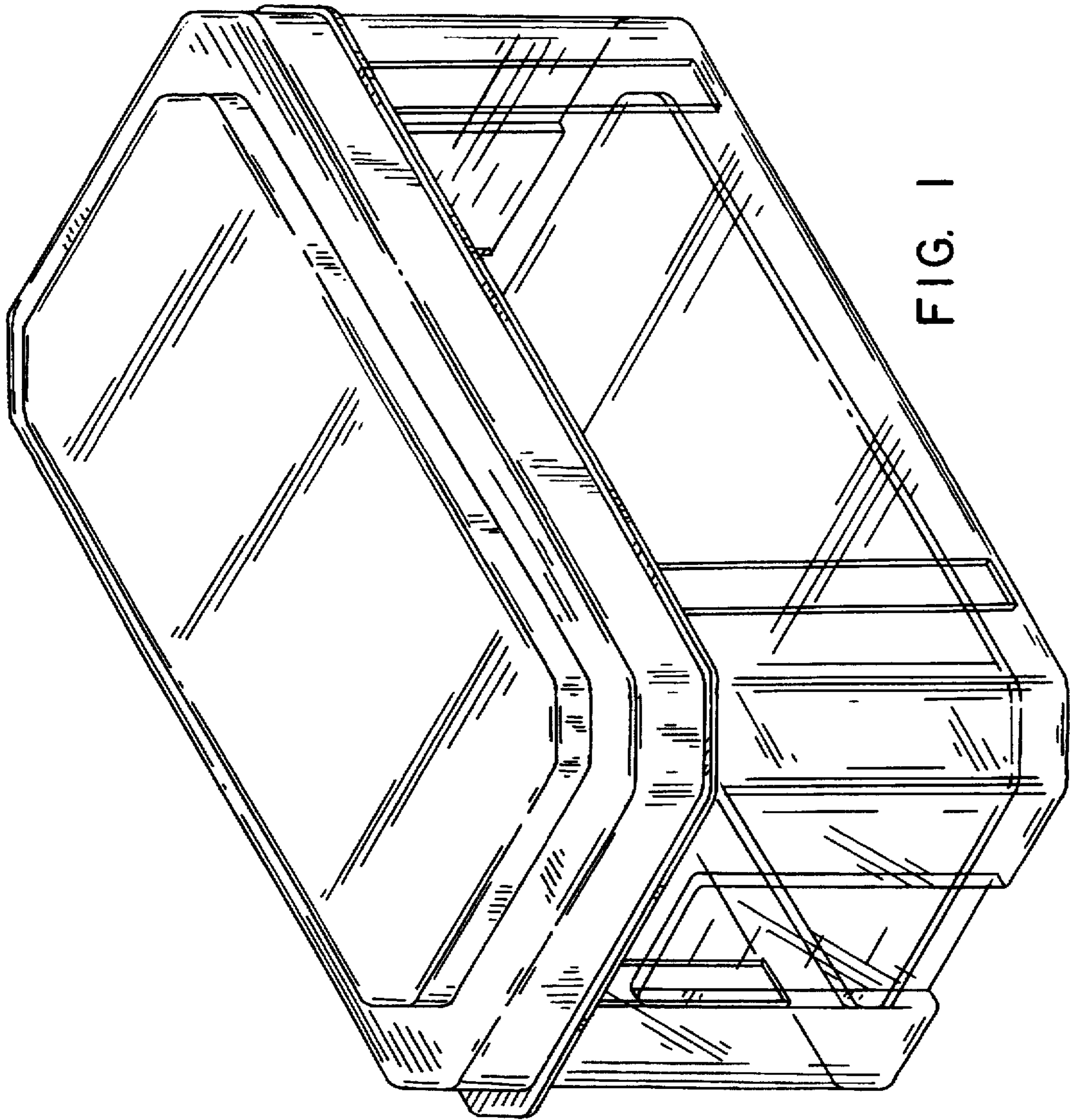


FIG. 1

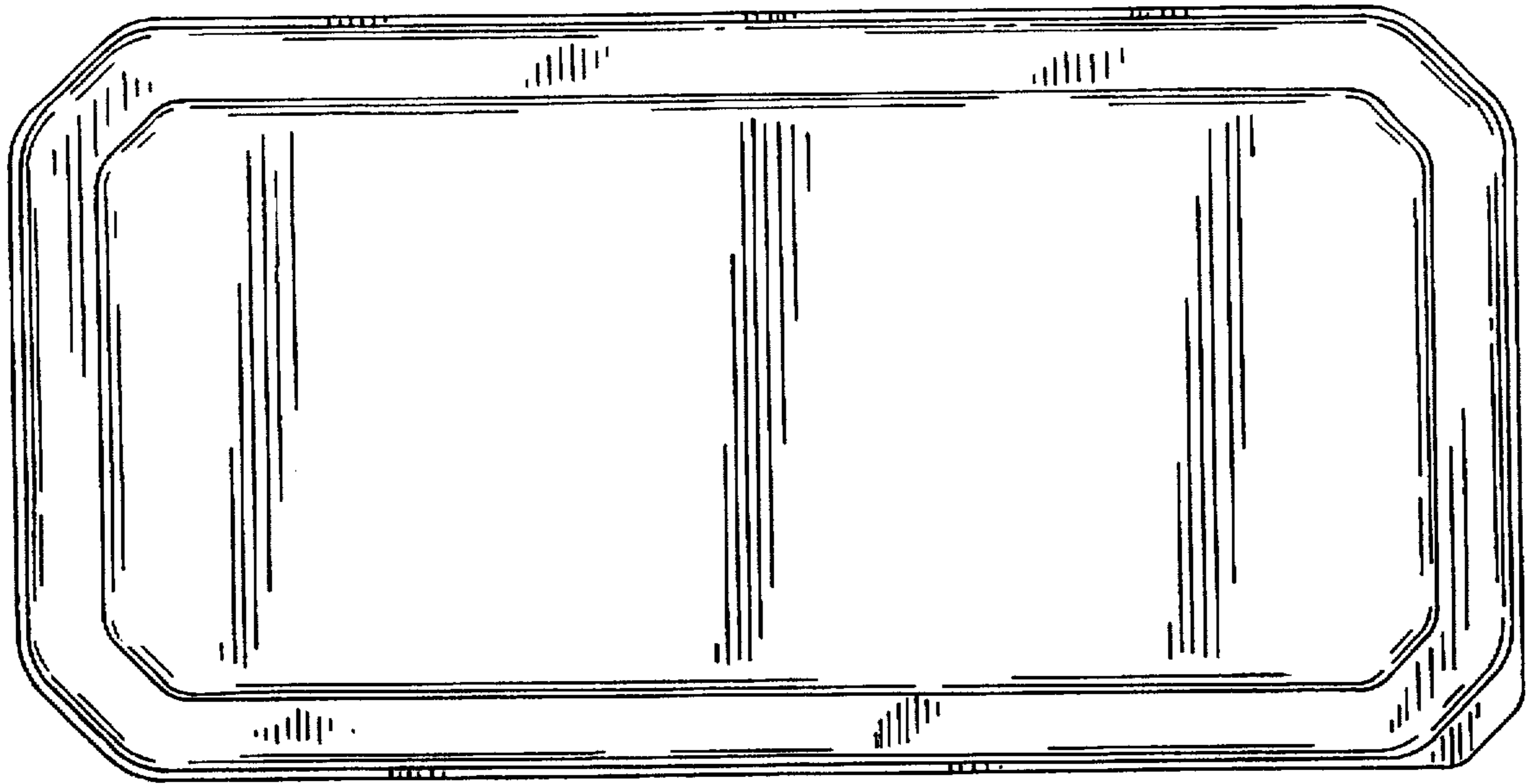


FIG. 2

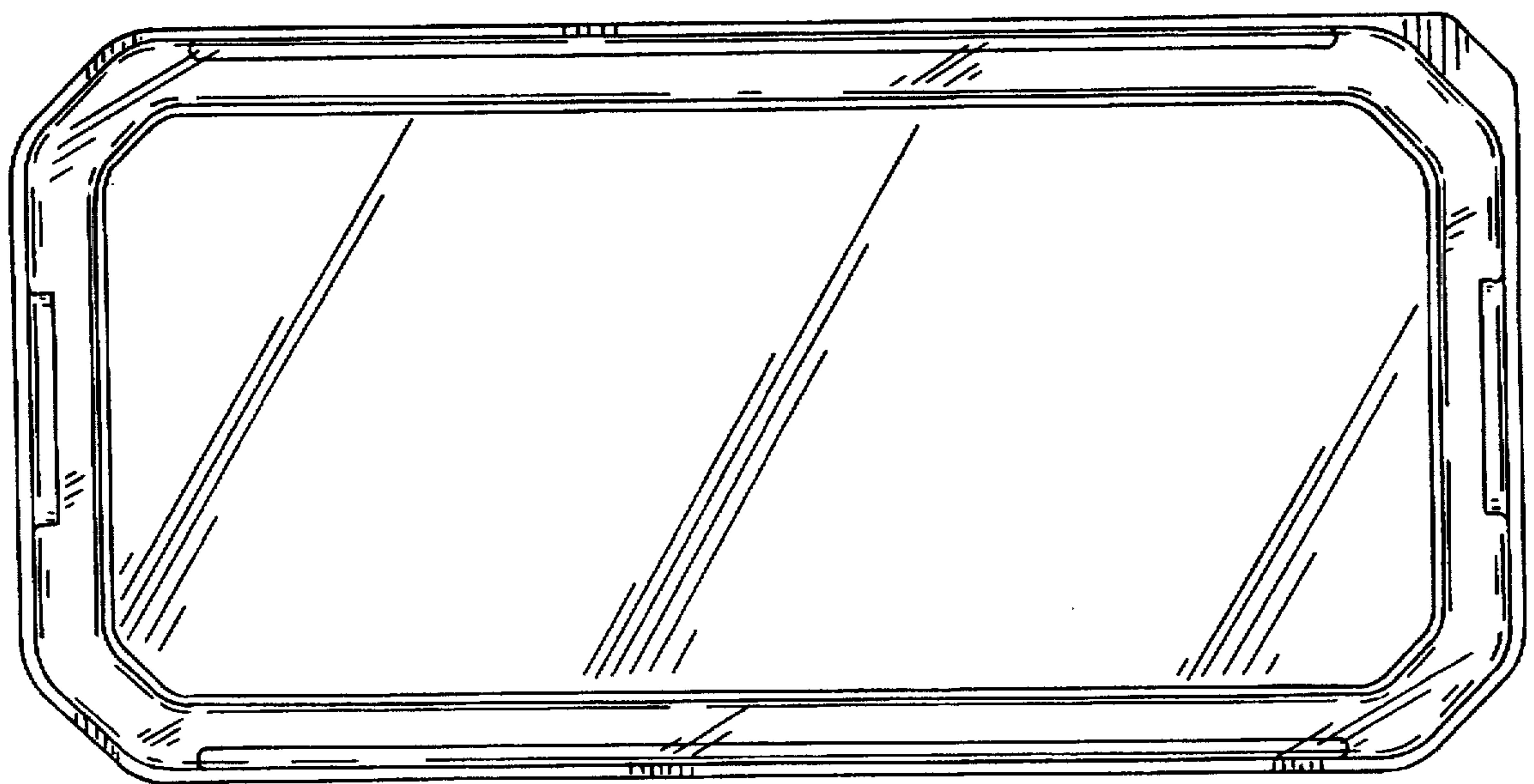


FIG. 3

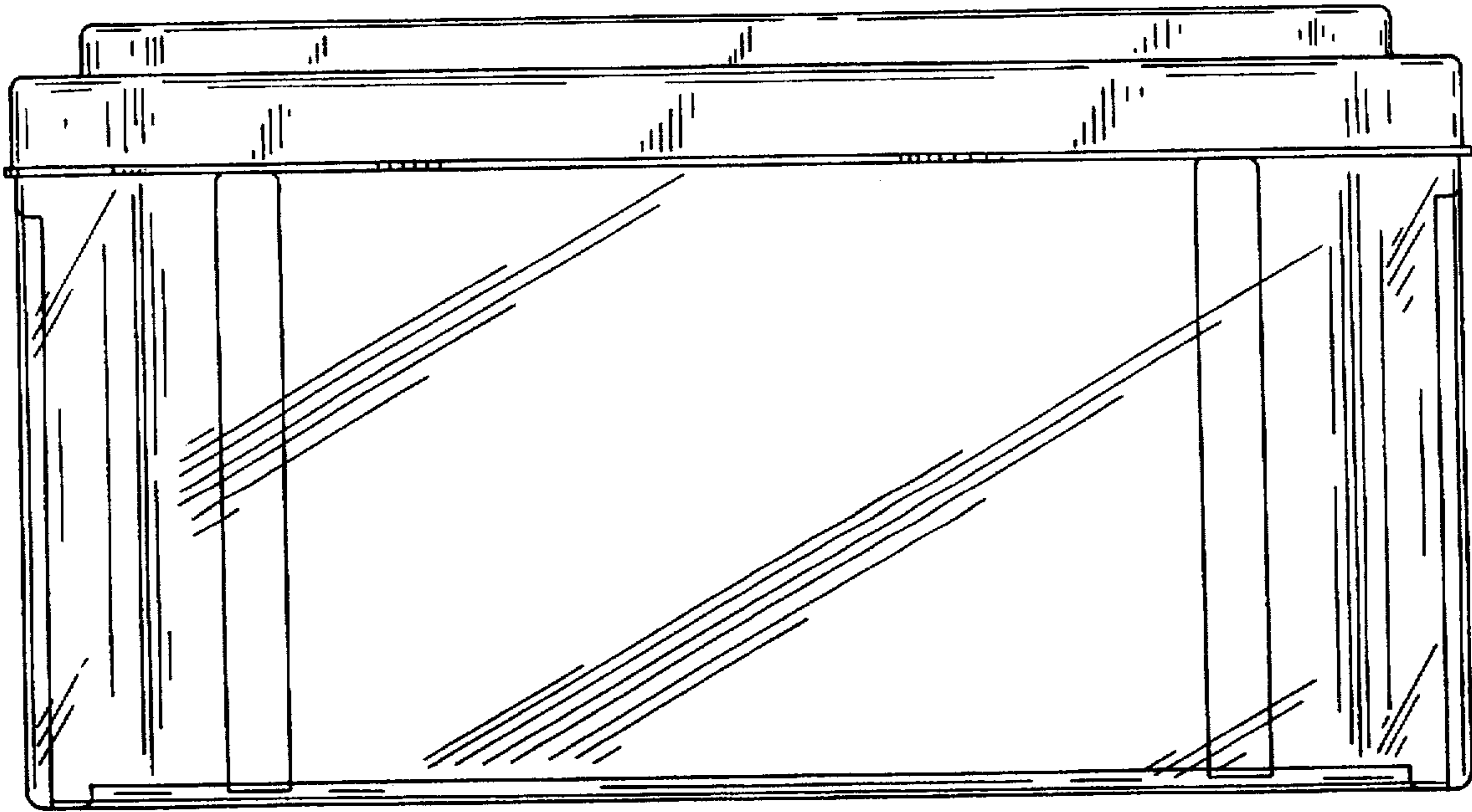


FIG. 4

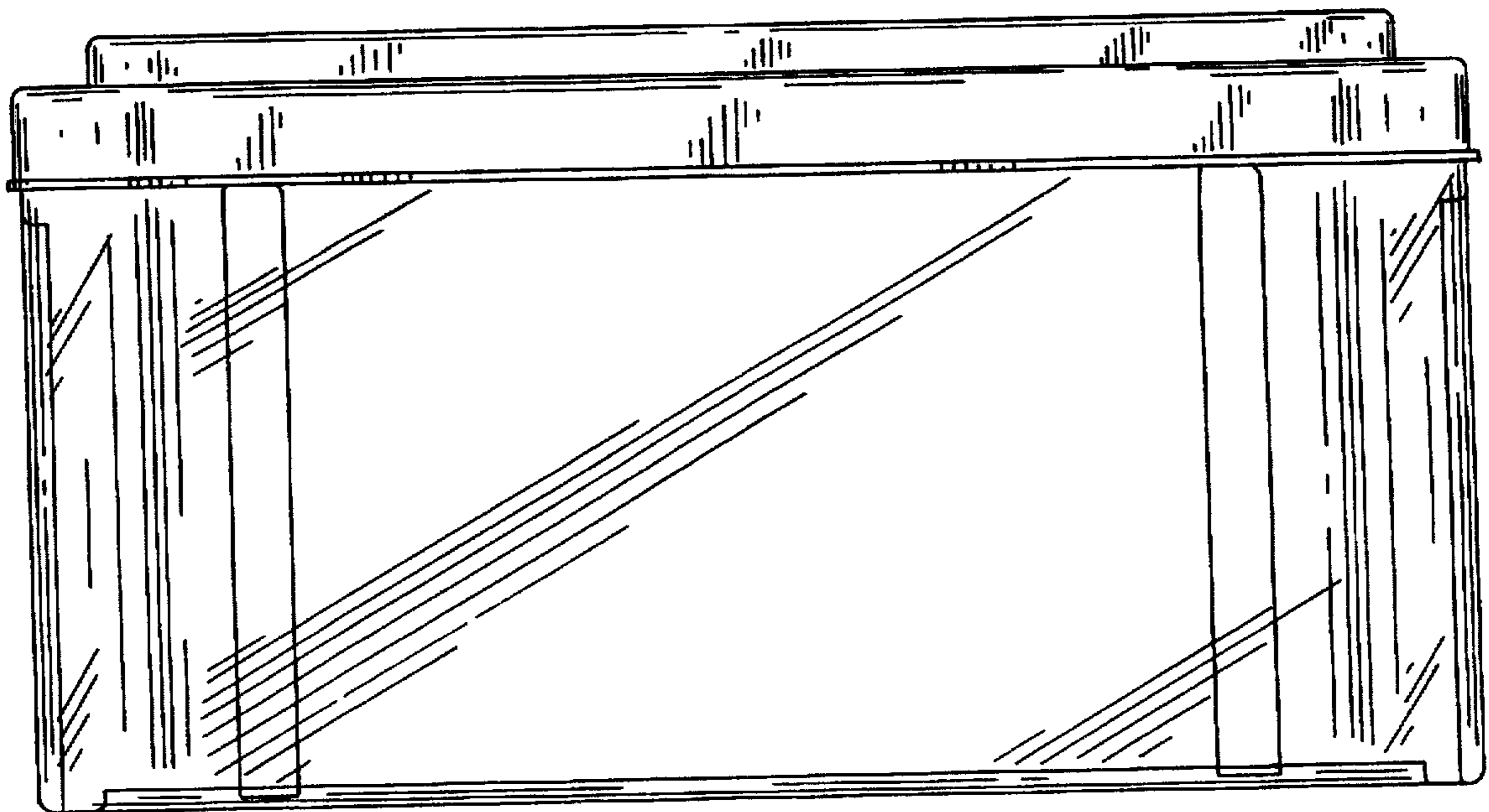


FIG. 5

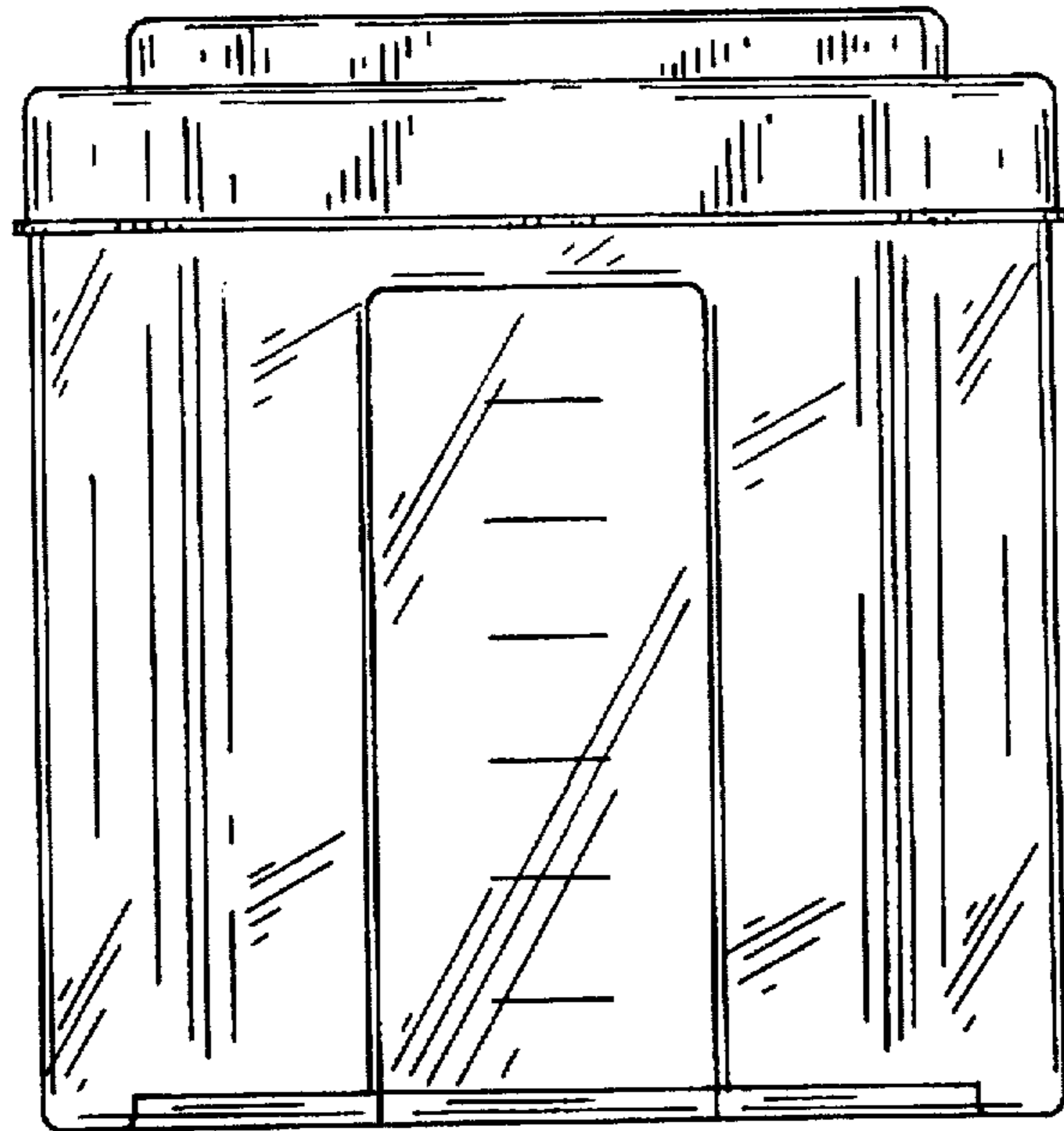


FIG. 6

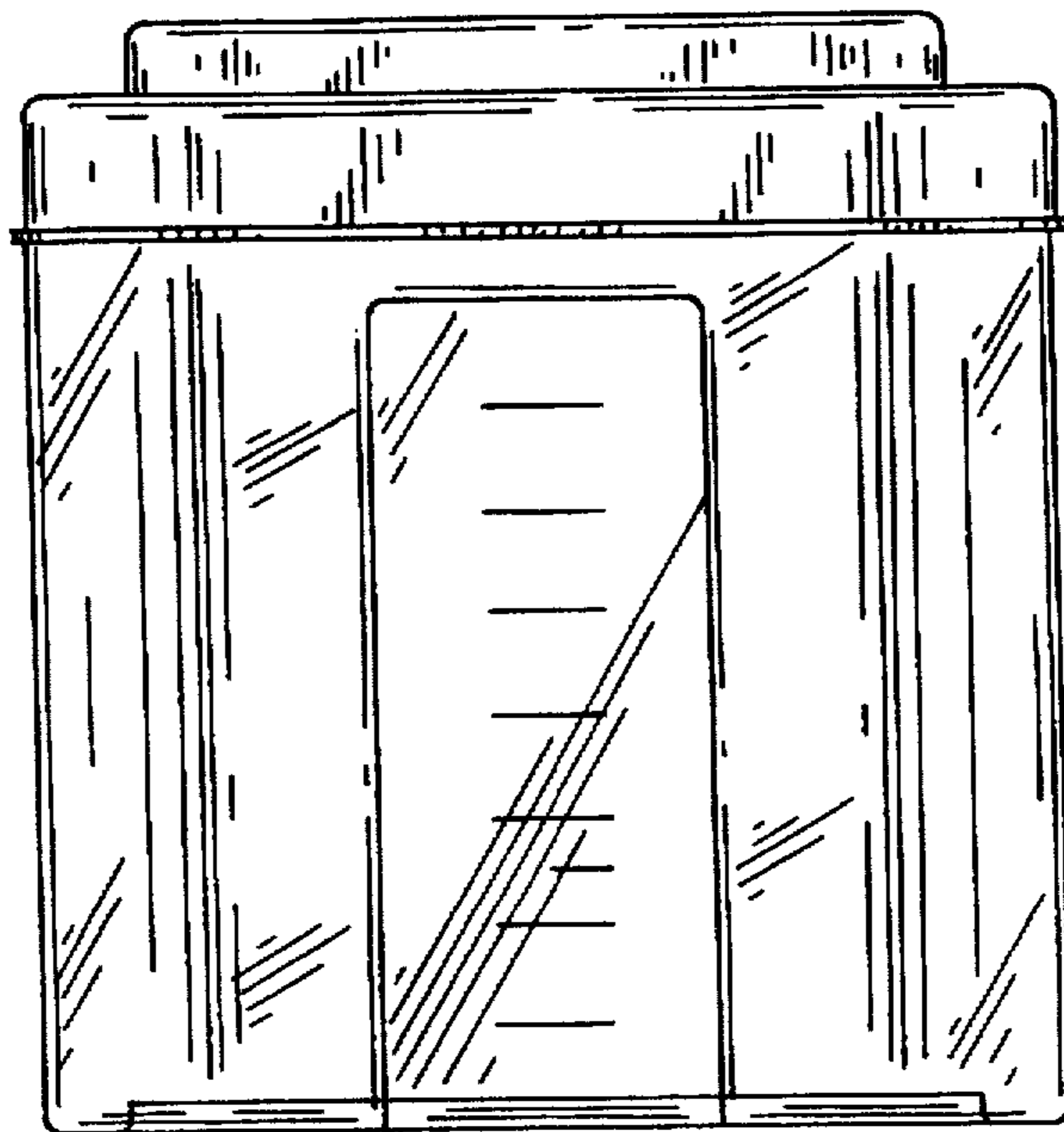


FIG. 7

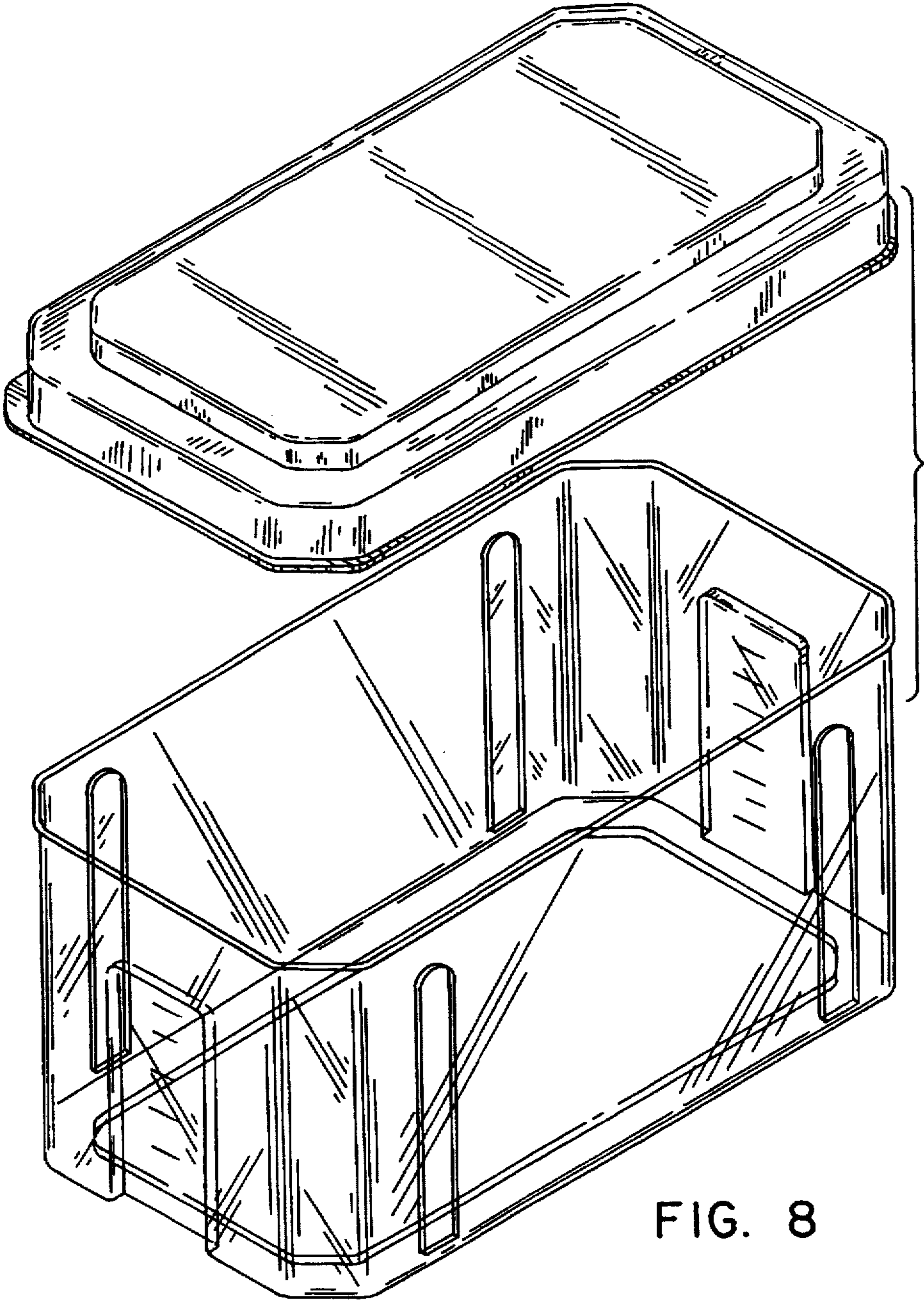


FIG. 8

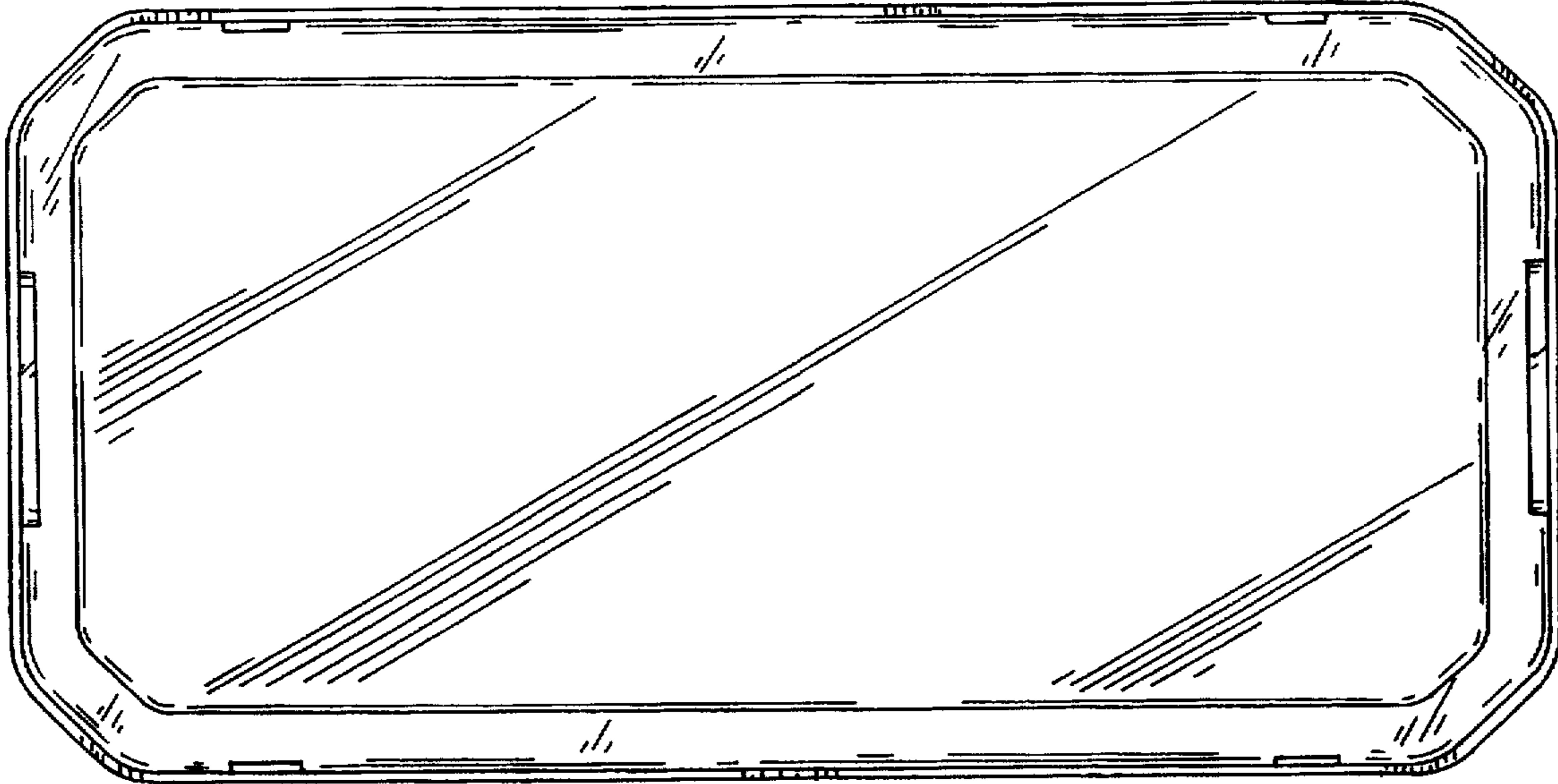


FIG. 9

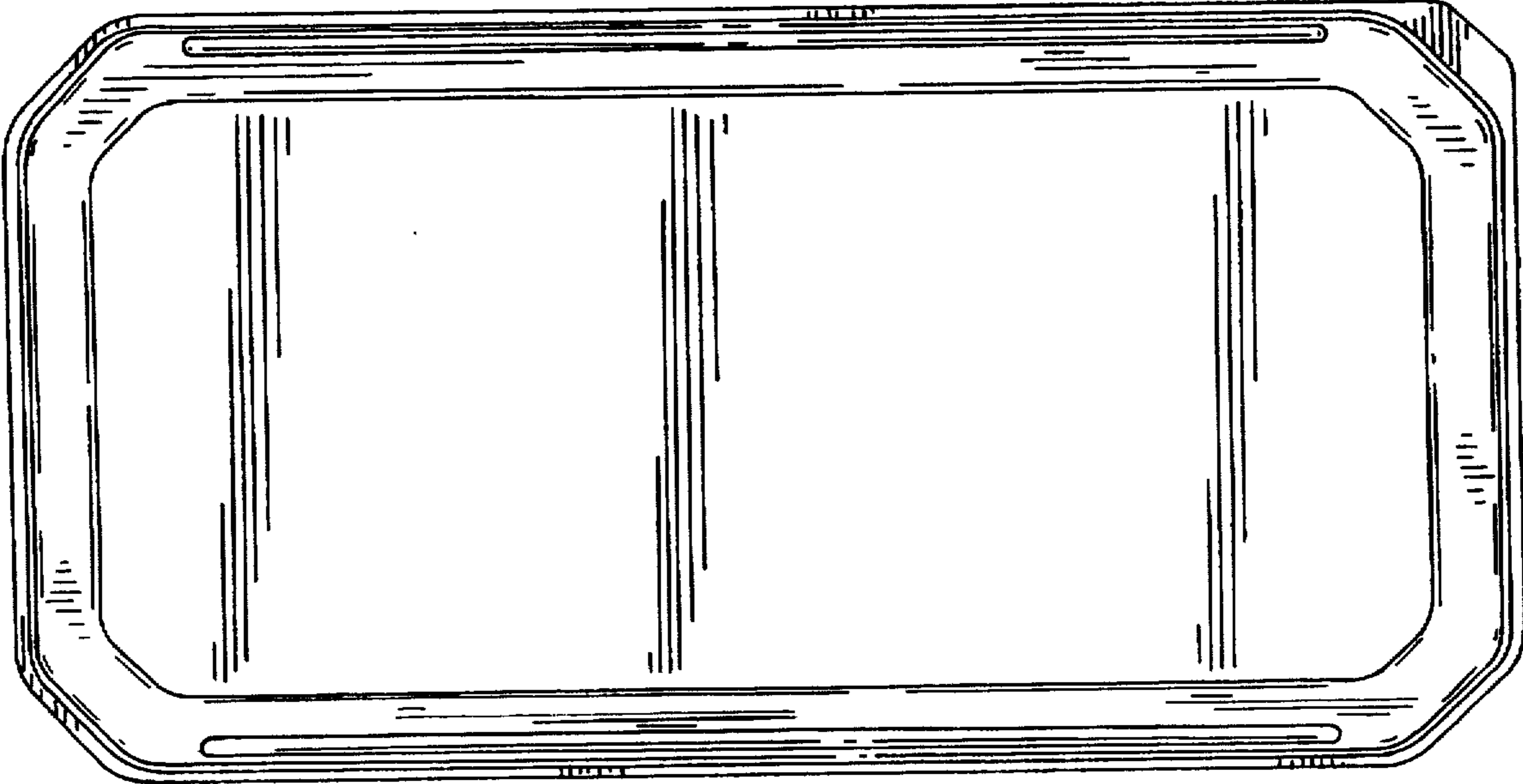


FIG. 10