



US00D397548S

United States Patent [19]

Peck

[11] Patent Number: **Des. 397,548**

[45] Date of Patent: ****Sep. 1, 1998**

[54] **BODY WORN STORAGE POUCH**

[76] Inventor: **Lawrence Peck**, P.O. Box 345, Park City, Utah 84060

[**] Term: **14 Years**

[21] Appl. No.: **45,294**

[22] Filed: **Oct. 16, 1995**

[51] LOC (6) Cl. **03-01**

[52] U.S. Cl. **D3/215**

[58] Field of Search D3/215, 224, 226, D3/229; 224/218, 219, 222, 267, 901; D22/117; 2/159, 160, 161, 161.1; 222/183

[56] **References Cited**

U.S. PATENT DOCUMENTS

D. 249,592	9/1978	Libonati	D3/226
D. 340,806	11/1993	Gonzalez	D3/226
D. 343,518	1/1994	Saggese, Jr.	D3/215
D. 354,840	1/1995	Geisler	D2/612
D. 359,154	6/1995	Goodson	D2/614
D. 369,453	5/1996	Robbins	D22/117 X

D. 369,893	5/1996	Thrusell	D2/612
4,896,378	1/1990	Campana	2/170
5,154,506	10/1992	Leard	224/222 X

Primary Examiner—Doris V. Coles
Assistant Examiner—Catherine R. Oliver
Attorney, Agent, or Firm—Harold H. Dutton, Jr.; Diane F. Liebman

[57] **CLAIM**

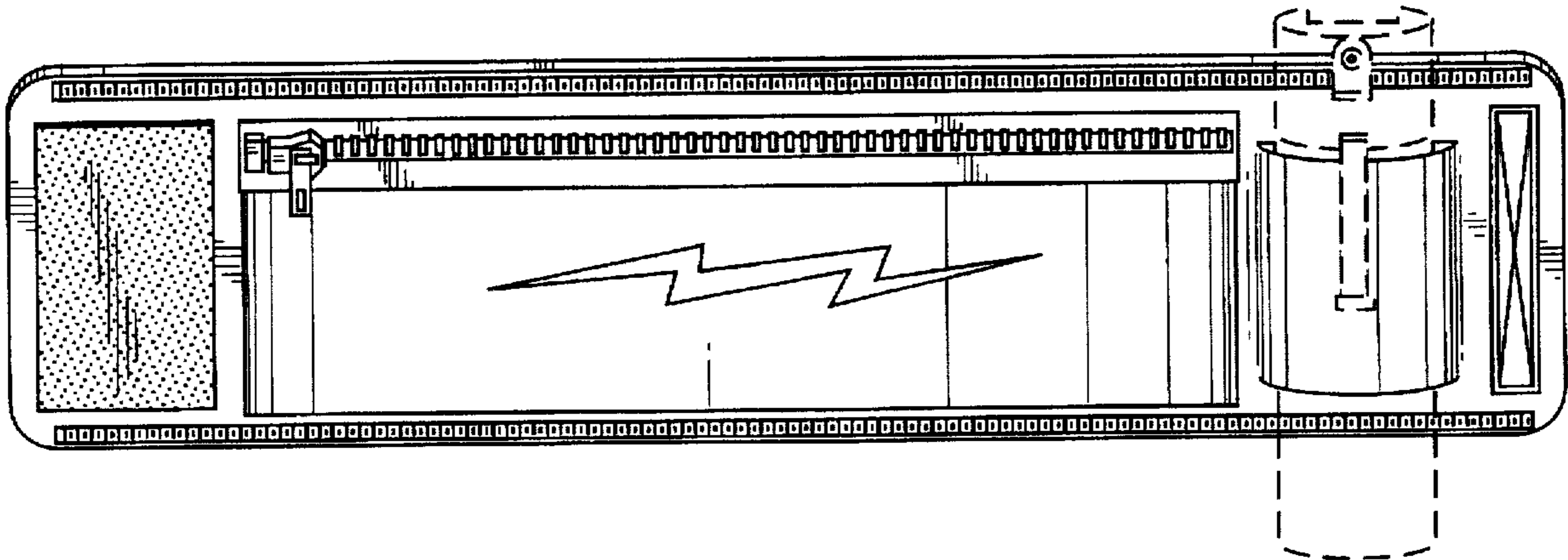
The ornamental design for a body worn storage pouch, as shown.

DESCRIPTION

FIG. 1 is a front elevational view of a body worn storage pouch showing my new design;
FIG. 2 is a rear elevational view thereof;
FIG. 3 is a top plan view thereof;
FIG. 4 is a bottom plan view thereof;
FIG. 5 is a left side view thereof; and
FIG. 6 is a right side view.

The item shown in broken lines is for illustrative purposes only and forms no part of the claimed design.

1 Claim, 2 Drawing Sheets



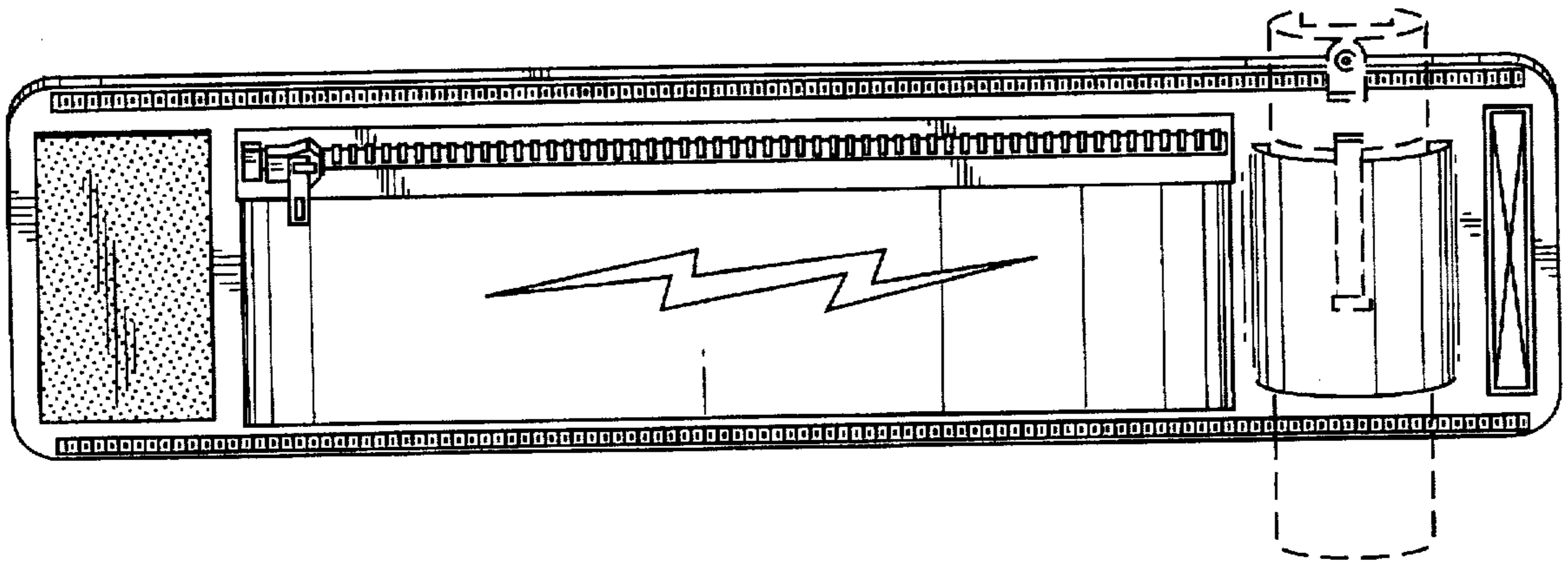


FIG. 1

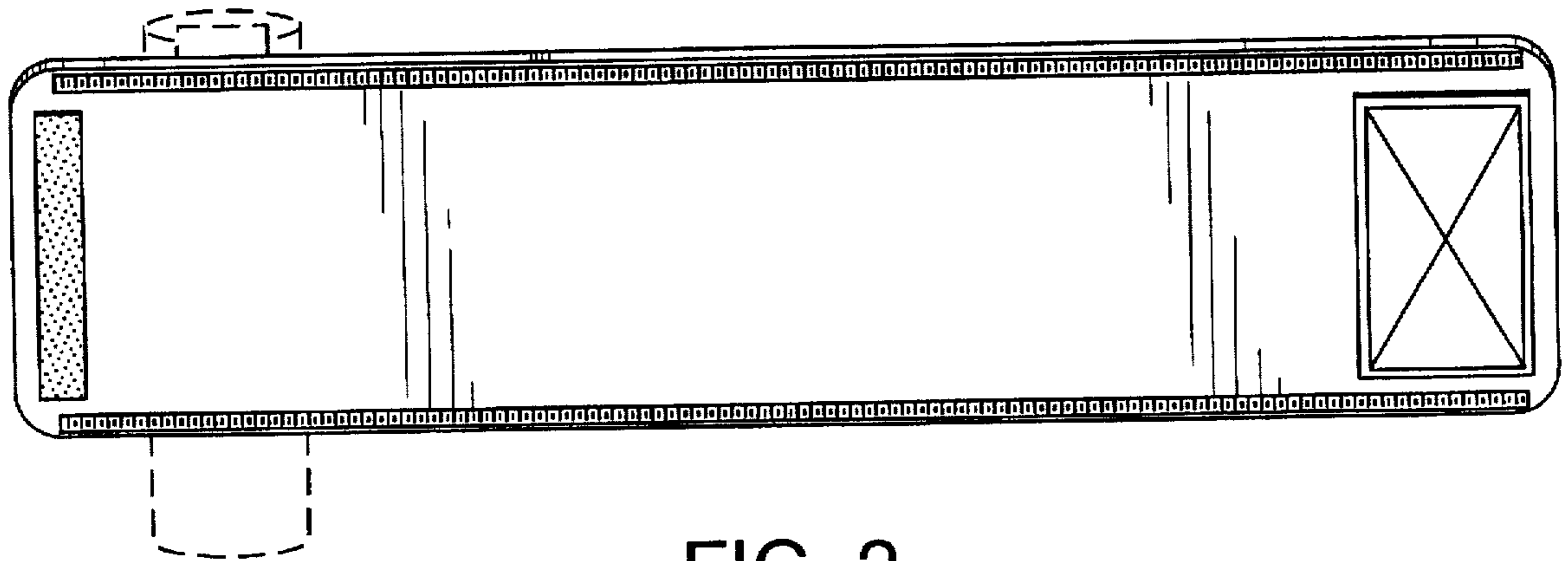


FIG. 2

FIG. 3

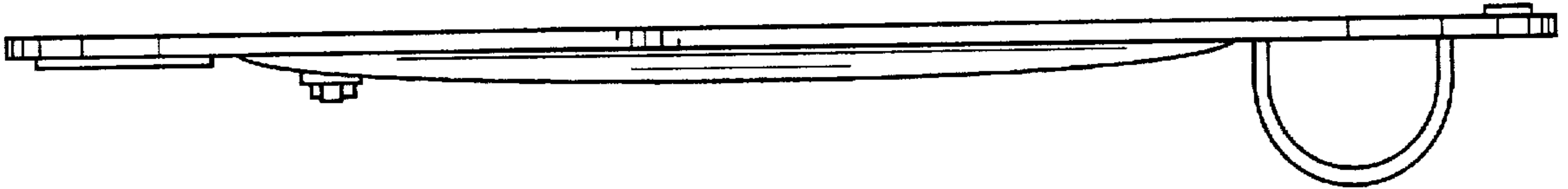


FIG. 4

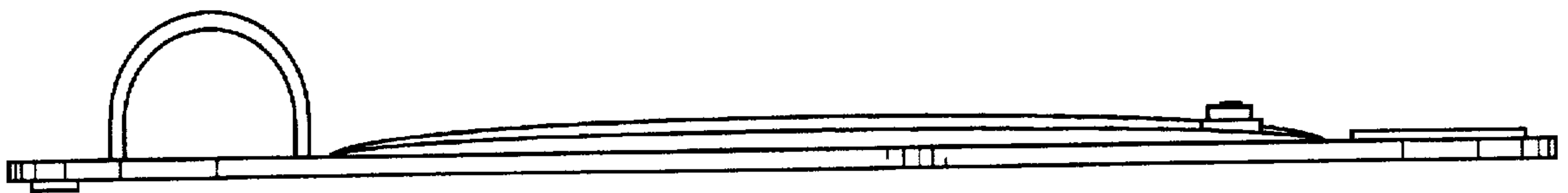


FIG. 5

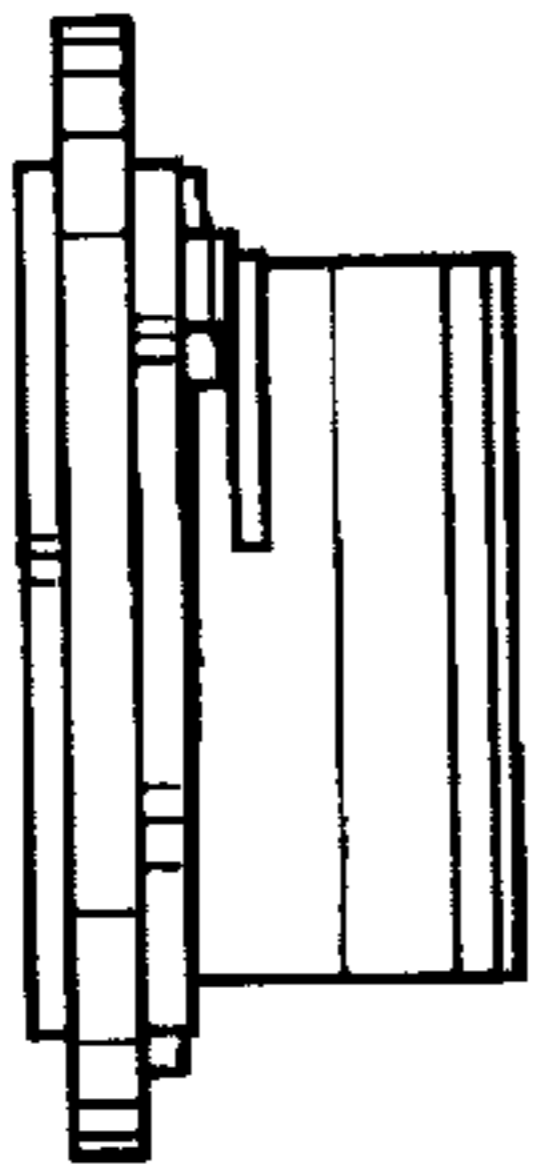


FIG. 6

