



US00D397547S

United States Patent [19]

Goodwin et al.

[11] Patent Number: **Des. 397,547**

[45] Date of Patent: ****Sep. 1, 1998**

[54] **PEN/PENCIL CASE**

3,286,750 11/1966 Hueber et al. 206/5
5,020,662 6/1991 Aida 206/214

[75] Inventors: **David Malcolm Goodwin**, Surrey;
Nicholas Mernor Hamnett, Epsom,
both of United Kingdom

Primary Examiner—Louis S. Zarfaz
Assistant Examiner—Monica A. Weingart
Attorney, Agent, or Firm—Paul I. Douglas; David A.
Howley

[73] Assignee: **Parker Pen Products**, Isleworth,
England

[57] **CLAIM**

[**] Term: **14 Years**

The ornamental design for the pen/pencil case, as shown.

[21] Appl. No.: **56,262**

DESCRIPTION

[22] Filed: **Jun. 18, 1996**

[51] LOC (6) Cl. **03-01**

[52] U.S. Cl. **D3/206; D3/201**

[58] Field of Search D3/201, 206; 150/147;
190/111; 206/5, 5 R, 214, 815; 220/324,
339; 383/8

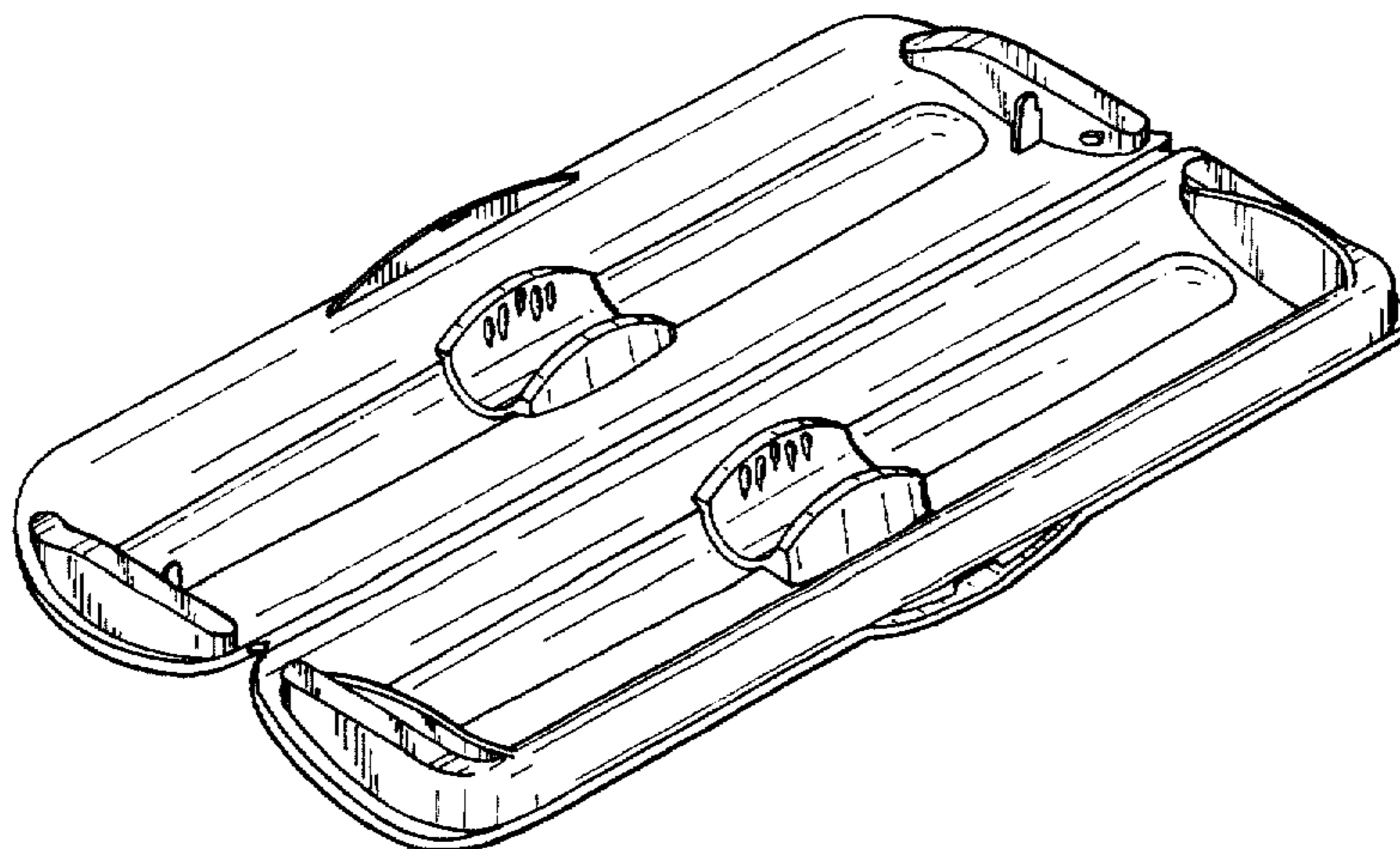
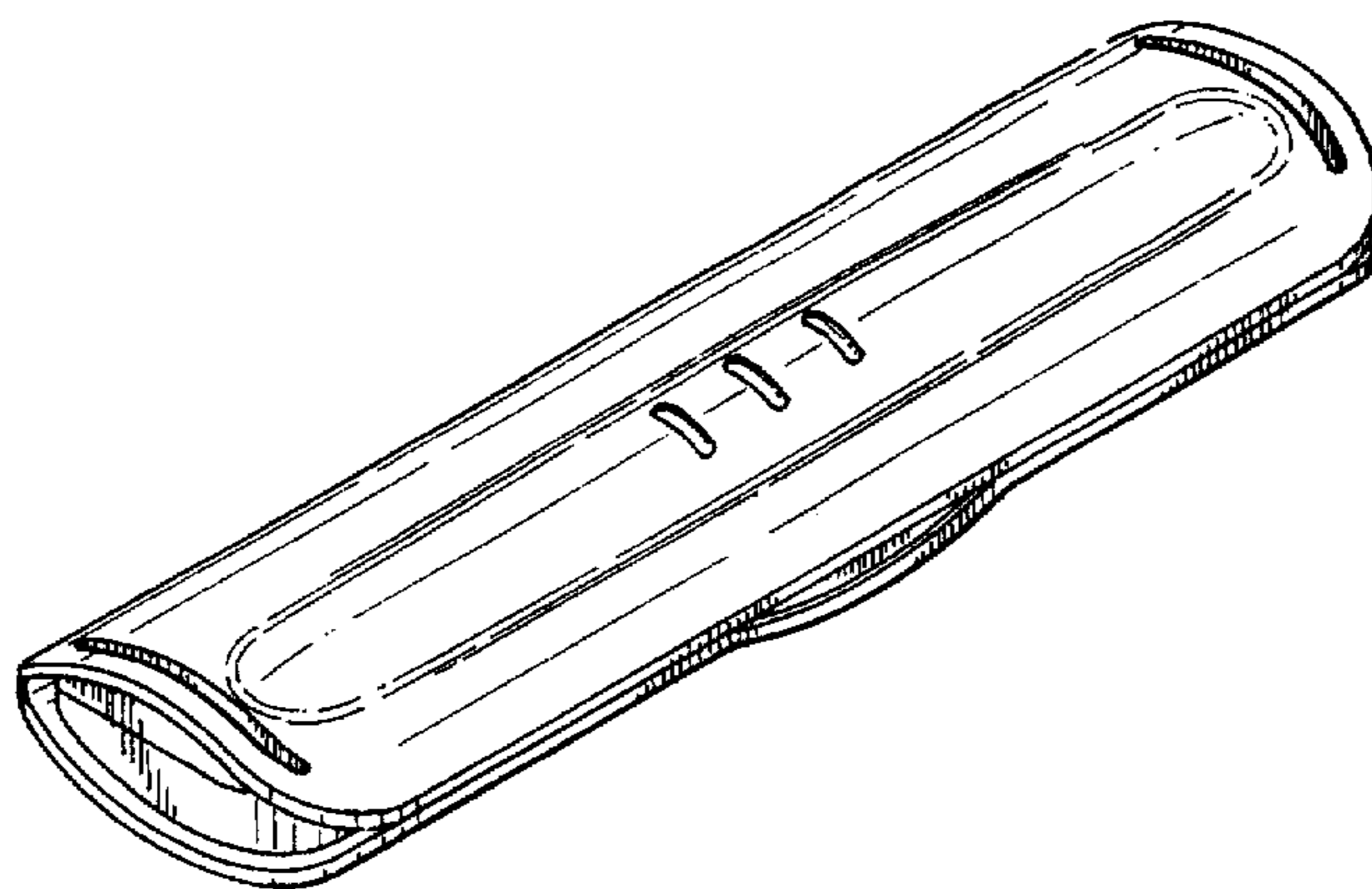
FIG. 1 is a top, front, right side perspective view of the pen/pencil case showing our new design;
FIG. 2 is a right side view thereof, the left side view being a mirror image;
FIG. 3 is a front elevational view thereof;
FIG. 4 is a rear elevational view thereof;
FIG. 5 is a top plan view thereof;
FIG. 6 is a bottom plan view thereof;
FIG. 7 is a perspective view of the pen/pencil case of FIG. 1 in the open condition;
FIG. 8 is a top plan view of the pen/pencil case in FIG. 7; and
FIG. 9 is a bottom plan view of the pen/pencil case in FIG. 7.

[56] **References Cited**

U.S. PATENT DOCUMENTS

- D. 190,458 5/1961 Fleming D3/206
- D. 235,080 5/1975 Verona D3/206
- 271,817 2/1883 Dumke 206/214
- D. 277,297 1/1985 Jennings et al. D3/206 X
- 410,234 9/1889 Brihart 206/5 R

1 Claim, 4 Drawing Sheets



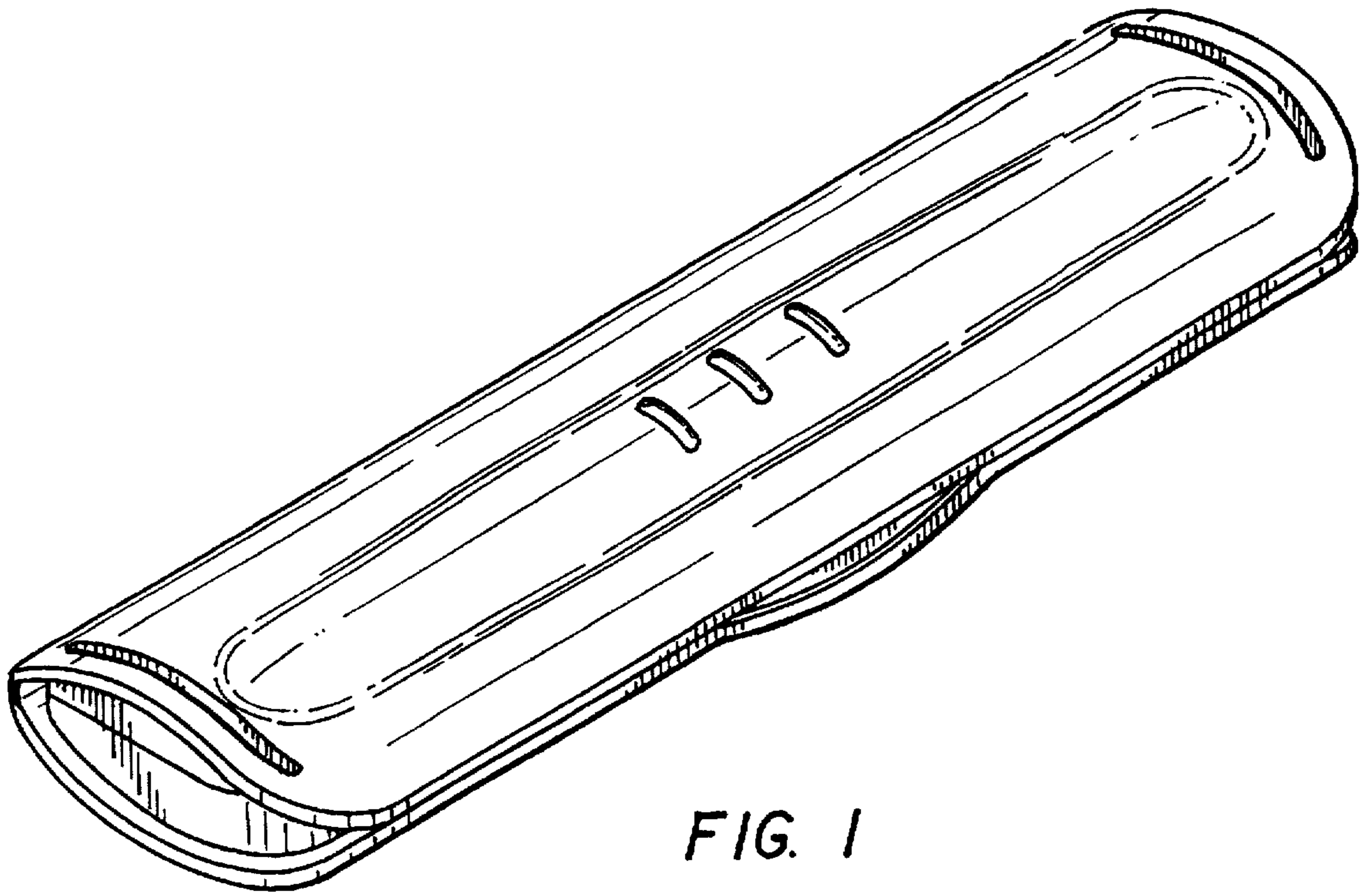


FIG. 1

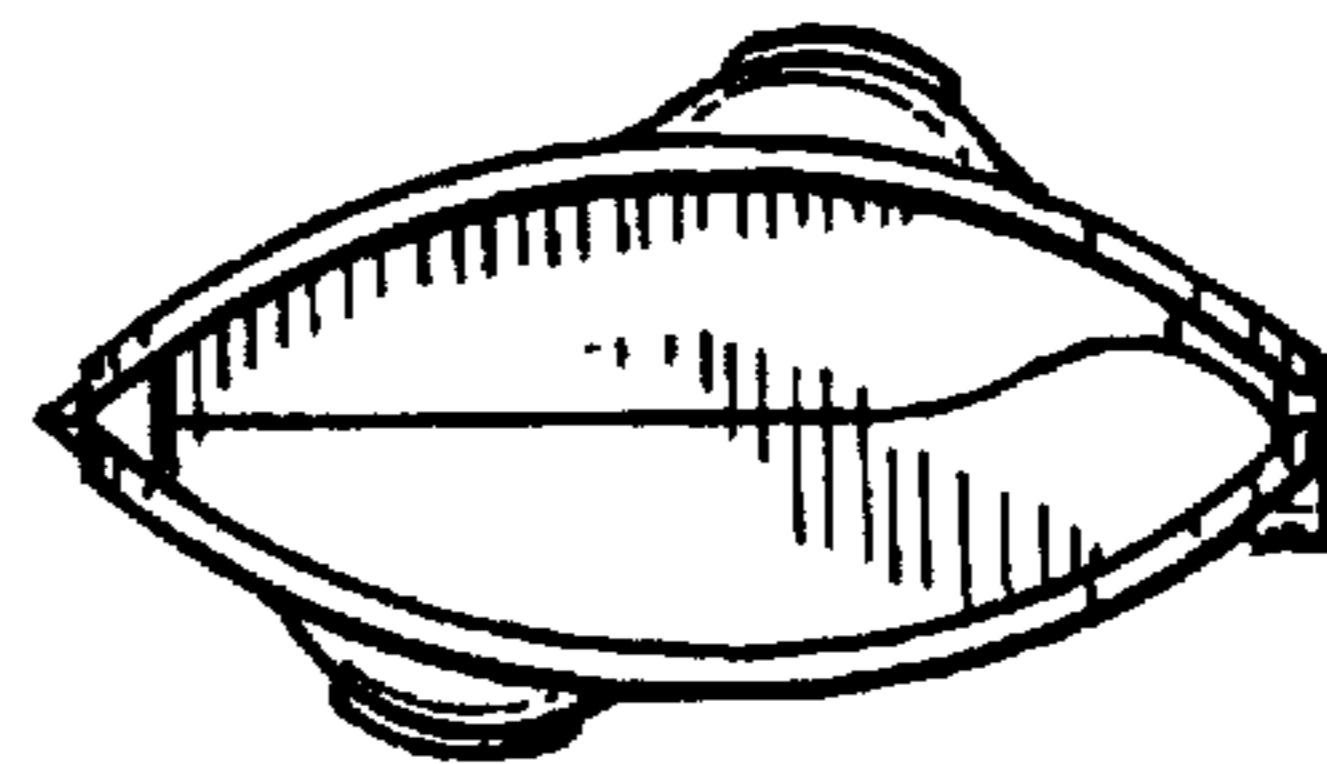


FIG. 2

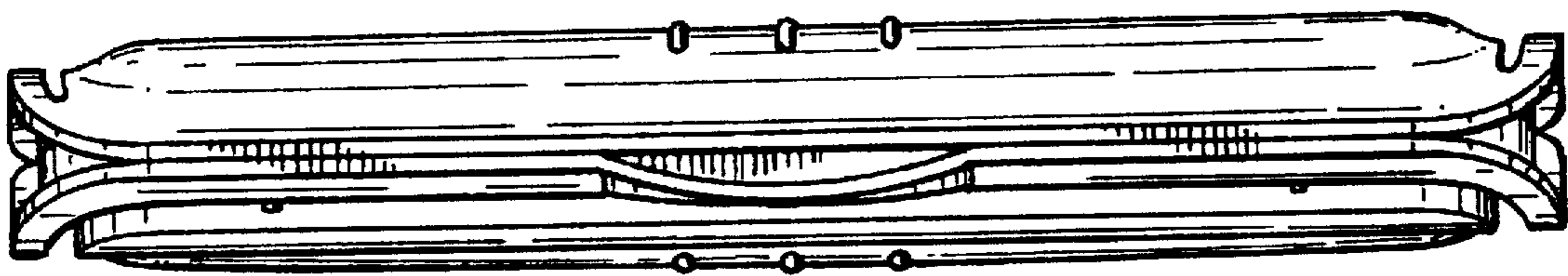


FIG. 3

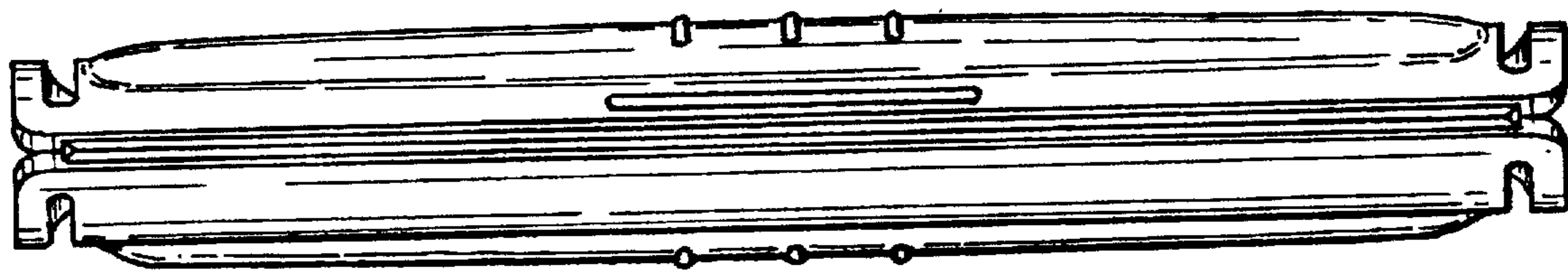


FIG. 4

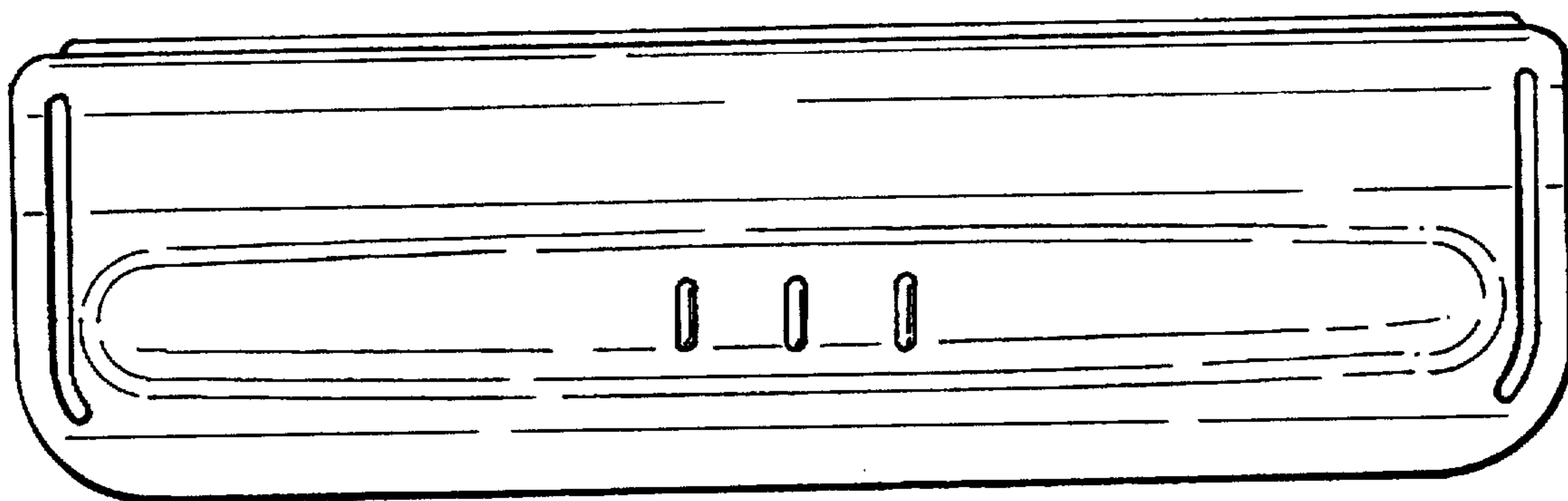


FIG. 5

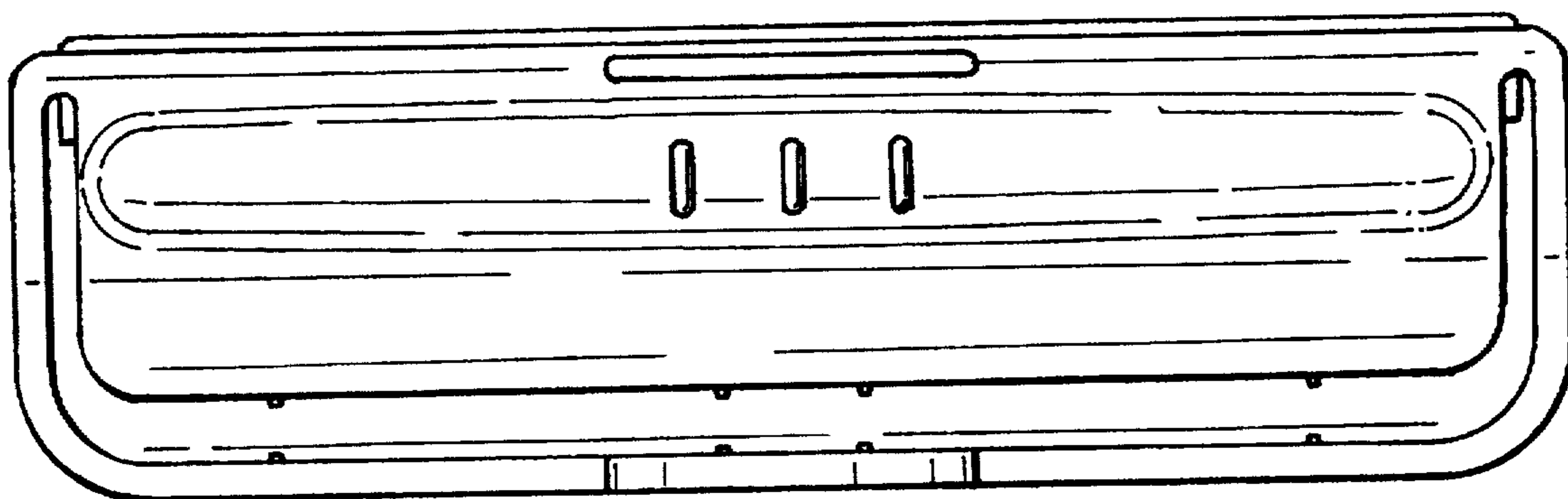


FIG. 6

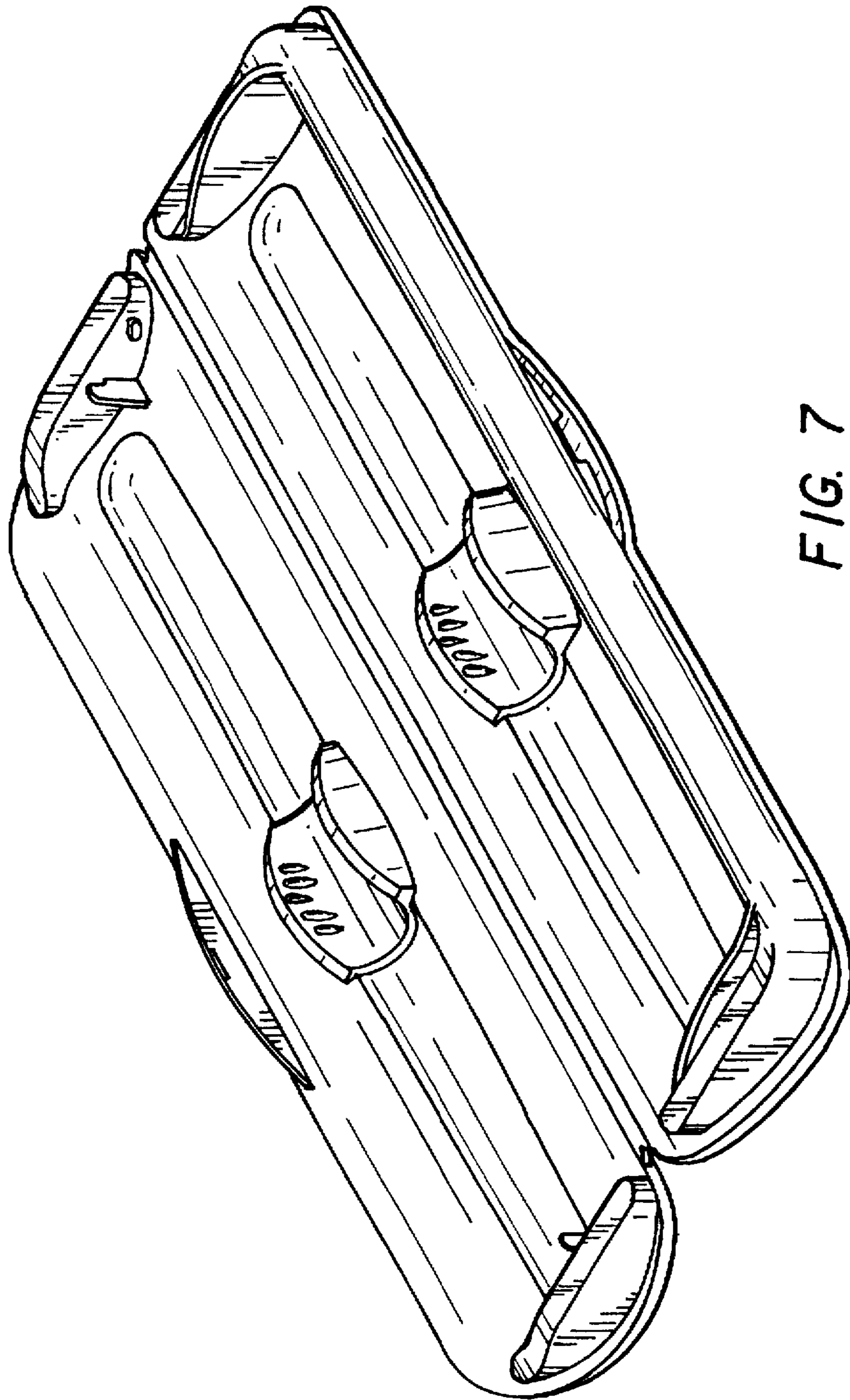


FIG. 7

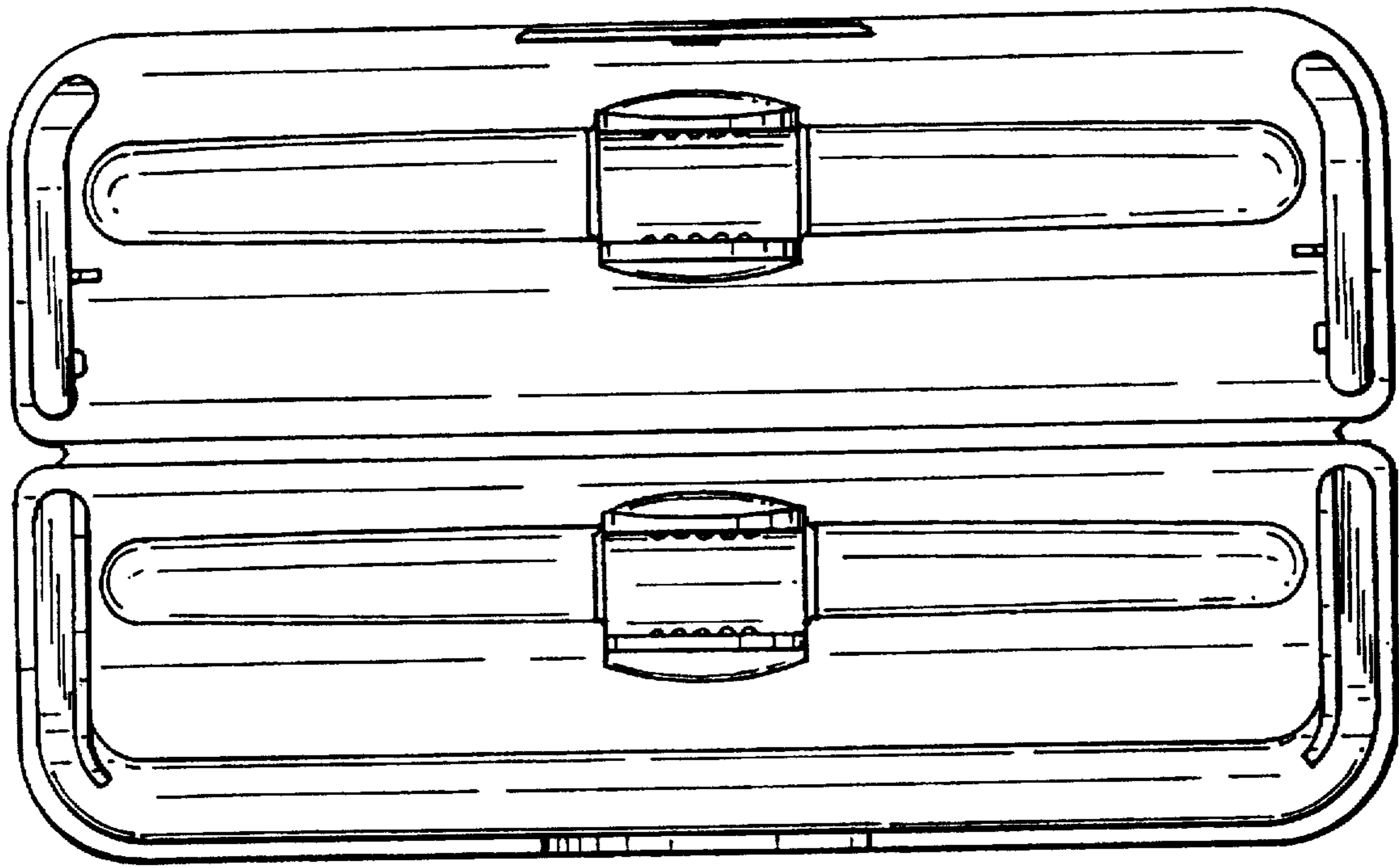


FIG. 8

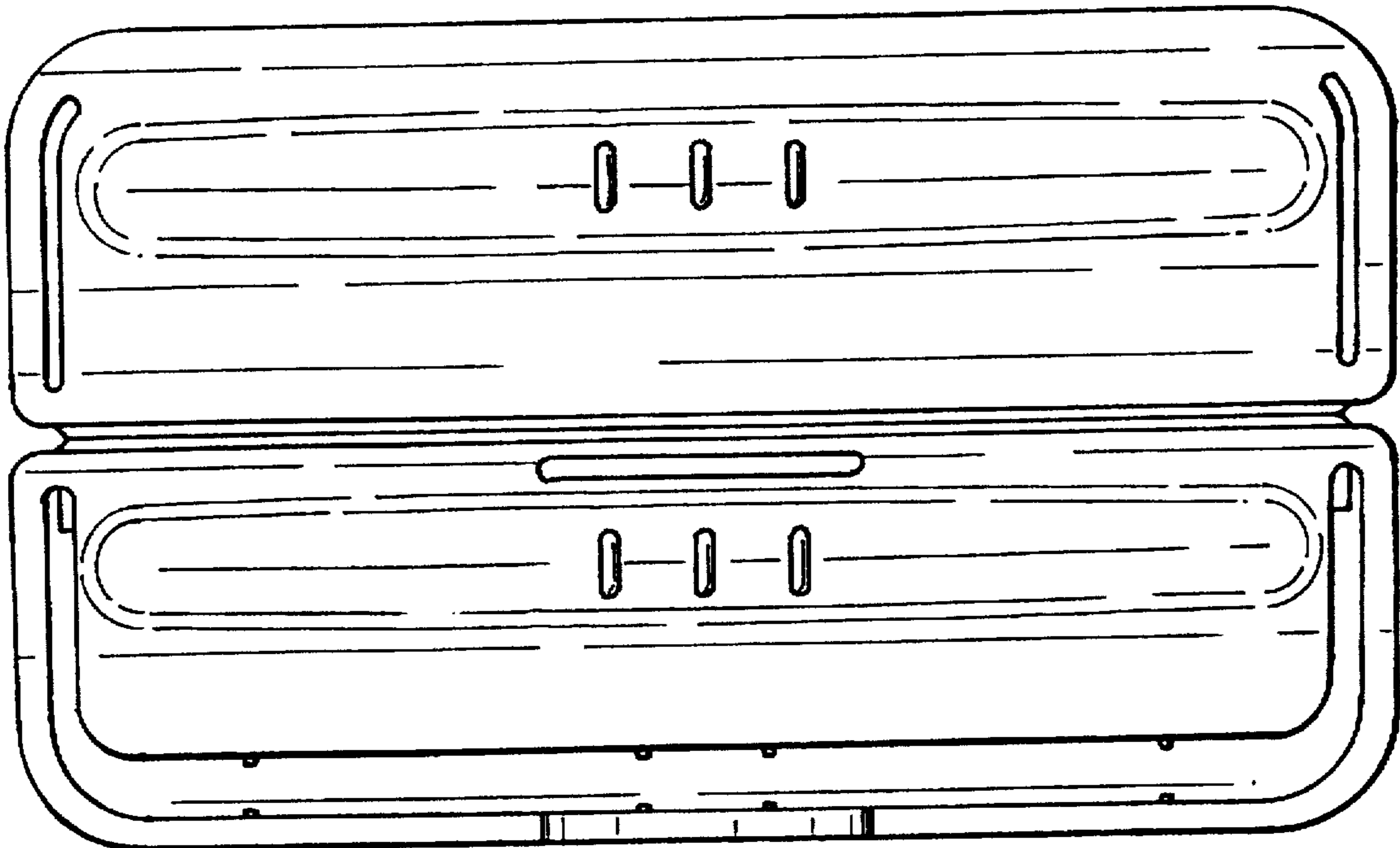


FIG. 9