



US00D397529S

United States Patent [19]

[11] Patent Number: Des. 397,529

Fuller et al.

[45] Date of Patent: **Aug. 25, 1998

[54] **HUMMINGBIRD FEEDER**

[75] Inventors: **John M. Fuller**, Apple Creek; **Steven L. Paletti**; **Oren Shai**, both of Columbus, all of Ohio

[73] Assignee: **Rubbermaid Specialty Products, Inc.**, Wooster, Ohio

[**] Term: **14 Years**

[21] Appl. No.: **62,299**

[22] Filed: **Nov. 12, 1996**

[51] LOC (6) Cl. **30-03**

[52] U.S. Cl. **D30/124**

[58] Field of Search D30/108-112, D30/121, 123-128, 161; 119/329, 416, 428, 429, 433, 434, 435, 452, 482, 57.8, 57.9, 52.2, 52.3, 51.03, 52.1, 69.5, 74, 484, 496

[56] **References Cited**

U.S. PATENT DOCUMENTS

D. 241,860	10/1976	Calamia .	
D. 252,288	7/1979	Kilham .	
D. 329,722	9/1992	Embree	D30/124
D. 331,647	12/1992	Embree	D30/124
D. 360,710	7/1995	Colwell	D30/124
D. 380,878	7/1997	Brown	D30/124
4,691,665	9/1987	Hefner	119/57.8
4,712,512	12/1987	Schreib et al.	119/52.2
5,062,390	11/1991	Bescherer et al.	119/72
5,269,258	12/1993	Brown	119/57.9

OTHER PUBLICATIONS

Briggs Associate Inc. brochure for Model #S-53 Wild Strawberry Feeder; D30-125, Aug. 1995.

Advertisement, Hummingbird feeder; "Signatures" catalog, 19465 Brennan Avenue, Perris, California 92379, Publication date Jan. 27, 1993.

P. 37, Hummingbird feeder; "Signals" catalog, address unknown, Published at least as early as Apr. 4, 1991.

Advertisement, Hummingbird feeder; "United States Purchasing Exchange" catalog, address unknown. Publication date Spring, 1991.

Sell sheet, Hummingbird feeder; Angine Products, 9931 East Eugenia Drive, Tuscon, Arizona 85730. Publication date 1995.

P. 98, Hummingbird feeder; Walter Drake & Sons, 10 Drake Building, Colorado Springs, Colorado 80940. Publication date Winter, 1990.

Catalog page, Hummingbird feeders; Briggs Associates Inc., P. O. Box 29310, Thornton, Colorado 80229. Published at least as early as May, 1996.

Catalog page, Hummingbird feeders; Briggs Associates Inc., P. O. Box 29310, Thornton, Colorado 80229. Publication date 1995.

Catalog page, Hummingbird feeders; Perky-Pet Products Co., 2201 South Wabash Street, Denver, Colorado 80231. Published at least as early as May, 1996.

Catalog page, Hummingbird feeder; Perky-Pet Products Co., 2201 South Wabash Street, Denver, Colorado 80231. Publication date 1995.

Page 7, Hummingbird feeders; Hyde Bird Feeder Co., 56 Felton Street, P. O. Box 168, Waltham, Massachusetts 02254. Publication date Fall-Winter 1986-87.

(List continued on next page.)

Primary Examiner—Cathy Anne MacCormac
Attorney, Agent, or Firm—Richard B. O'Planick

[57] **CLAIM**

The ornamental design for a hummingbird feeder, as shown and described.

DESCRIPTION

FIG. 1 is a top right front perspective view of a hummingbird feeder showing our new design;

FIG. 2 is a left side elevational view thereof; the right side elevational view being a mirror image;

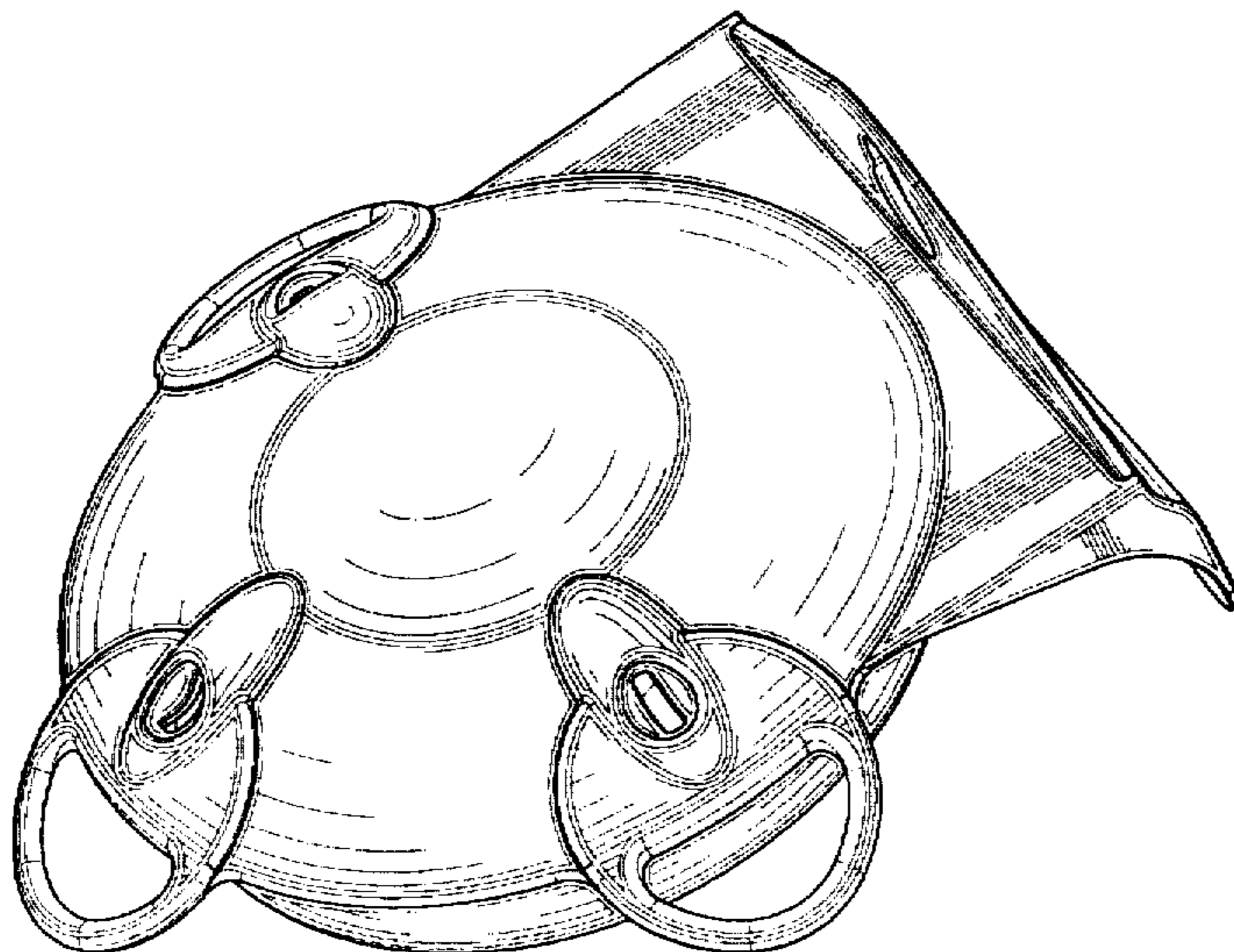
FIG. 3 is a front elevational view thereof;

FIG. 4 is a rear elevational view thereof;

FIG. 5 is a top plan view thereof; and,

FIG. 6 is a bottom plan view thereof.

1 Claim, 6 Drawing Sheets



OTHER PUBLICATIONS

Page 8, Hummingbird feeders; Hyde Bird Feeder Co., 56 Felton Street, P. O. Box 168, Waltham, Massachusetts 02254. Publication date January, 1990.

Catalog page, Hummingbird feeders; Hyde Bird Feeder Co., 56 Felton Street, P. O. Box 168, Waltham, Massachusetts 02254. Publication date Fall–Winter 1992–1993.

Page 8, Hummingbird feeders; Hyde Bird Feeder Co., 56 Felton Street, P. O. Box 168, Waltham, Massachusetts 02254. Publication date Fall–Winter 1992–93.

Catalog page, Hummingbird feeders; Yule–Hyde Associates Ltd., 4 Lowry Drive, Brampton, Ontario L7A 1C4. Published at least as early as May, 1996.

Page 10, Hummingbird feeders; Opus, Inc., P. O. Box 525, Bellingham, Massachusetts 02019. Publication date 1984.

Page 4, Hummingbird feeder; Opus, Inc., P. O. Box 525, Bellingham, Massachusetts 02019. Publication date June, 1990.

Page 3, Hummingbird feeders; Opus, Inc., P. O. Box 525, Bellingham, Massachusetts 02019. Publication date 1991.

Pages 6, 7, 8 and 9, Hummingbird feeders; Opus, Inc., P. O. Box 525, Bellingham, Massachusetts 02019. Publication date 1995.

Page 4 and 5, Hummingbird feeders; “Duncraft” catalog, Penacook, New Hampshire 03303. Publication date 1984.

Catalog page, Hummingbird feeders; “Duncraft” catalog, Penacook, New Hampshire 03303. Publication date January, 1980.

Sell sheet, Hummingbird feeder; Rubbermaid Incorporated, 1147 Akron Road, Wooster, Ohio 44691. Publication date 1984.

Catalog page, Hummingbird feeder; Rubbermaid Incorporated, Specialty Products Division, 1147 Akron Road, Wooster, Ohio 44691. Publication date February, 1989.

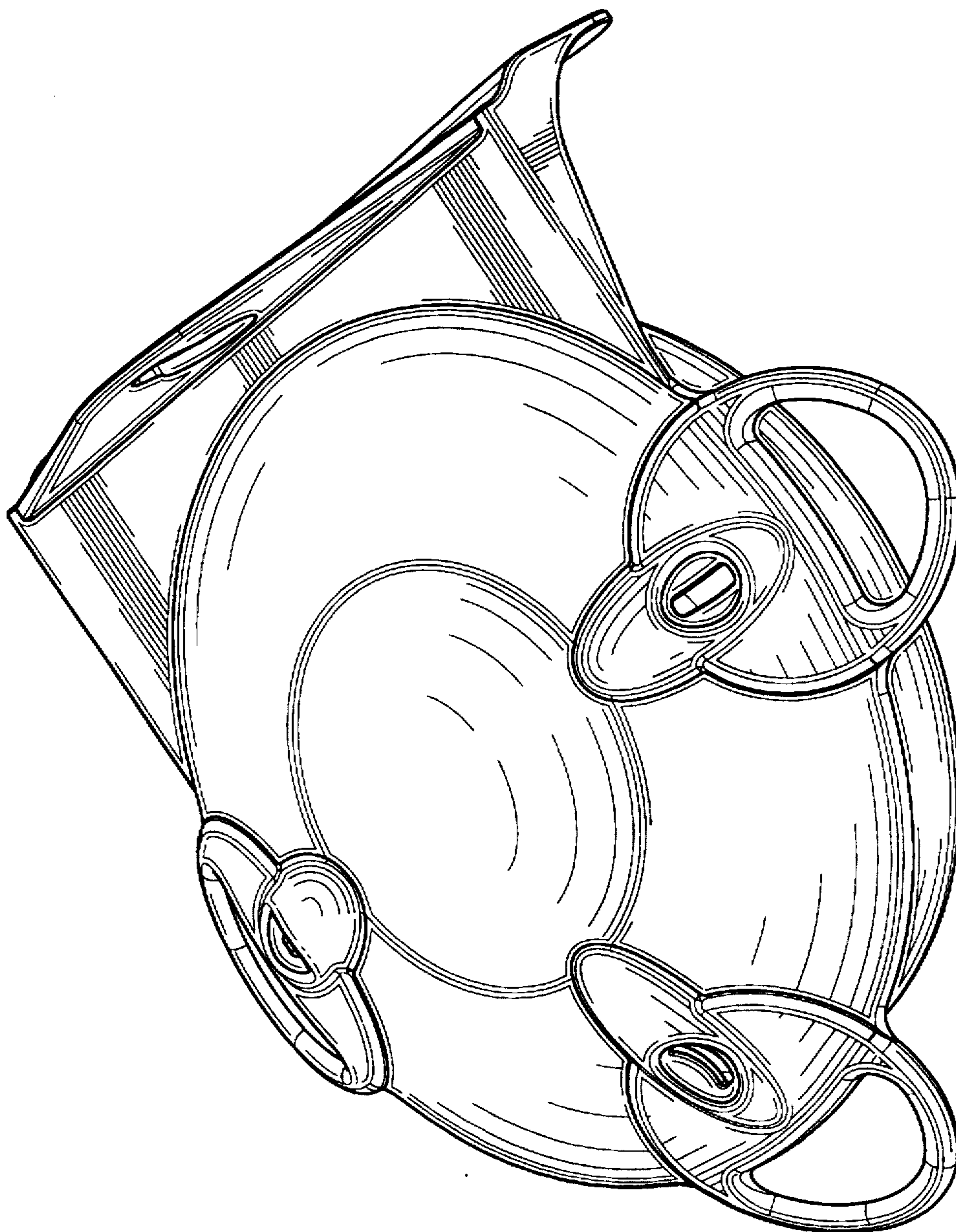


FIG. 1

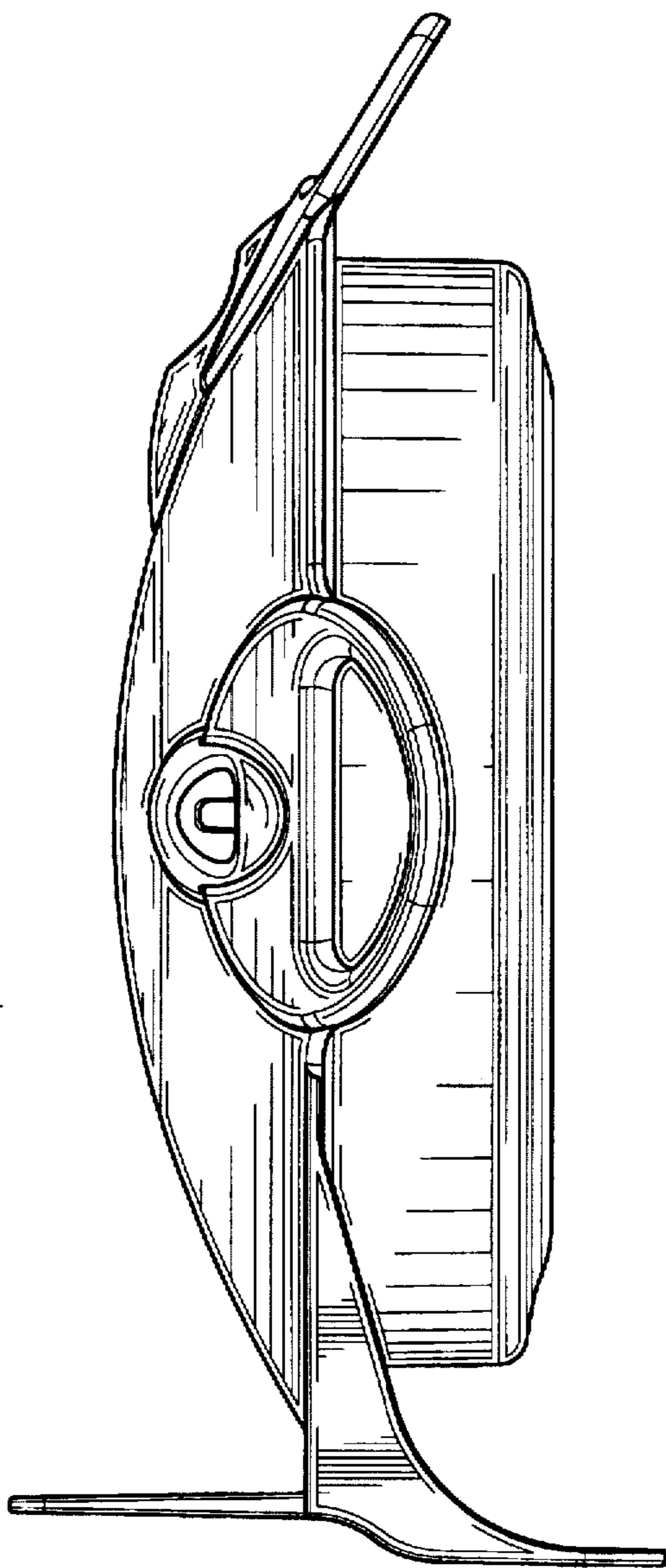


FIG. 2

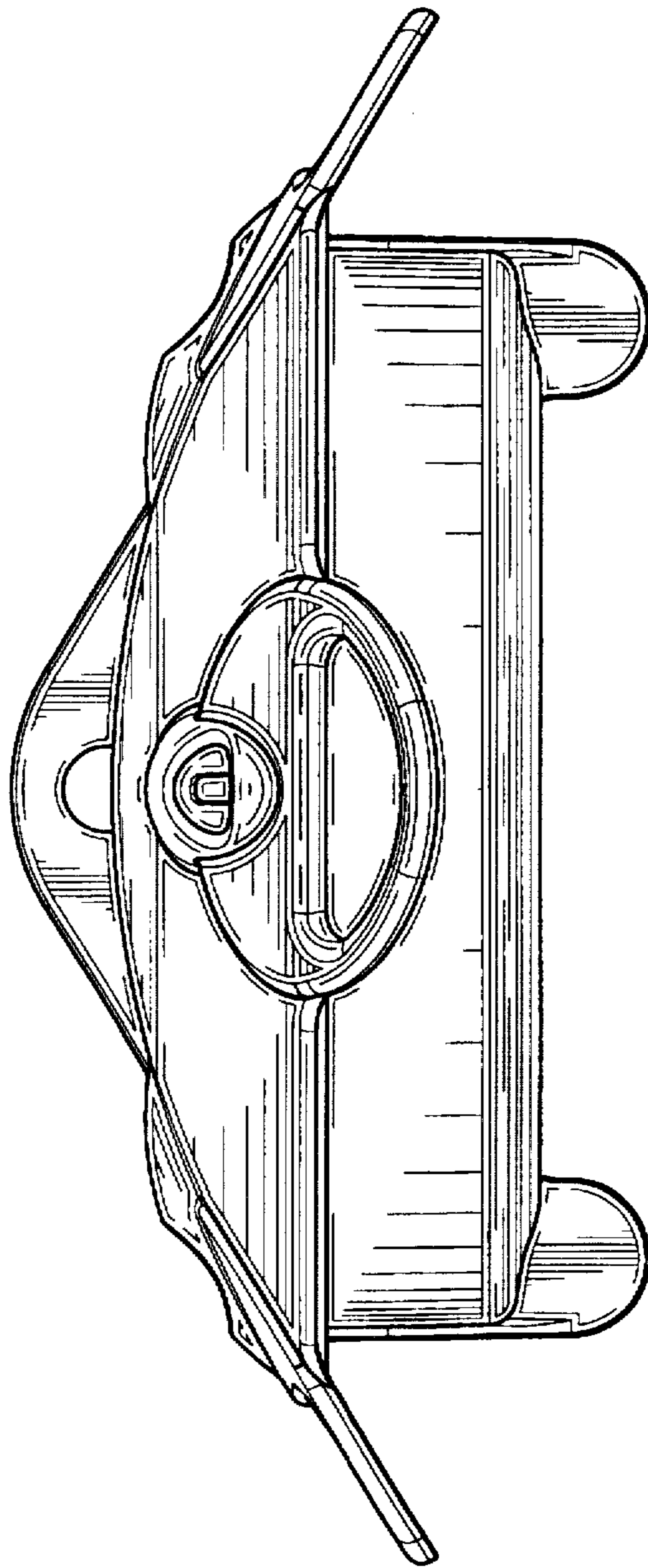


FIG. 3

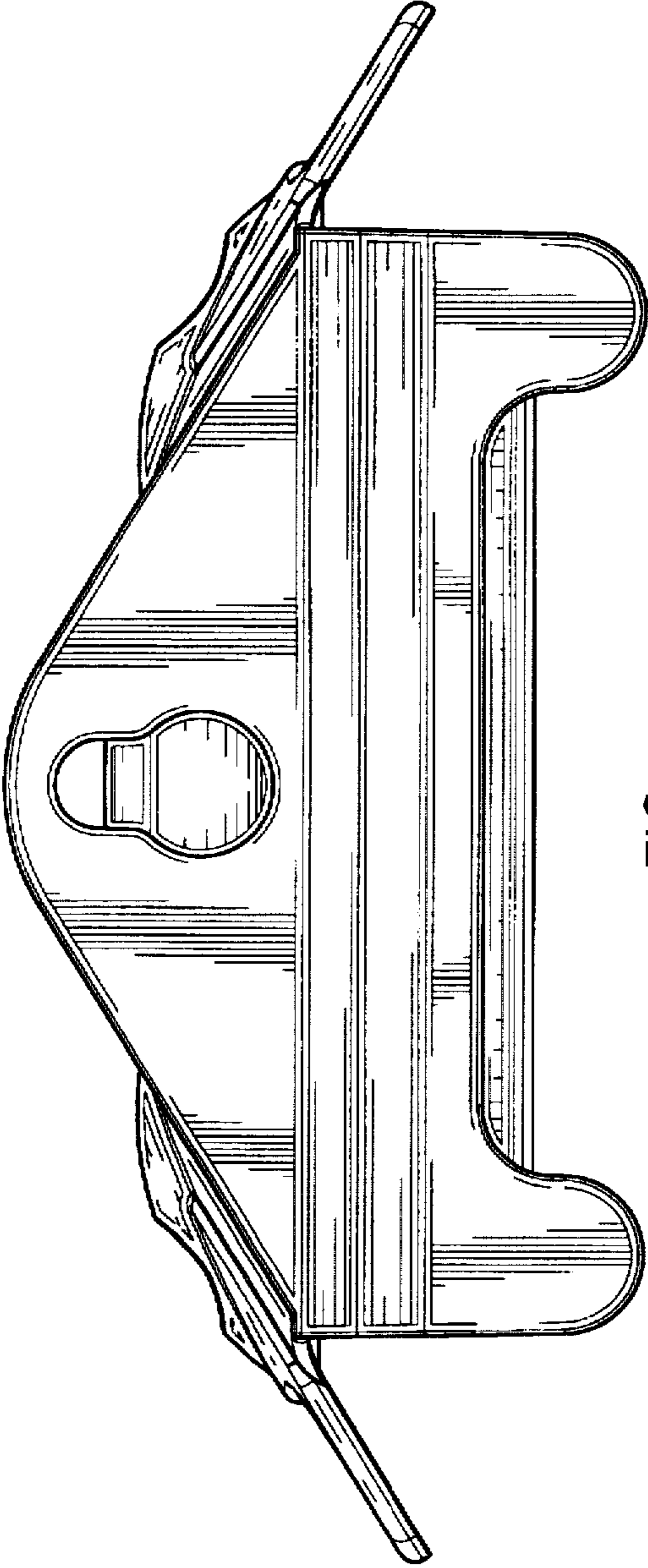


FIG. 4

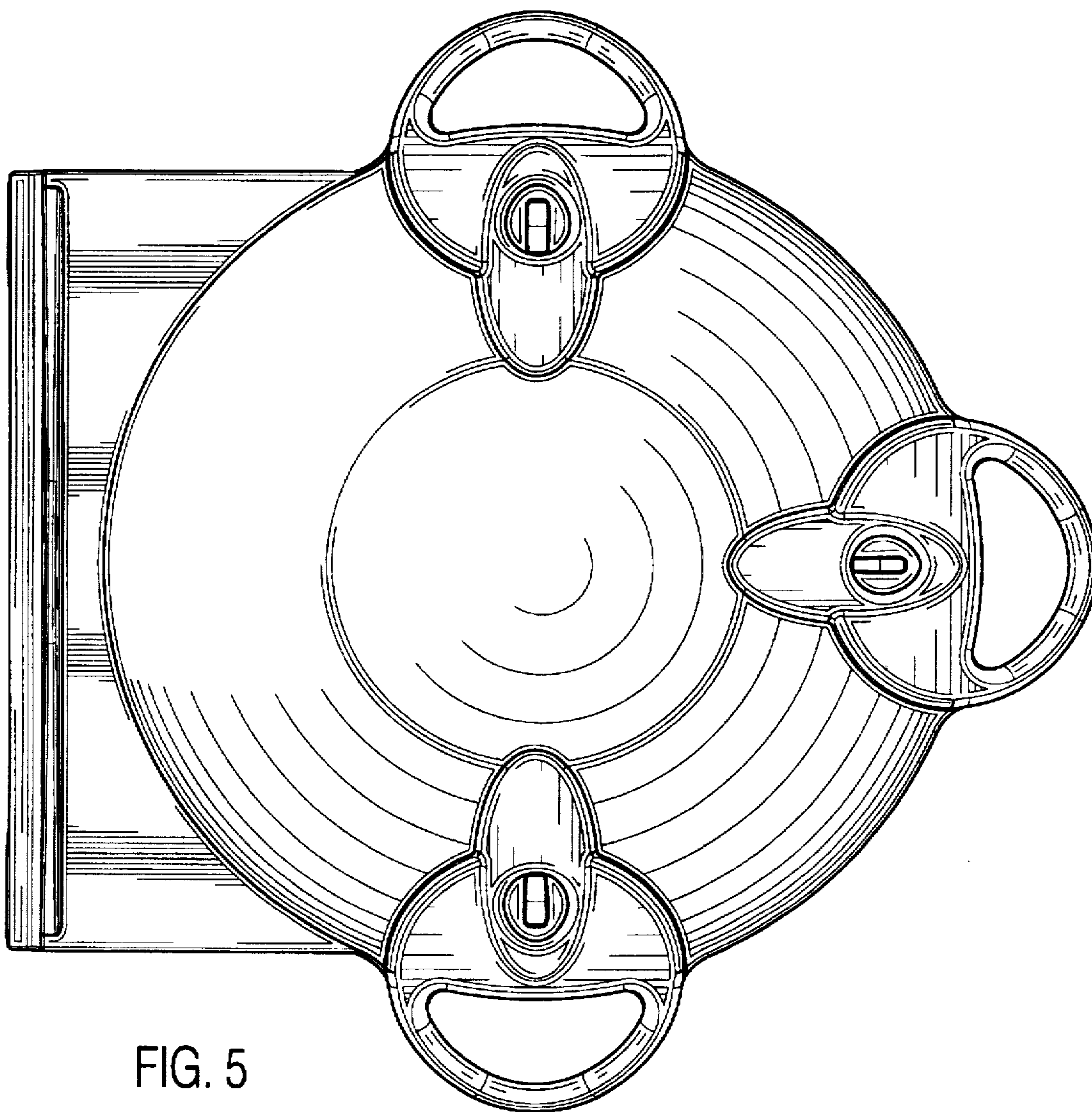


FIG. 5

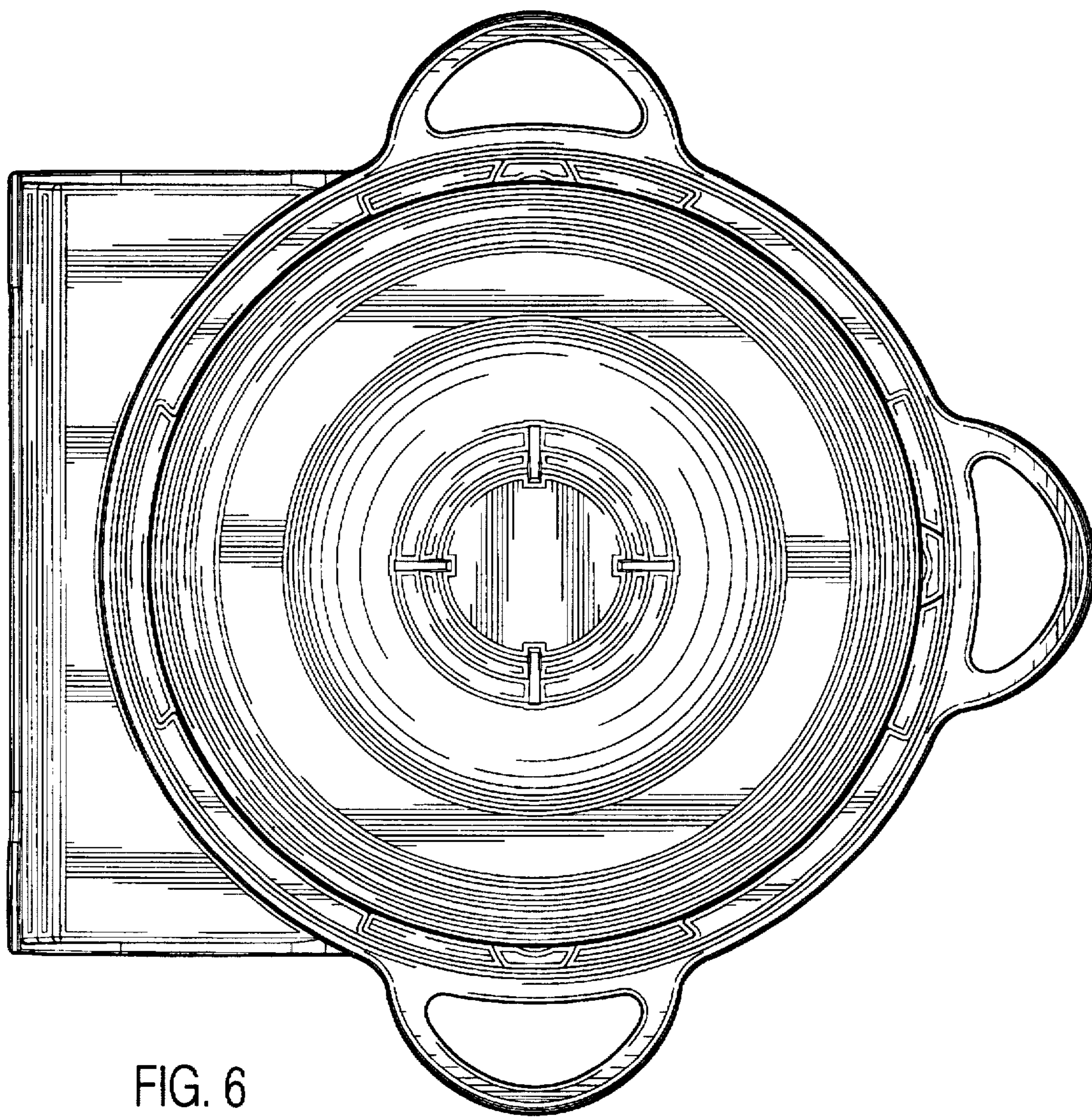


FIG. 6