



US00D397528S

# United States Patent [19] Mowry

[11] Patent Number: **Des. 397,528**

[45] Date of Patent: **\*\*Aug. 25, 1998**

[54] **OFF-SHORE FISH FEEDER**

[75] Inventor: **Wayne Mowry, Largo, Fla.**

[73] Assignee: **Brady Products, Inc., Clearwater, Fla.**

[\*\*] Term: **14 Years**

[21] Appl. No.: **71,187**

[22] Filed: **May 22, 1997**

[51] LOC (6) CL ..... **30-07**

[52] U.S. Cl. .... **D30/121**

[58] Field of Search ..... **D7/700; D30/108-109,  
D30/129-133, 119; 119/51.01, 51.04, 51.11-51.13,  
51.5, 52.2, 52.4, 54, 56.1, 61, 230, 223**

[56] **References Cited**

### U.S. PATENT DOCUMENTS

D. 273,793	5/1984	Nachatelo .....	D7/700
D. 320,481	10/1991	Sterner .....	D30/121
3,688,743	9/1972	Rack .....	119/51.04
3,738,328	6/1973	Hoday .	
3,741,163	6/1973	Bush .	
4,051,810	10/1977	Breit .....	119/51.04
4,065,870	1/1978	Muko .	
4,372,252	2/1983	Lowry, Jr. .	
4,628,864	12/1986	Smeltzer .	
5,003,925	4/1991	Roberts .....	119/51.01
5,143,289	9/1992	Gresham et al. ....	119/51.11
5,150,666	9/1992	Momont et al. ....	119/51.04
5,154,547	10/1992	Toung .....	119/51.04
5,174,239	12/1992	Sato .....	119/51.04

5,259,533	11/1993	Kornfein et al. ....	119/51.04
5,337,698	8/1994	Widnyer .....	119/51.04
5,400,542	3/1995	Johnson .	
5,438,958	8/1995	Ericsson .	
5,596,947	1/1997	Creppel .	

### FOREIGN PATENT DOCUMENTS

1020417	11/1977	Canada .....	119/51.04
0194692	3/1938	Switzerland .....	119/51.04
1026735	7/1983	U.S.S.R. ....	119/51.04
10309938	5/1987	U.S.S.R. ....	119/51.04
2091531	8/1982	United Kingdom .....	119/51.04

*Primary Examiner*—Cathy Anne MacCormac  
*Attorney, Agent, or Firm*—Woodard, Emhardt, Naughton,  
Moriarty & McNett

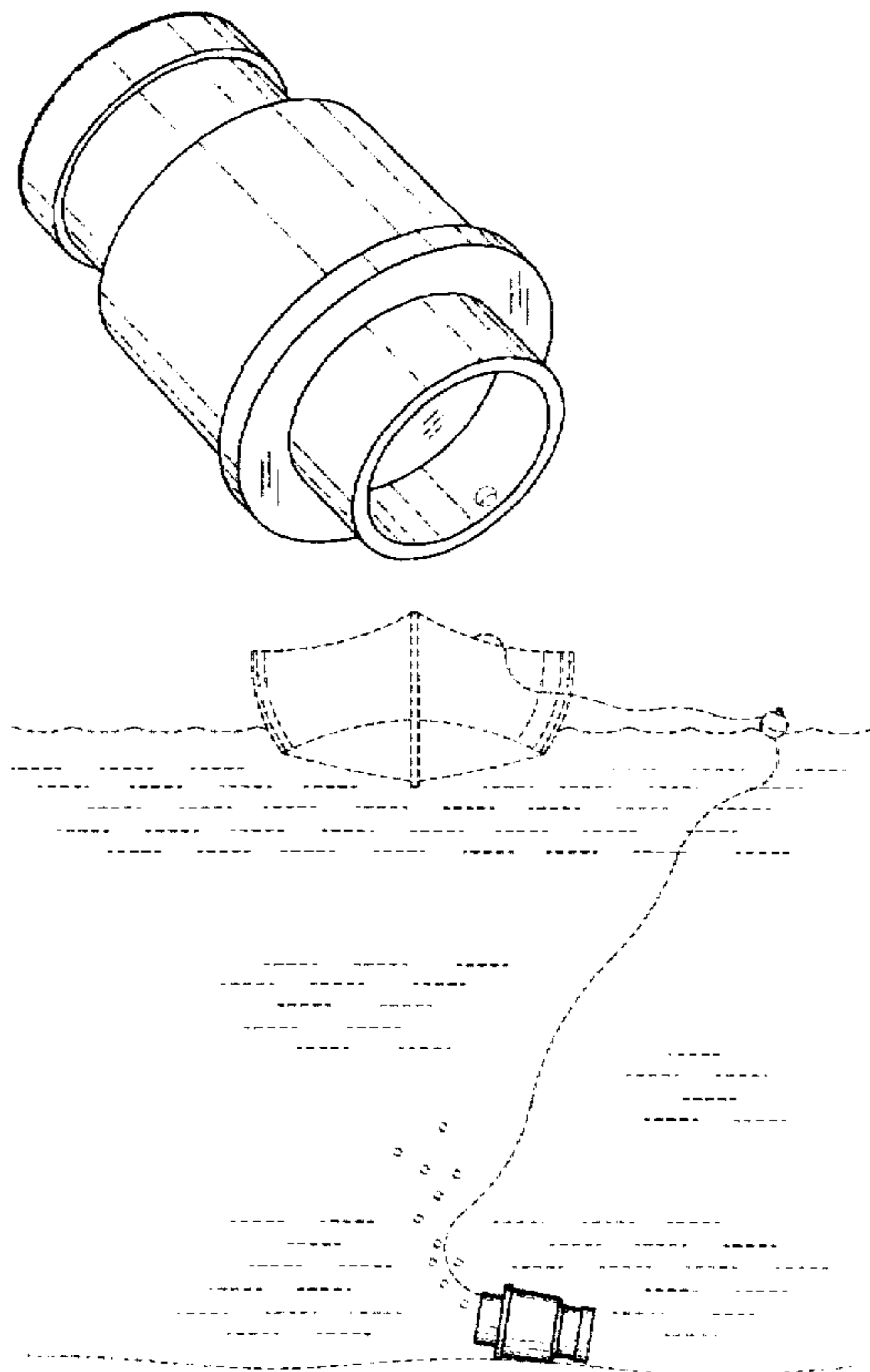
### [57] CLAIM

The ornamental design for an off-shore fish feeder, as shown and described.

### DESCRIPTION

FIG. 1 is an upper rear perspective view of an off-shore fish feeder showing my new design, both sides are identical to the rear;  
FIG. 2 is a lower rear perspective view thereof;  
FIG. 3 is a front elevational view thereof;  
FIG. 4 is a top plan view thereof;  
FIG. 5 is a bottom plan view thereof; and,  
FIG. 6 is a rear elevational view thereof, the broken lines are for illustration only and form no part of the claimed design.

**1 Claim, 3 Drawing Sheets**



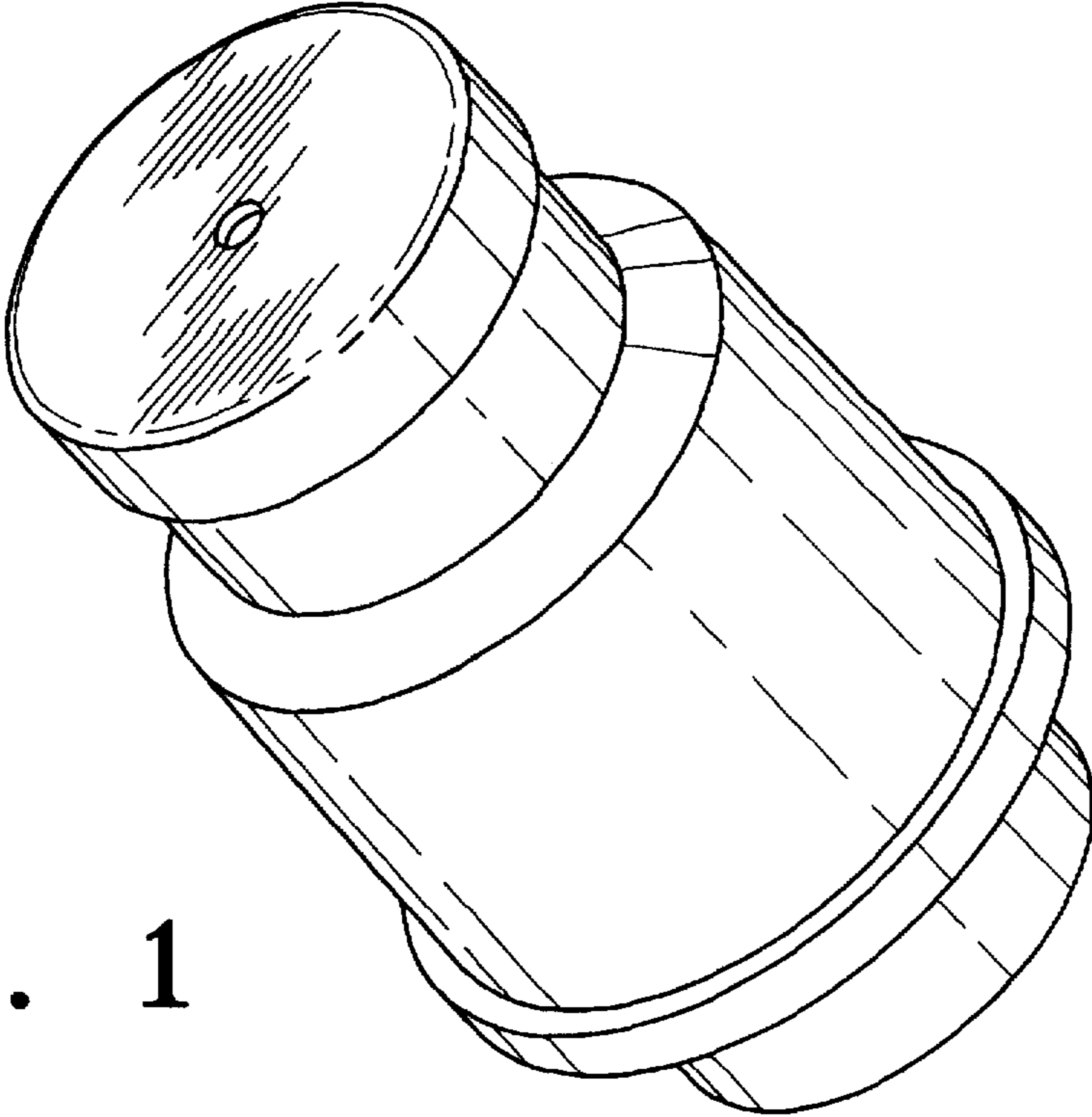


Fig. 1

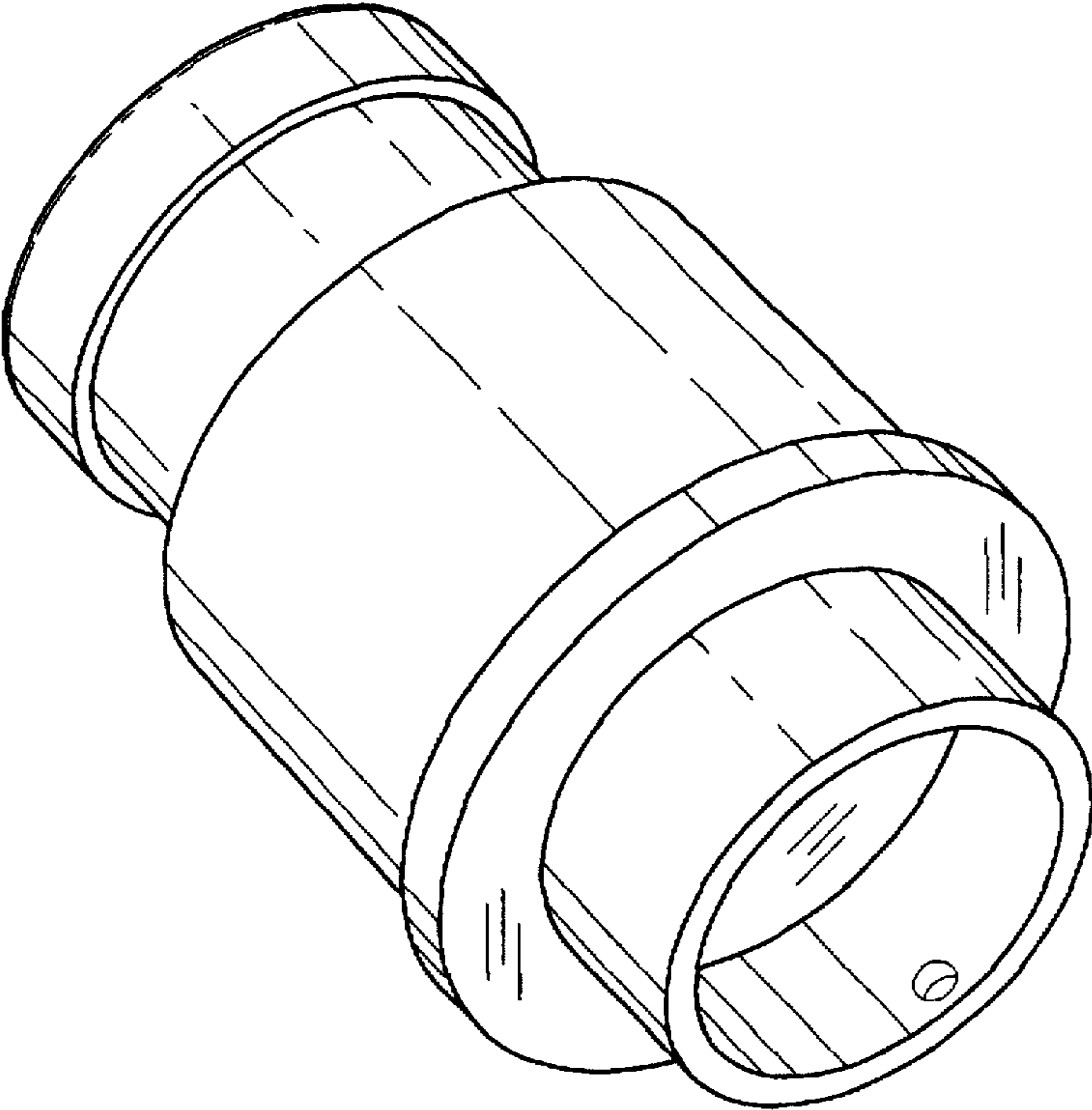


Fig. 2

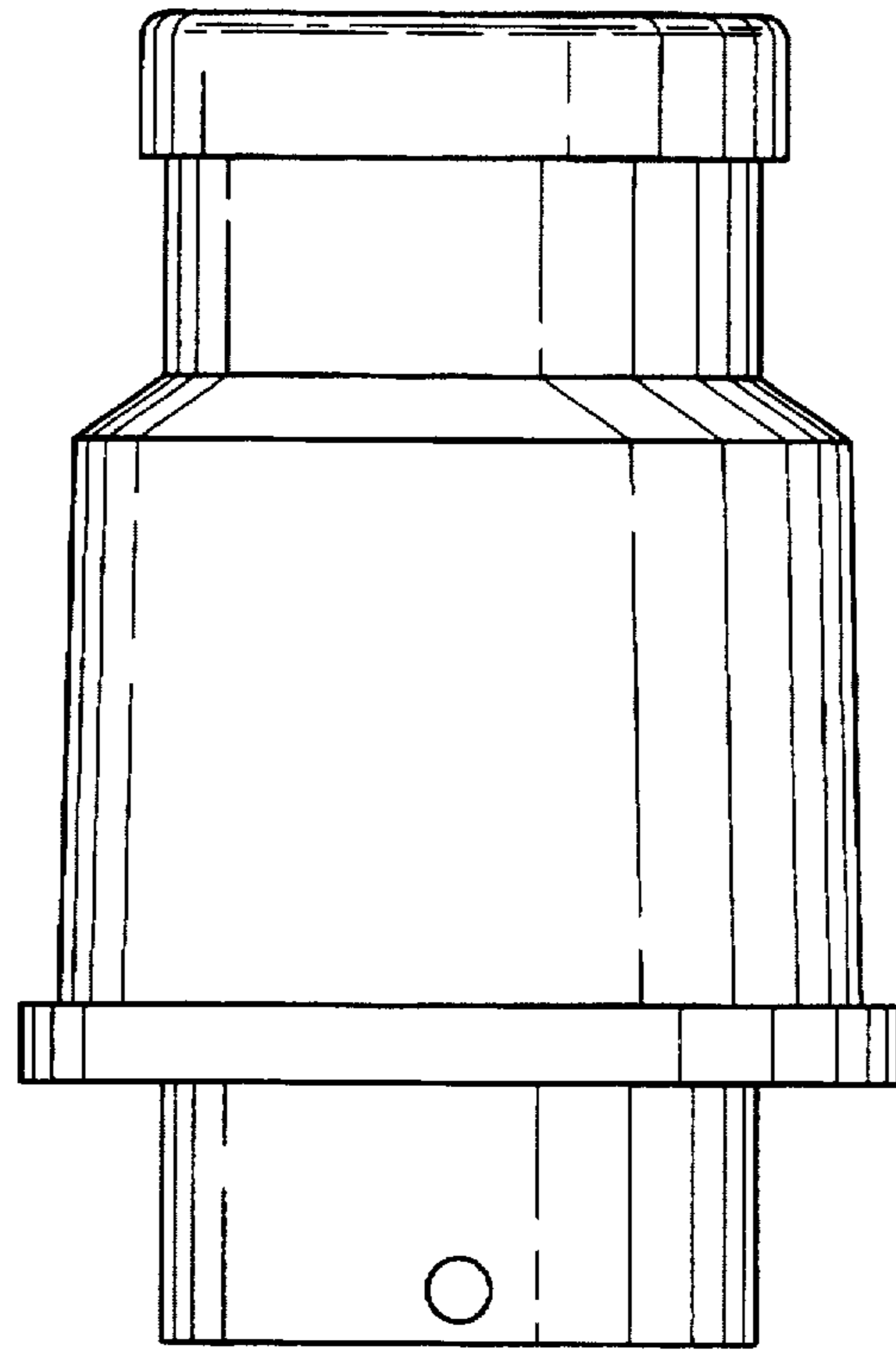


Fig. 3

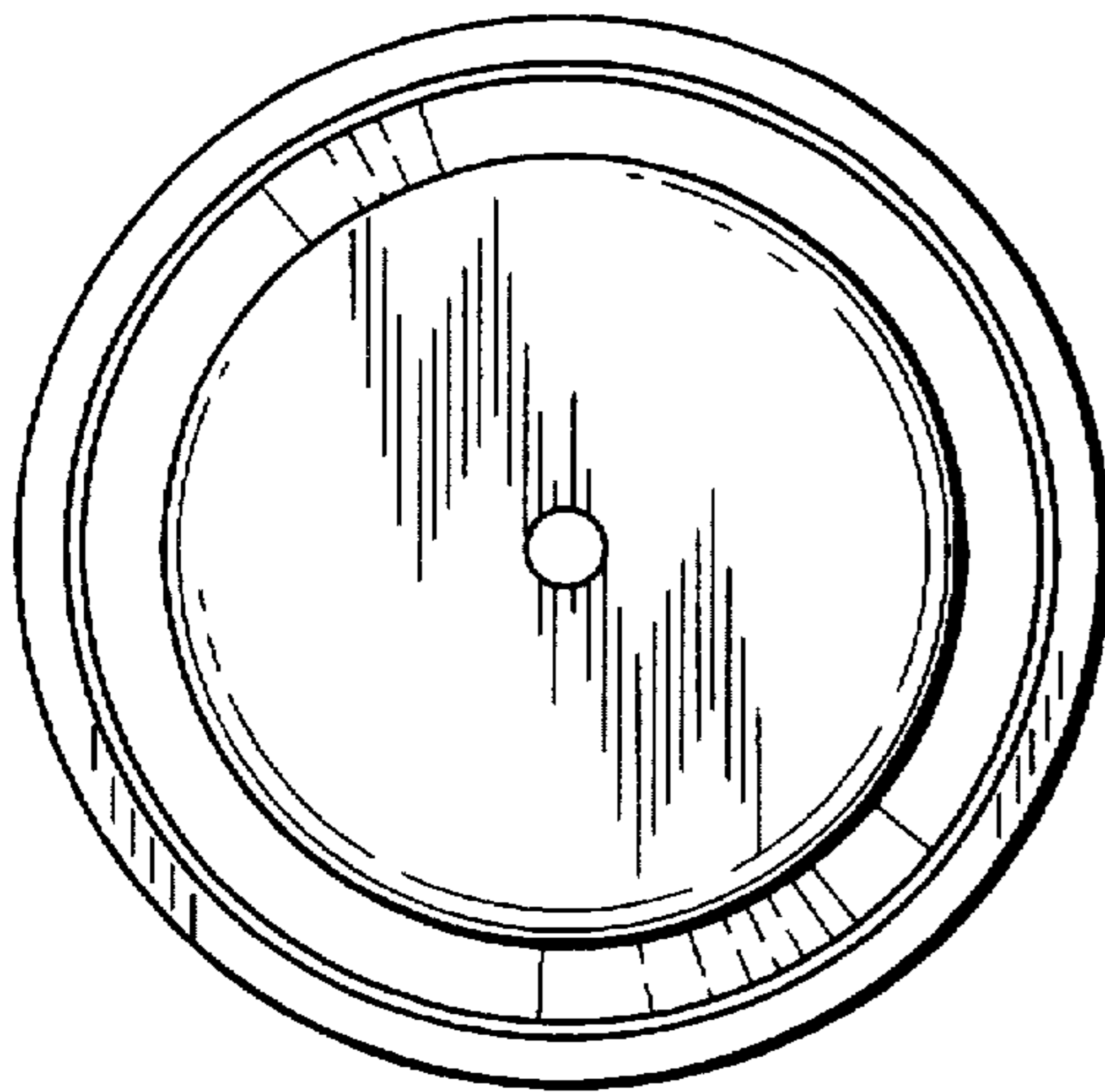


Fig. 4

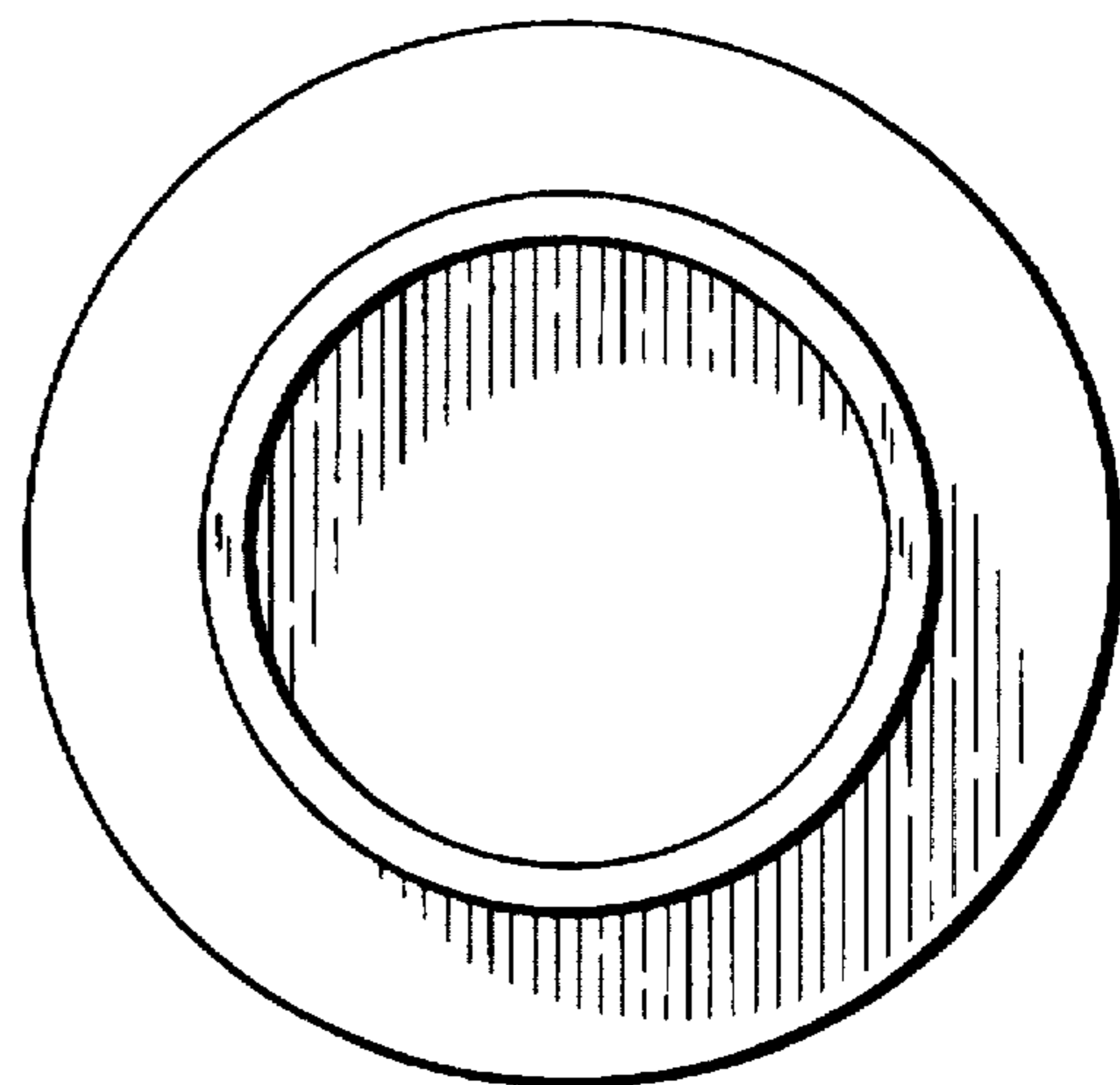


Fig. 5

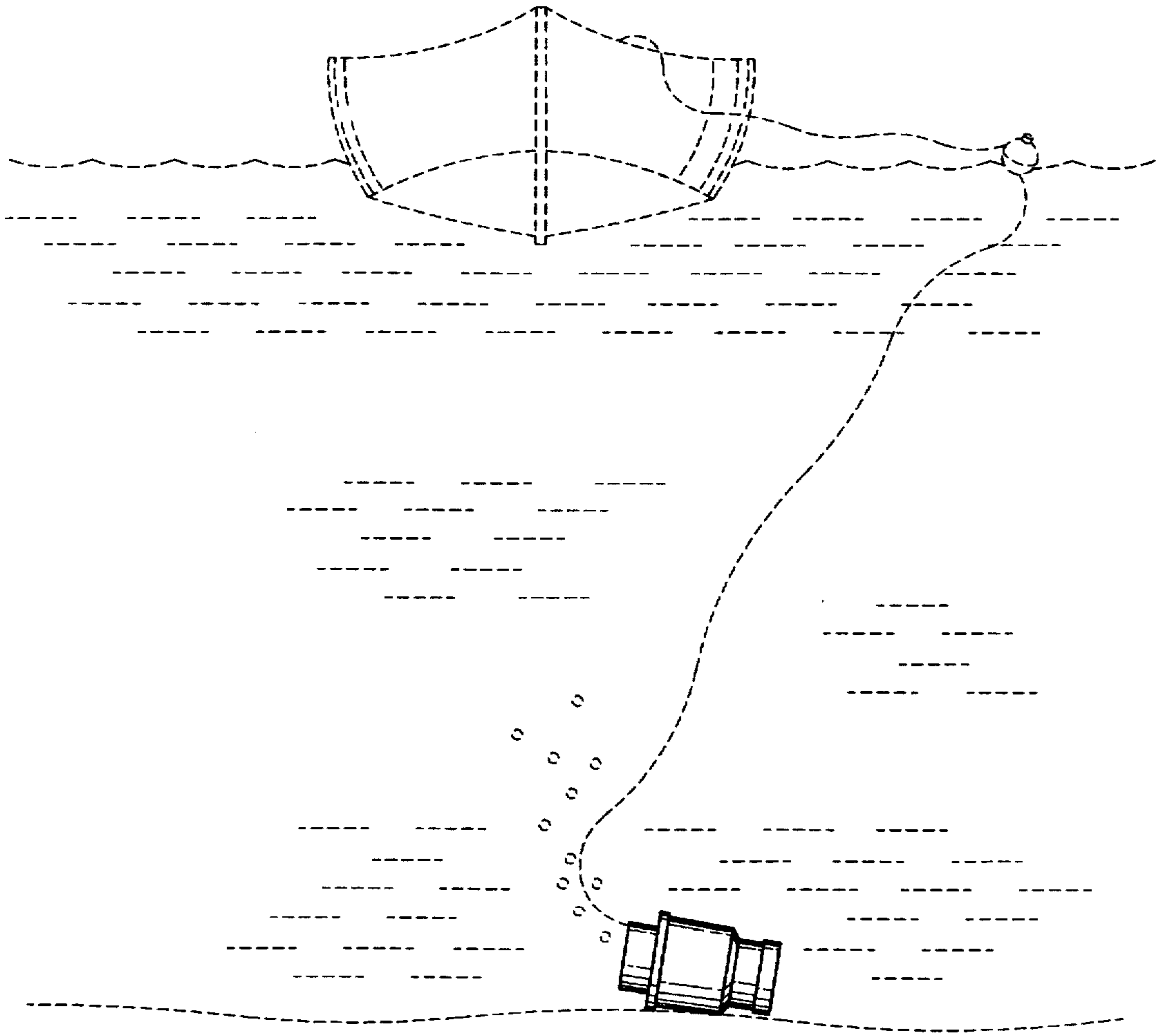


Fig. 6