



US00D397527S

United States Patent [19]

[11] Patent Number: Des. 397,527

Bruder et al.

[45] Date of Patent: **Aug. 25, 1998

[54] **MINERAL BLOCK FEEDER FOR LIVESTOCK AND WILDLIFE**

[76] Inventors: **David A. Bruder; Ben E. Bruder; Hubert G. Lovelady**, all of 4352 Wildt Rd., San Antonio, Tex. 78222

3,195,508 7/1965 Lehaan et al. 119/51.11
 3,598,087 8/1971 Ramser 119/51.11
 3,730,142 5/1973 Kahrs et al. 119/51.4
 3,952,705 4/1976 Witmer et al. 119/51.5
 5,245,949 9/1993 Hively 119/54
 5,345,893 9/1994 Morris 119/51.11
 5,421,290 6/1995 Welch 119/51.11
 5,606,934 3/1997 Brisby 119/51.5

[**] Term: 14 Years

FOREIGN PATENT DOCUMENTS

[21] Appl. No.: 54,771

1316139 5/1973 United Kingdom 119/51.4

[22] Filed: May 21, 1996

Primary Examiner—Cathy Anne MacCormac

[51] LOC (6) CL 30-07

[57] CLAIM

[52] U.S. Cl. D30/121

The ornamental design for a mineral block feeder for livestock and wildlife, as shown and described.

[58] Field of Search D30/121-122,
 D30/129-133; 119/51.01, 51.04, 51.11,
 51.12, 51.13, 51.5, 52.2, 52.4, 54, 56.1,
 61, 230

DESCRIPTION

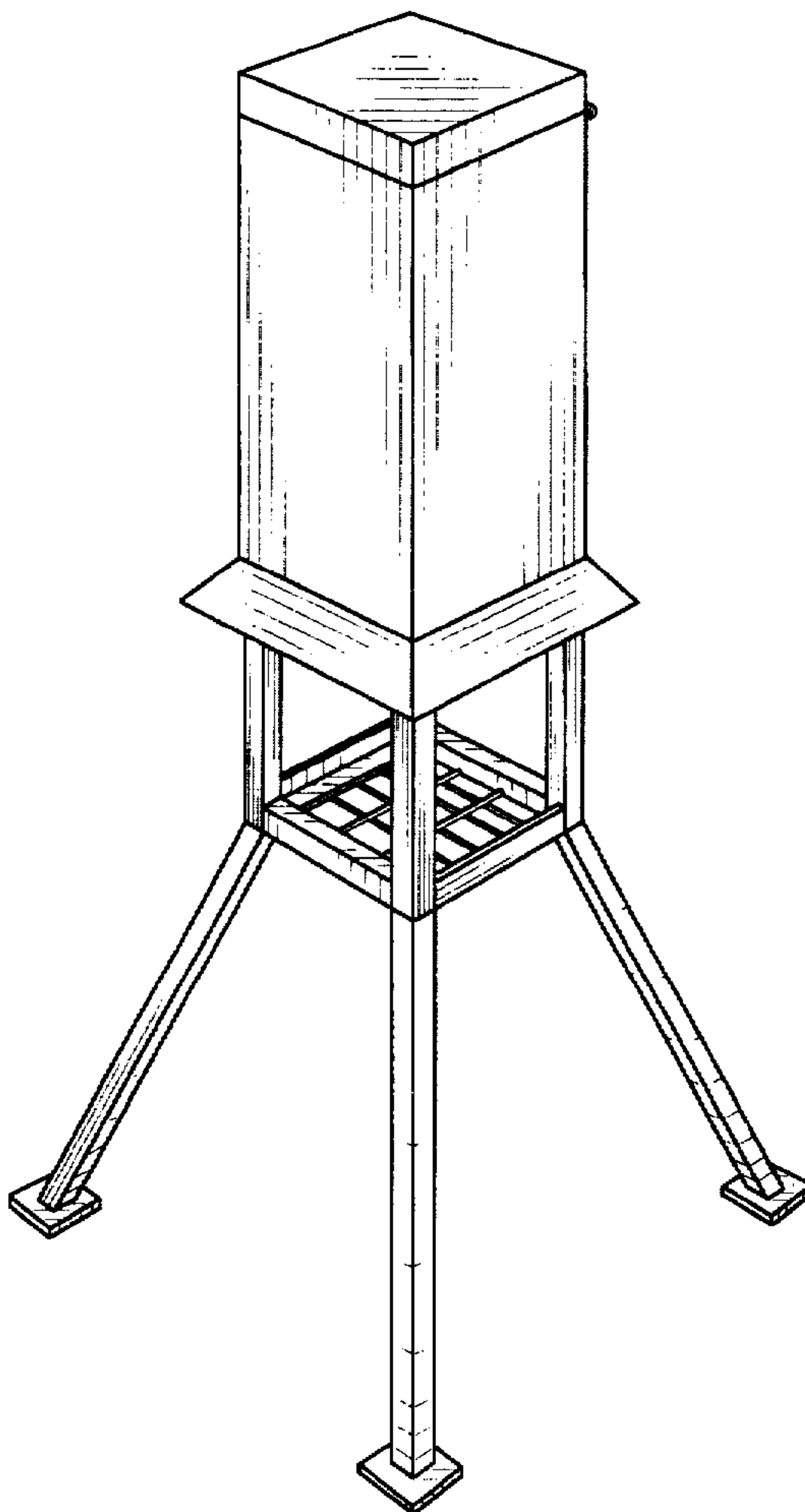
[56] References Cited

FIG. 1 is a front elevational view of a mineral block feeder for livestock and wildlife showing our new design;
 FIG. 2 is a top plain view thereof;
 FIG. 3 is a right hand elevational view thereof;
 FIG. 4 is a left hand elevational view thereof;
 FIG. 5 is a back elevational view thereof;
 FIG. 6 is a bottom plain view thereof; and
 FIG. 7 is a perspective view thereof.

U.S. PATENT DOCUMENTS

D. 174,781 5/1955 Sturma D30/121
 D. 232,846 9/1974 Fusco D30/121
 D. 326,741 6/1992 Powers D30/121
 D. 338,286 8/1993 Jaramillo D30/121

1 Claim, 4 Drawing Sheets



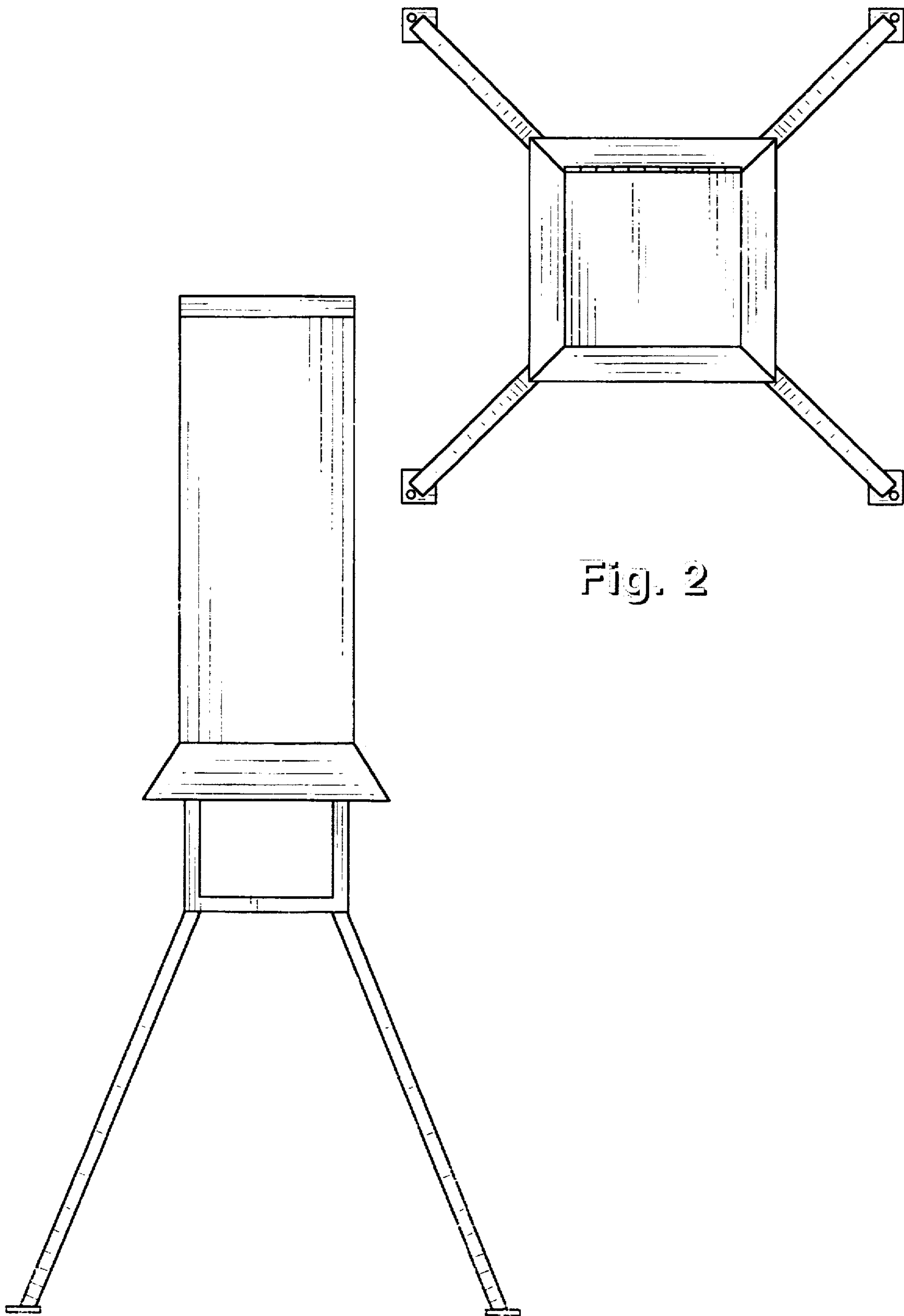
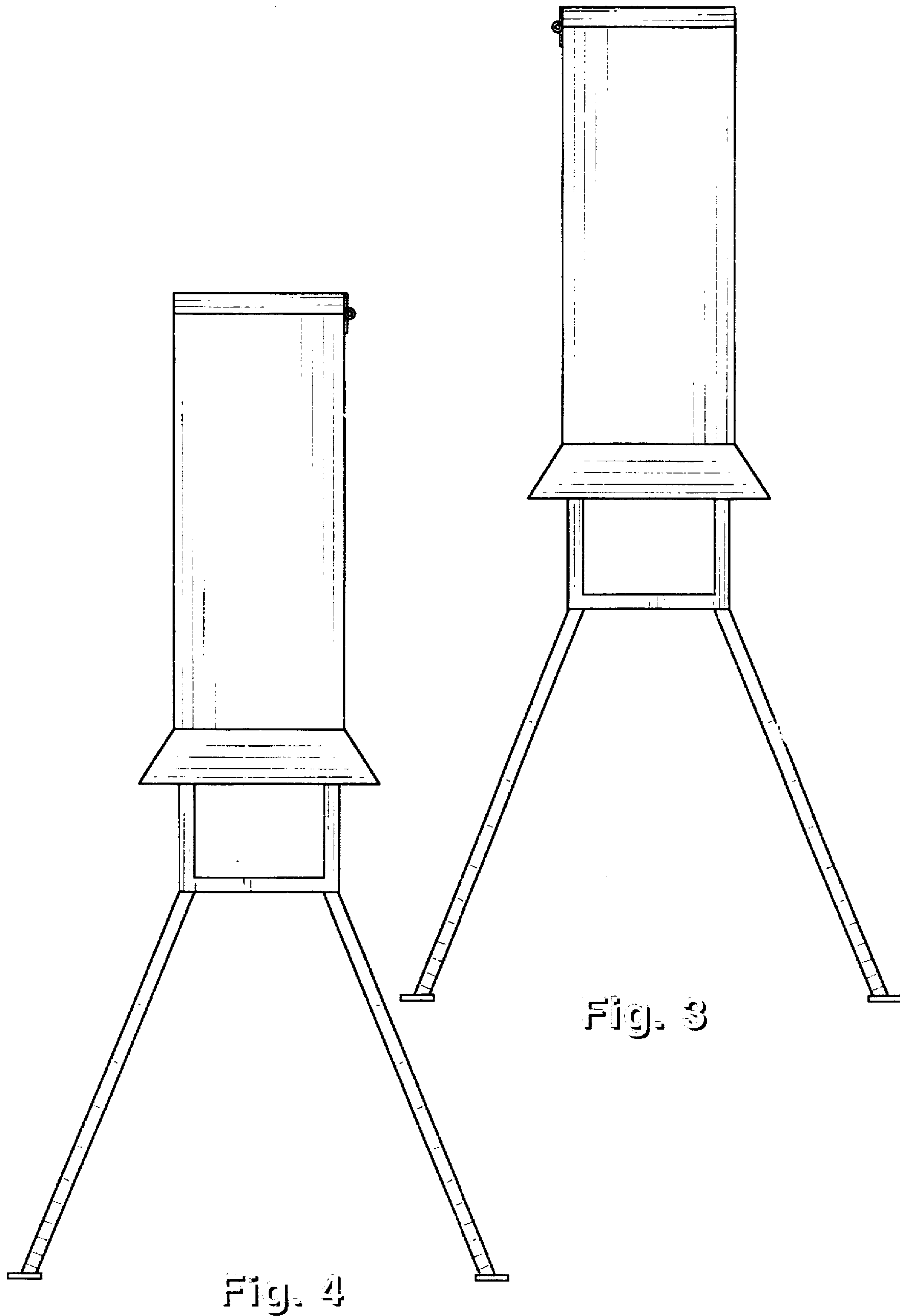


Fig. 1

Fig. 2



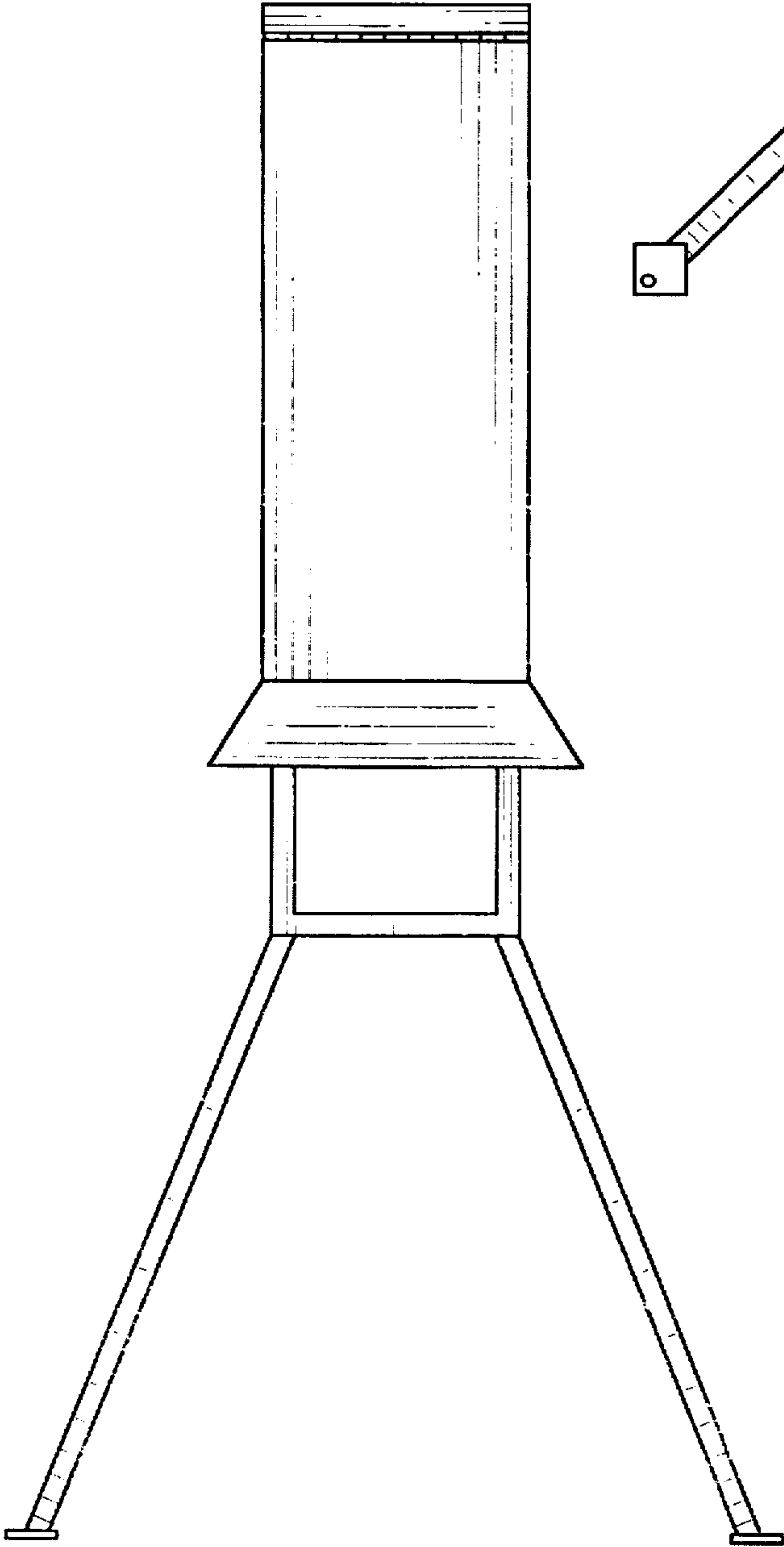


Fig. 5

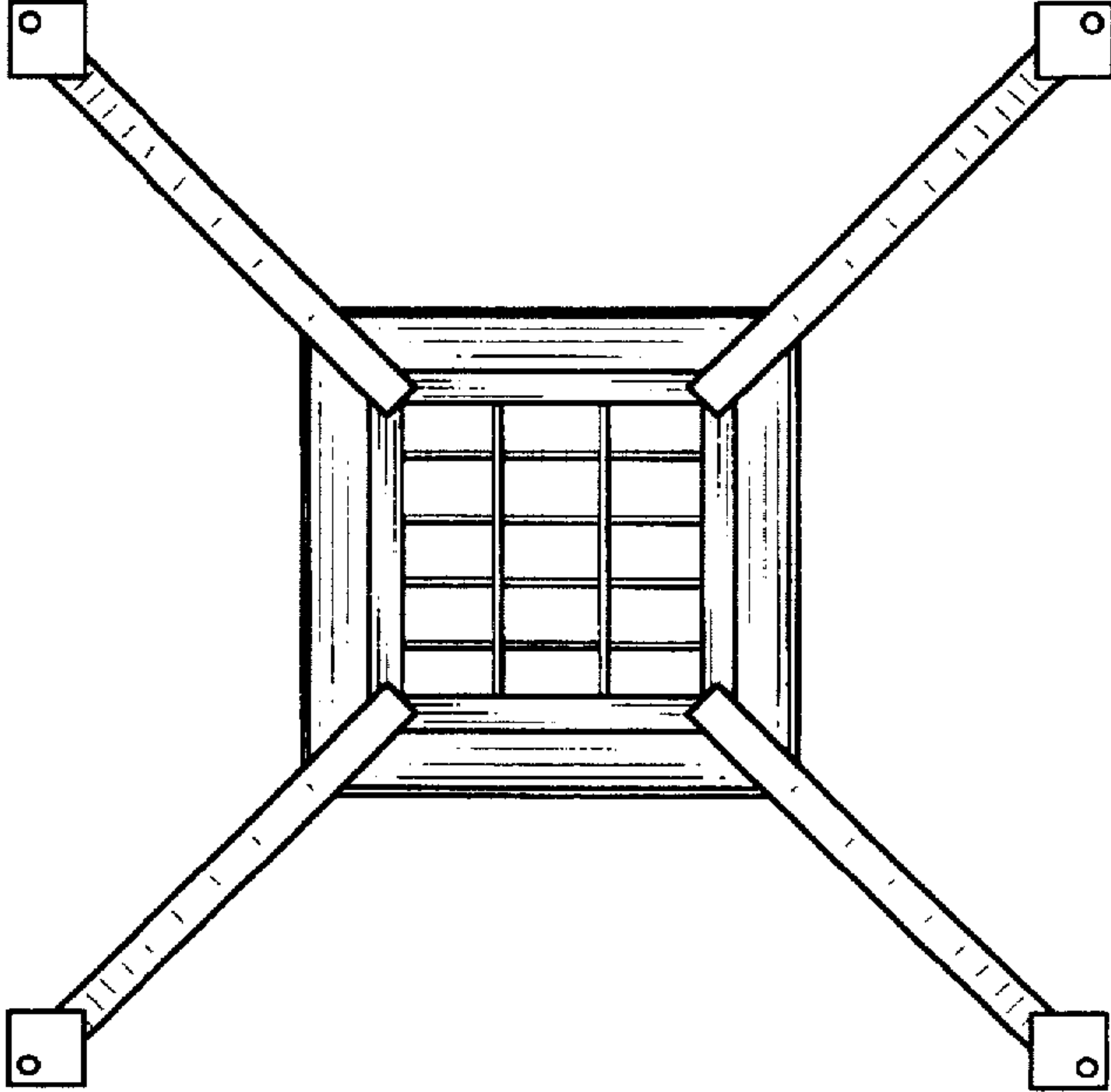


Fig. 6

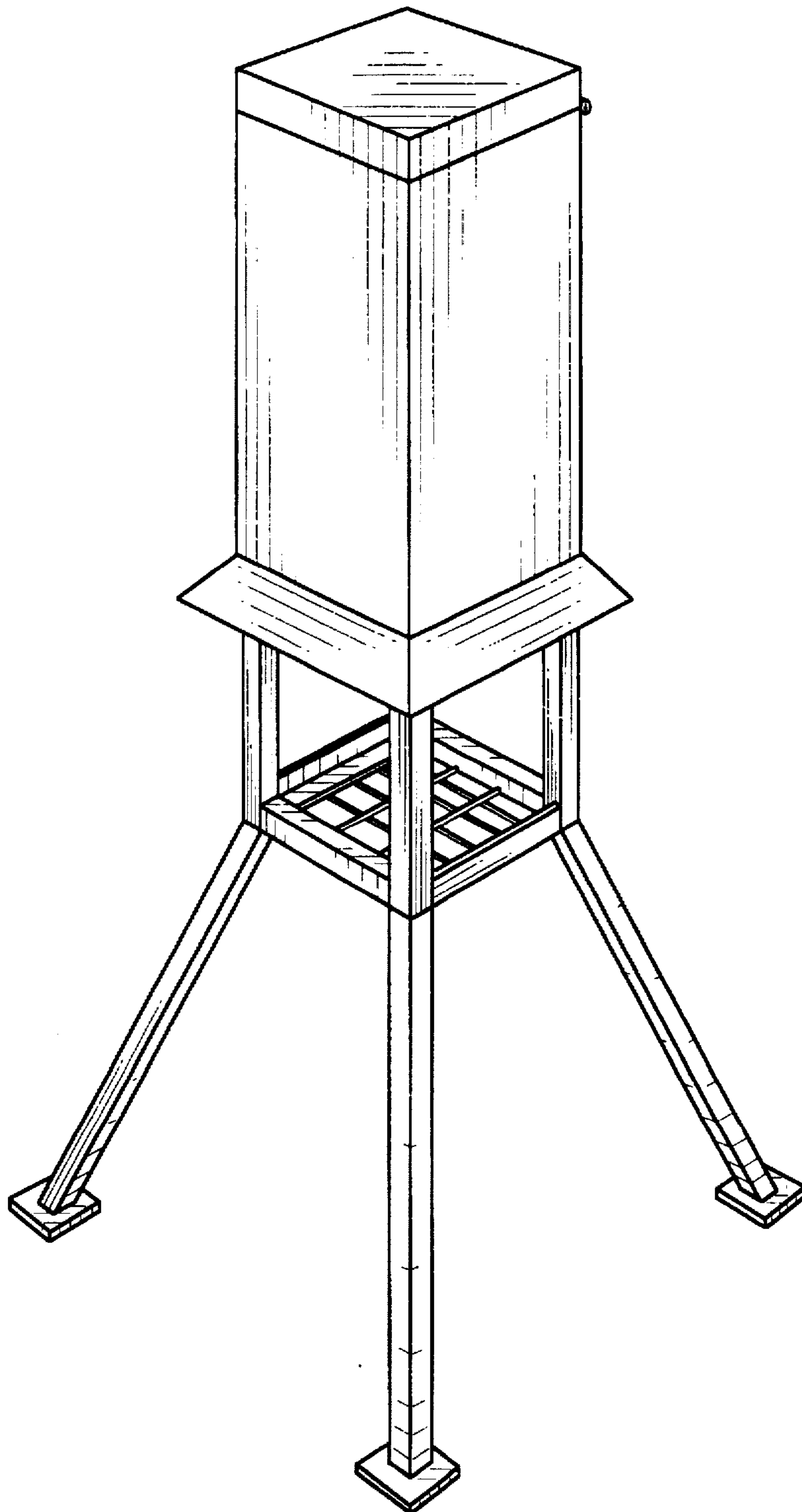


Fig. 7