

US00D397526S

United States Patent [19]
Sheaffer

[11] **Patent Number:** **Des. 397,526**
[45] **Date of Patent:** ****Aug. 25, 1998**

[54] **FEEDER FOR AN ANIMAL CAGE**
[75] **Inventor:** **John E. Sheaffer, Perryville, Md.**
[73] **Assignee:** **Lab Products Inc., Seaford, Del.**
[**] **Term:** **14 Years**
[21] **Appl. No.:** **61,904**
[22] **Filed:** **Nov. 1, 1996**
[51] **LOC (6) Cl.** **30-02**
[52] **U.S. Cl.** **D30/119; D30/121**
[58] **Field of Search** **D30/119, 121,**
D30/122, 129-133; 119/51.01, 51.04, 51.11-51.13,
51.5, 52.2, 52.4, 54, 56.1, 61, 230, 58,
59, 60, 63, 52.1, 74, 71, 73, 75, 77, 57.8,
57.9, 53

1,450,258 4/1923 Jacobus et al. 119/52.2
1,994,208 3/1935 Brown D30/119
3,951,105 4/1976 Mehn D30/119
5,000,122 3/1991 Smith 119/61

Primary Examiner—Cathy Anne MacCormac
Attorney, Agent, or Firm—Stroock & Stroock & Lavan LLP

[57] **CLAIM**

The ornamental design for a feeder for an animal cage, as shown and described.

DESCRIPTION

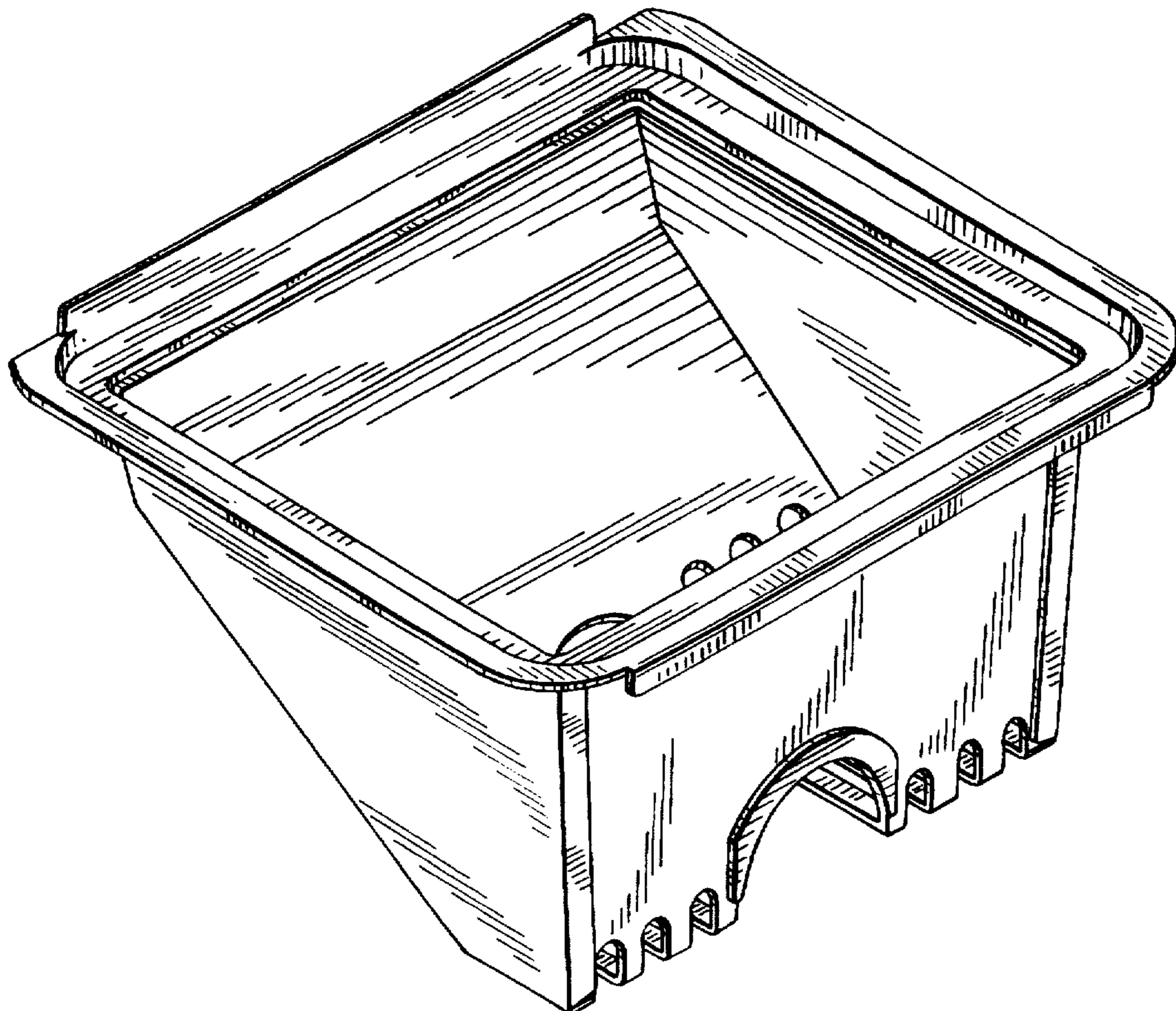
FIG. 1 is a perspective view of a feeder for an animal cage constructed in accordance with the invention;
FIG. 2 is a top plan view of the feeder for an animal cage depicted in FIG. 1;
FIG. 3 is a side elevation view of the feeder for an animal cage depicted in FIG. 1, the opposite side elevational view being identical thereto in mirror image;
FIG. 4 is a front elevational view of the feeder for an animal cage depicted in FIG. 1;
FIG. 5 is a rear elevational view of the feeder for an animal cage depicted in FIG. 1;
FIG. 6 is a bottom plan view of the feeder for an animal cage depicted in FIG. 1; and,
FIG. 7 is a cross-sectional view taken along line 7—7 of FIG. 4.

[56] **References Cited**

U.S. PATENT DOCUMENTS

D. 210,890 4/1968 Smith D30/121
D. 232,848 9/1974 Barton et al. D30/121
D. 262,746 1/1982 Harris D30/121
D. 271,433 11/1983 Holland D30/121
D. 337,862 7/1993 Leopold D30/121
D. 351,259 10/1994 Semnuk et al. D30/119
D. 363,916 11/1995 Johnson D30/121
D. 379,683 6/1997 Deitrich et al. D30/119

1 Claim, 4 Drawing Sheets



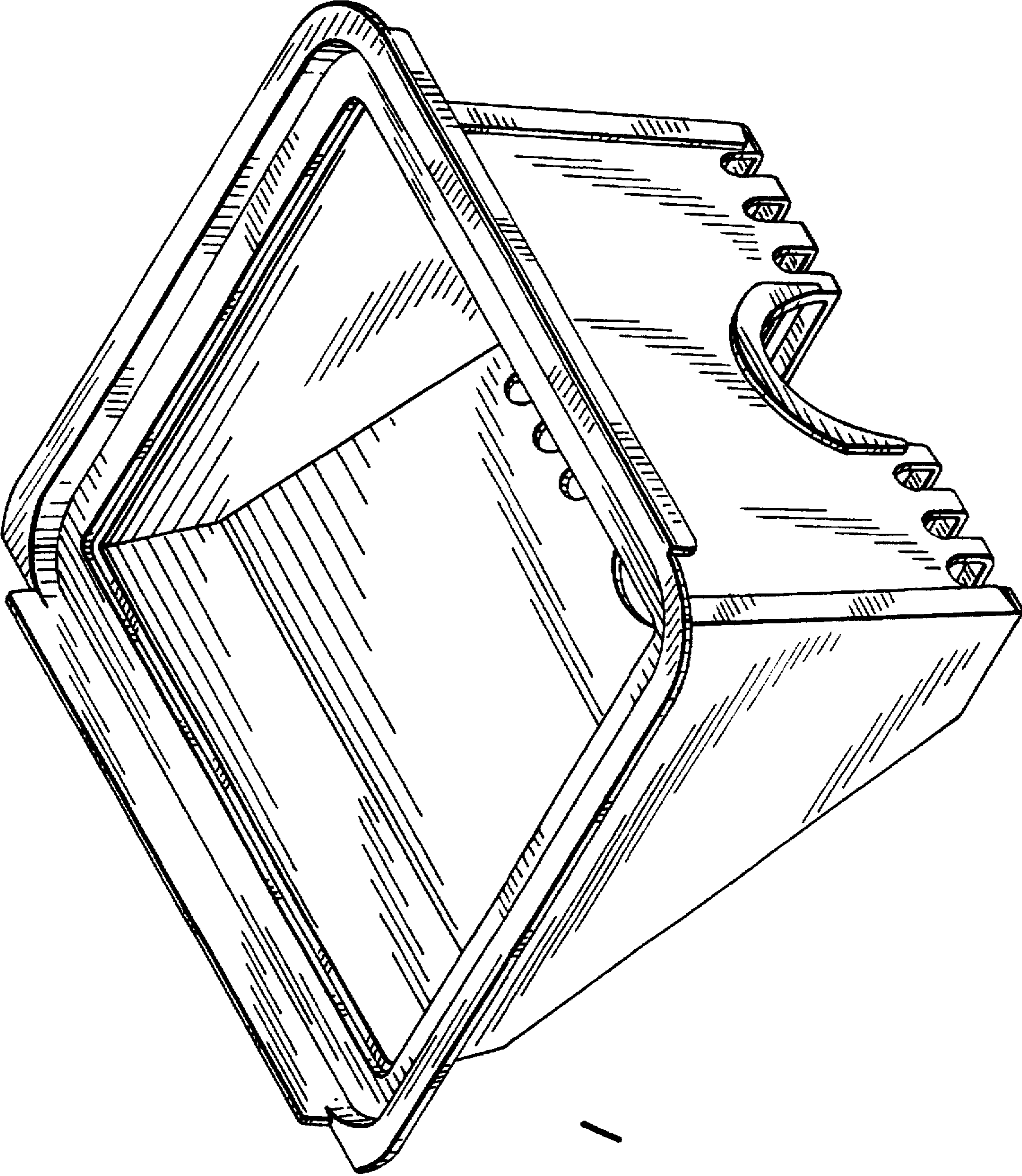


FIG. 1

FIG. 2

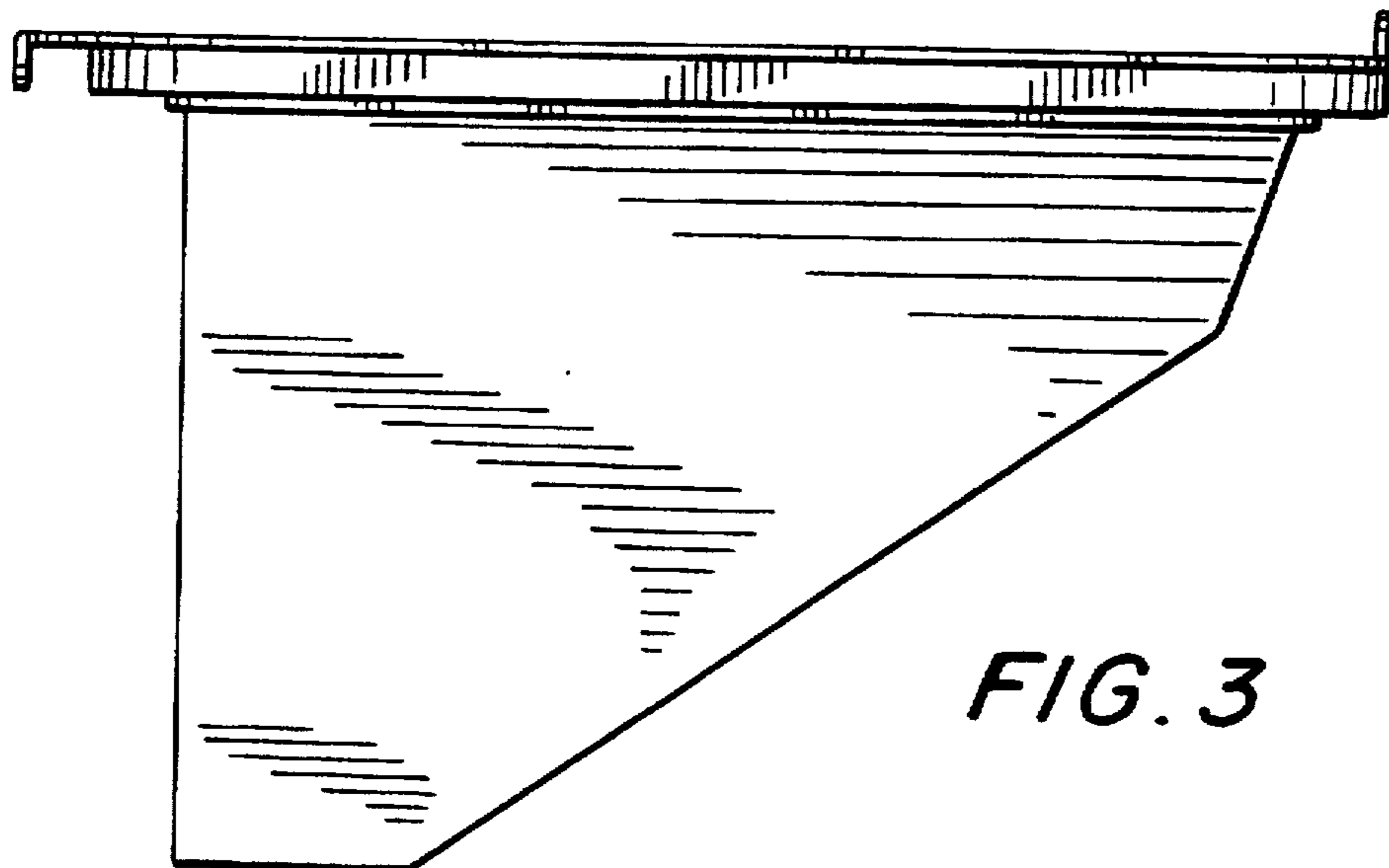
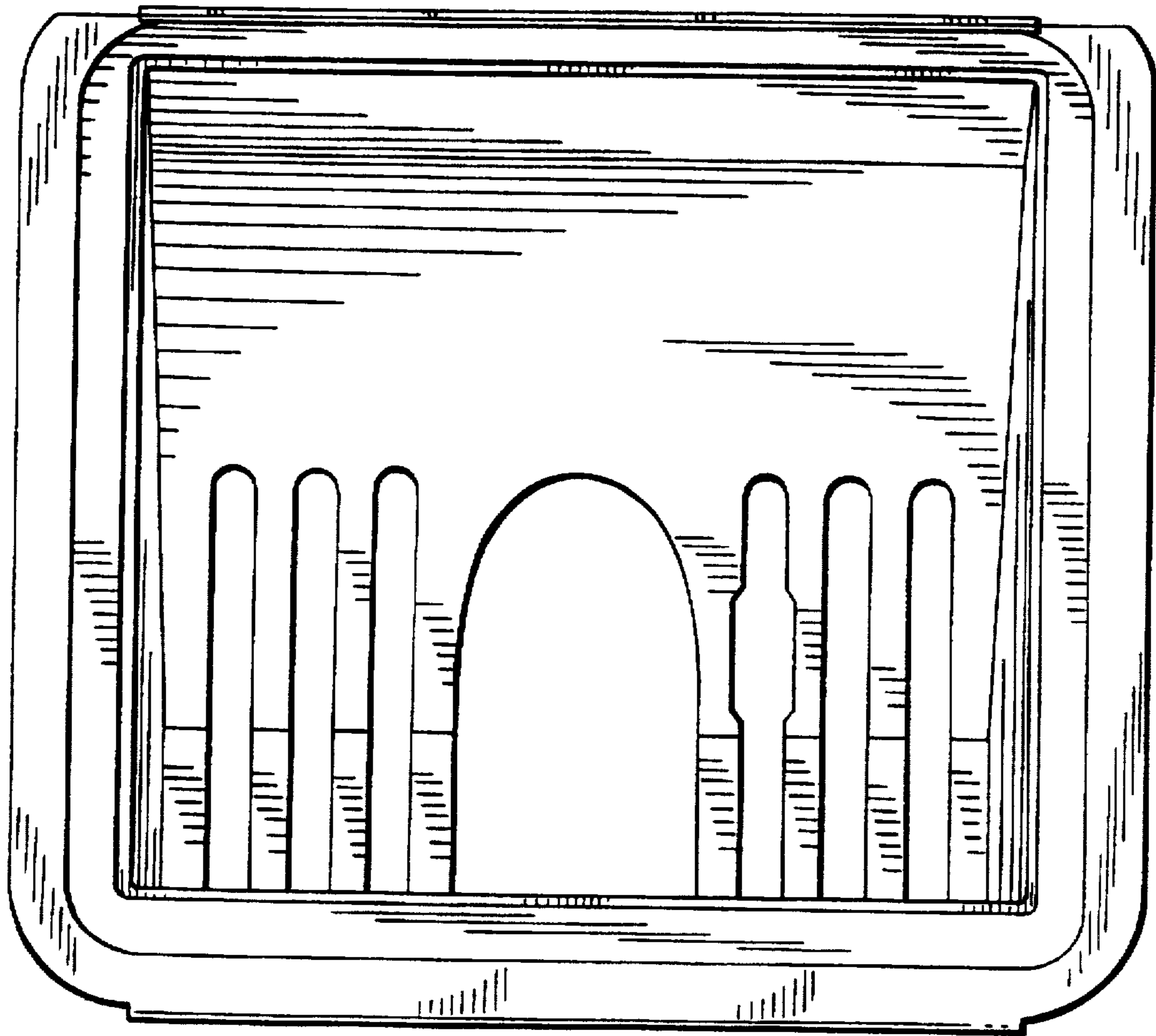


FIG. 3

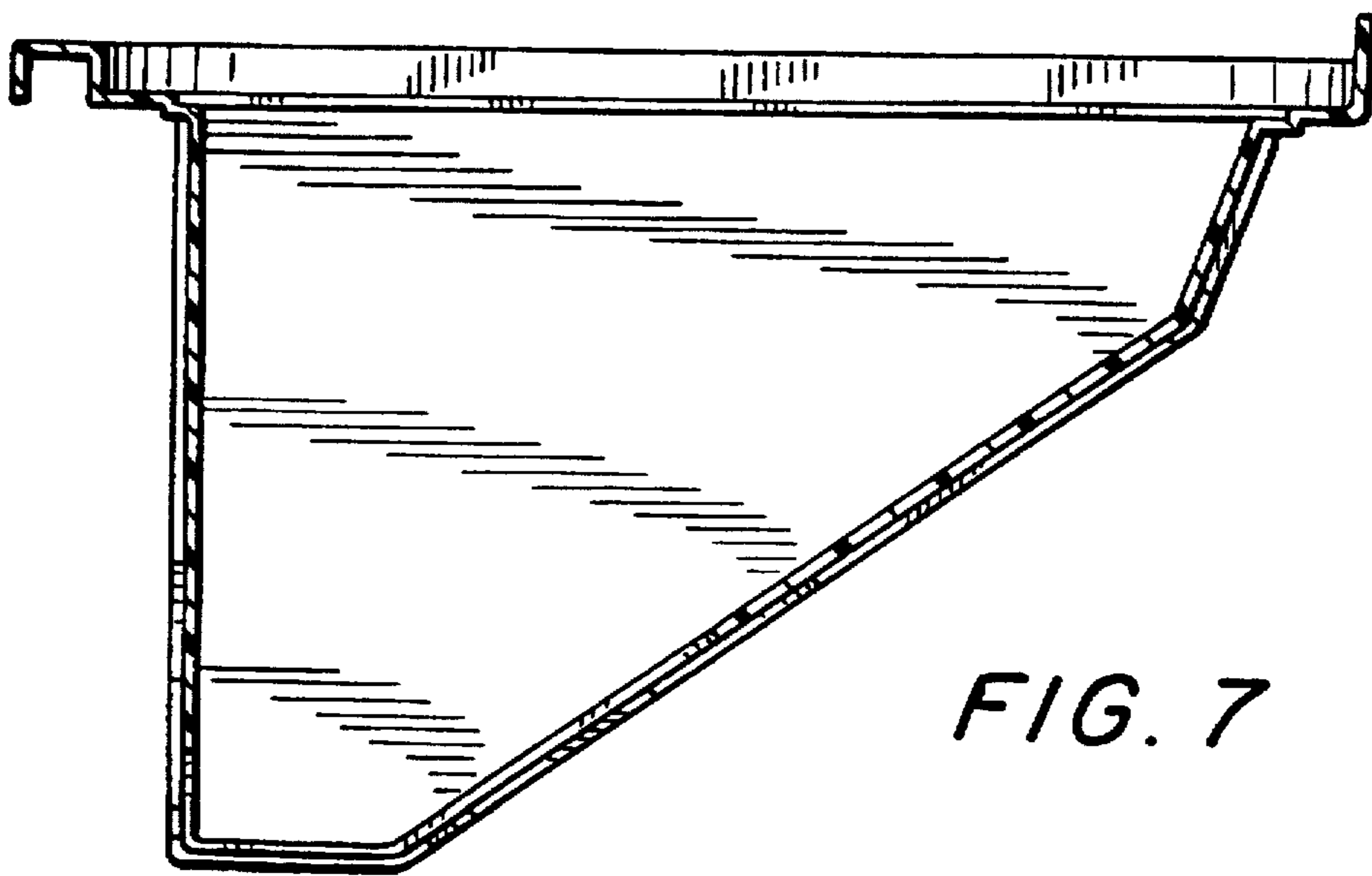
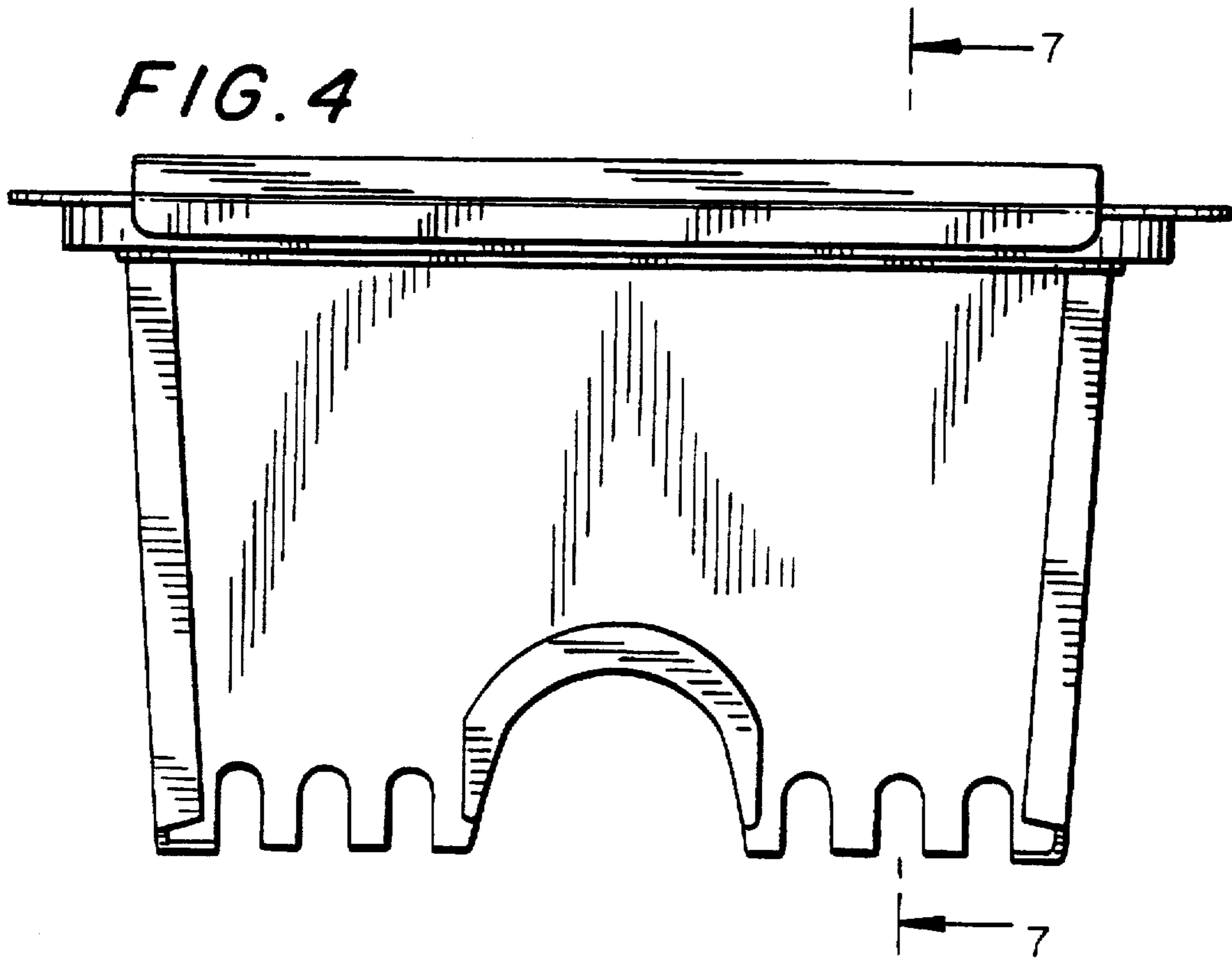


FIG. 5

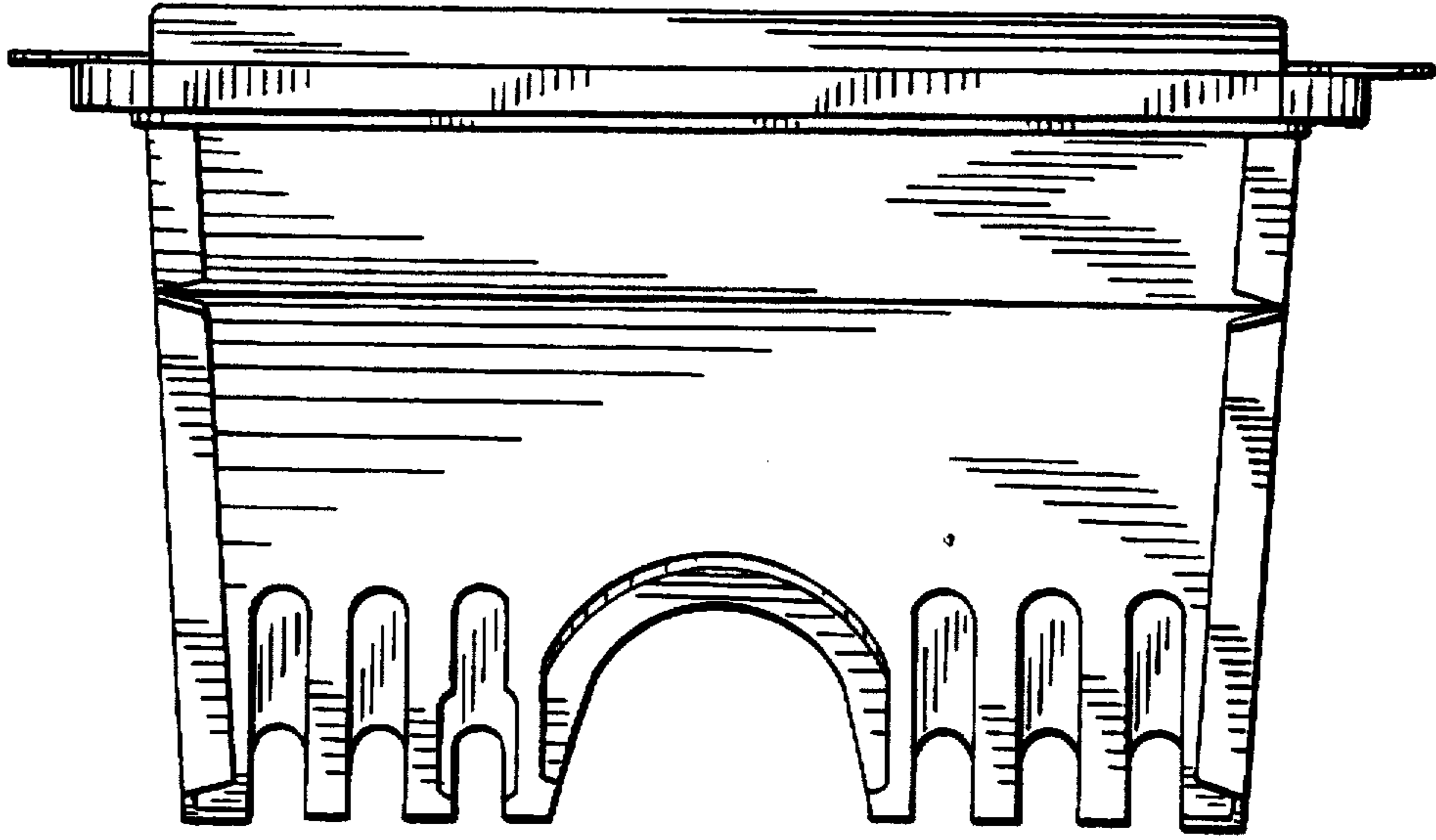


FIG. 6

