



US00D397524S

United States Patent [19] Teng

[11] Patent Number: **Des. 397,524**

[45] Date of Patent: ****Aug. 25, 1998**

[54] **PET PLAYHOUSE**

[75] Inventor: **Charles S. P. Teng**, Walnut, Calif.

[73] Assignee: **Tenwood International, Inc.**,
Irwindale, Calif.

[**] Term: **14 Years**

[21] Appl. No.: **73,120**

[22] Filed: **Jun. 30, 1997**

[51] LOC (6) Cl. **30-02**

[52] U.S. Cl. **D30/118; D30/108**

[58] Field of Search **D30/108, 160,**
D30/118; 119/165-166, 168, 499, 161;
D6/601-605, 334-335, 382-384

5,000,116 3/1991 Fife et al. D30/118
 5,188,063 2/1993 Evans 119/28.5
 5,282,439 2/1994 Oaks 119/28.5
 5,337,700 8/1994 Toft 119/165

FOREIGN PATENT DOCUMENTS

2408301 7/1979 France D30/118
 1145850 3/1963 Germany 119/499
 2157536 10/1985 United Kingdom 119/161

OTHER PUBLICATIONS

House Beautiful; Cat bed (center of page), Mar. 1968.

Primary Examiner—Cathy Anne MacCormac
Attorney, Agent, or Firm—Sheldon & Mak

[57] CLAIM

The ornamental design for a pet playhouse, as shown and described.

DESCRIPTION

FIG. 1 is a perspective view of the pet playhouse of the subject invention;
 FIG. 2 is a front elevational view thereof;
 FIG. 3 is a right side view thereof (the left side view being a mirror image thereof);
 FIG. 4 is a rear elevational view thereof;
 FIG. 5 is a top elevational view thereof; and
 FIG. 6 is a bottom elevational view thereof.

1 Claim, 3 Drawing Sheets

[56] References Cited

U.S. PATENT DOCUMENTS

D. 21,558 8/1892 Zo et al. D30/118
 D. 205,216 7/1966 Bell D30/118
 D. 223,760 6/1972 Chestine D30/118
 D. 224,685 8/1972 Michlap et al. 119/28.5
 D. 308,121 5/1990 Overturg D30/118
 D. 309,514 7/1990 Marcus et al. D30/118
 D. 327,341 6/1992 Barreto, III et al. D30/118
 D. 369,443 4/1996 Givens D30/118
 3,814,058 6/1974 Thompson 119/28.5
 4,070,694 1/1978 Haynes et al. 119/28.5
 4,347,807 9/1982 Reich 119/499

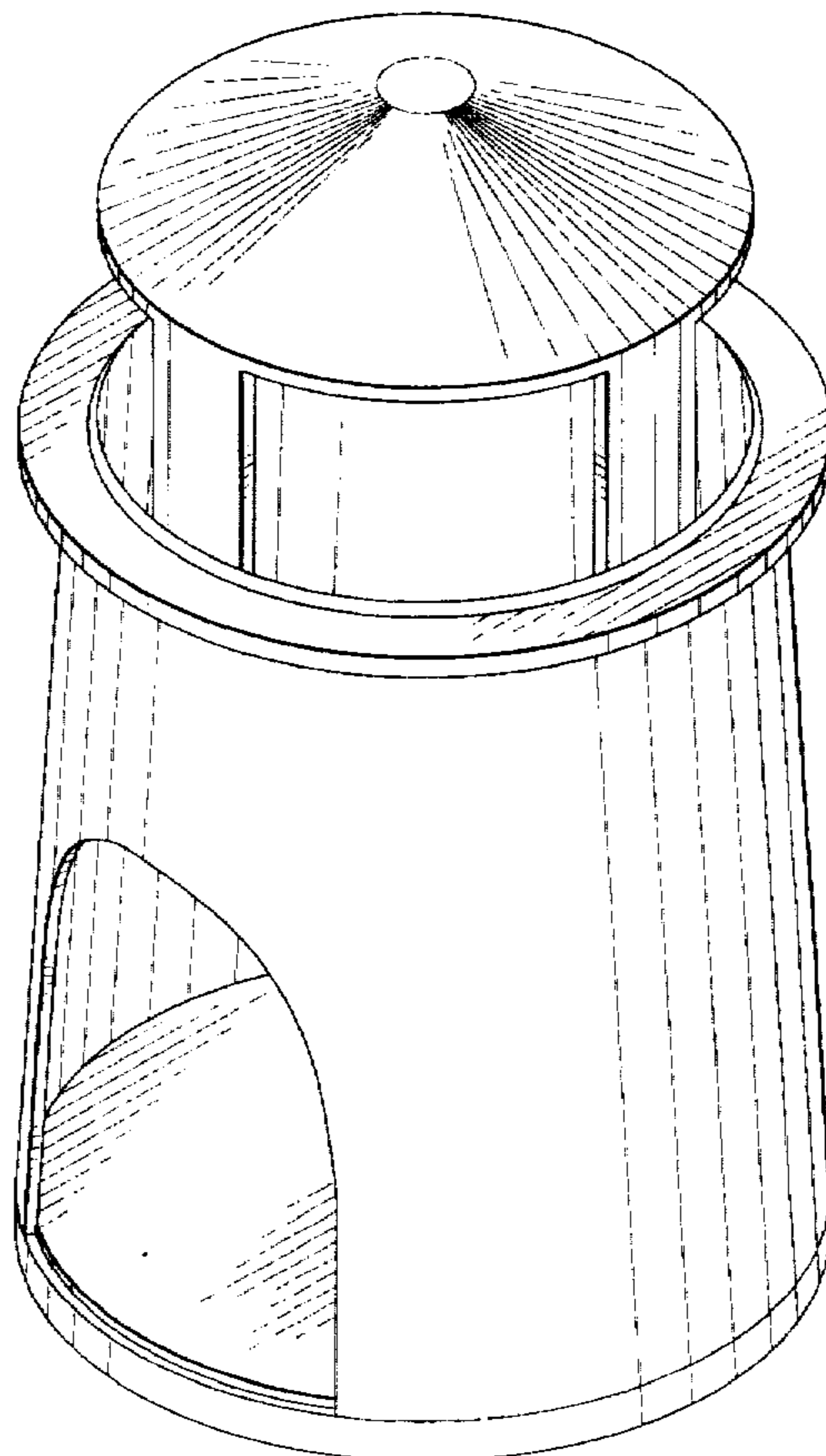
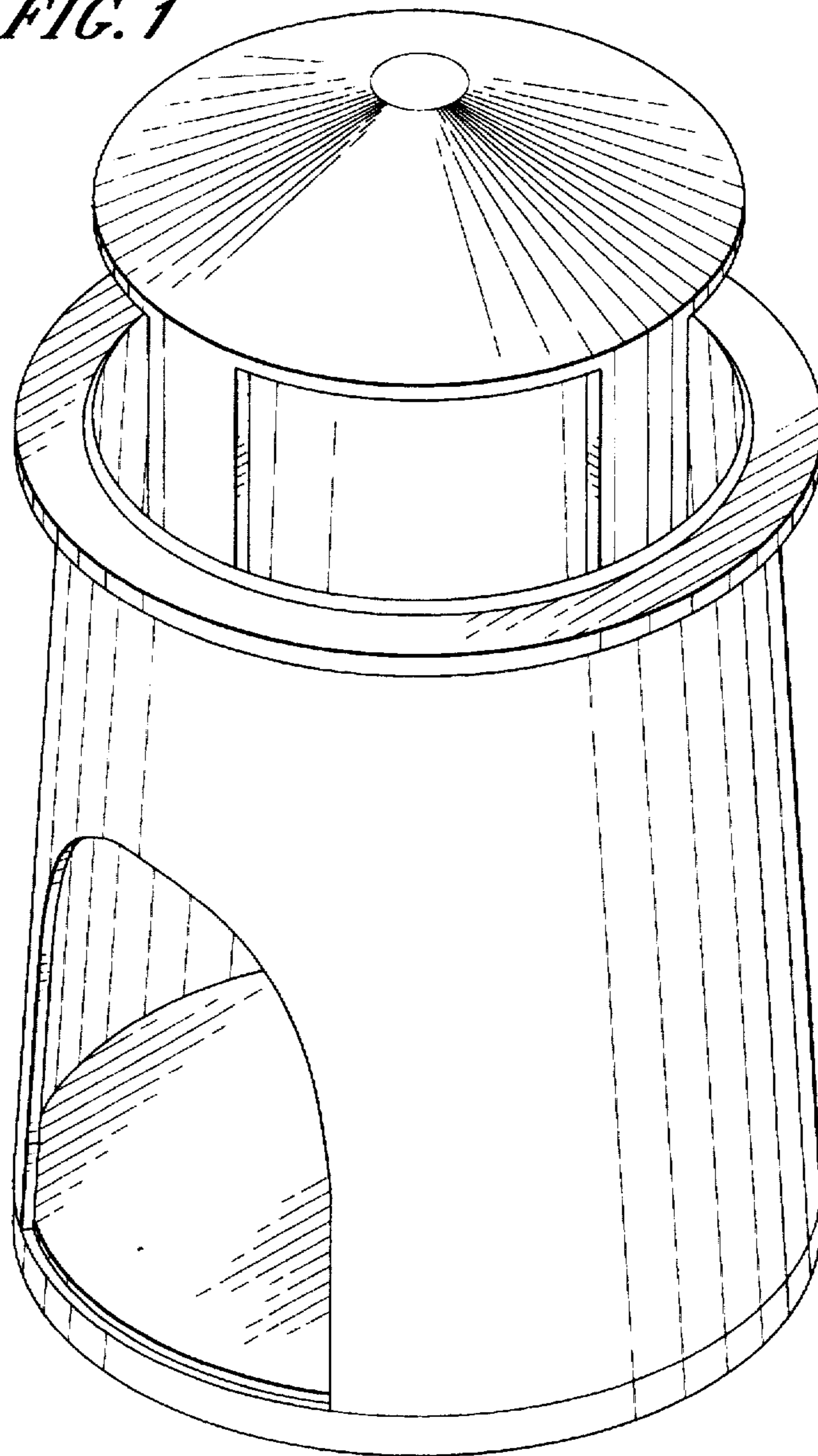


FIG. 1



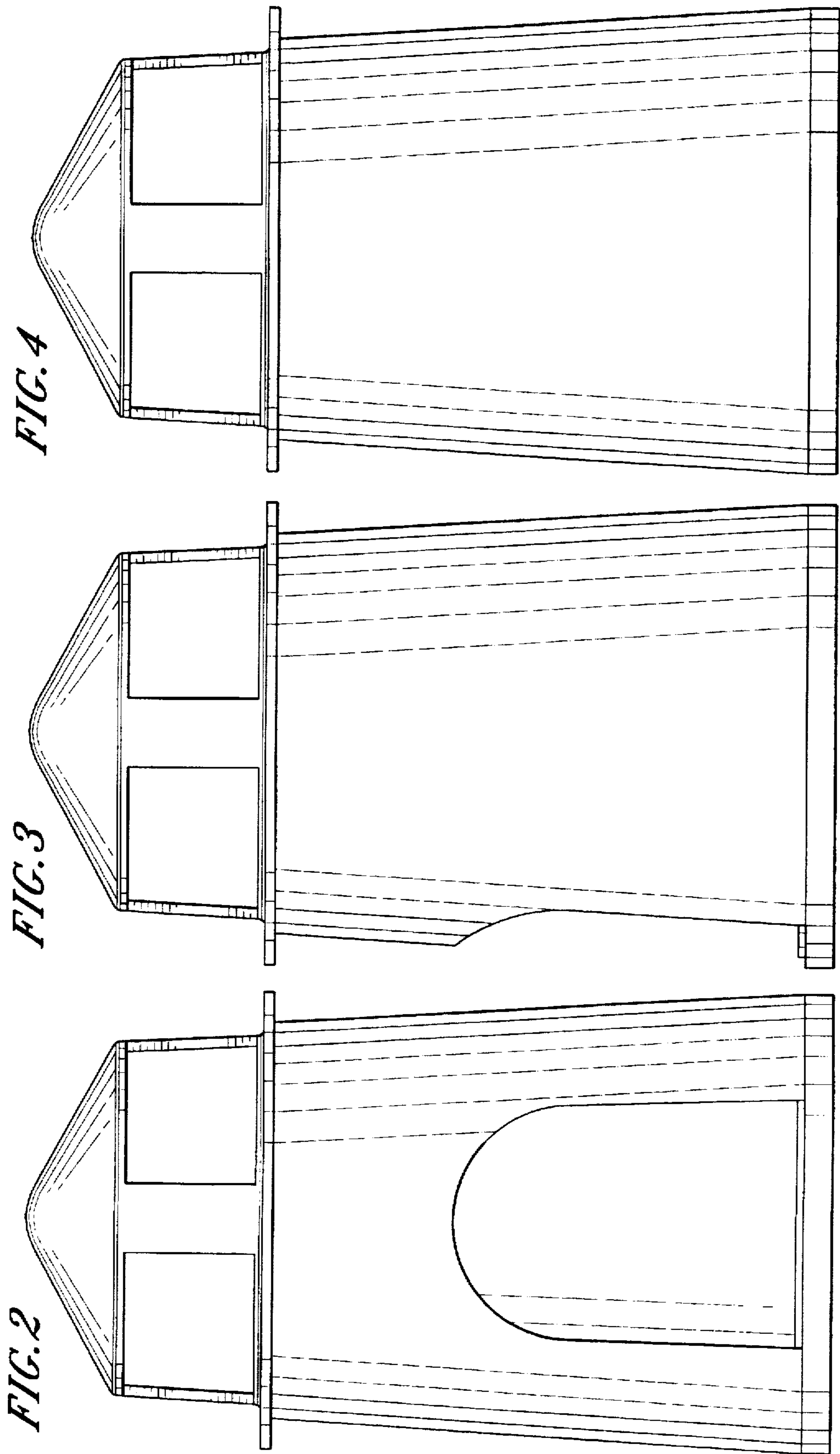


FIG. 5

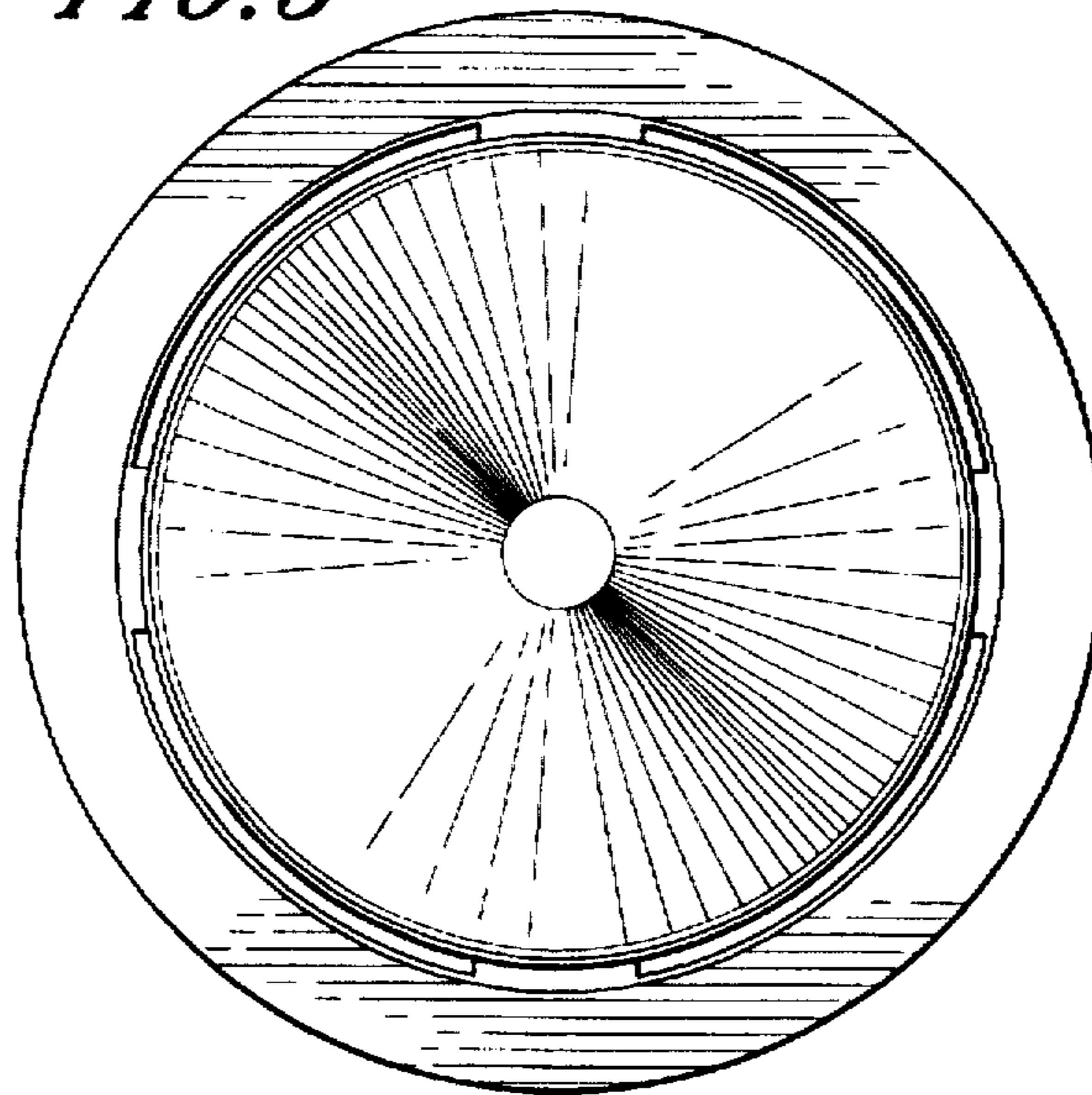


FIG. 6

