



US00D397522S

# United States Patent [19] Bishop

[11] Patent Number: **Des. 397,522**

[45] Date of Patent: **\*\*Aug. 25, 1998**

[54] **AQUARIUM**  
[76] Inventor: **Steven P. Bishop**, 5985 W. Herrick,  
Lake, Mich. 48632

[\*\*] Term: **14 Years**

[21] Appl. No.: **75,409**

[22] Filed: **Aug. 20, 1997**

[51] LOC (6) Cl. .... **30-02**

[52] U.S. Cl. .... **D30/101**

[58] Field of Search ..... **D30/101-107;**  
**119/247, 267, 253, 256, 246**

5,445,112 8/1995 Grosman ..... 119/246  
5,597,228 1/1997 Boyle ..... 119/267

### FOREIGN PATENT DOCUMENTS

831518 9/1938 France ..... 119/256  
2355449 1/1978 France ..... 119/253  
1006661 4/1957 Germany ..... 119/267  
404210542 7/1992 Japan ..... 119/253  
8637 7/1885 United Kingdom ..... D30/105

*Primary Examiner*—Cathy Anne MacCormac

### [57] CLAIM

The ornamental design for an aquarium, as shown and described.

### [56] References Cited

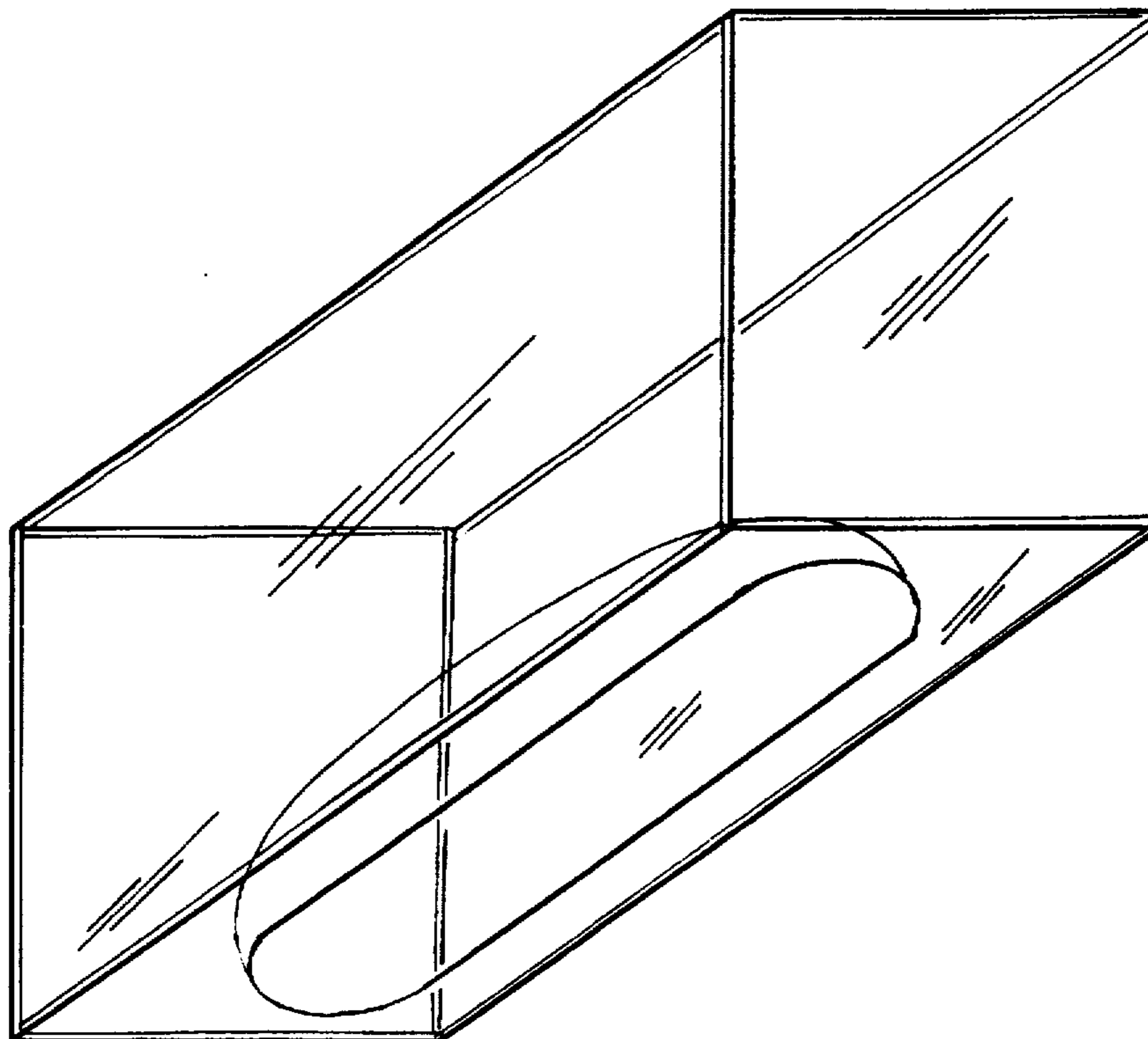
#### U.S. PATENT DOCUMENTS

D. 85,413 10/1931 Castetter ..... 119/253  
D. 171,472 2/1954 Willinger et al. .... D30/105  
322,327 11/1885 Hardy et al. .... D30/101  
1,333,454 3/1920 Sato ..... 119/267  
1,389,132 8/1921 Galavan ..... 119/267  
3,316,882 5/1967 Renwick ..... 119/267  
3,563,204 2/1971 Szilagy ..... 119/267  
4,958,593 9/1990 Hurburt et al. .... D30/104  
5,313,912 5/1994 O'Dell ..... 119/246

### DESCRIPTION

FIG. 1 is a side elevational view of an aquarium showing my new design;  
FIG. 2 is a front elevational view thereof;  
FIG. 3 is a top plan view thereof;  
FIG. 4 is a bottom plan view thereof; and,  
FIG. 5 is a slightly enlarged bottom perspective view thereof.

**1 Claim, 2 Drawing Sheets**



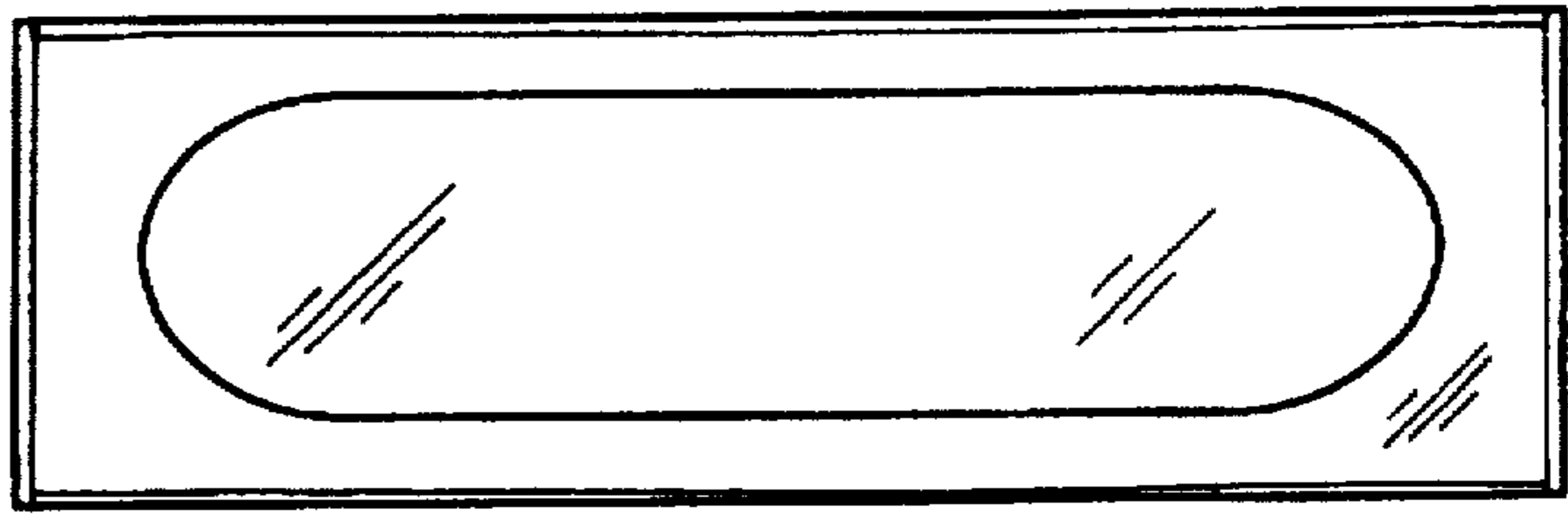


Fig. 3

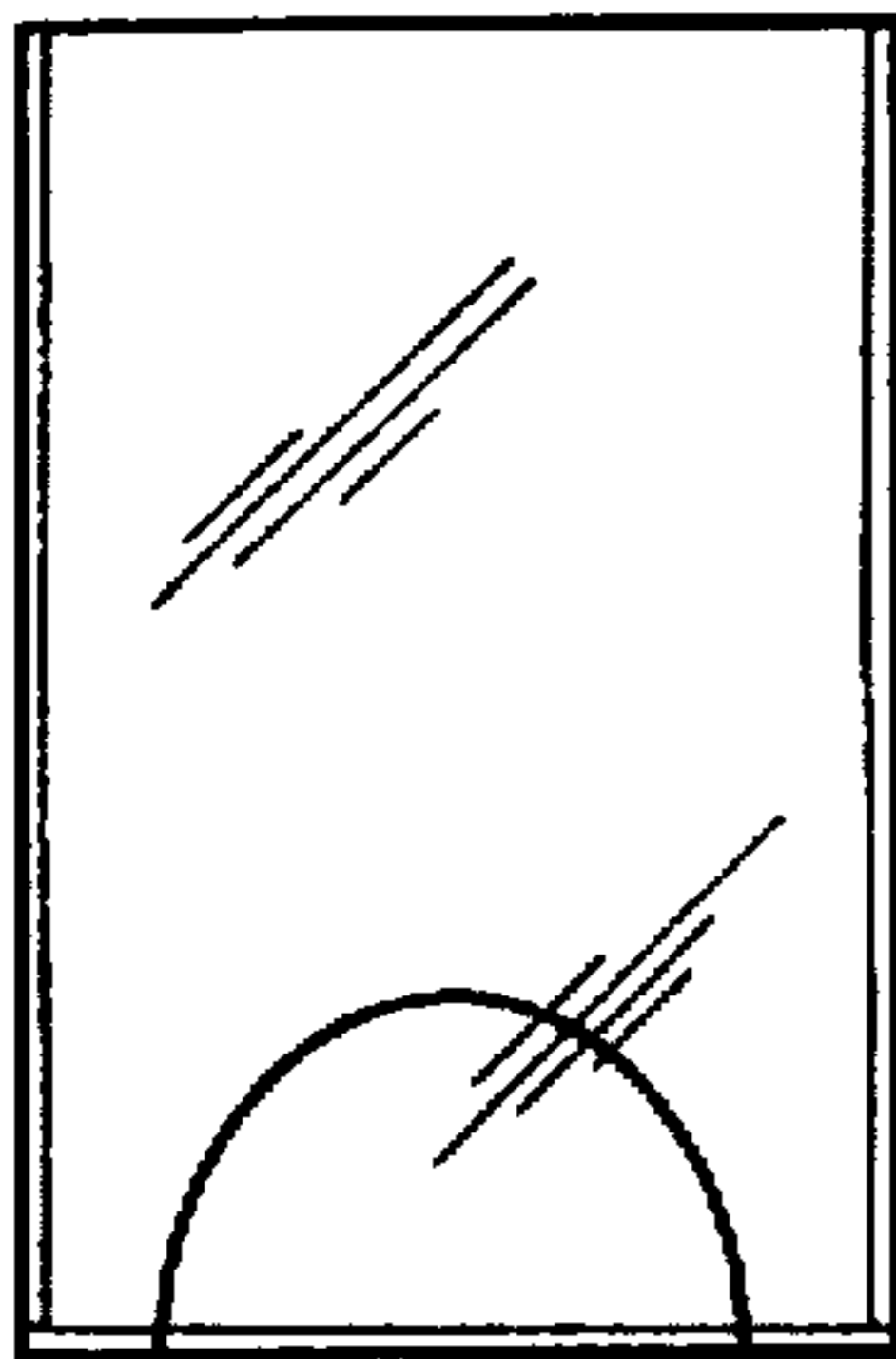


Fig. 2

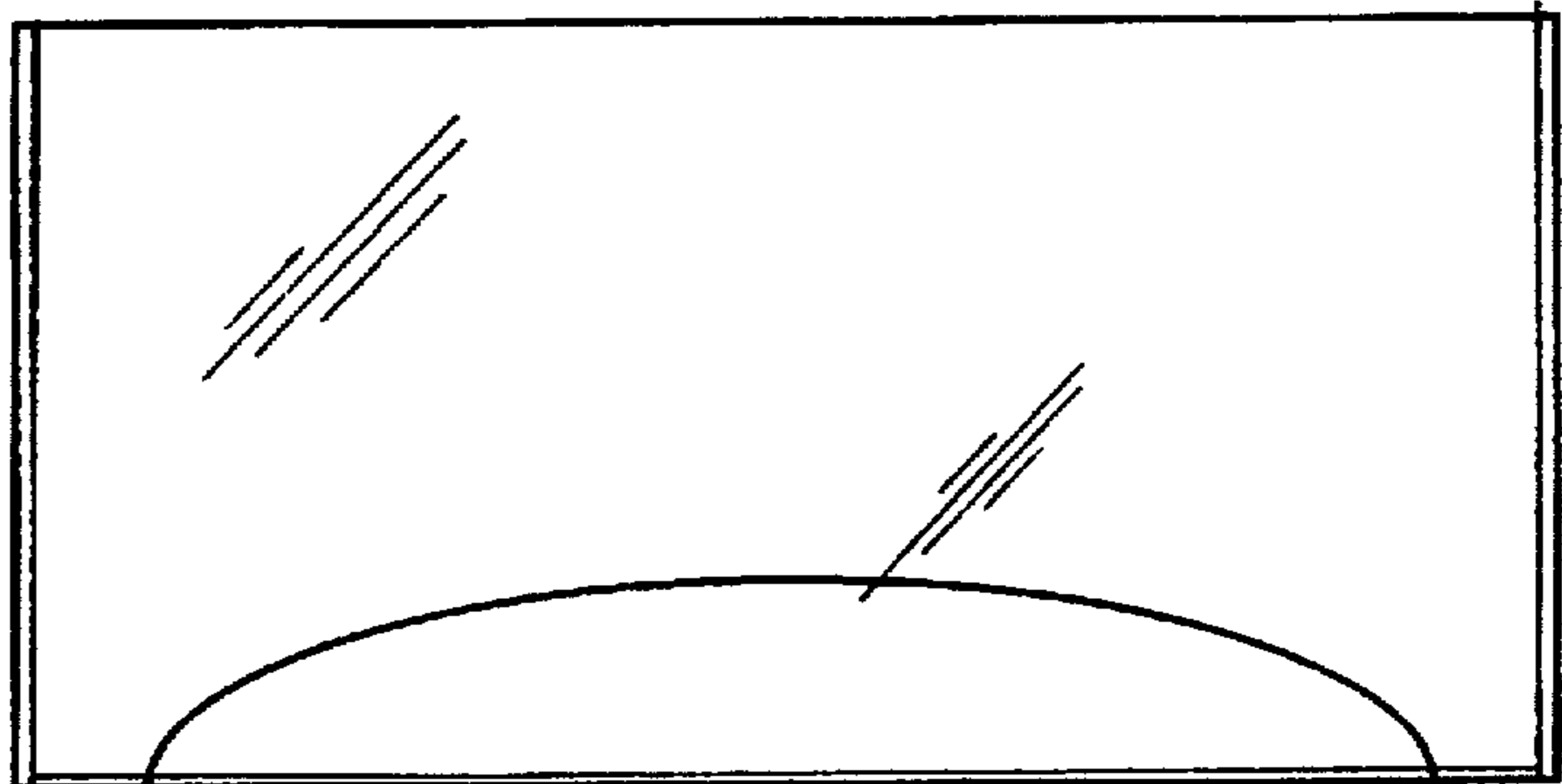


Fig. 1

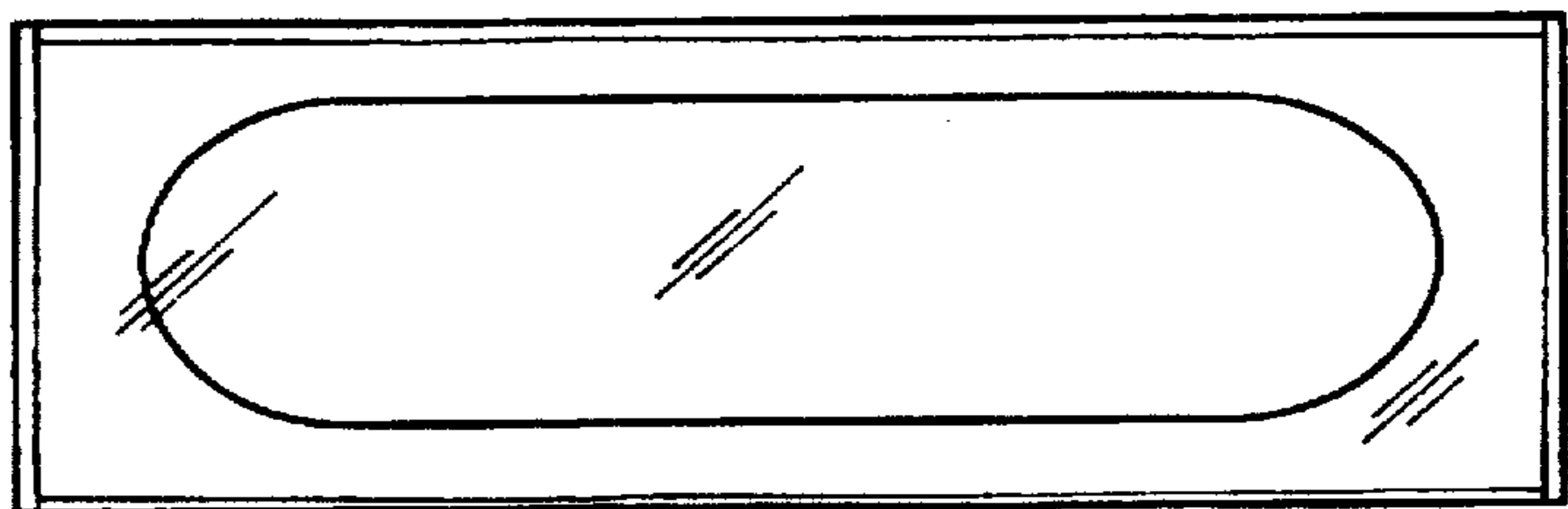


Fig. 4

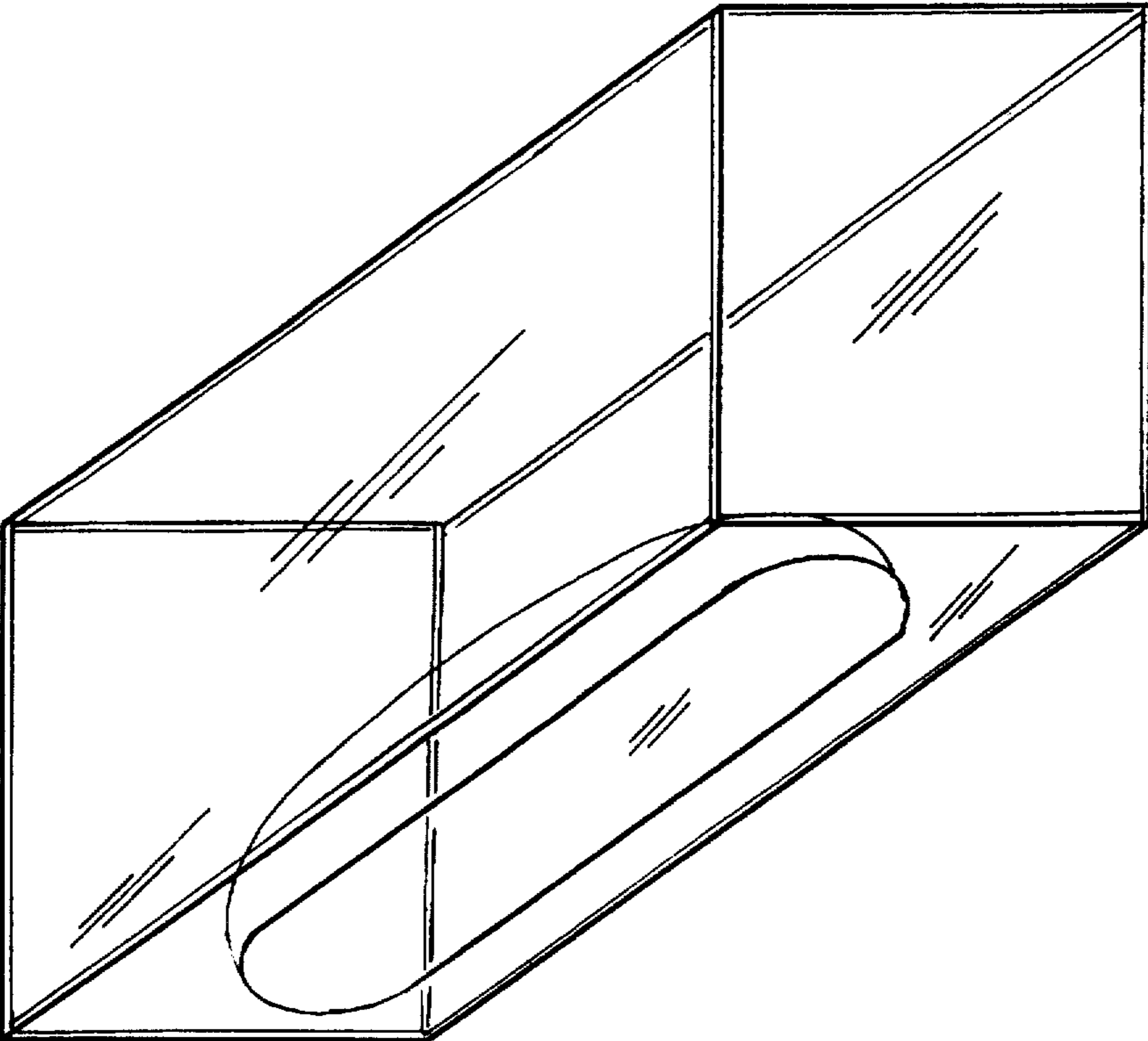


Fig. 5