

US00D397520S

United States Patent [19]
Ichikawa

[11] **Patent Number: Des. 397,520**
[45] **Date of Patent: **Aug. 25, 1998**

[54] **AQUARIUM TANK**

D. 366,735 1/1996 Ichikawa D30/101
5,471,952 12/1995 Tsuchiya 119/267

[75] **Inventor: Minoru Ichikawa, Tokyo, Japan**

FOREIGN PATENT DOCUMENTS

[73] **Assignee: Nisso Industry Co., Ltd., Tokyo, Japan**

1-33847 6/1992 Japan .
4-6560 6/1994 Japan .
3-38225 11/1994 Japan .
4-9194 11/1994 Japan .

[**] **Term: 14 Years**

4-9193 3/1993 Rep. of Korea D30/101
91-38226 4/1993 Rep. of Korea D30/101

[21] **Appl. No.: 61,317**

[22] **Filed: Oct. 22, 1996**

OTHER PUBLICATIONS

[51] **LOC (6) Cl. 30-02**

Aqualife Rain Forest brochure; Nov. 1992.

[52] **U.S. Cl. D30/101**

[58] **Field of Search 119/246-247, 267,
119/253, 256, 266; D6/477; D30/101-107**

Primary Examiner—Cathy Anne MacCormac
Attorney, Agent, or Firm—Oblon, Spivak, McClelland,
Maier & Neustadt, P.C.

[56] **References Cited**

[57] **CLAIM**

U.S. PATENT DOCUMENTS

The ornamental design for aquarium tank, as shown and described.

D. 357,556	4/1995	Hashimoto .	
D. 361,164	8/1995	Ichikawa	D30/101
D. 361,165	8/1995	Ichikawa	D30/101
D. 361,167	8/1995	Ichikawa	D30/101
D. 361,168	8/1995	Ichikawa	D30/101
D. 361,169	8/1995	Ichikawa	D30/101
D. 361,170	8/1995	Hashimoto .	
D. 361,171	8/1995	Ichikawa	D30/101
D. 361,412	8/1995	Ichikawa	D30/101
D. 361,413	8/1995	Ichikawa	D30/101
D. 361,870	8/1995	Ichikawa	D30/101
D. 361,871	8/1995	Ichikawa	D30/101
D. 362,088	9/1995	Ichikawa	D30/101
D. 366,350	1/1996	Ichikawa	D30/101

DESCRIPTION

FIG. 1 is a perspective view of an aquarium tank showing my new design;
FIG. 2 is a front elevational view thereof;
FIG. 3 is a rear elevational view thereof;
FIG. 4 is a top plan view thereof;
FIG. 5 is a bottom plan view thereof; and,
FIG. 6 is a right side elevational view thereof.

1 Claim, 4 Drawing Sheets

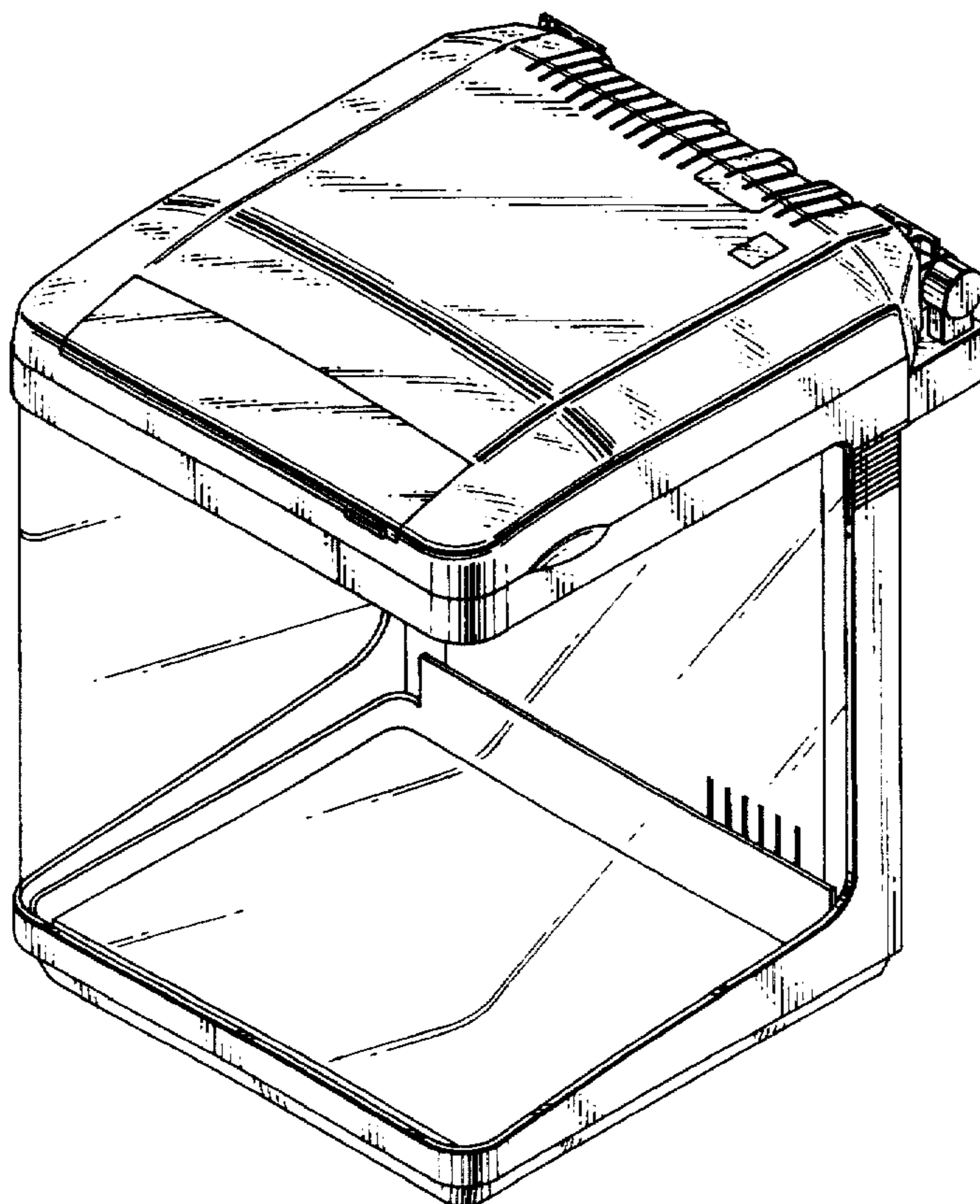


FIG. 1

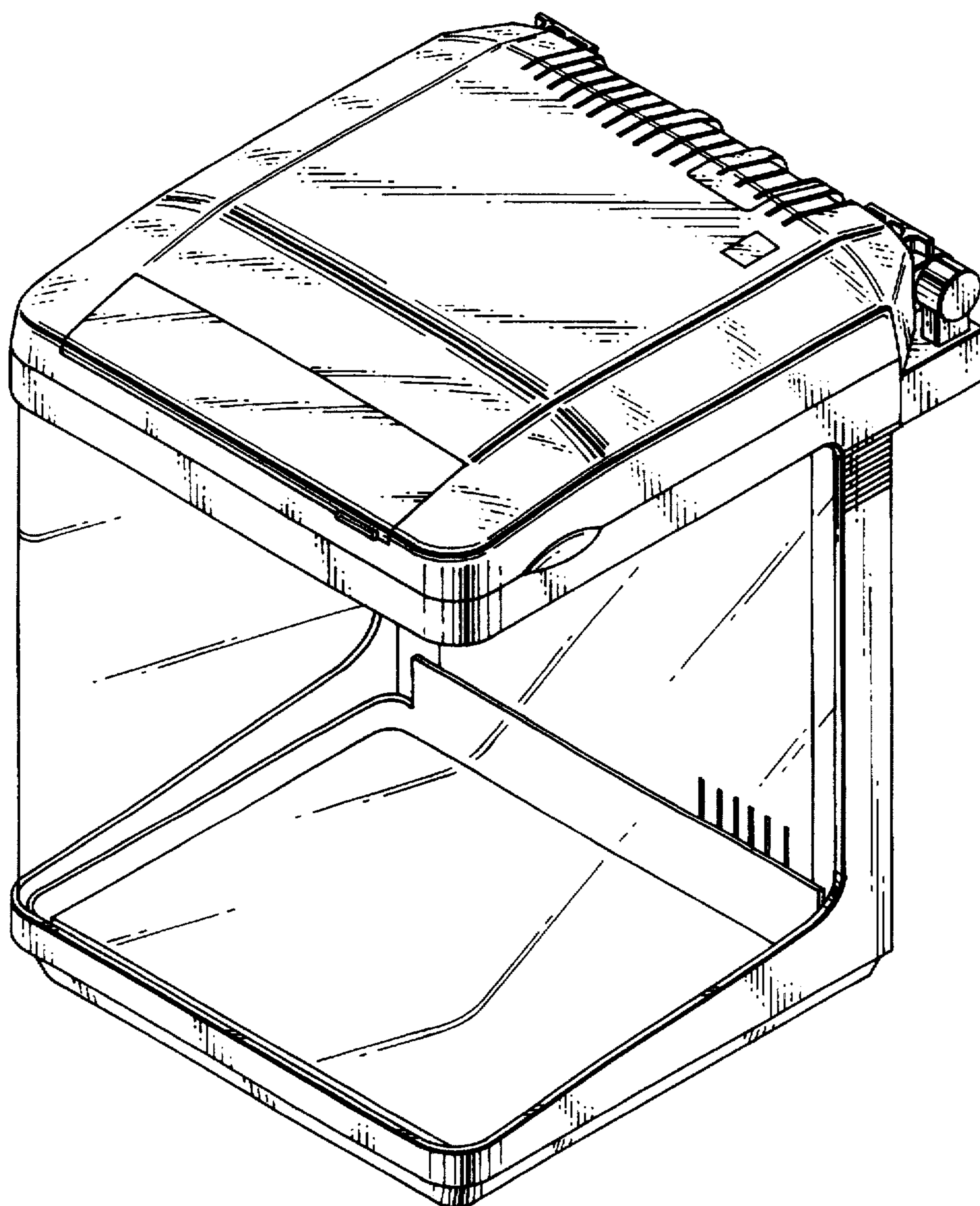


FIG. 2

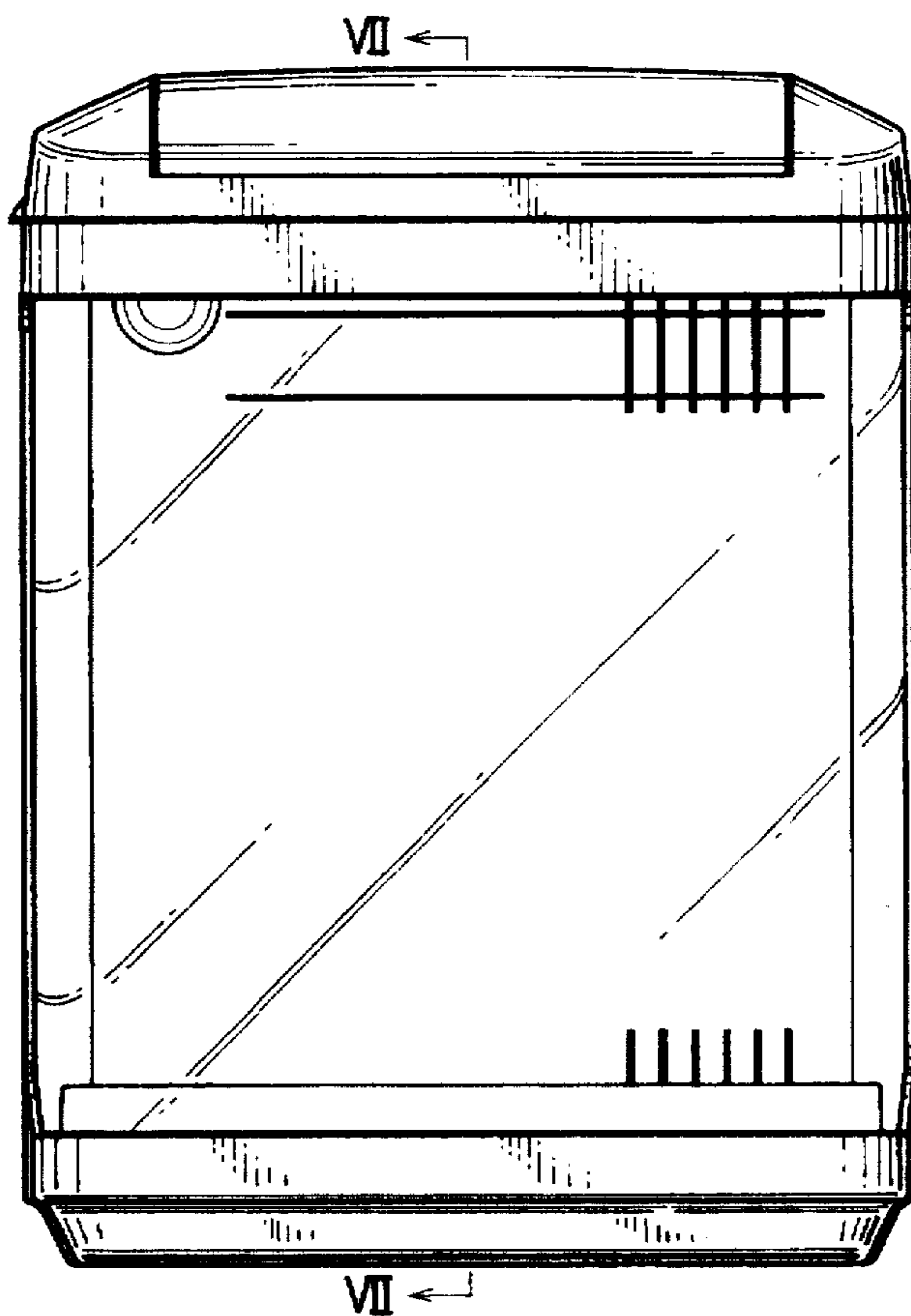


FIG. 3

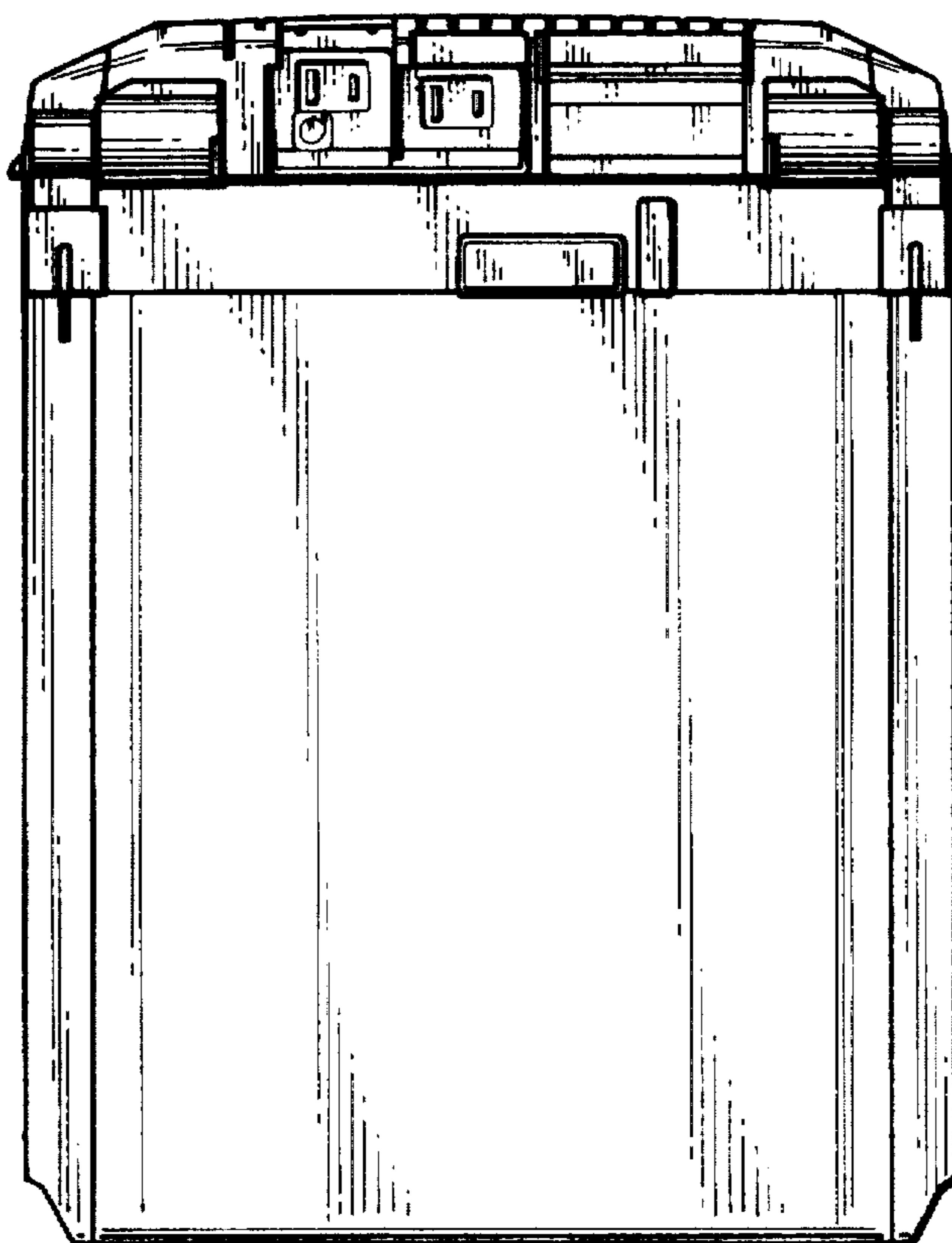


FIG. 4

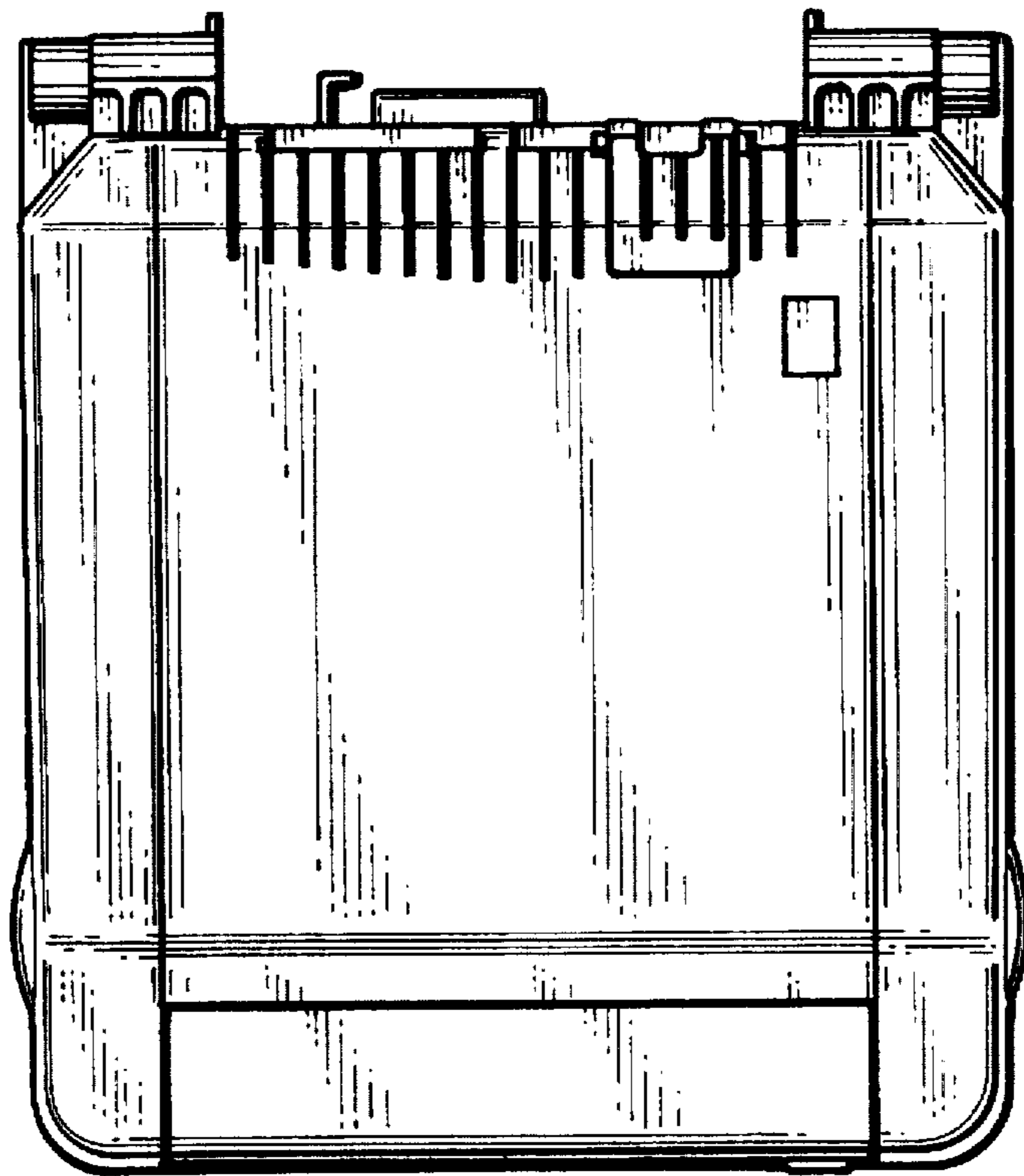


FIG. 5

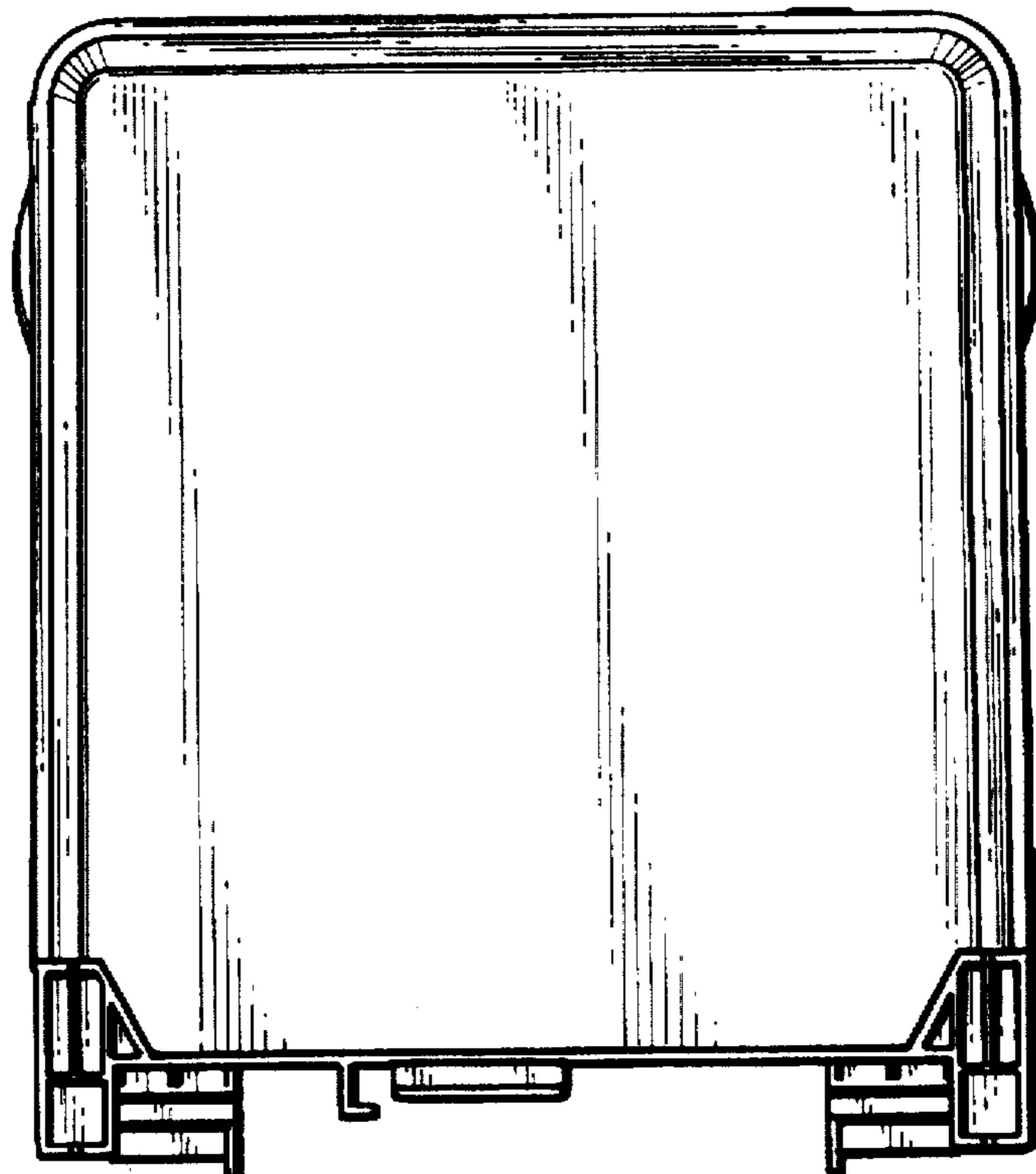


FIG. 6

