

US00D397519S

# United States Patent [19]

[11] Patent Number: Des. 397,519

Crupi et al.

[45] Date of Patent: \*\*Aug. 25, 1998

[54] PROTECTIVE MINE CLEARANCE HELMET

[75] Inventors: Vincent G. Crupi, Ottawa; Shaik M. Kalaam, Nepean; Alan J. S. Stanish, Ottawa; Richard J. L'Abbe, Ottawa; Christopher P. Graham, Ottawa, all of Canada

[73] Assignee: Med-Eng Systems Inc., Ottawa, Canada

[\*\*] Term: 14 Years

[21] Appl. No.: 62,539

[22] Filed: Nov. 18, 1996

[30] Foreign Application Priority Data

May 17, 1996 [CA] Canada ..... 1996-1166

[51] LOC (6) Cl. .... 09-03

[52] U.S. Cl. .... D29/107

[58] Field of Search ..... D29/102-107; 2/5, 6.1, 6.3, 6.4, 6.5, 6.7, 411, 423-425

[56] References Cited

U.S. PATENT DOCUMENTS

- D. 207,900 6/1967 Feldmann et al. .... D29/105
- D. 214,547 7/1969 Fisher ..... D29/105
- D. 215,137 9/1969 Fisher ..... D29/107

- D. 215,684 10/1969 Fisher ..... D29/105
- D. 253,197 10/1979 Jarvinen ..... D29/107
- D. 256,626 9/1980 Antonino ..... D29/107
- D. 283,940 5/1986 Bally ..... D29/107
- 5,230,101 7/1993 Hedges et al. .... 2/424
- 5,448,780 9/1995 Bath ..... 2/424

FOREIGN PATENT DOCUMENTS

1178752 12/1984 Canada .

Primary Examiner—Ruth McInroy  
Attorney, Agent, or Firm—Merchant, Gould, Smith, Edell, Welter & Schmidt

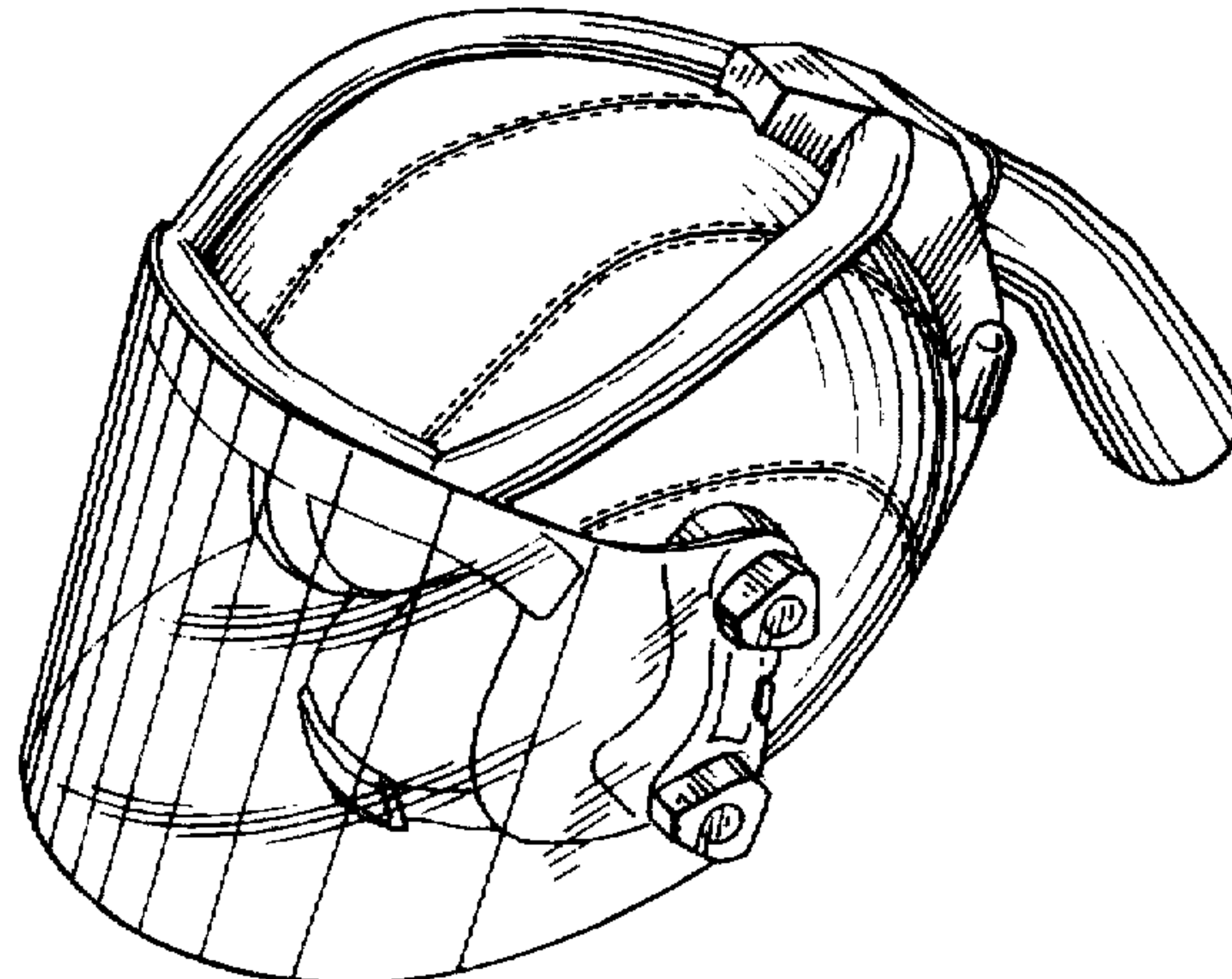
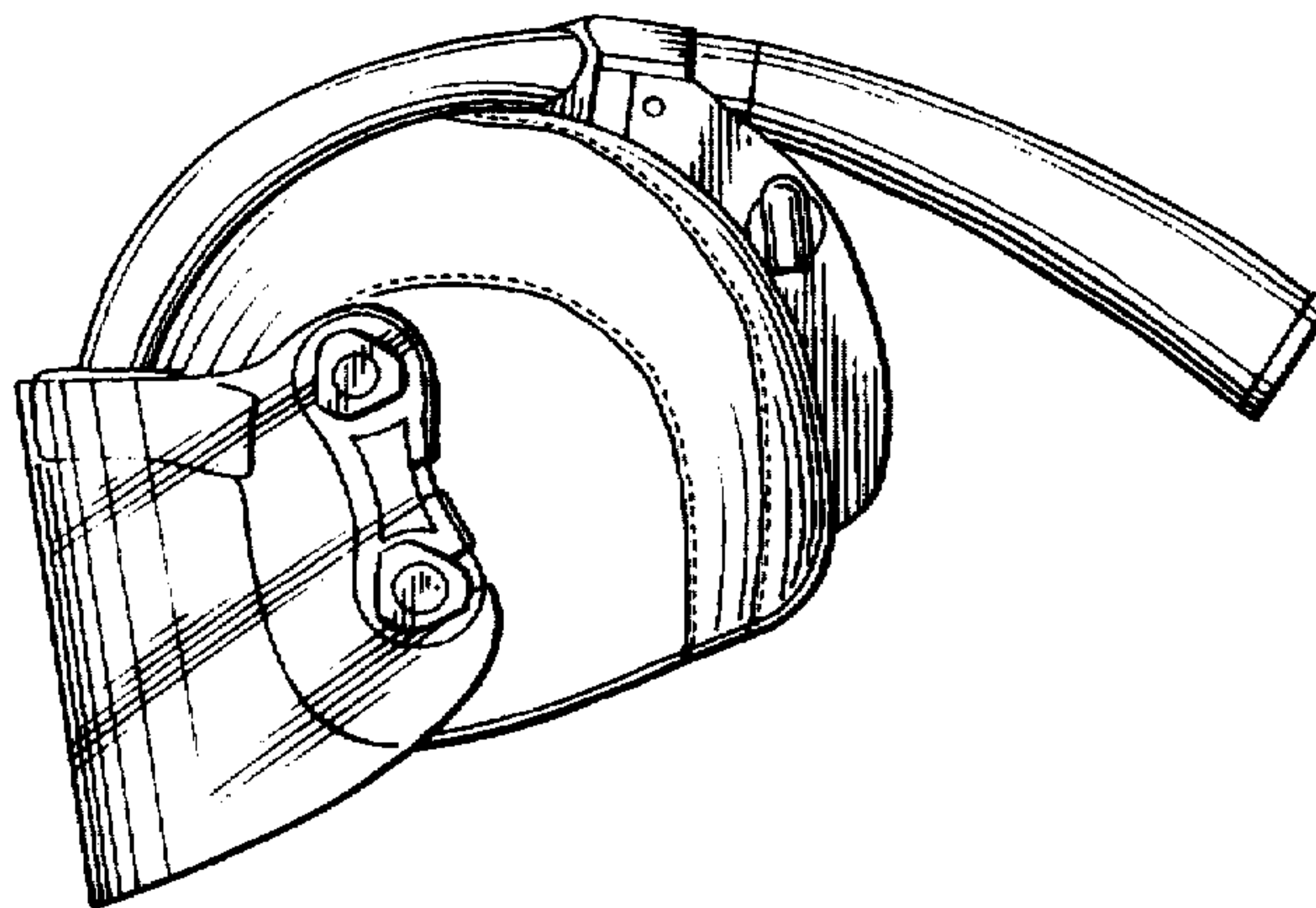
[57] CLAIM

The ornamental design for a protective mine clearance helmet, as shown and described.

DESCRIPTION

FIG. 1 is a left side elevational view of a protective mine clearance helmet showing our new design; FIG. 2 is a right side elevational view thereof; FIG. 3 is a front elevational view thereof; FIG. 4 is a rear elevational view thereof; FIG. 5 is a top plan view thereof; FIG. 6 is a bottom plan view thereof; and, FIG. 7 is a front perspective view thereof taken from the left side and above.

1 Claim, 4 Drawing Sheets



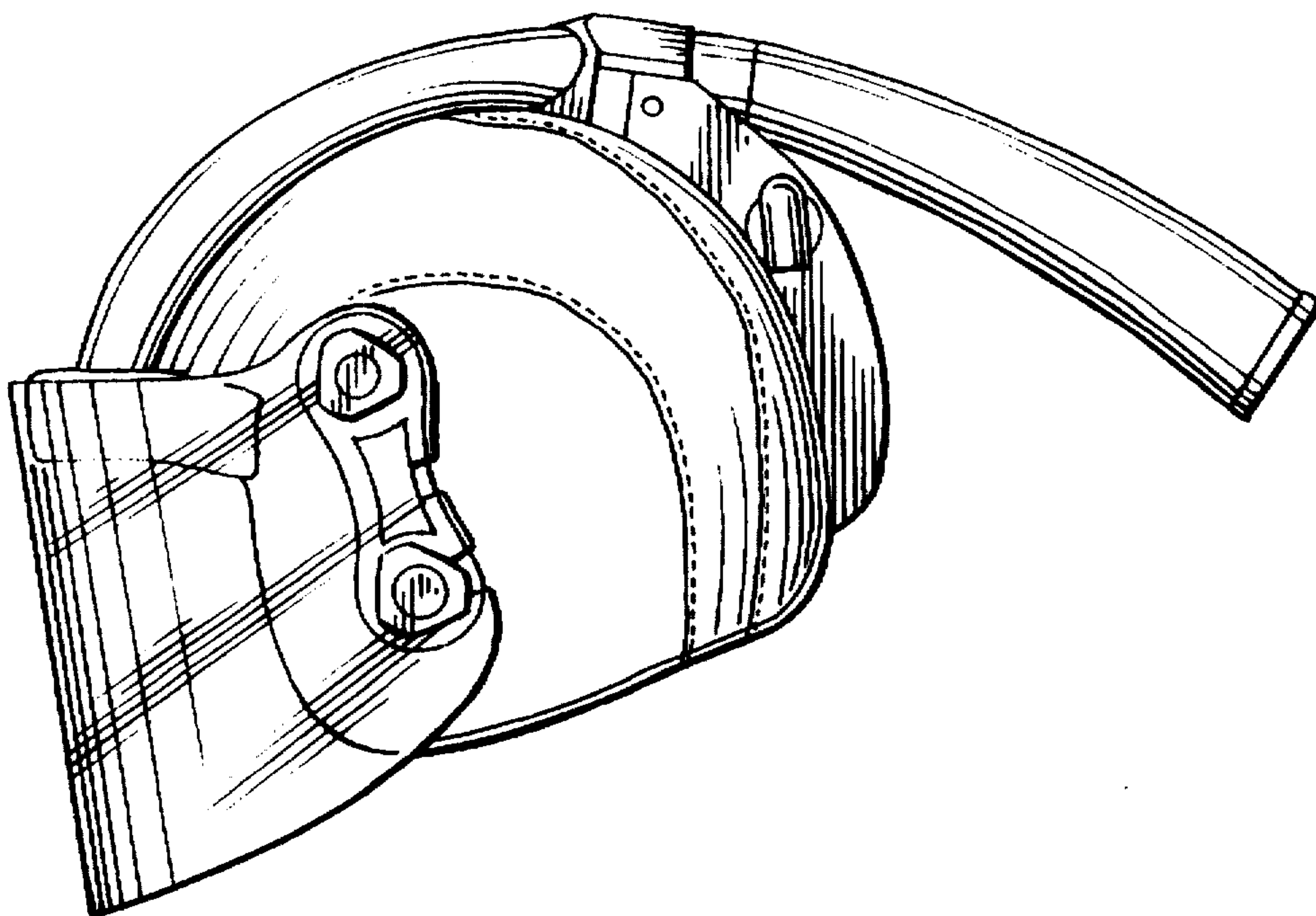


FIG. 1

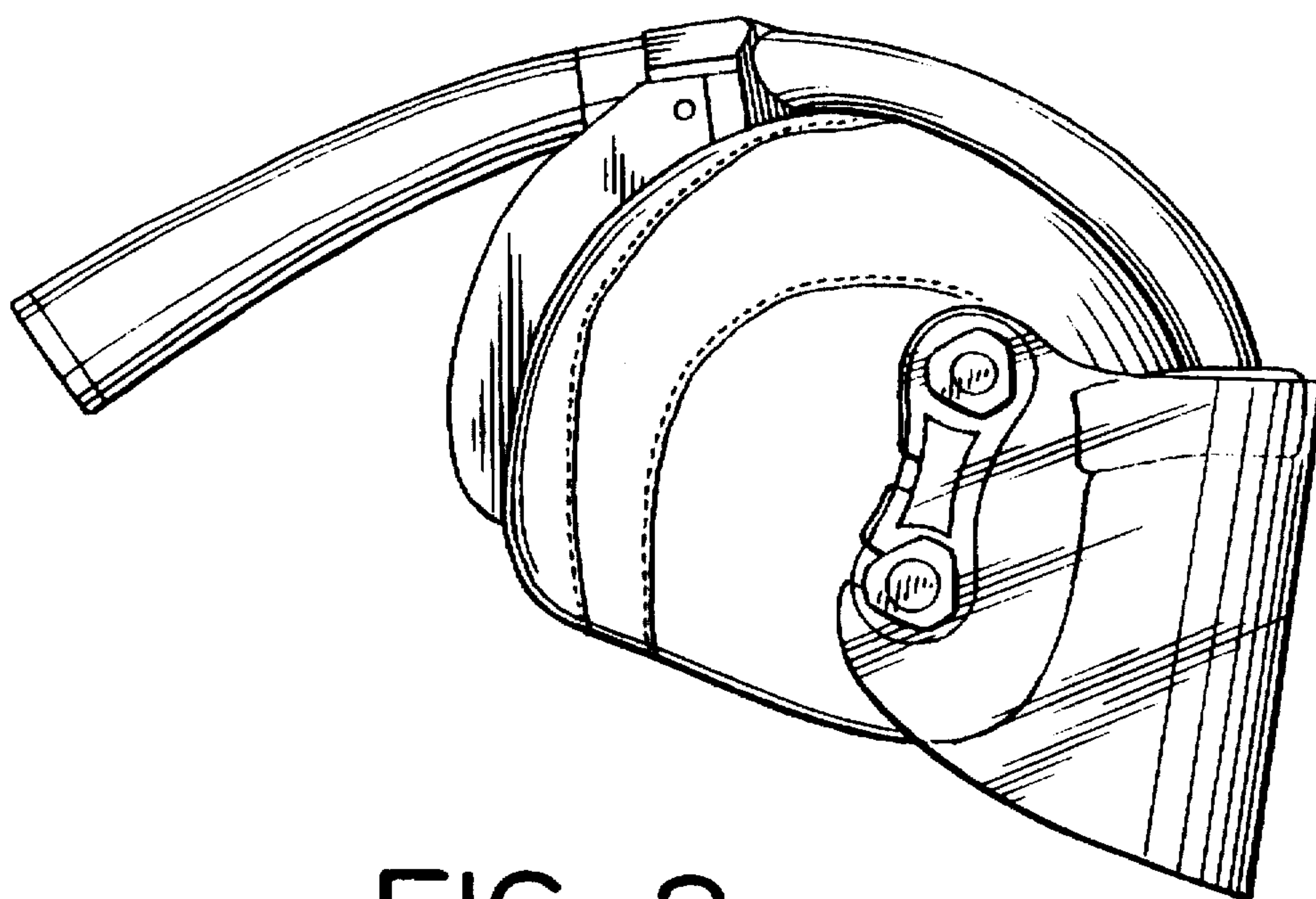


FIG. 2

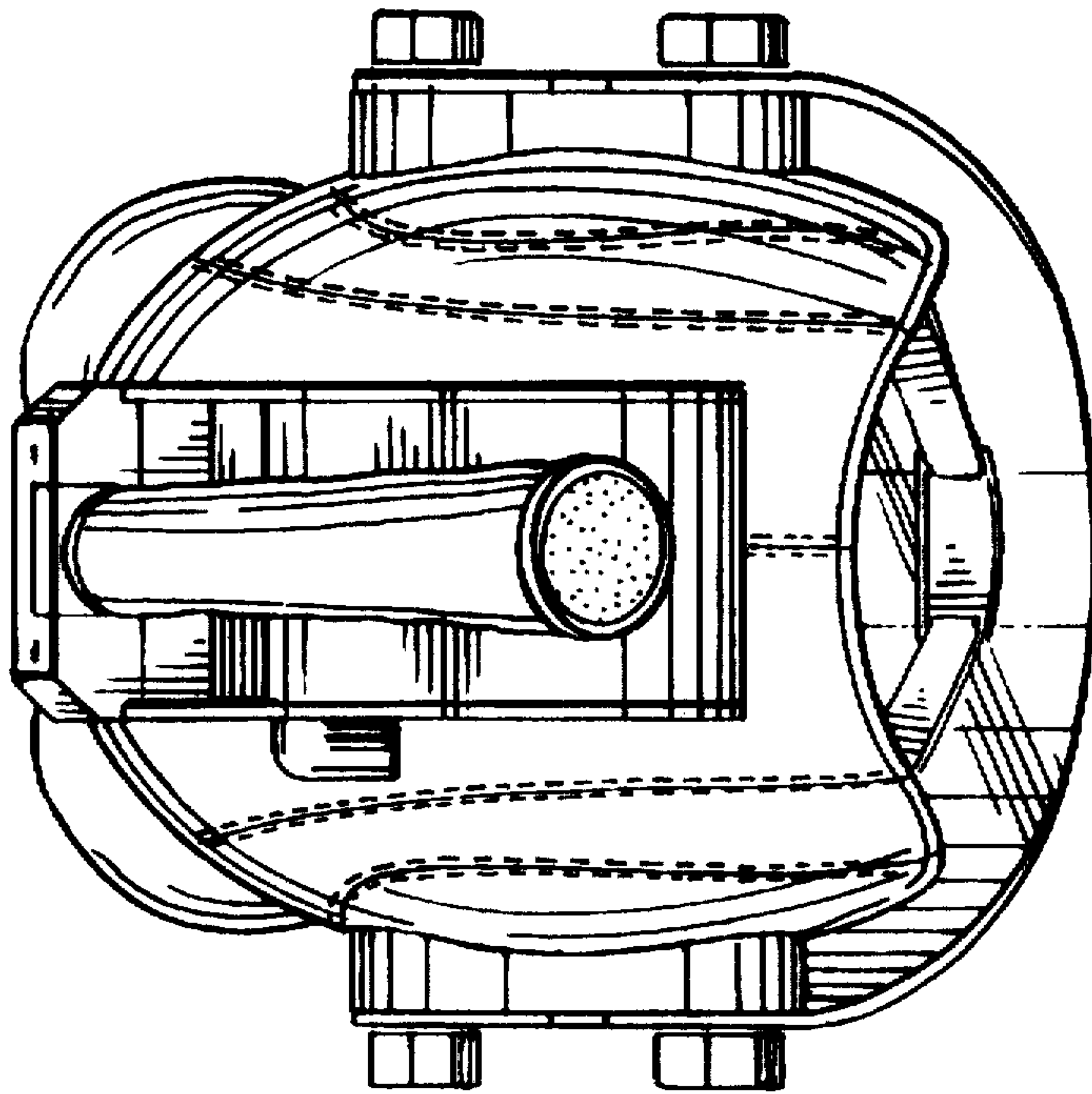


FIG. 4

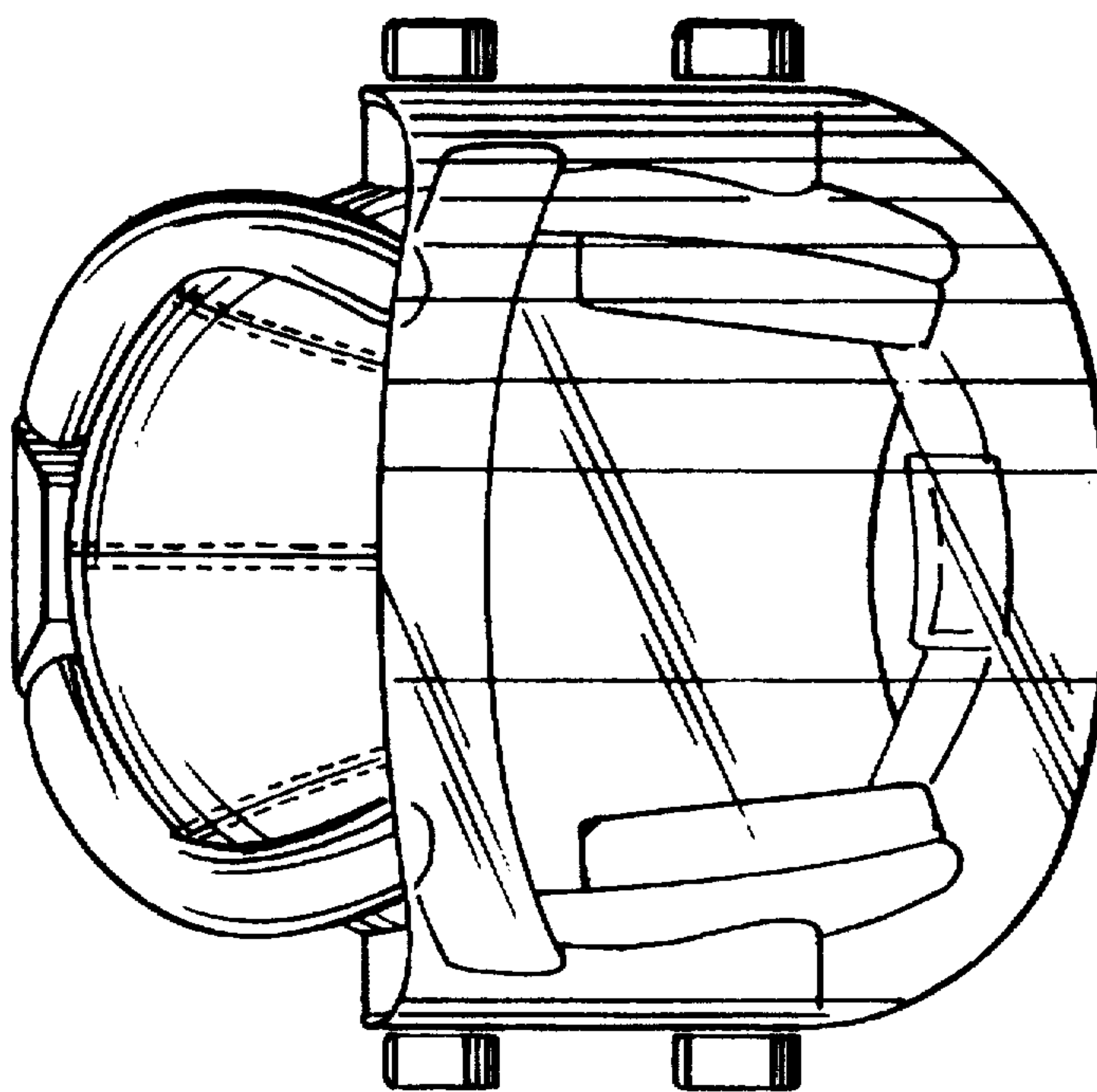


FIG. 3



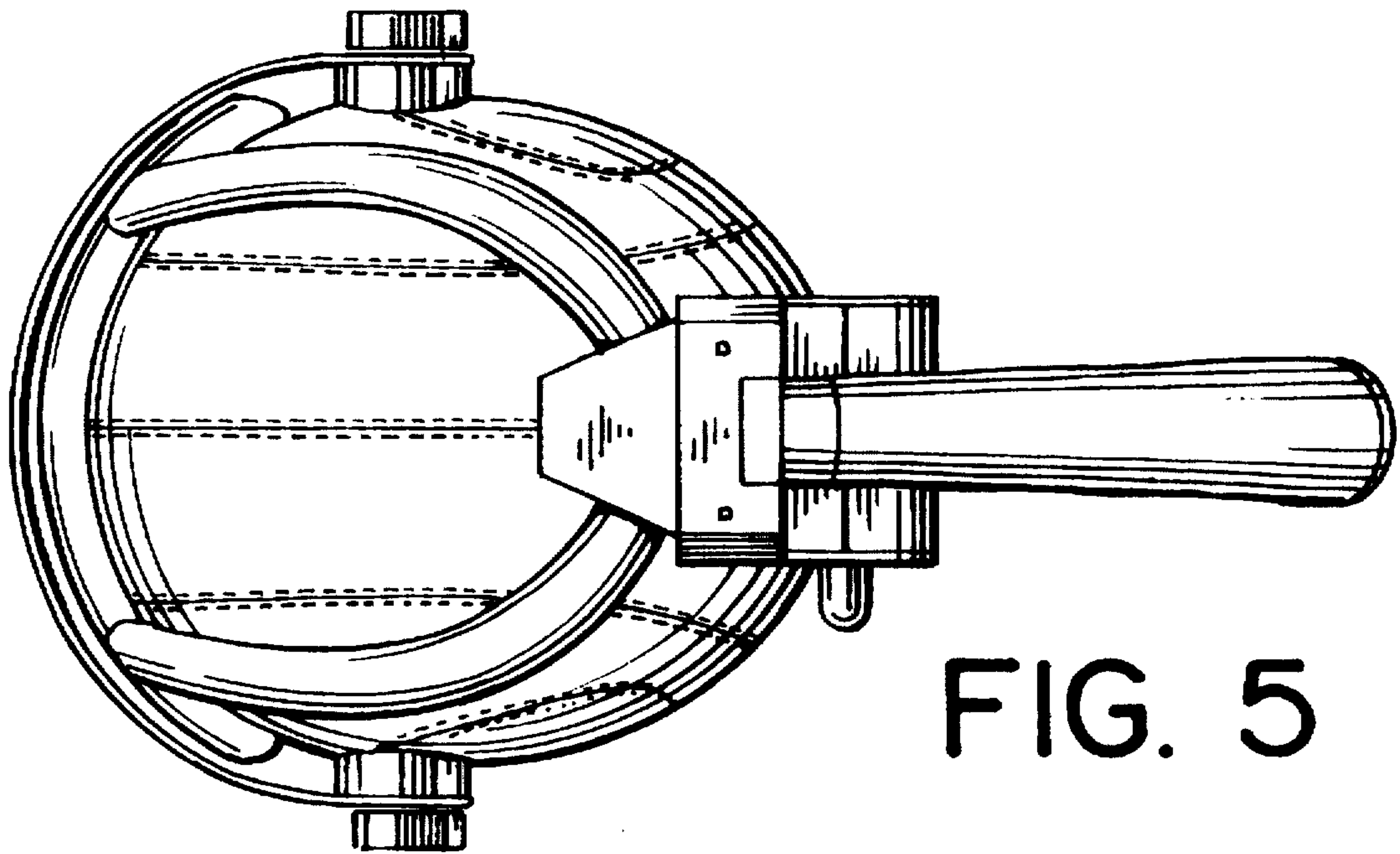


FIG. 5

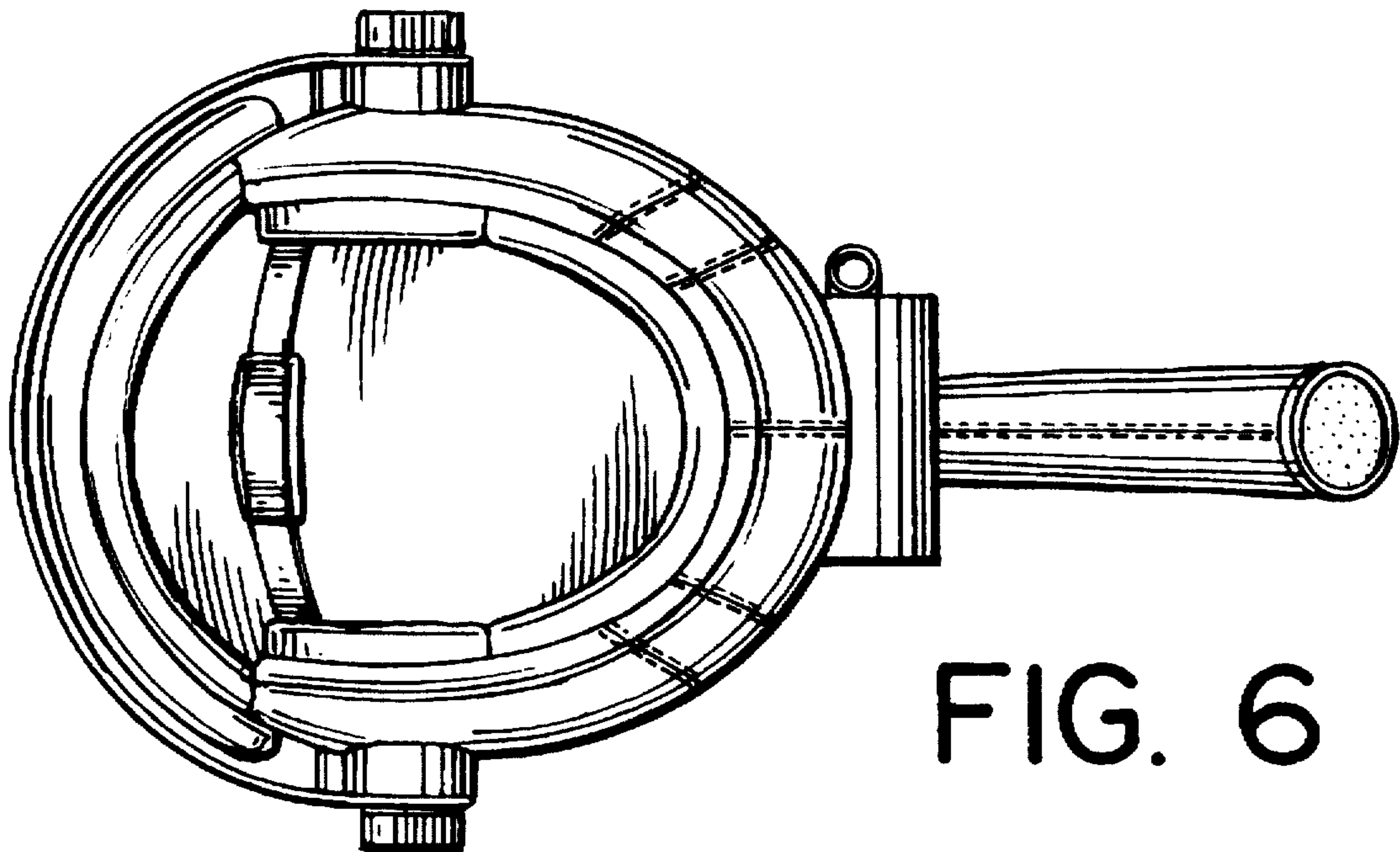


FIG. 6

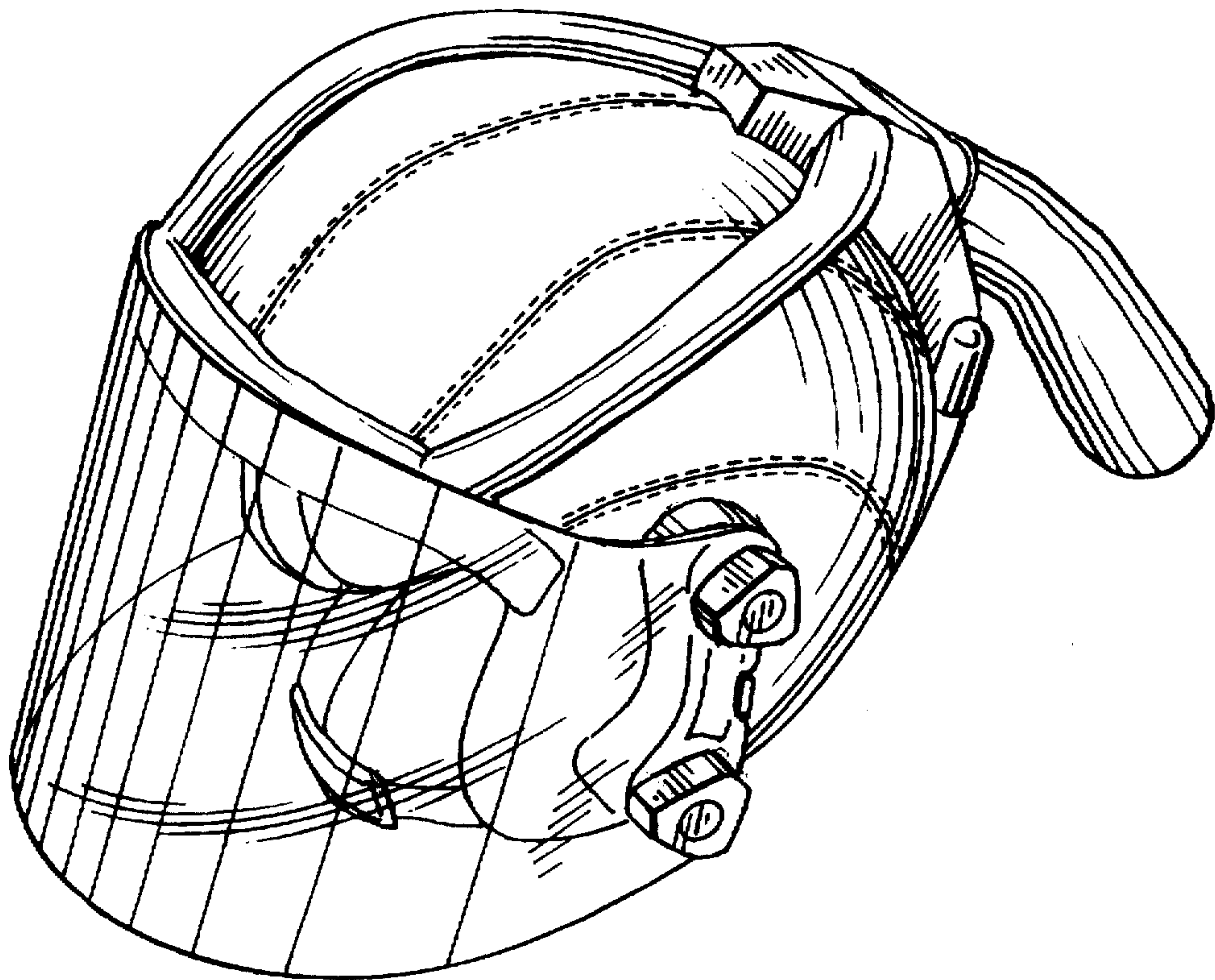


FIG. 7