

US00D397518S

United States Patent [19]

Kudo

[11] **Patent Number: Des. 397,518**

[45] **Date of Patent: **Aug. 25, 1998**

[54] **CASE FOR POWDER**

[75] **Inventor: Aoshi Kudo, Tokyo, Japan**

[73] **Assignee: Shiseido Co., Ltd., Tokyo, Japan**

[**] **Term: 14 Years**

[21] **Appl. No.: 75,757**

[22] **Filed: Aug. 22, 1997**

[51] **LOC (6) Cl. 28-03**

[52] **U.S. Cl. D28/91; D9/529; D9/548**

[58] **Field of Search D28/76-83, 91; D9/502-504, 529, 414, 420, 424; 132/293, 298-307; 206/581, 823; 220/DIG. 26**

[56] **References Cited**

U.S. PATENT DOCUMENTS

- D. 69,142 12/1925 Lalique D28/91
- D. 233,879 12/1974 Howard D28/7 X
- D. 236,037 7/1975 McCarthy D28/78 X
- D. 256,778 9/1980 Stahel, II D9/504
- D. 280,852 10/1985 Bakic D28/83
- D. 282,630 2/1986 Braun D9/504

- D. 303,584 9/1989 Bakic D28/91
- D. 350,837 9/1994 Kirby D28/82
- D. 382,669 8/1997 Litton D28/82
- 941,140 11/1909 Glover 206/262
- 2,792,349 5/1957 Le Vier et al. 510/148

Primary Examiner—Sandra L. Morris
Attorney, Agent, or Firm—Kanesaka & Takeuchi

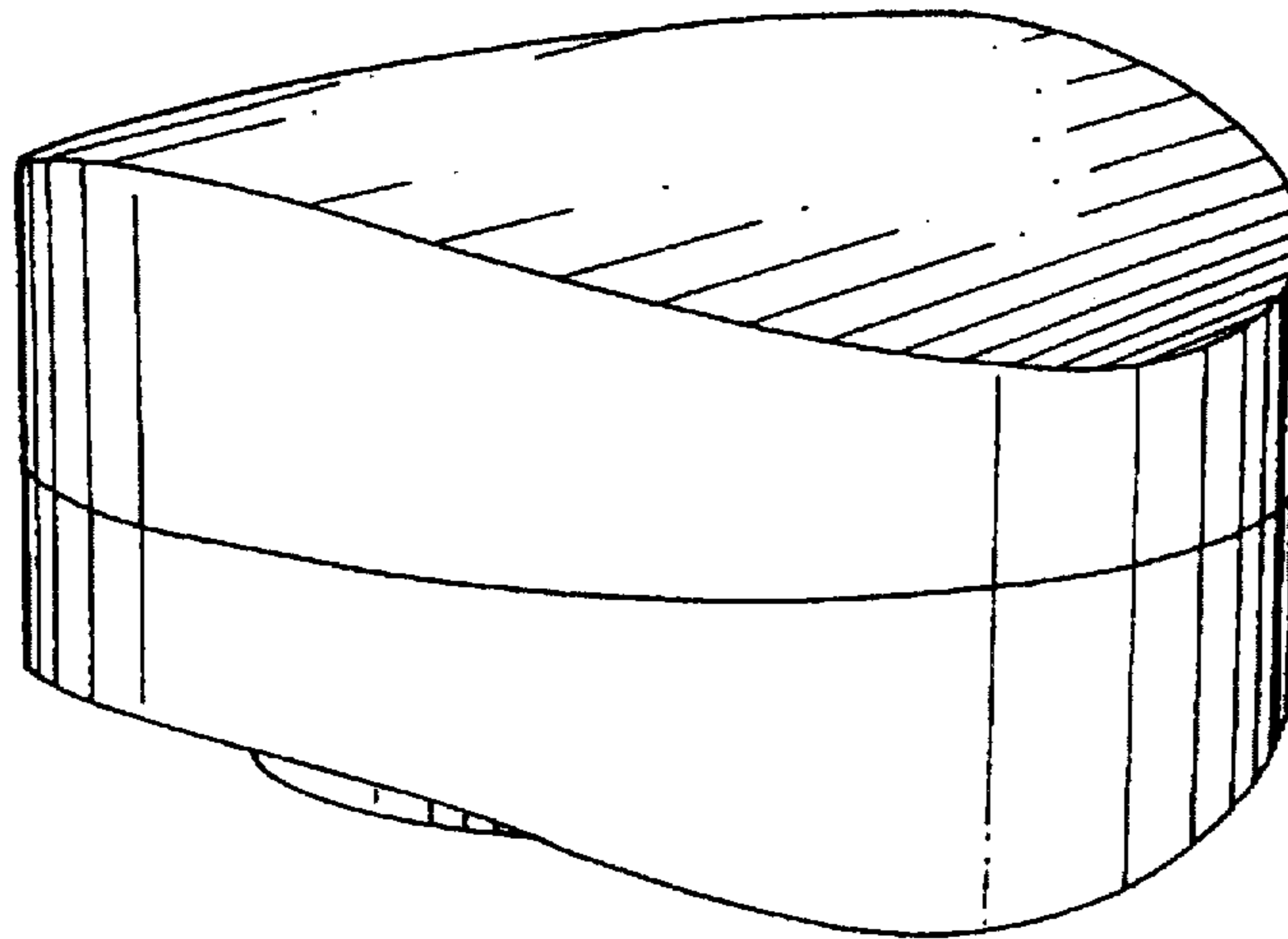
[57] **CLAIM**

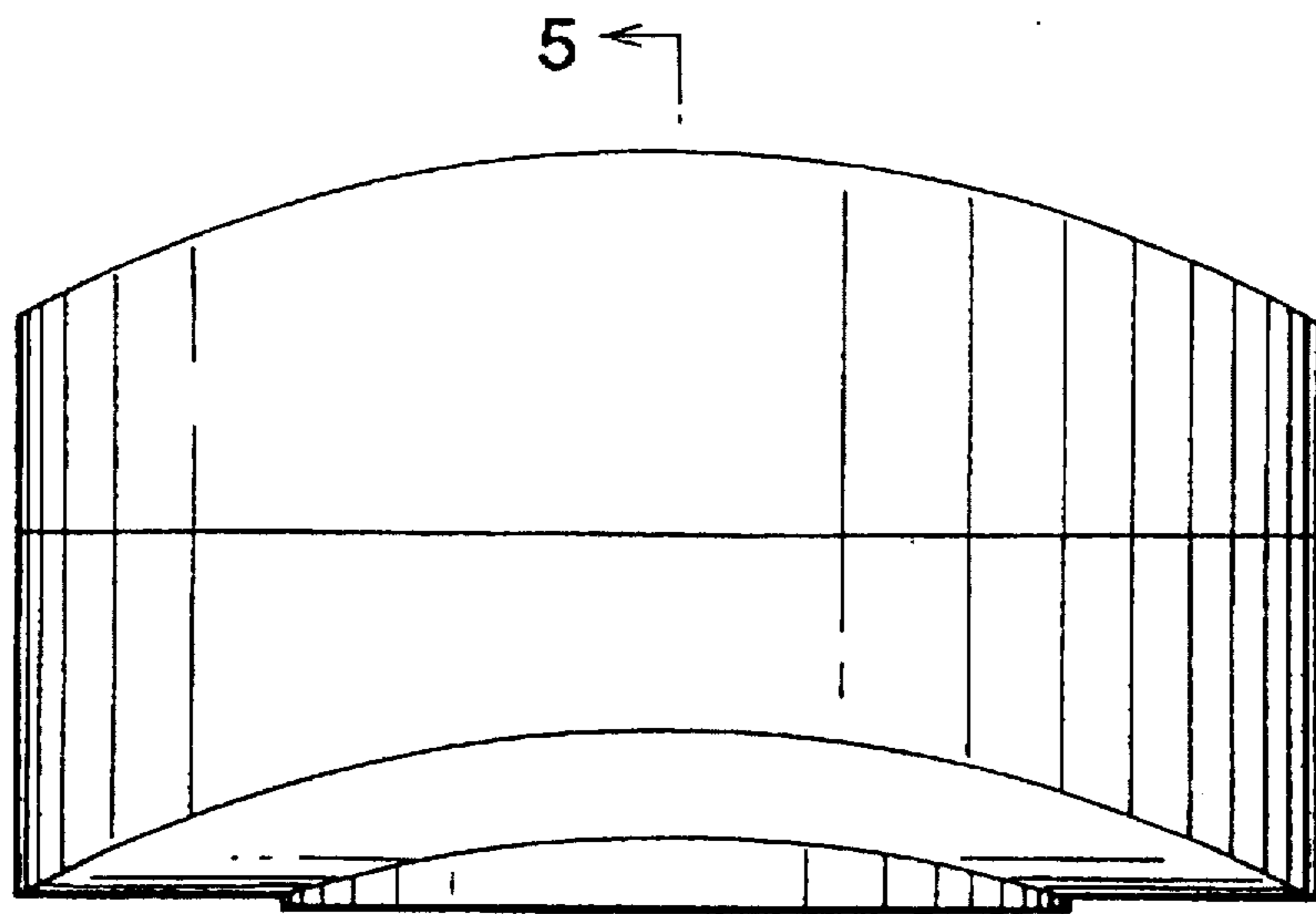
The ornamental design for a case for powder, as shown and described.

DESCRIPTION

FIG. 1 is a front view of a case for powder showing my new design, the rear view being identical to the front view; FIG. 2 is a top plan view thereof; FIG. 3 is a right side view thereof, the left side view being identical to the right side view; FIG. 4 is a bottom plan view thereof; FIG. 5 is a cross sectional view taken along line 5—5 in FIG. 1; and, FIG. 6 is a perspective view thereof.

1 Claim, 3 Drawing Sheets





5 ←

FIG. 1

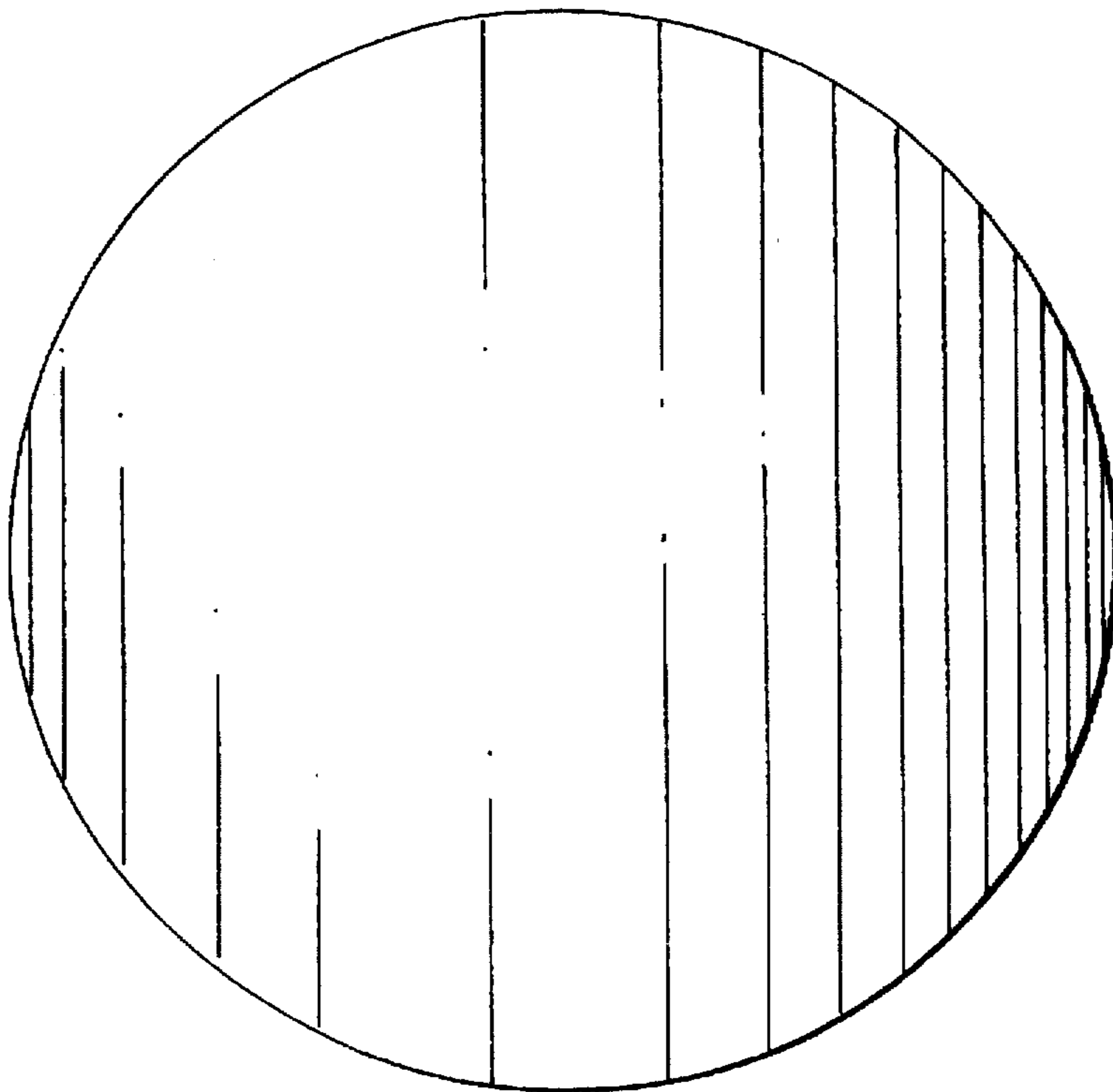


FIG. 2

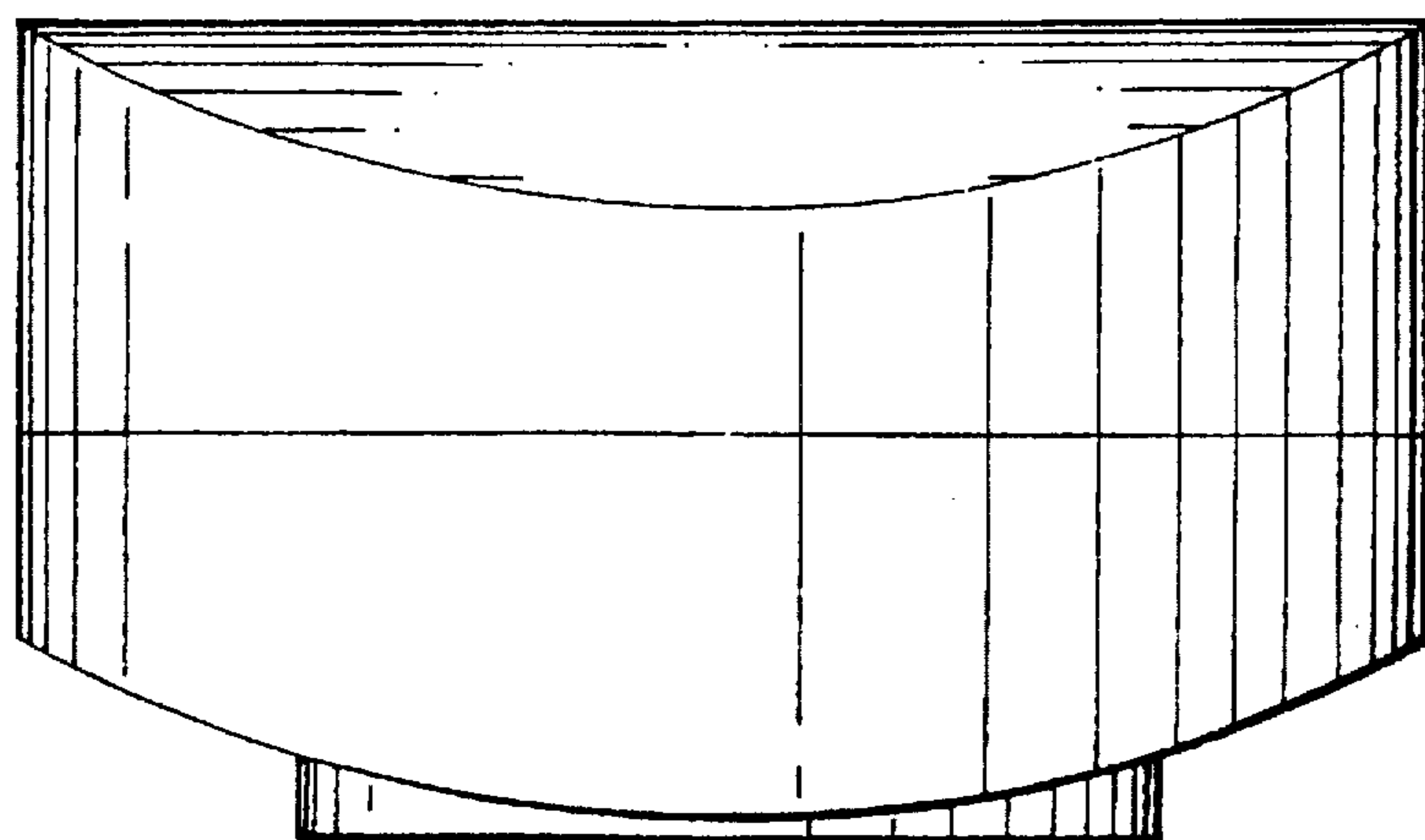


FIG. 3

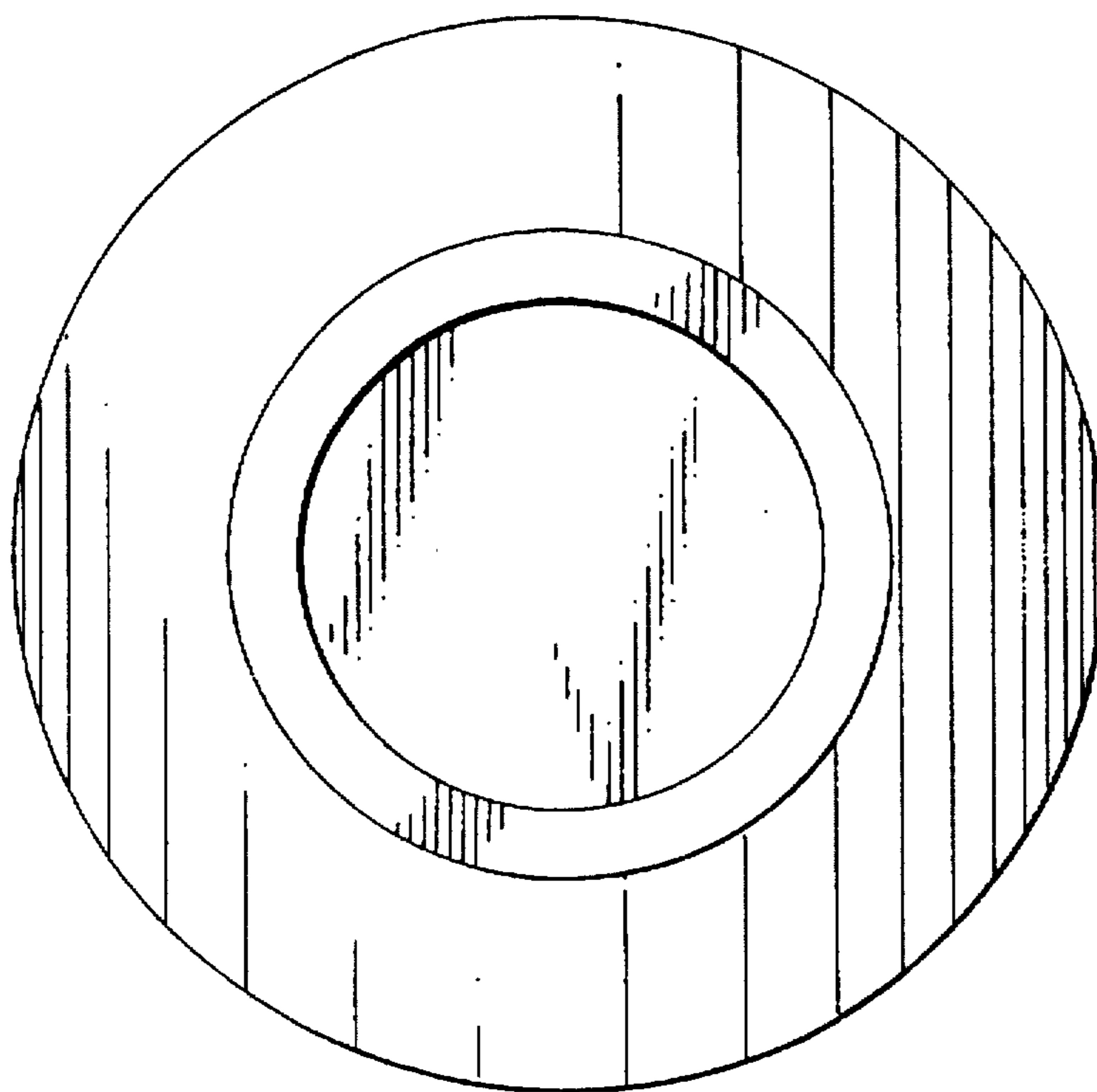


FIG. 4

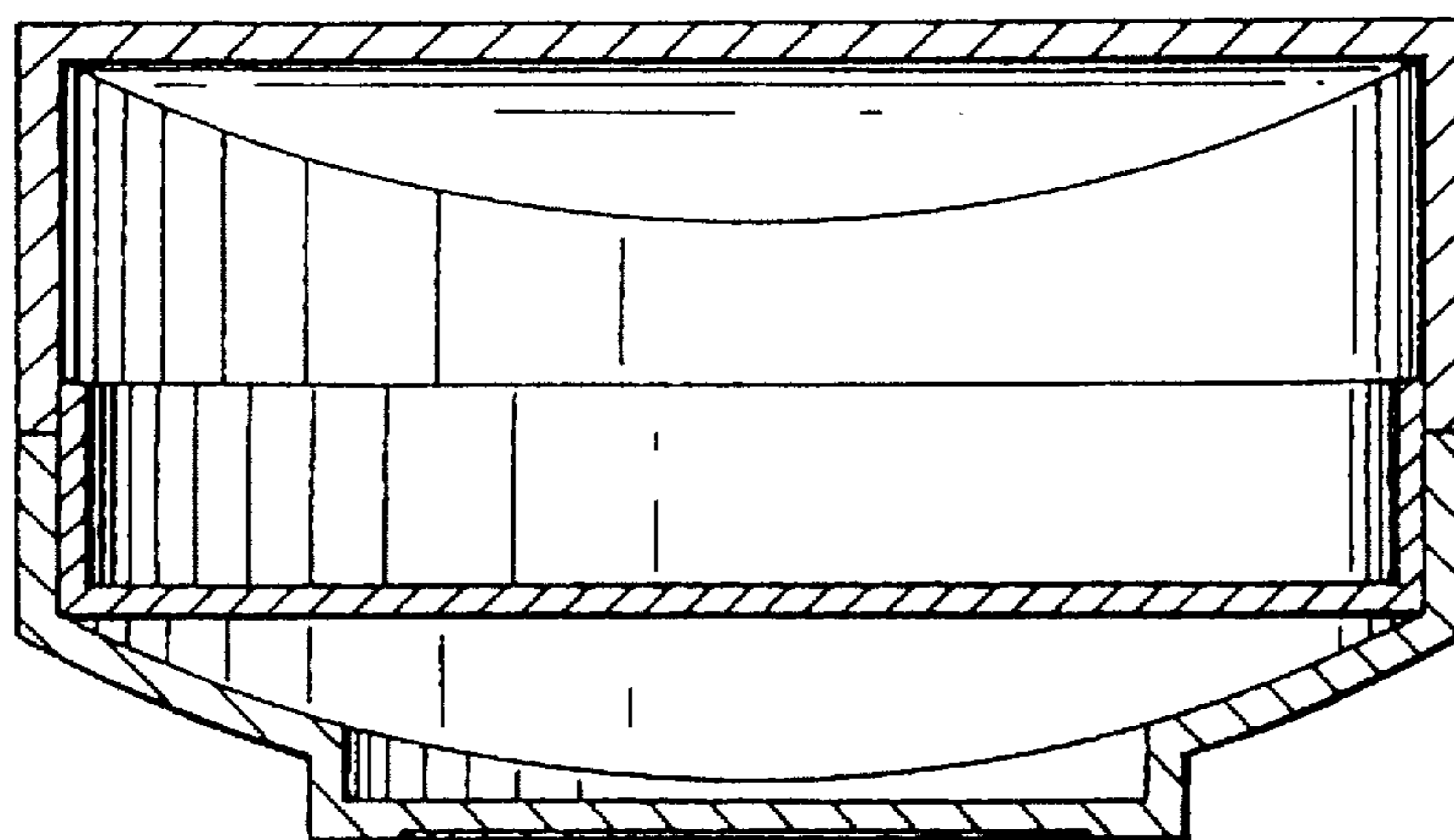


FIG. 5

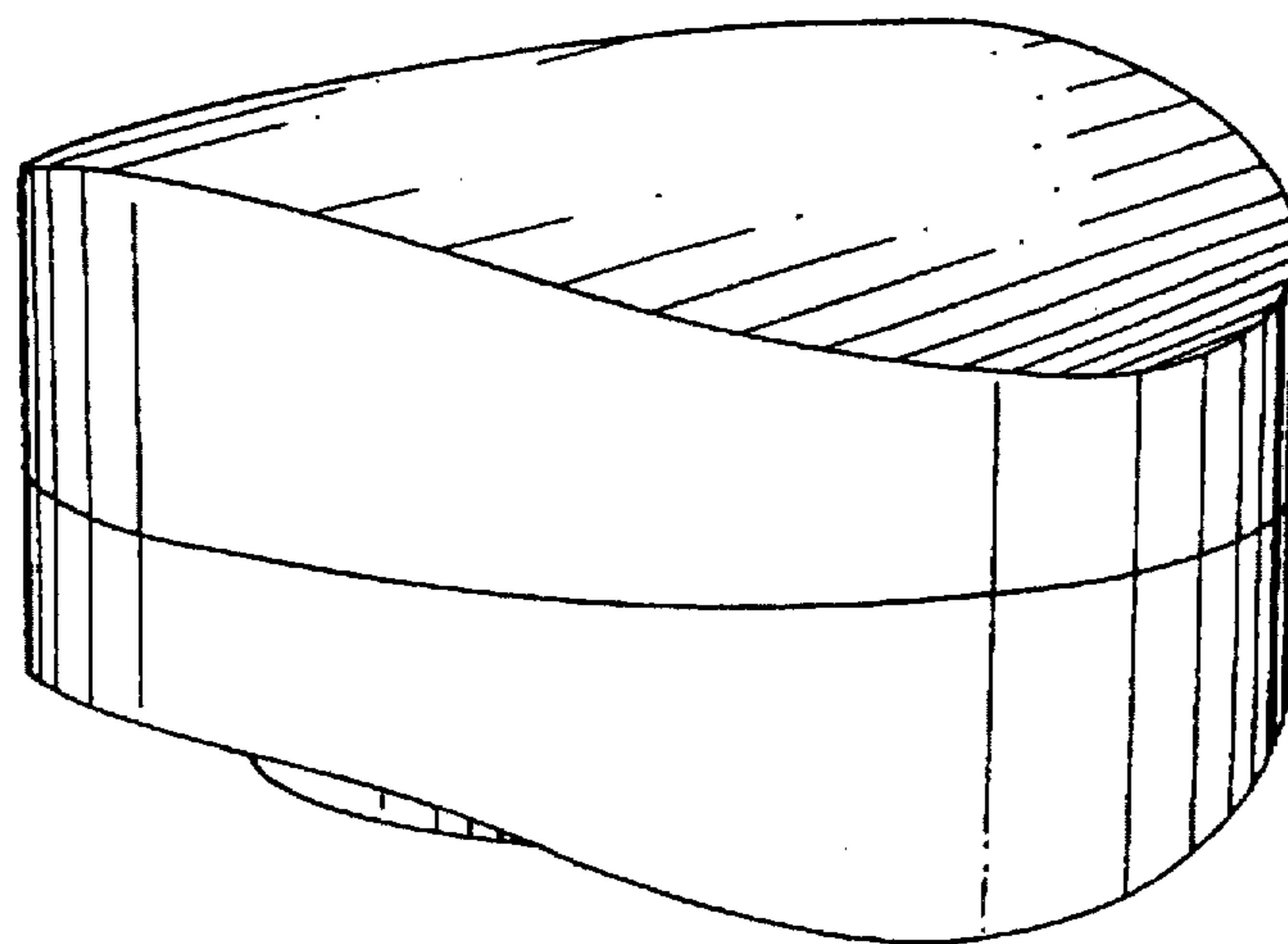


FIG. 6