



US00D397515S

**United States Patent** [19]  
**Salvino**

[11] **Patent Number: Des. 397,515**  
[45] **Date of Patent: \*\*Aug. 25, 1998**

[54] **NAIL FILE WITH ELONGATED HANDLE**

[75] **Inventor: Larry P. Salvino, Dundee, Ill.**

[73] **Assignee: Larry Salvino, Dundee, Ill.**

[\*\*] **Term: 14 Years**

[21] **Appl. No.: 60,992**

[22] **Filed: Oct. 8, 1996**

[51] **LOC (6) Cl. .... 28-03**

[52] **U.S. Cl. .... D28/59**

[58] **Field of Search ..... D28/56, 57, 59,  
D28/62; 132/73, 73.5, 75.3, 76.6, 76.4,  
76.5, 75**

[56] **References Cited**

**U.S. PATENT DOCUMENTS**

- D. 133,008 7/1942 McCall ..... D28/59 X
- D. 253,851 1/1980 Sperry ..... D28/59
- D. 260,304 8/1981 Rosenberg ..... D28/59
- D. 281,729 12/1985 Mast ..... D28/59
- 5,287,863 2/1994 Lajoie et al. .... D28/59 X

**FOREIGN PATENT DOCUMENTS**

- 400917 8/1909 France ..... 132/76.4
- 426083 6/1911 France ..... 132/76.4

**OTHER PUBLICATIONS**

Hong Kong Enterprise Feb. 1993, p. 427: nail file indicated by arrow.

*Primary Examiner*—Catherine Tuttle  
*Attorney, Agent, or Firm*—Banner & Witcoff

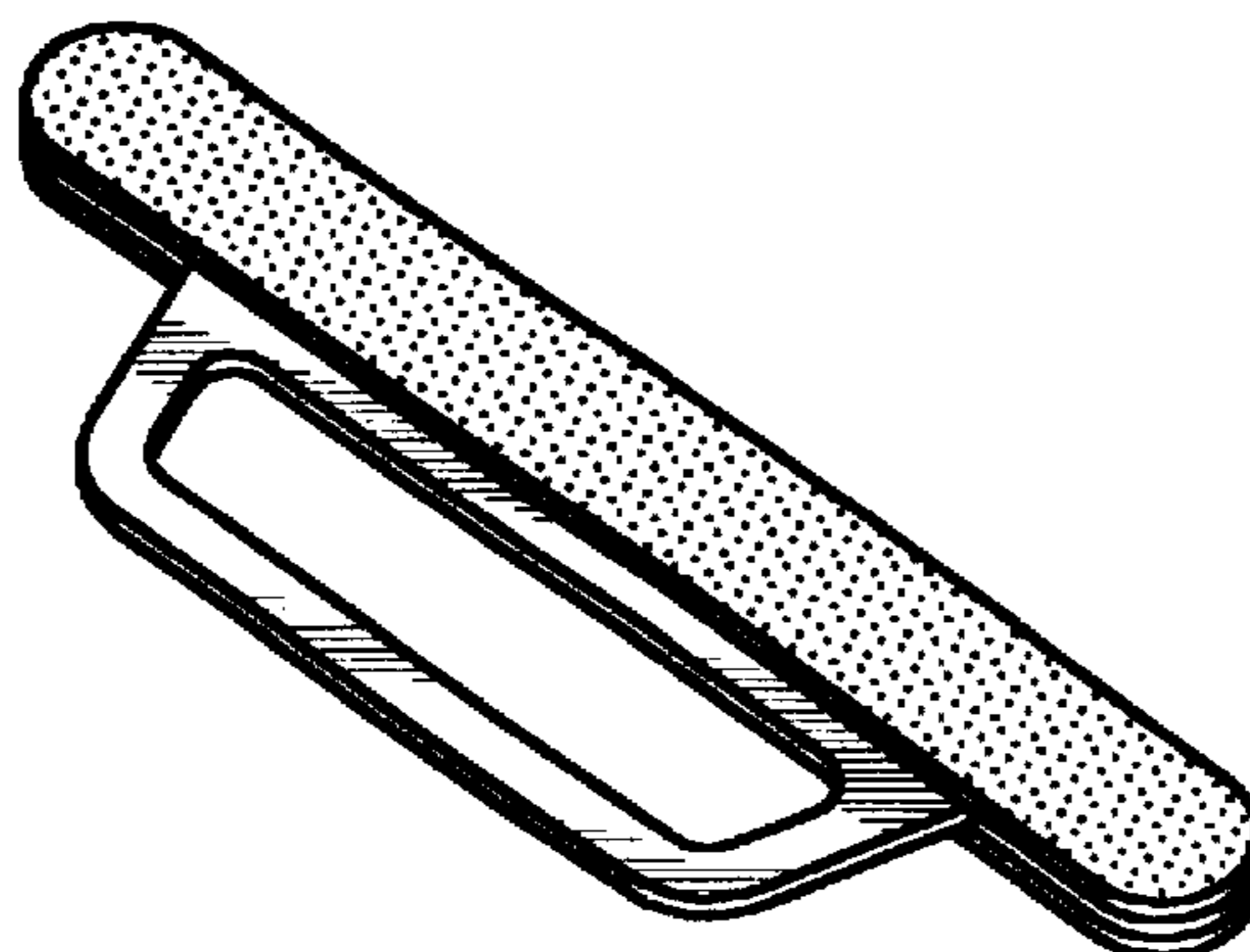
[57] **CLAIM**

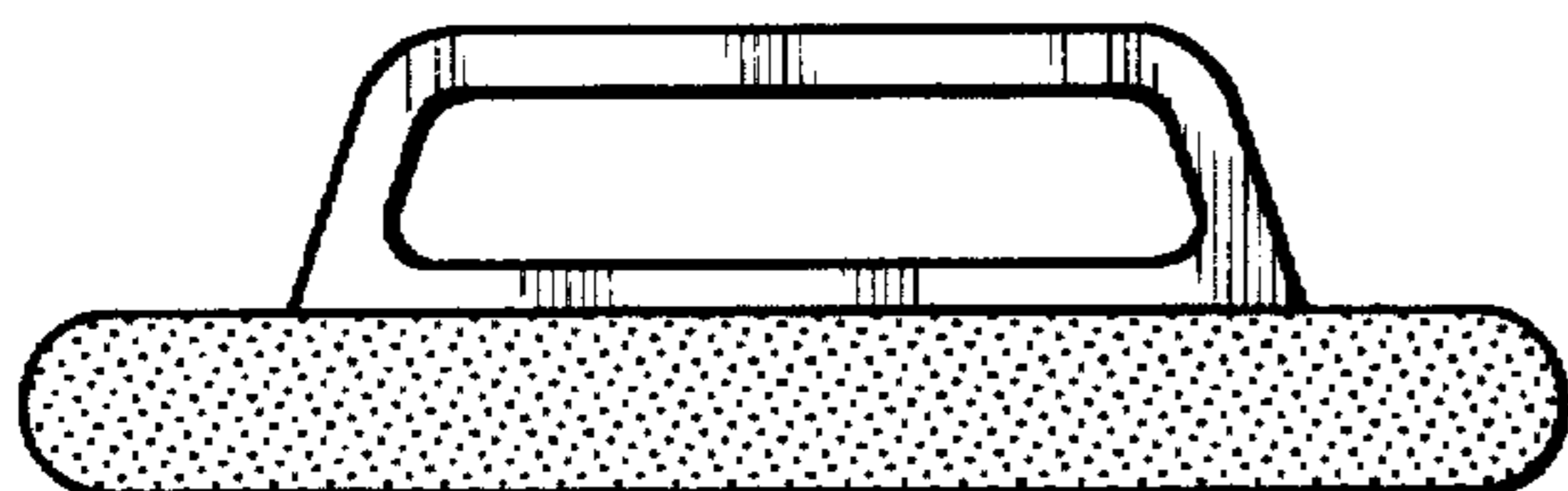
The ornamental design for a nail file with elongated handle, as shown and described.

**DESCRIPTION**

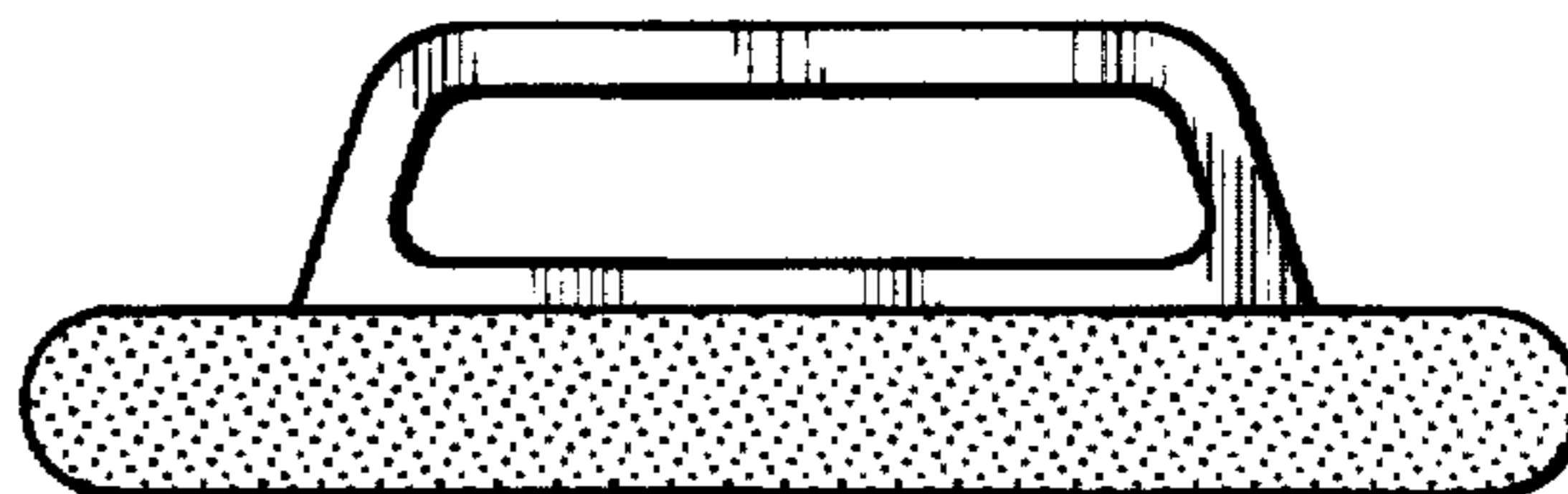
FIG. 1 is a right side view of a nail file showing my new design;  
FIG. 2 is a left side view thereof;  
FIG. 3 is a front end view thereof;  
FIG. 4 is a rear left end view thereof;  
FIG. 5 is a top view thereof;  
FIG. 6 is a bottom view thereof; and,  
FIG. 7 is a perspective view thereof.

**1 Claim, 1 Drawing Sheet**





*Fig. 1*



*Fig. 2*



*Fig. 3*



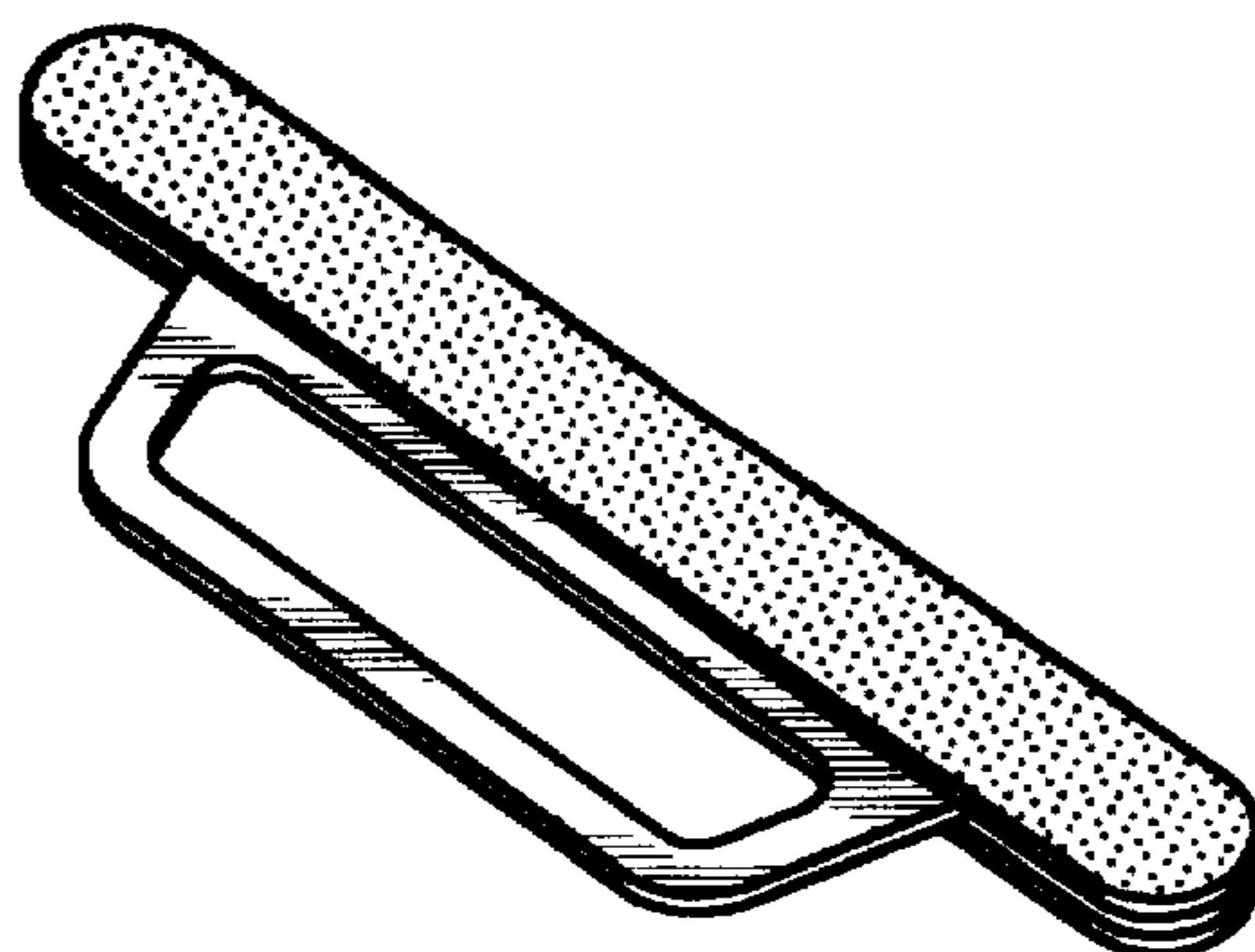
*Fig. 4*



*Fig. 5*



*Fig. 6*



*Fig. 7*