



US00D397509S

United States Patent [19]
Shvadron

[11] **Patent Number:** **Des. 397,509**
[45] **Date of Patent:** ****Aug. 25, 1998**

[54] **COMBINED WAX DEPILATOR AND BASE**

[75] **Inventor:** **Hagai Shvadron, Ramat Hasharon, Israel**

[73] **Assignee:** **Mepro Co. Kibbutz Hagoshrim (1987) Ltd., Upper Galilee, Israel**

[**] **Term:** **14 Years**

[21] **Appl. No.:** **49,660**

[22] **Filed:** **Jan. 26, 1996**

[51] **LOC (6) Cl.** **28-03**

[52] **U.S. Cl.** **D28/10**

[58] **Field of Search** **D28/7, 9, 10, 61, D28/73, 77, 99; D9/517, 543, 337, 548, 338, 512, 529, 530, 575; 401/1, 131, 195, 208, 218-220; 132/212, 333; 606/134**

[56] **References Cited**

U.S. PATENT DOCUMENTS

| | | | | | |
|------------|--------|--------------|-------|---------|---|
| D. 223,602 | 5/1972 | Hoffman | | D9/548 | X |
| D. 262,519 | 1/1982 | McIlvain | | D9/543 | X |
| D. 334,712 | 4/1993 | Turner-Adams | | D9/338 | X |
| D. 345,501 | 3/1994 | Prince | | D9/338 | |
| 1,571,254 | 2/1926 | Foote | | 401/131 | |

| | | | | | |
|-----------|--------|-------------|-------|---------|---|
| 2,610,580 | 9/1952 | Burke | | 401/220 | X |
| 4,773,784 | 9/1988 | Mann | | 401/1 | |
| 5,308,182 | 5/1994 | Lampert | | 401/219 | |
| 5,322,382 | 6/1994 | Hull et al. | | 401/131 | |

FOREIGN PATENT DOCUMENTS

| | | | | | |
|---------|--------|----------------|-------|---------|--|
| 59857 | 9/1938 | Norway | | 401/208 | |
| 1115861 | 5/1968 | United Kingdom | | 401/219 | |

Primary Examiner—Ted Shooman
Assistant Examiner—C. Tuttle
Attorney, Agent, or Firm—Staas & Halsey

[57] **CLAIM**

The ornamental design for a combined wax depilator and base, as shown.

DESCRIPTION

FIG. 1 is a perspective view of the combined wax depilator and base of the present invention;
FIG. 2 is a front elevational view thereof;
FIG. 3 is a rear elevational view thereof;
FIG. 4 is a right side elevational view thereof;
FIG. 5 is a left side elevational view thereof;
FIG. 6 is a top plan view thereof; and,
FIG. 7 is a bottom plan view thereof.

1 Claim, 4 Drawing Sheets

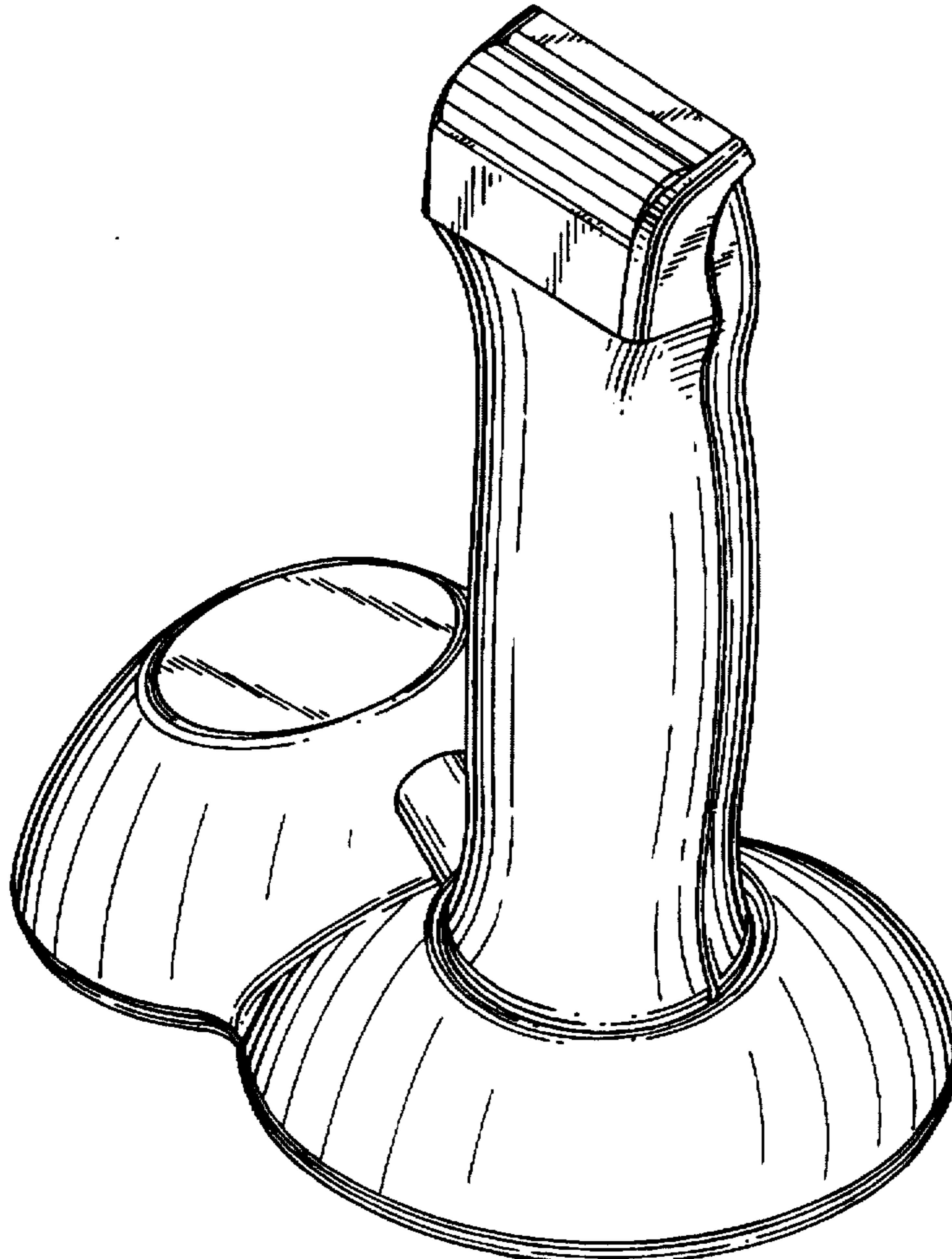


FIG. 1

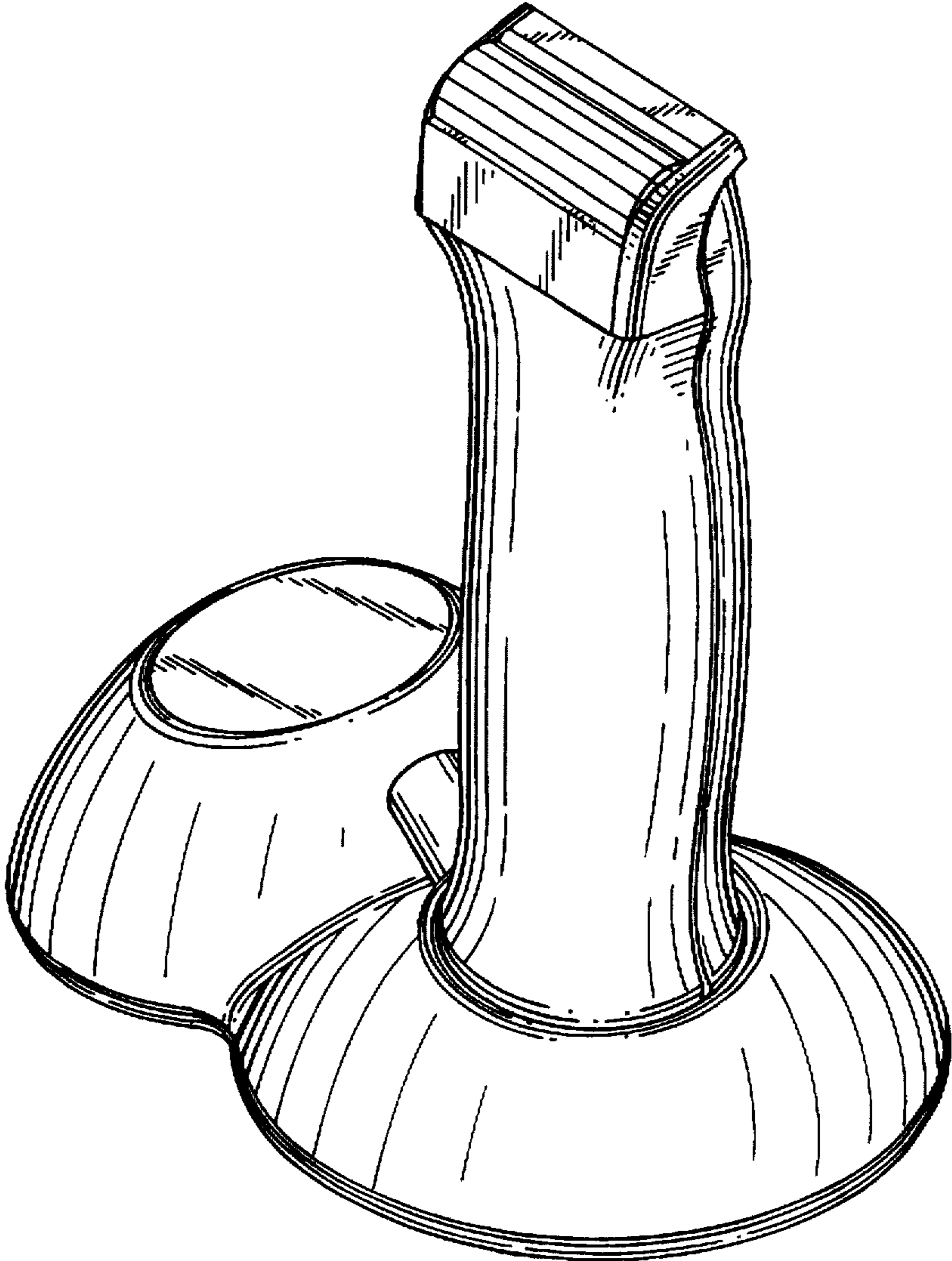


FIG. 3

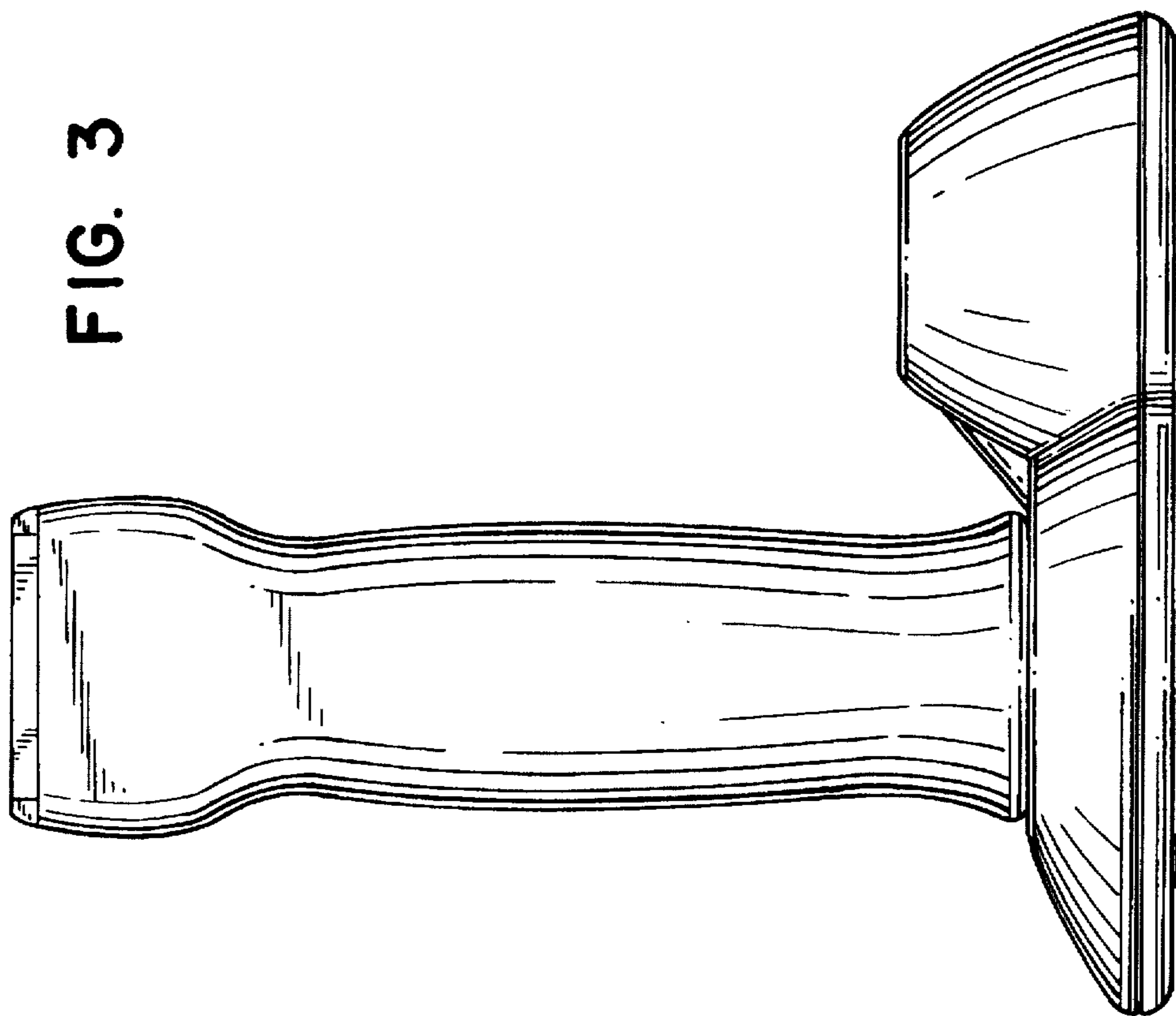
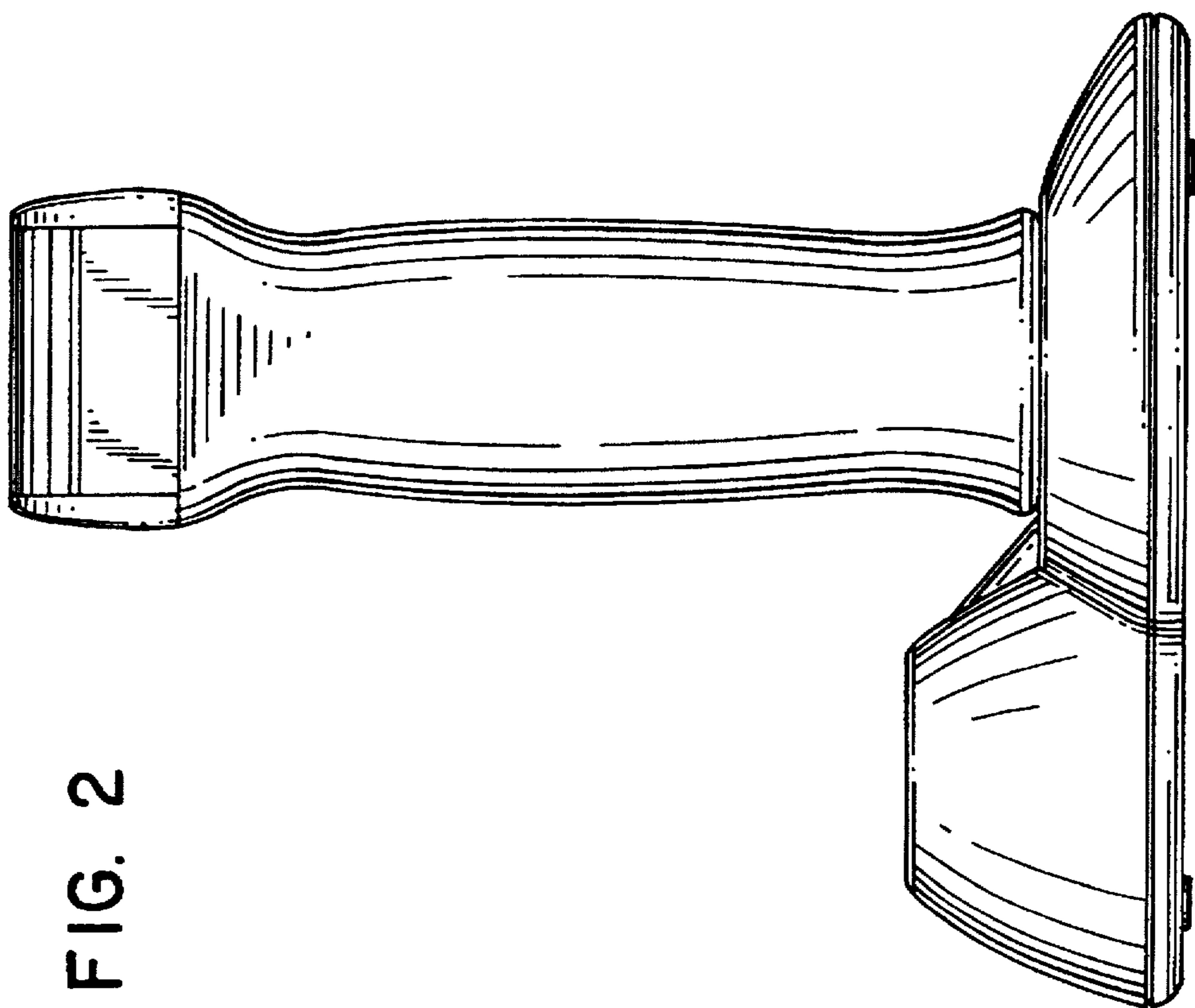


FIG. 2



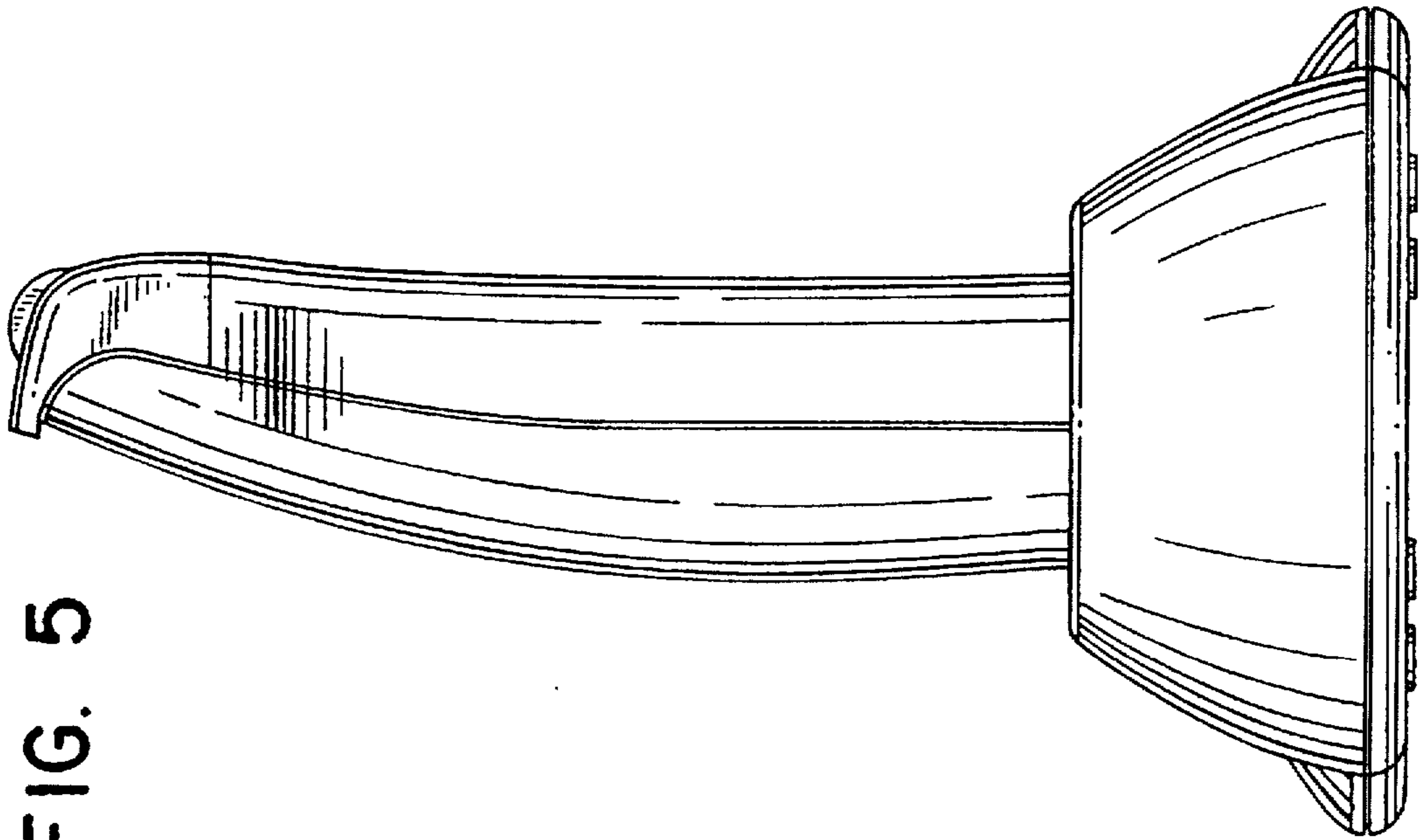


FIG. 5

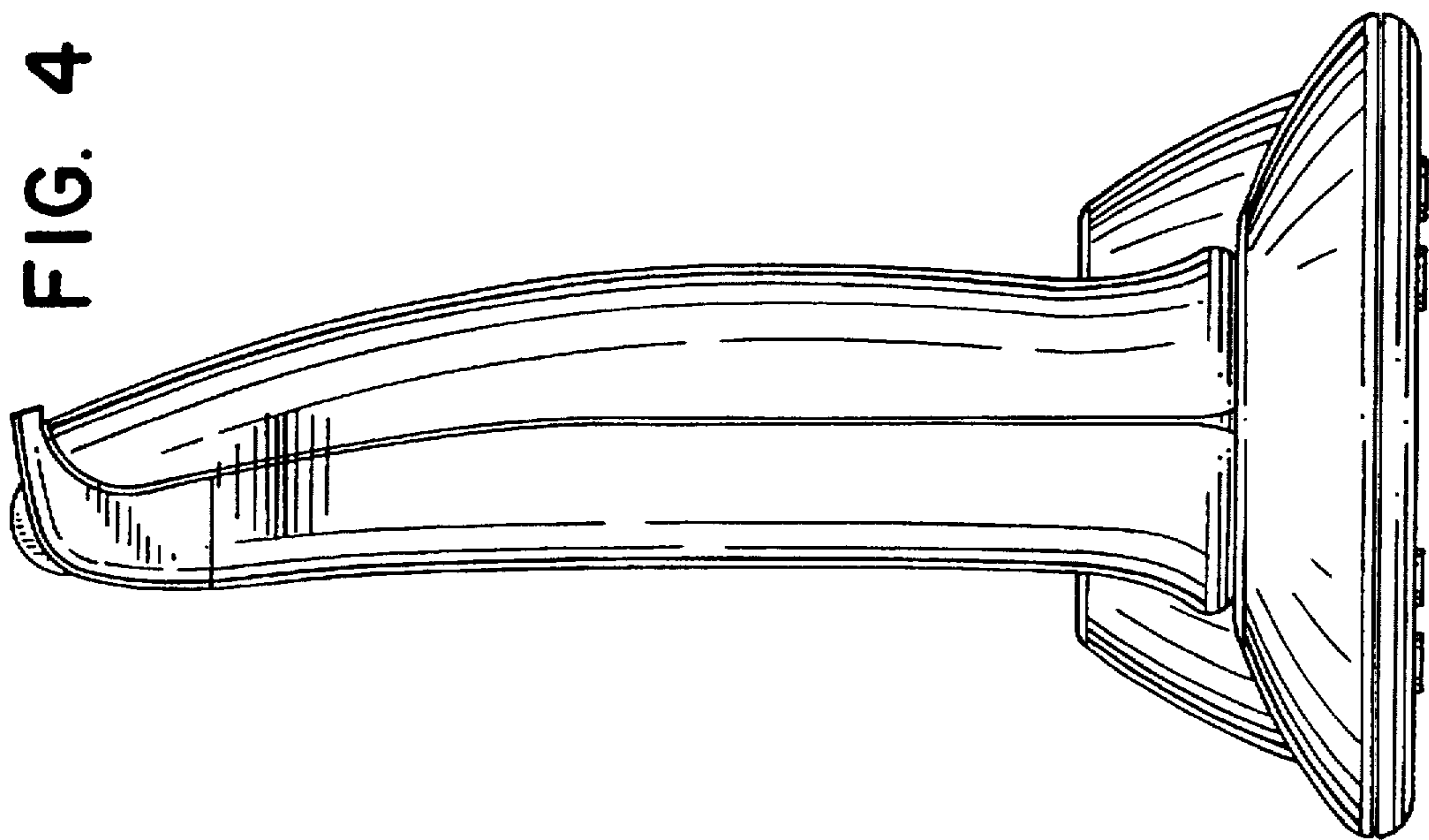


FIG. 4

FIG. 6

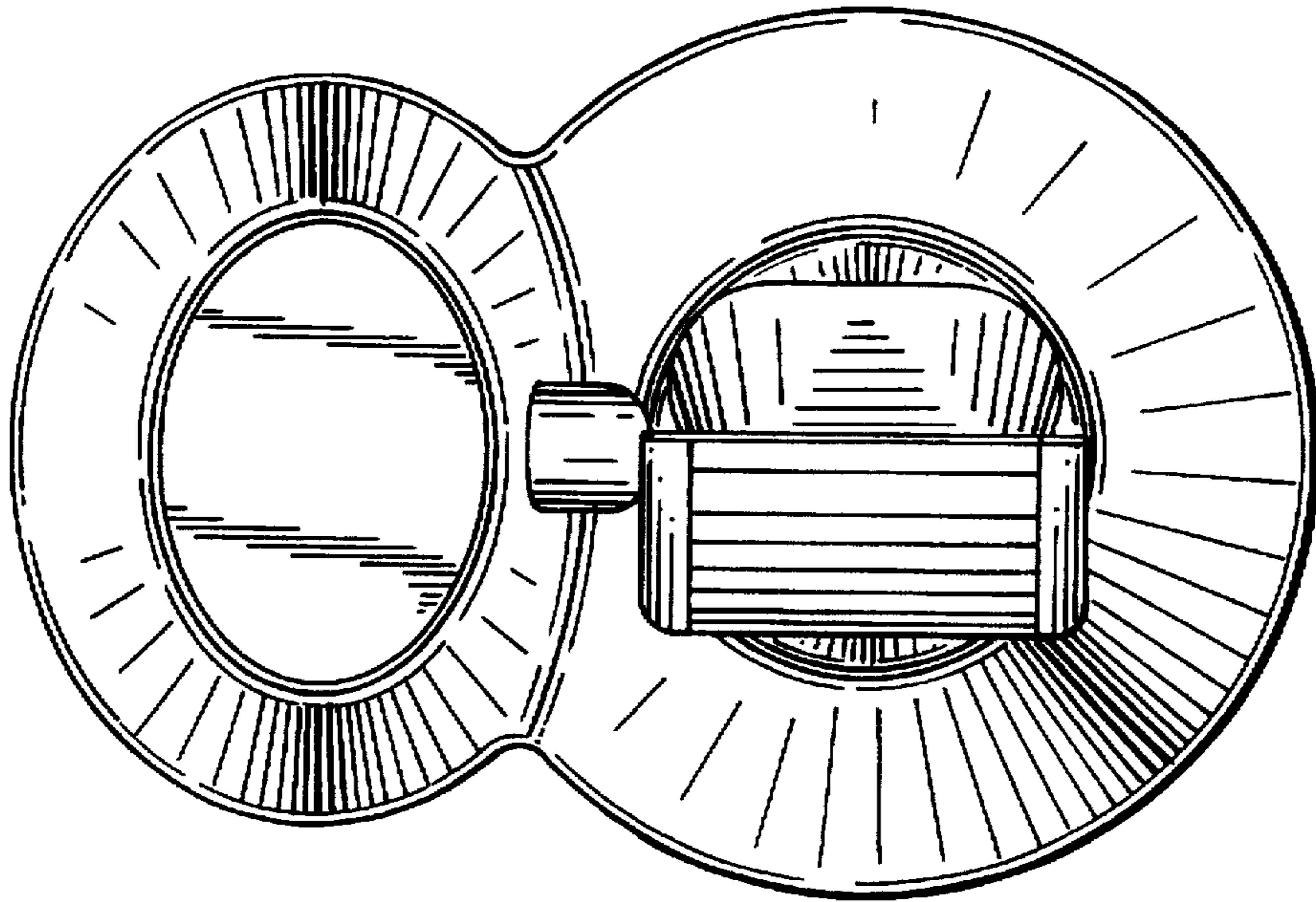


FIG. 7

