

US00D397508S

United States Patent [19] Rashid

[11] Patent Number: **Des. 397,508**
[45] Date of Patent: ****Aug. 25, 1998**

[54] **MOBILE BED/BATH SALON APPARATUS**

3,565,501 2/1971 Bowen et al. 312/228
5,678,255 10/1997 Stoudamire, Sr. 4/516

[76] Inventor: **Rose Rashid**, 8230 NW. 20th Ct.,
Sunrise, Fla. 33313

FOREIGN PATENT DOCUMENTS

[**] Term: **14 Years**

1459600 8/1969 Germany 4/643

[21] Appl. No.: **59,002**

OTHER PUBLICATIONS

[22] Filed: **Aug. 30, 1996**

WIPO document No. DM/000.055, Dec. 1979—FIGS. 1 and 2.

[51] LOC (6) Cl. **28-03**

Primary Examiner—Ted Shooman

[52] U.S. Cl. **D28/9; D28/20; D34/12;
D34/289; D23/2**

Assistant Examiner—C. Tuttle

[58] **Field of Search** D28/9, 10, 20;
D23/271, 289, 299, 286; D32/35, 37, 53,
54, 55; D24/123, 121; D34/12, 14; 4/643,
645, 648, 515–523, 483, 578.1, 621, 630–638;
248/129, 146, 149; 108/25, 26; 312/228,
228.1; D6/329, 396–8, 406, 429, 431, 449,
466, 484, 487; 211/151

[57] CLAIM

The ornamental design for a mobile bed/bath salon apparatus, as shown.

DESCRIPTION

[56] References Cited

U.S. PATENT DOCUMENTS

102,530 5/1870 Gammel 108/26
D. 160,918 11/1950 Berner D24/123
D. 268,781 4/1983 Battiston, Jr. D23/299
D. 347,294 5/1994 Jackson D28/20
484,956 10/1892 Gere 4/625
1,244,535 10/1917 Nutter 4/519
1,361,887 12/1920 Mattison D23/289 X
2,094,915 10/1937 Dawson 108/25
2,836,831 6/1958 Hurtwitz 4/631
3,105,665 10/1963 Starkweather 108/26 X

FIG. 1 is a front elevational view of the mobile bed/bath salon apparatus of the present invention;
FIG. 2 is a rear elevational view of the mobile bed/bath salon apparatus of FIG. 1;
FIG. 3 is a right side elevational view of the mobile bed/bath salon apparatus of FIG. 1;
FIG. 4 is a left side elevational view of the mobile bed/bath salon apparatus of FIG. 1;
FIG. 5 is a top plan view of the mobile bed/bath salon apparatus of FIG. 1; and
FIG. 6 is a bottom plan view of the mobile bed/bath apparatus of FIG. 1.

1 Claim, 3 Drawing Sheets

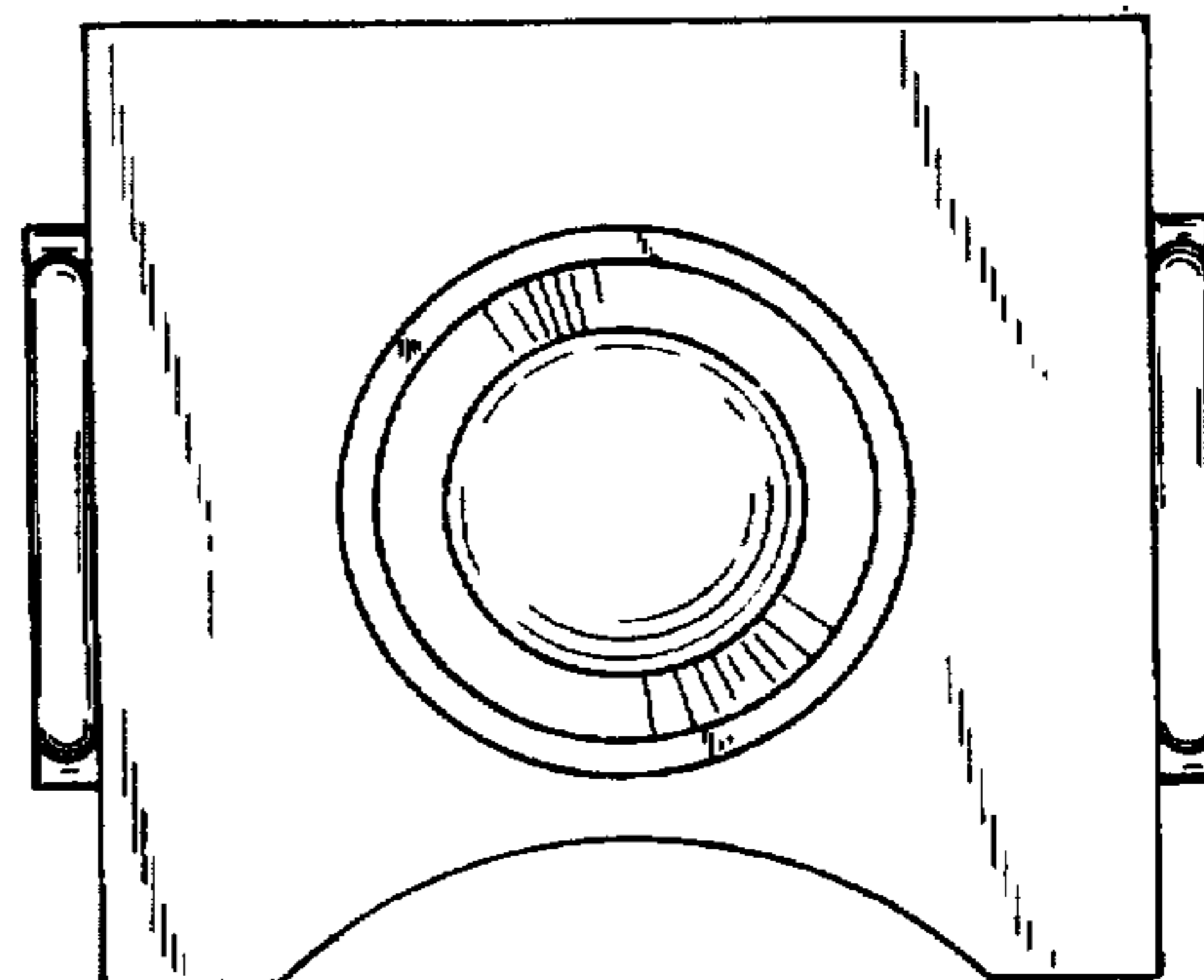
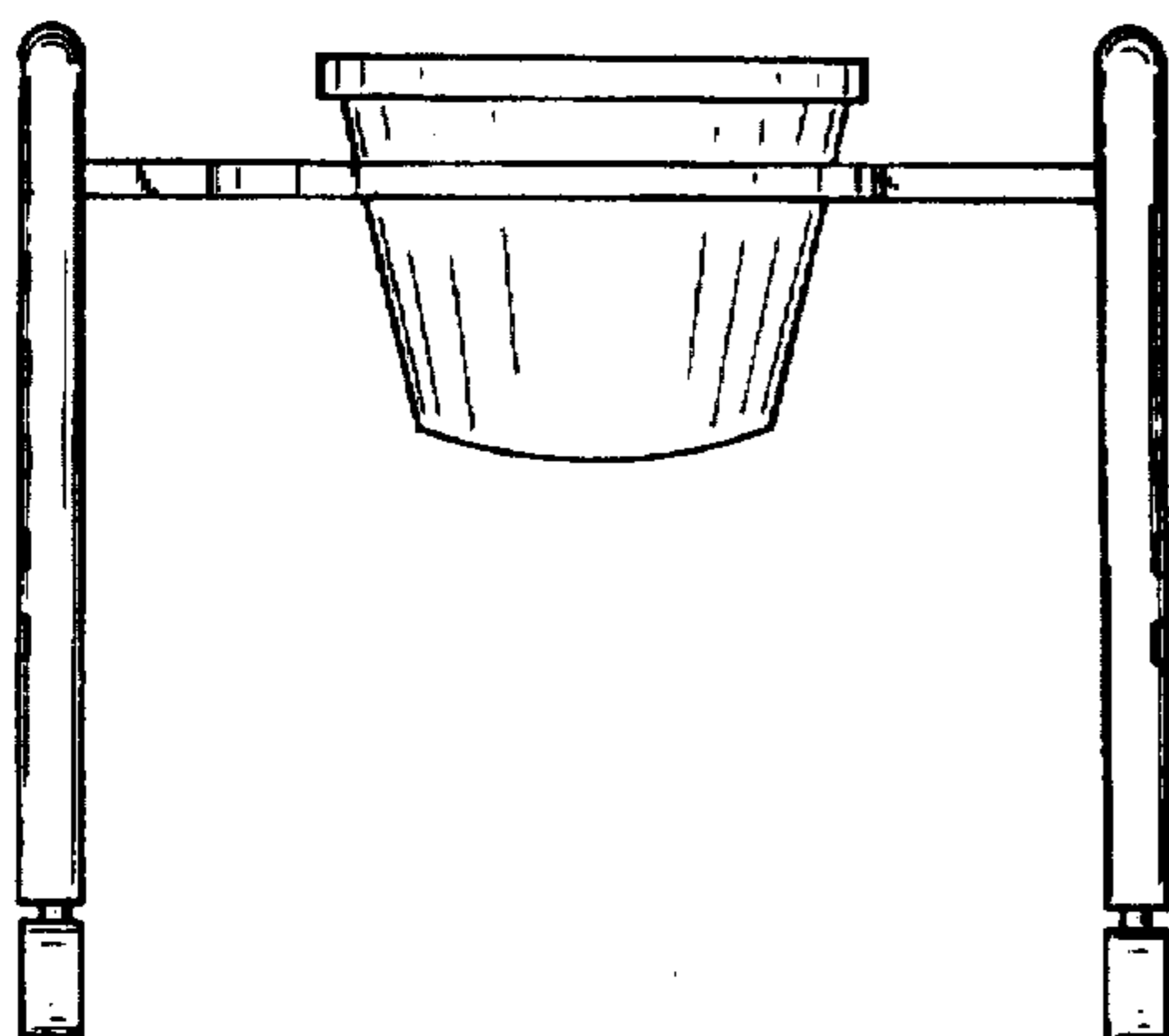


FIG. 5

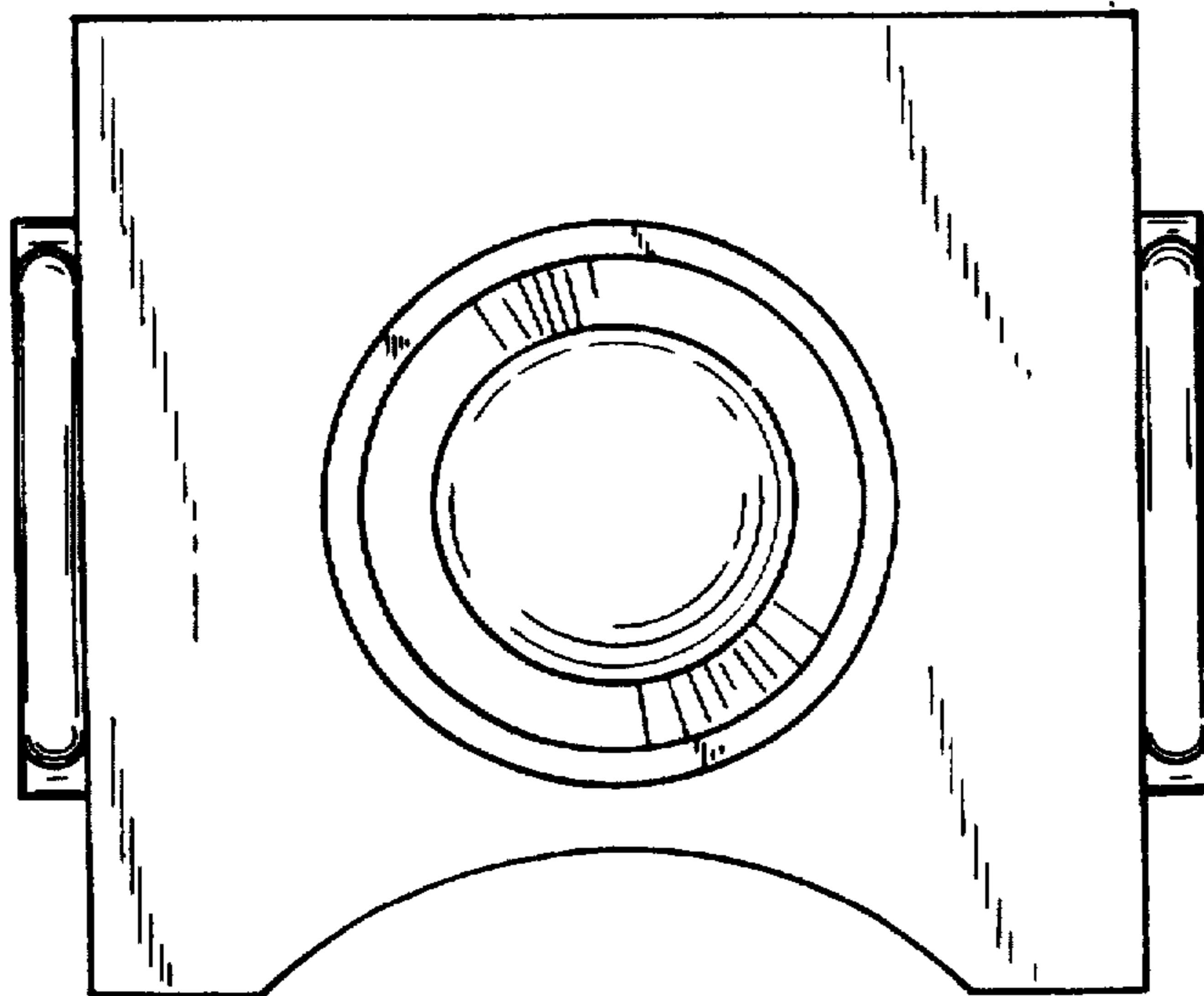


FIG. 1

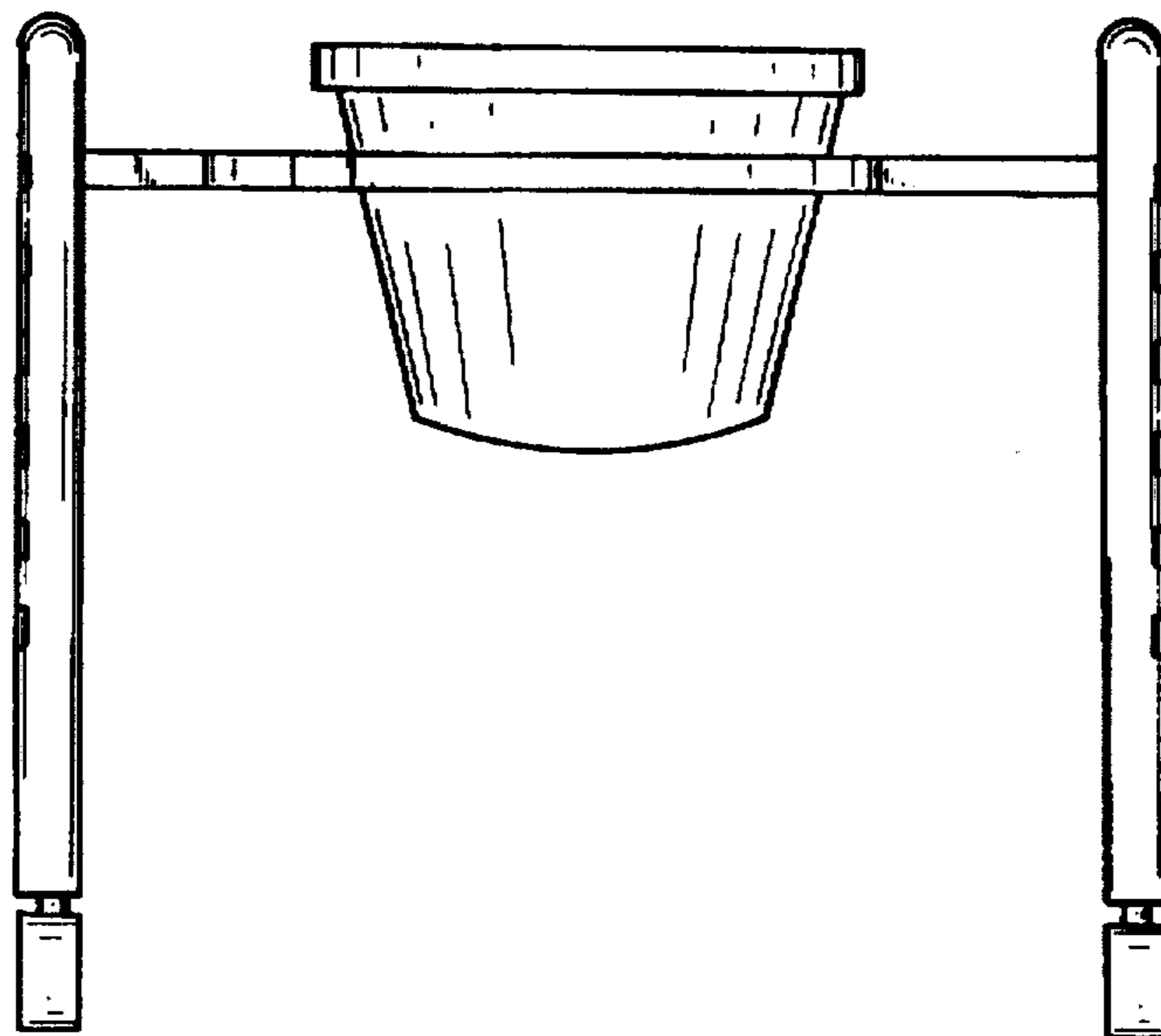


FIG. 2

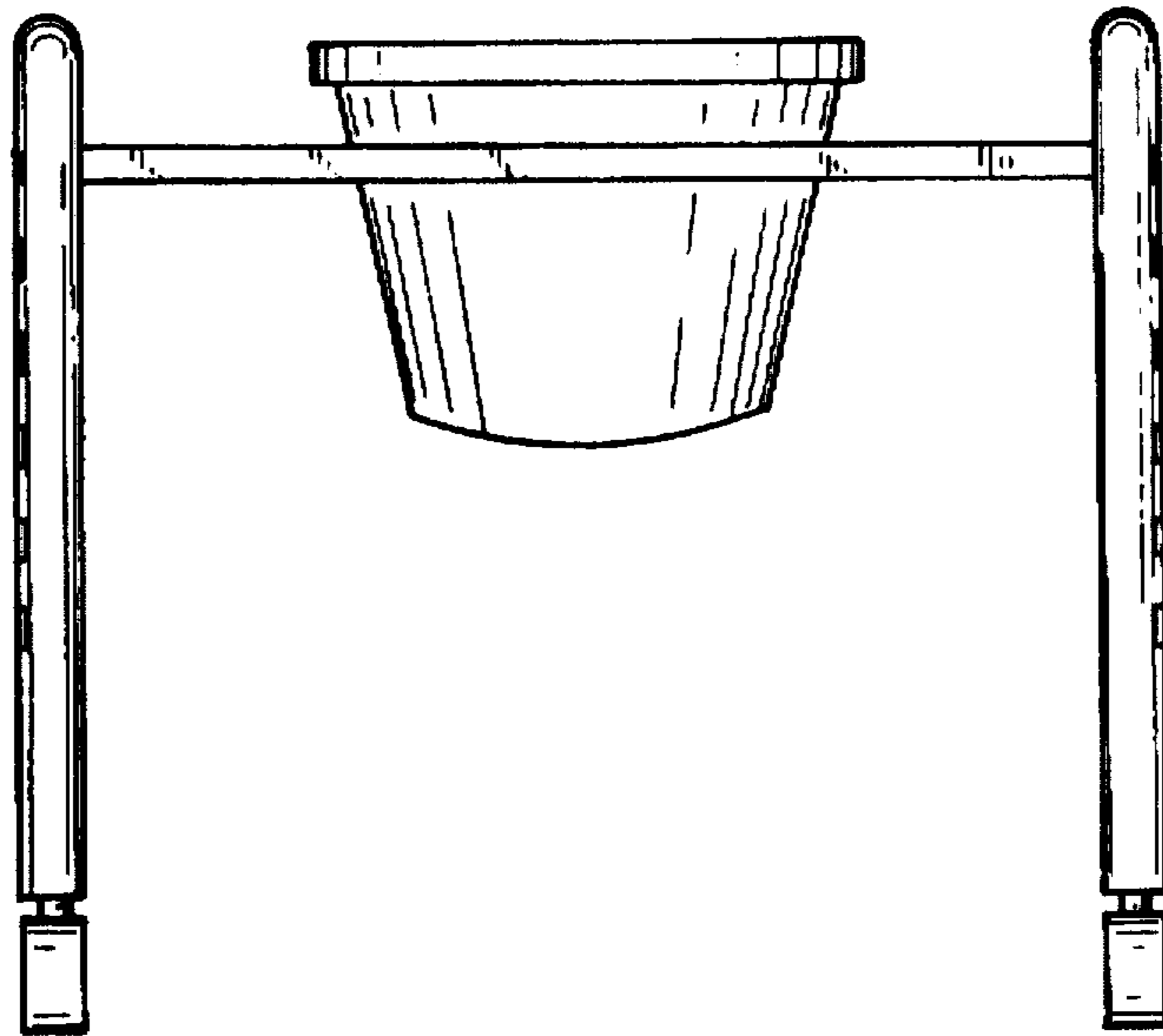


FIG. 6

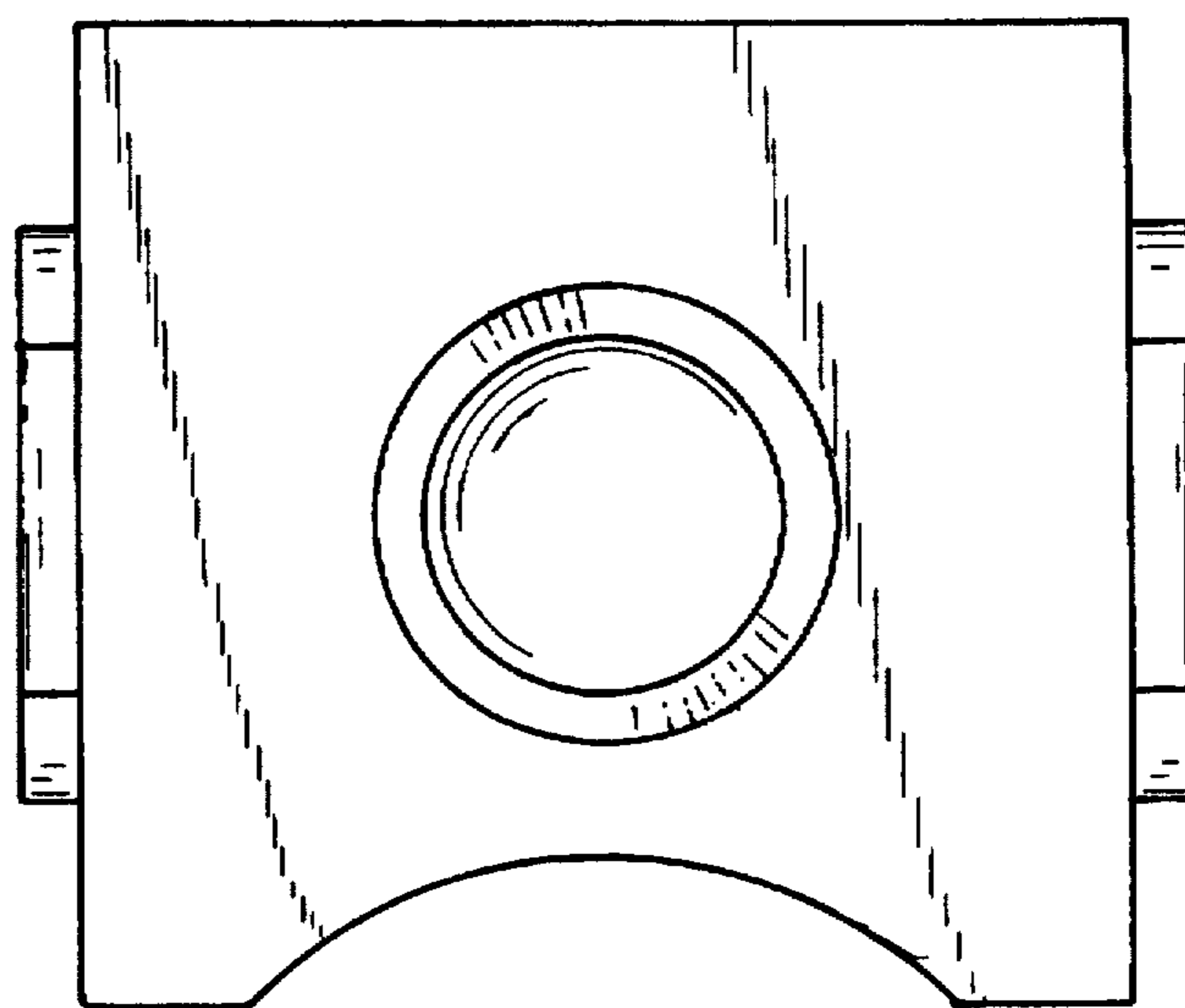


FIG. 4

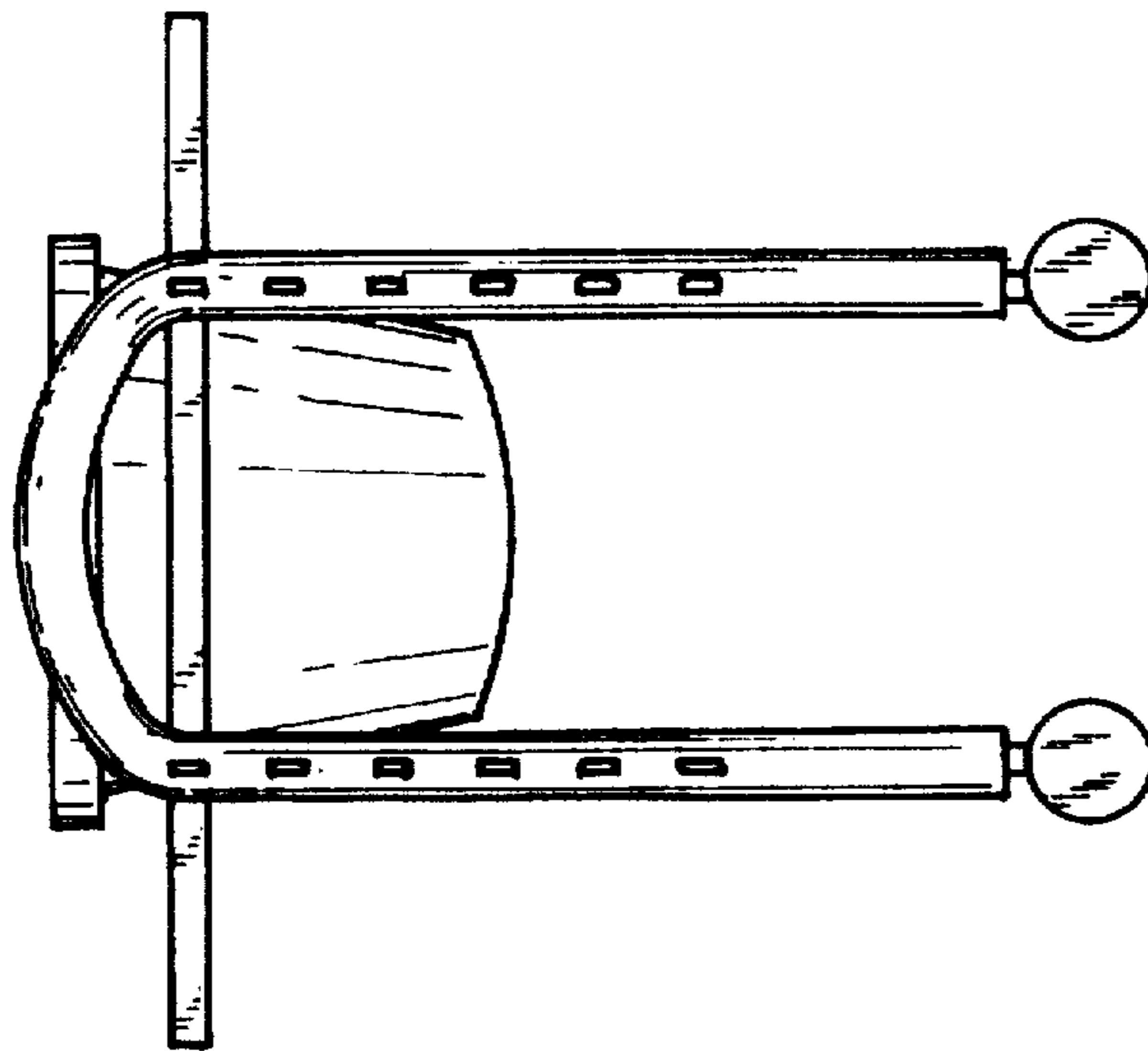


FIG. 3

