

US00D397507S

United States Patent [19] Bern

[11] Patent Number: **Des. 397,507**

[45] Date of Patent: ****Aug. 25, 1998**

[54] SOAP BAR

[76] Inventor: **Phyllis R. Bern**, 9801 E. Cholla St.,
Scottsdale, Ariz. 85260

[**] Term: **14 Years**

[21] Appl. No.: **75,872**

[22] Filed: **Aug. 29, 1997**

[51] LOC (6) Cl. **28-02**

[52] U.S. Cl. **D28/8.1**

[58] Field of Search D28/8.1, 8.2; D6/536,
D6/540; 248/682, 683, 686, 688, 309.2;
510/133, 140-148

[56] References Cited

U.S. PATENT DOCUMENTS

D. 54,074	11/1919	Fritz	D28/8.1 X
D. 59,416	10/1921	Finger	D28/8.1
D. 153,734	5/1949	Silson	D28/8.2
D. 210,432	3/1968	Koenigsberg	D28/8.2
D. 263,885	4/1982	Blaszkowski	D28/8.1
D. 271,910	12/1983	Blaszkowski	D28/8.1
1,026,438	5/1912	Haddow	510/149
1,587,279	6/1926	Burgher	510/148
2,586,626	2/1952	Dunn	248/309.2
4,879,063	11/1989	Wood-Rethwill et al.	510/146
5,642,871	7/1997	Repert et al.	248/686

FOREIGN PATENT DOCUMENTS

160326	1/1904	Germany	248/309.2
2-8300	1/1990	Japan	.	
292291	6/1928	United Kingdom	.	

OTHER PUBLICATIONS

Canadian Industrial Design Registration No. 48,167 to
Blaskowski, Apr. 1981.

Primary Examiner—Sandra L. Morris
Assistant Examiner—C. Tuttle
Attorney, Agent, or Firm—Edward H. Renner

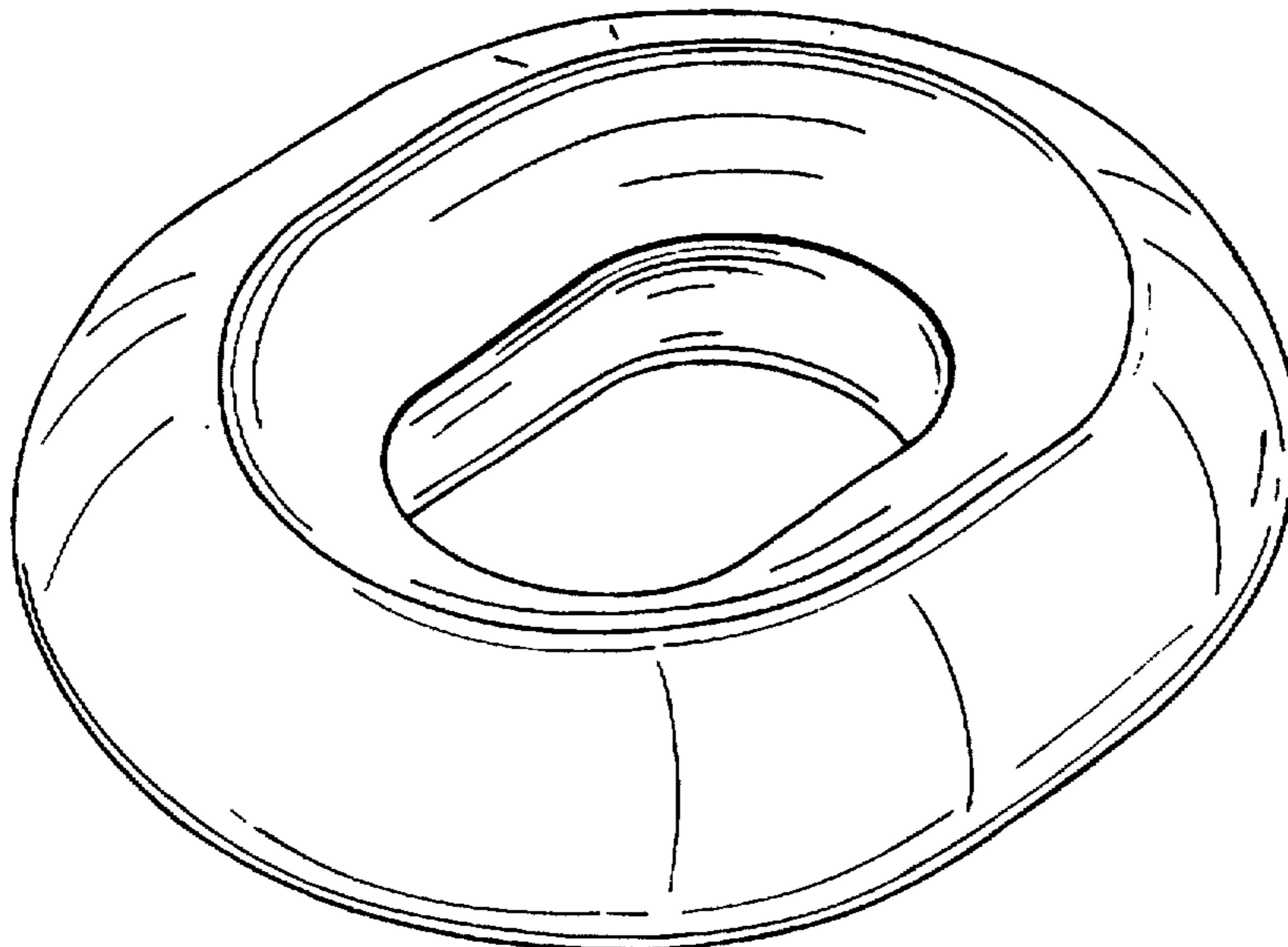
[57] CLAIM

The ornamental design for a soap bar, as shown and
described.

DESCRIPTION

FIG. 1 is a top plan view of a soap bar showing my new
design, the bottom view being identical;
FIG. 2 is a front elevational view thereof, the rear elevational
view being identical;
FIG. 3 is a cross sectional view taken along the plane 3—3
in FIG. 1;
FIG. 4 is a right side view thereof, the left and right sides
being identical; and,
FIG. 5 is a perspective view thereof.

1 Claim, 2 Drawing Sheets



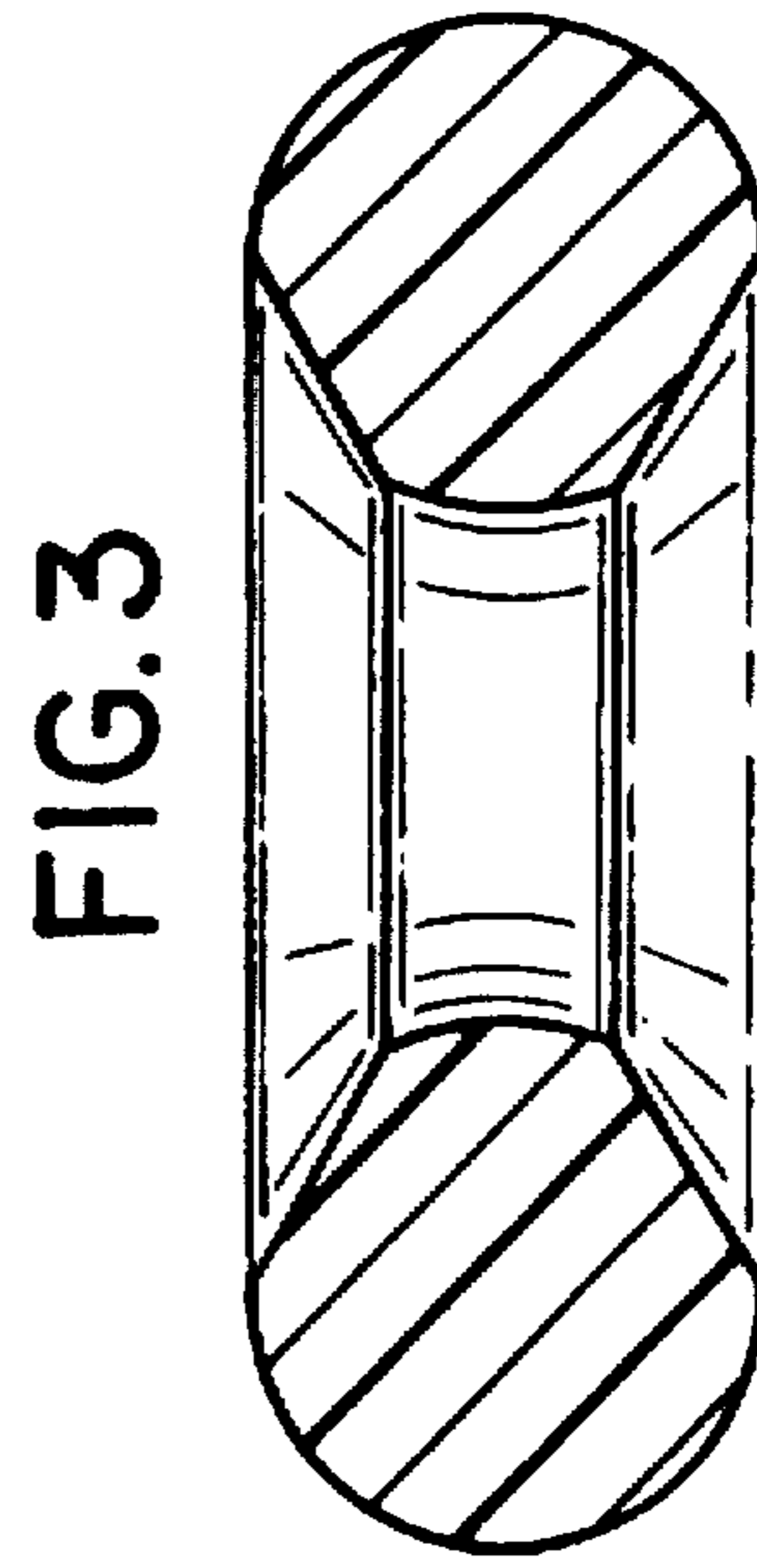
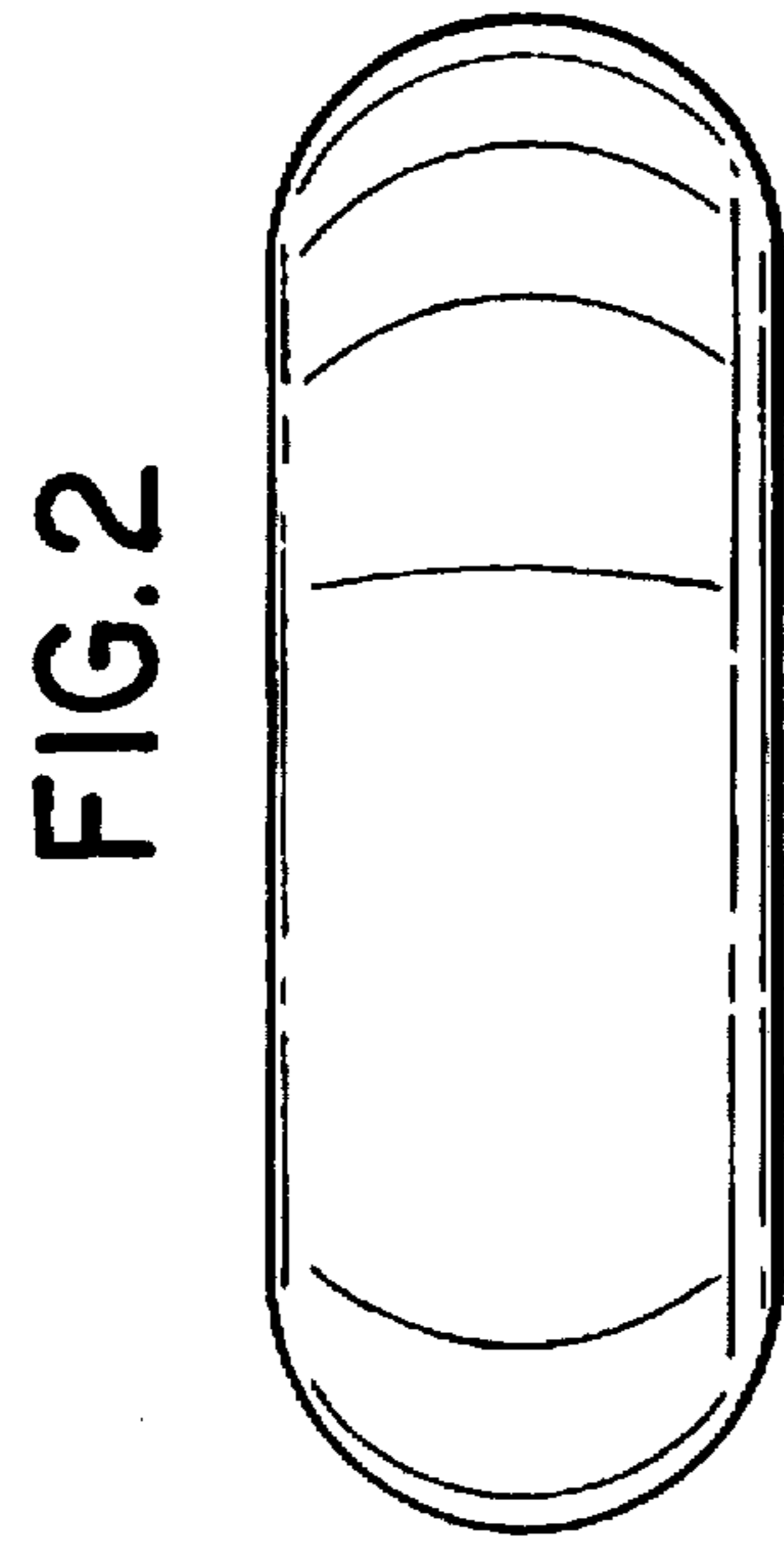
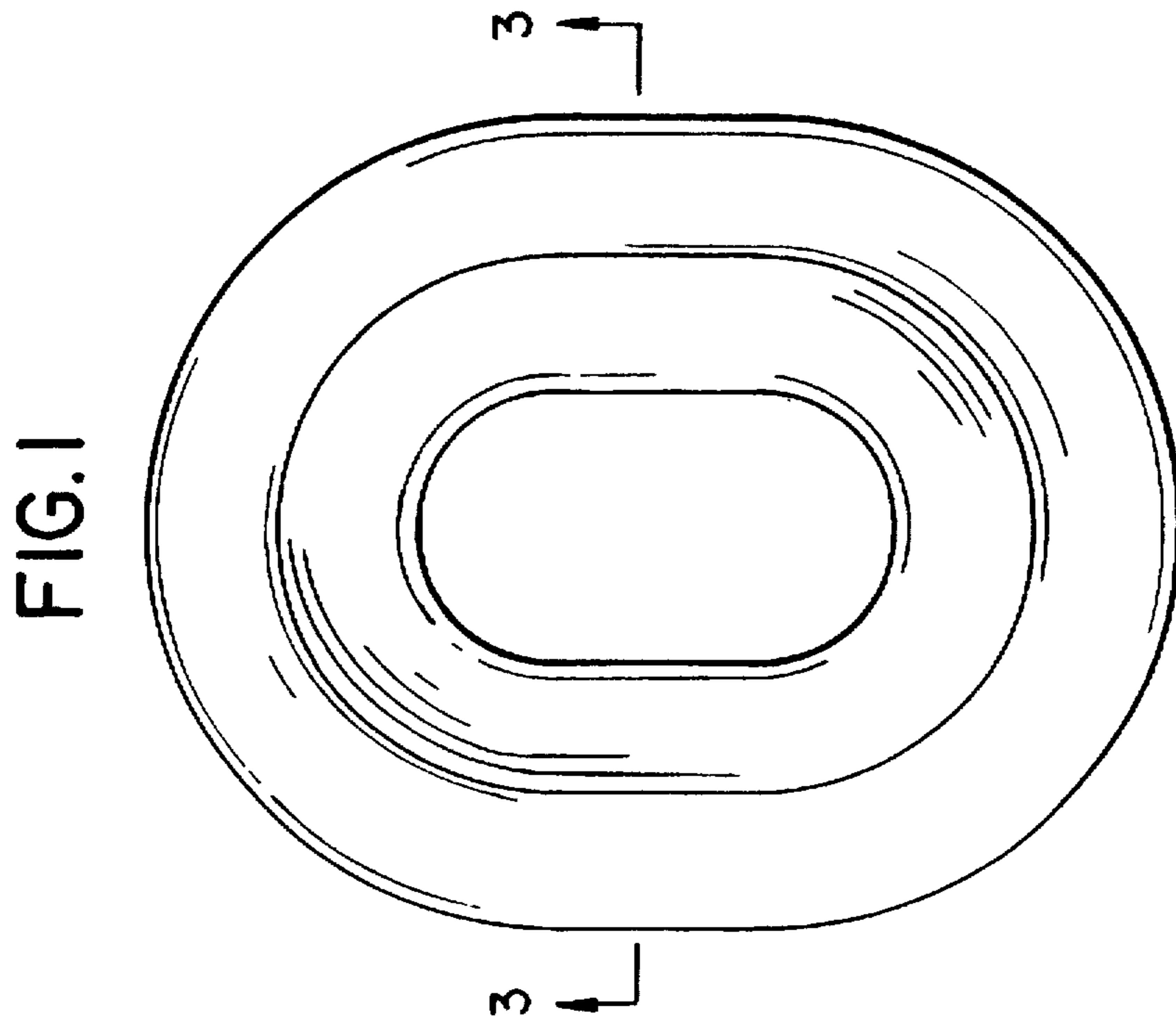


FIG. 5

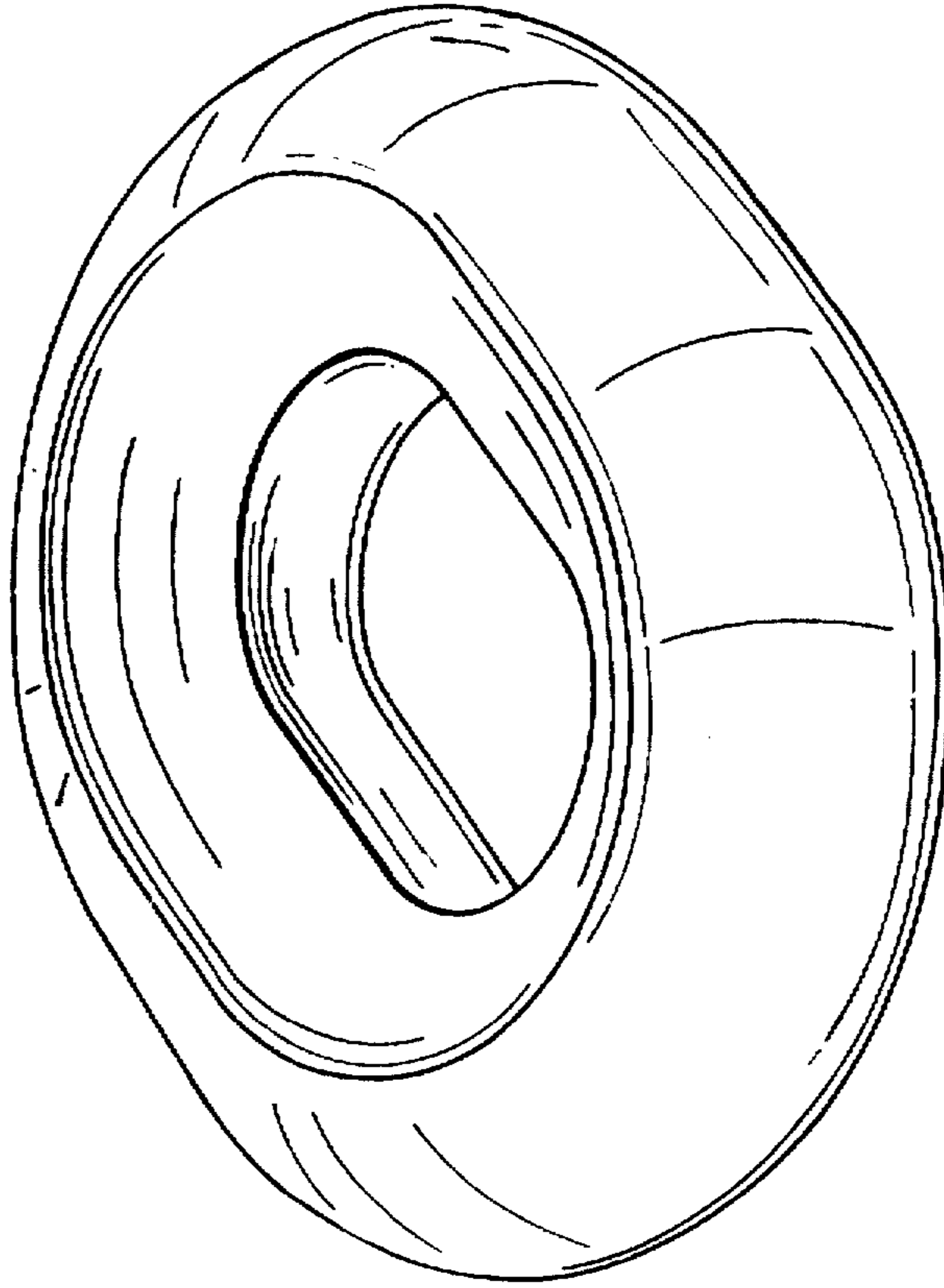


FIG. 4

