



US00D397496S

United States Patent [19]
Luedecke

[11] **Patent Number:** **Des. 397,496**

[45] **Date of Patent:** ****Aug. 25, 1998**

[54] **COMBINATION SMOKING DEBRIS
RECEPTACLE AND TABLE**

[76] **Inventor:** **Carol S. Luedecke, 709 Bayou Dr.,
Destin, Fla. 32541**

[**] **Term:** **14 Years**

[21] **Appl. No.:** **74,135**

[22] **Filed:** **Jul. 25, 1997**

[51] **LOC (6) CL** **27-03**

[52] **U.S. Cl.** **D27/123; D27/125**

[58] **Field of Search** **220/576, 8; D6/397;
131/329, 235.1, 242, 256; D27/102, 103,
106, 107, 122, 123, 105, 133, 134, 135,
110, 125; 206/246; 312/73**

[56] **References Cited**

U.S. PATENT DOCUMENTS

D. 54,465	2/1920	Schulte et al.	D27/107
D. 248,329	6/1978	Genaini	D27/123
1,646,086	10/1927	Fleming	.	
1,646,099	10/1927	Mitchell	.	
1,662,171	3/1928	Savery	.	
2,390,657	12/1945	Loudermilk	206/246 X
2,567,166	9/1951	Dick	232/43.2
4,142,537	3/1979	Fenelon	131/240

OTHER PUBLICATIONS

“Butt Can”—1205, Safety Cans Magazine, Manufacturing Company, May, 1994.

Photo—“Smokers’ Outpost” Product, Production Prior to Jul., 1996.

Primary Examiner—Susan J. Lucas
Assistant Examiner—Jennifer Rivard
Attorney, Agent, or Firm—Isaf, Vaughan & Kerr

[57] **CLAIM**

The ornamental design for a “combination smoking debris receptacle and table”, as shown and described.

DESCRIPTION

FIG. 1 is a perspective view of the combination smoking debris receptacle and table, in accordance with a preferred embodiment of the present invention;

FIG. 2 is a front view thereof;

FIG. 3 is a left side view, to which the right side view is a mirror image thereof;

FIG. 4 is a rear view thereof;

FIG. 5 is a top view thereof;

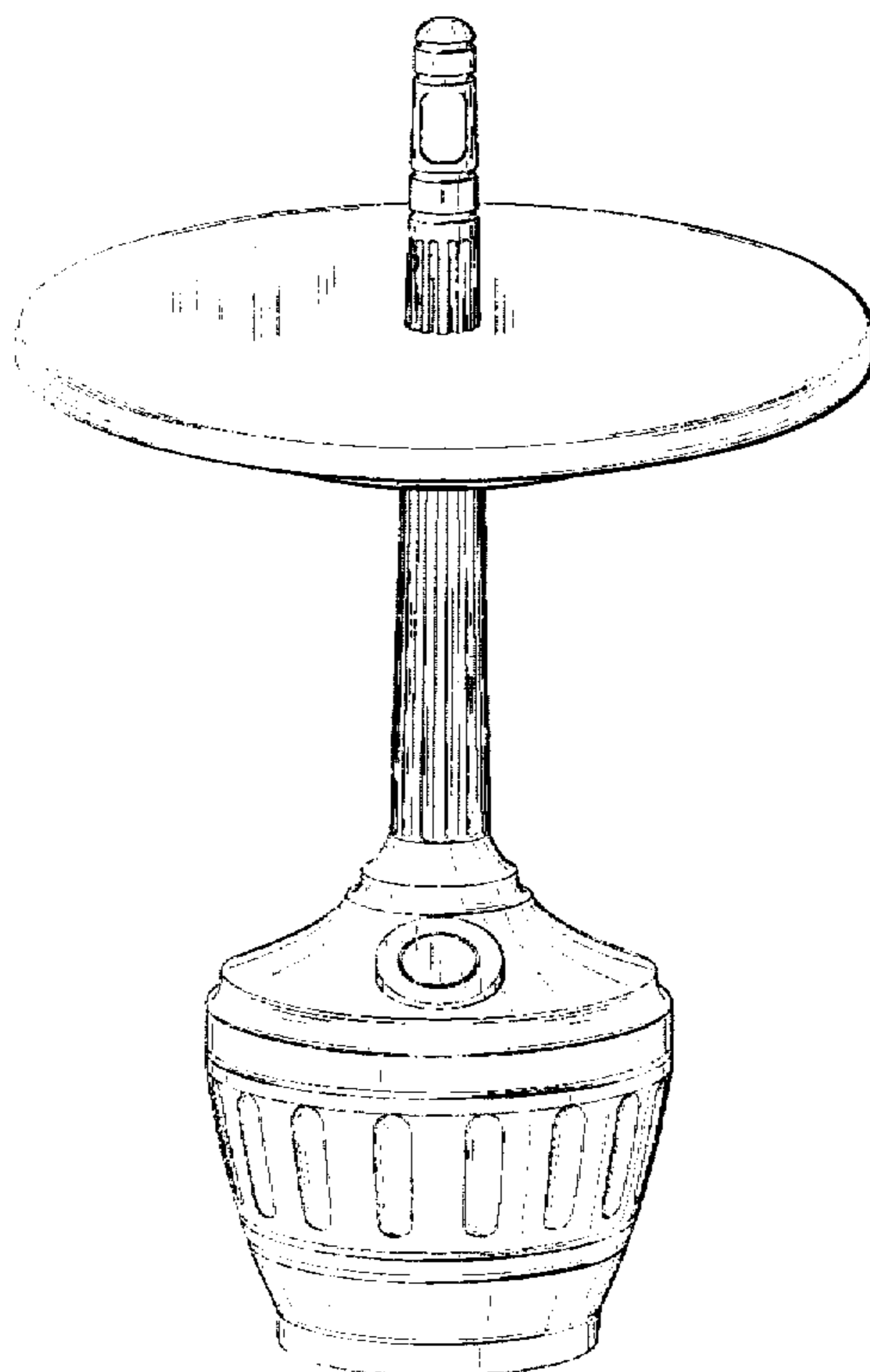
FIG. 6 is a perspective view of the combination smoking debris receptacle and table, in accordance with an alternate embodiment of the present invention;

FIG. 7. is a front view thereof, to which the rear view is a mirror image thereof;

FIG. 8 is a left side view, to which the right side view is a mirror image thereof; and,

FIG. 9 is a top view thereof.

1 Claim, 5 Drawing Sheets



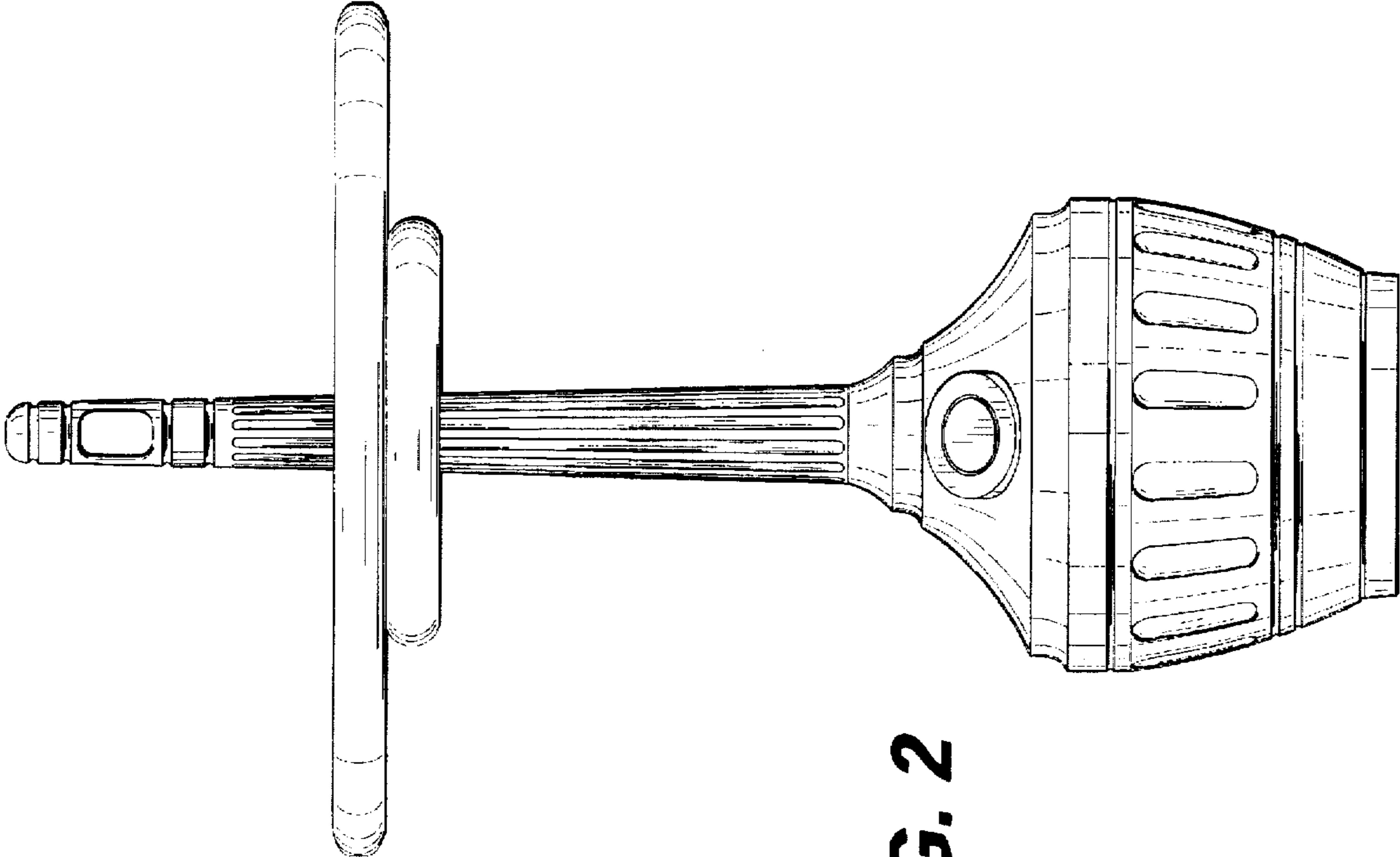


FIG. 2

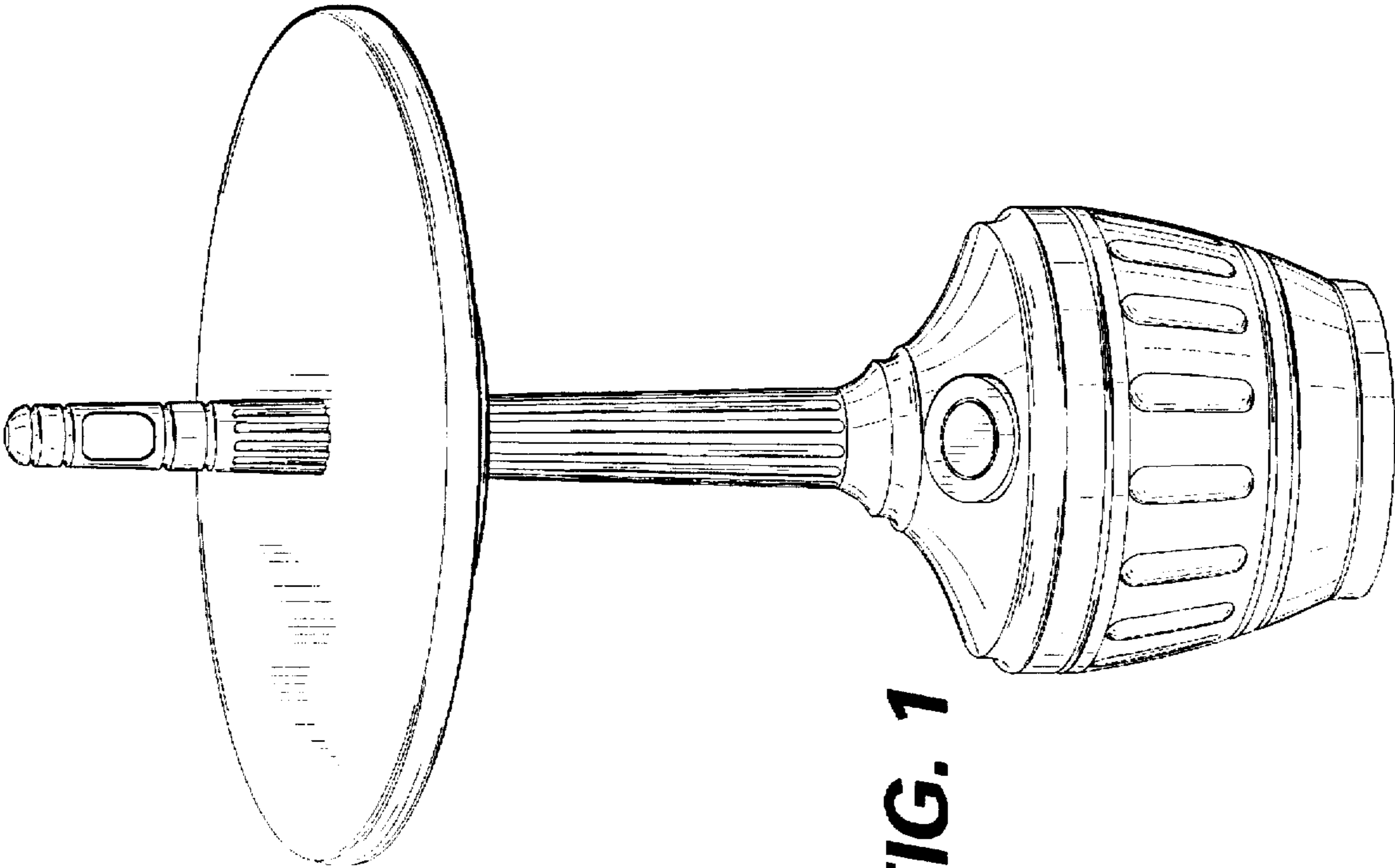


FIG. 1

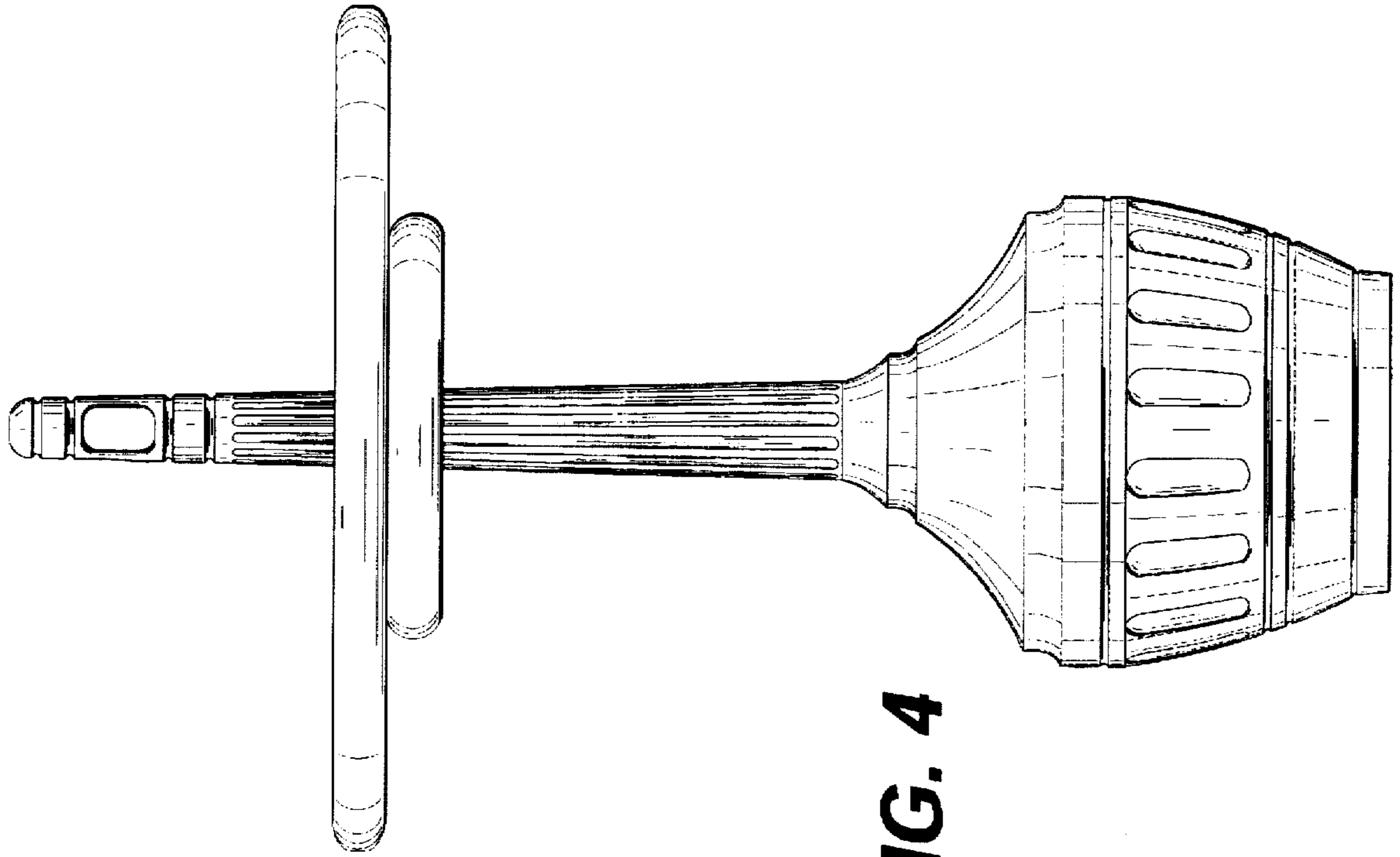


FIG. 4

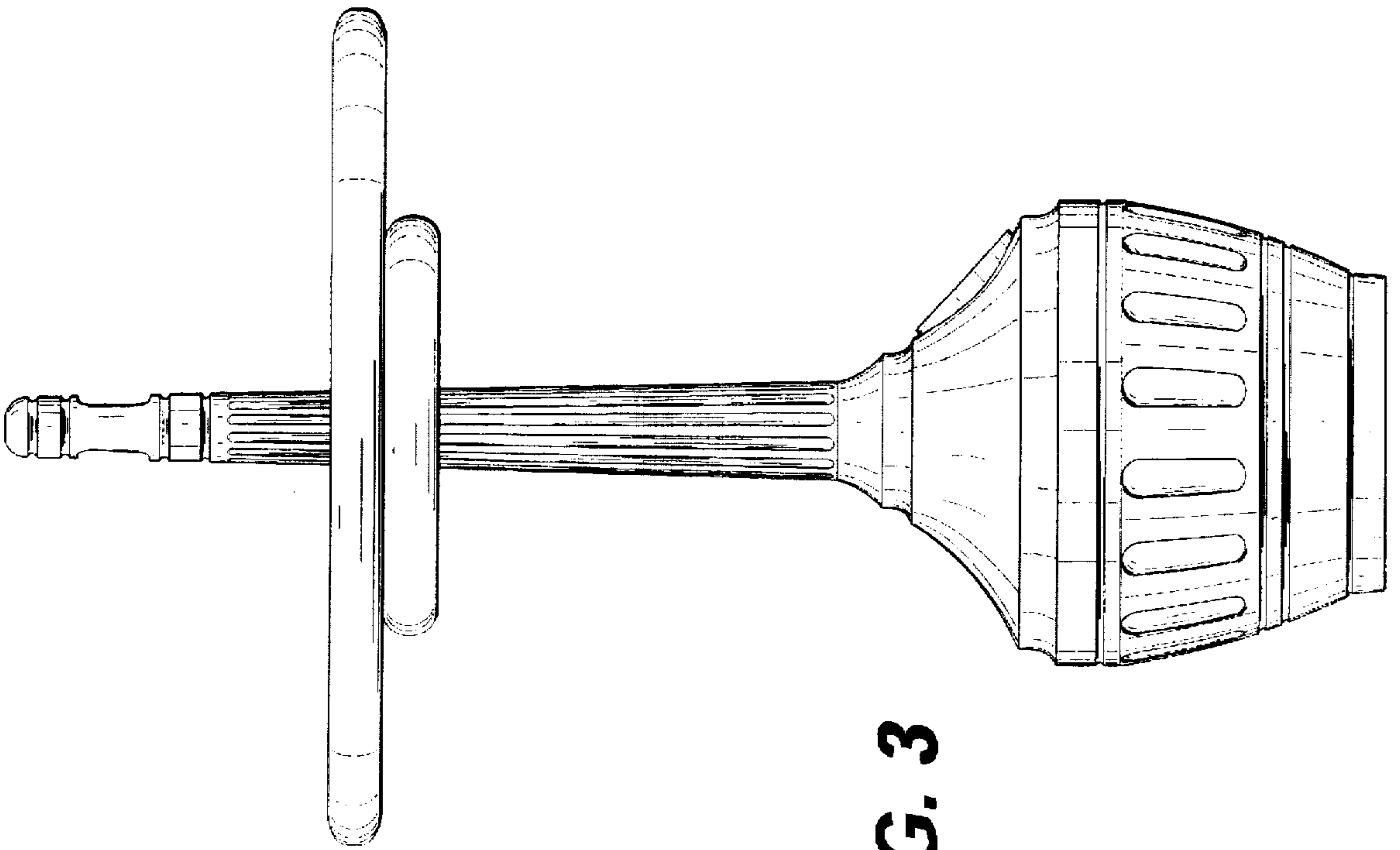


FIG. 3

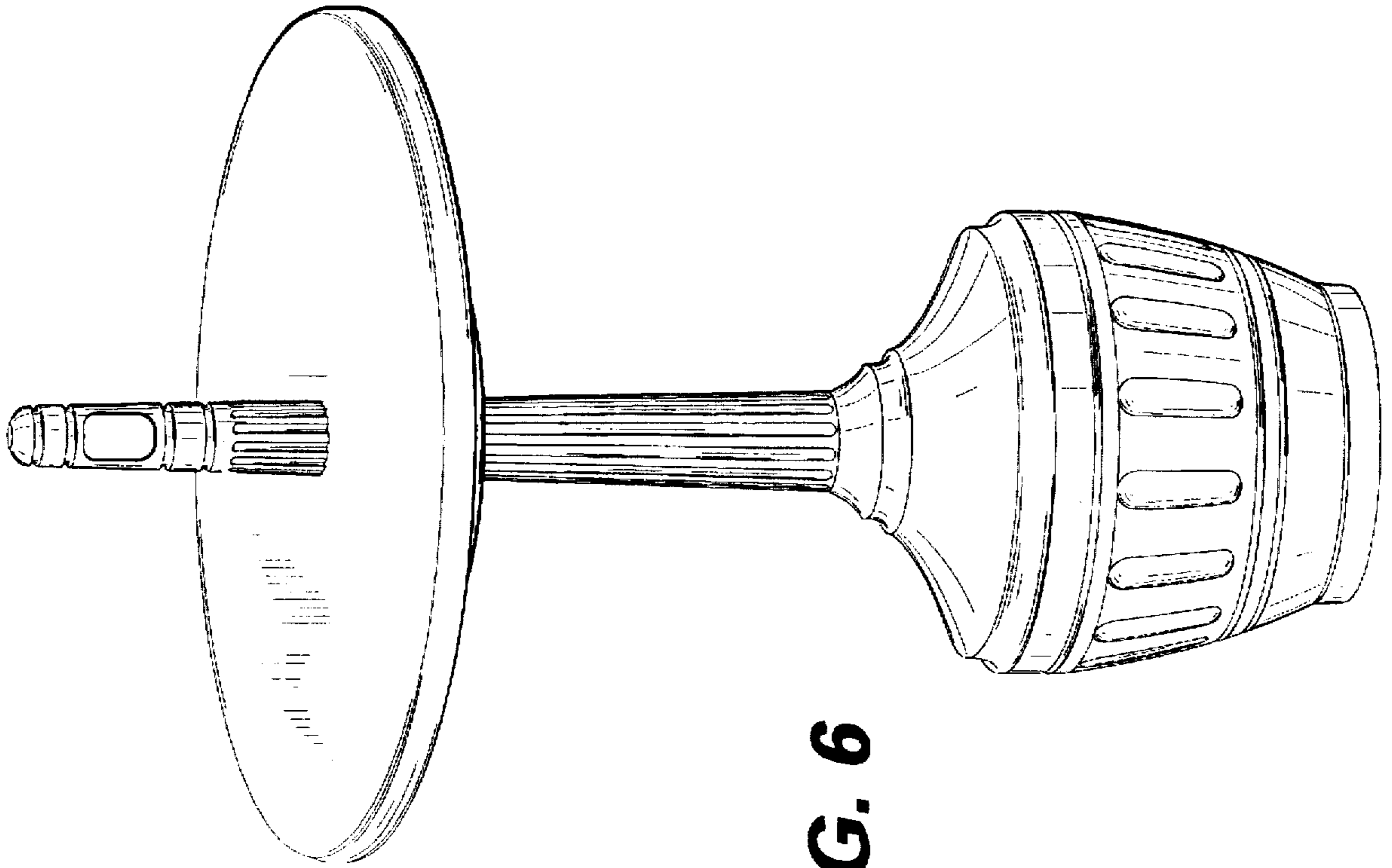


FIG. 6

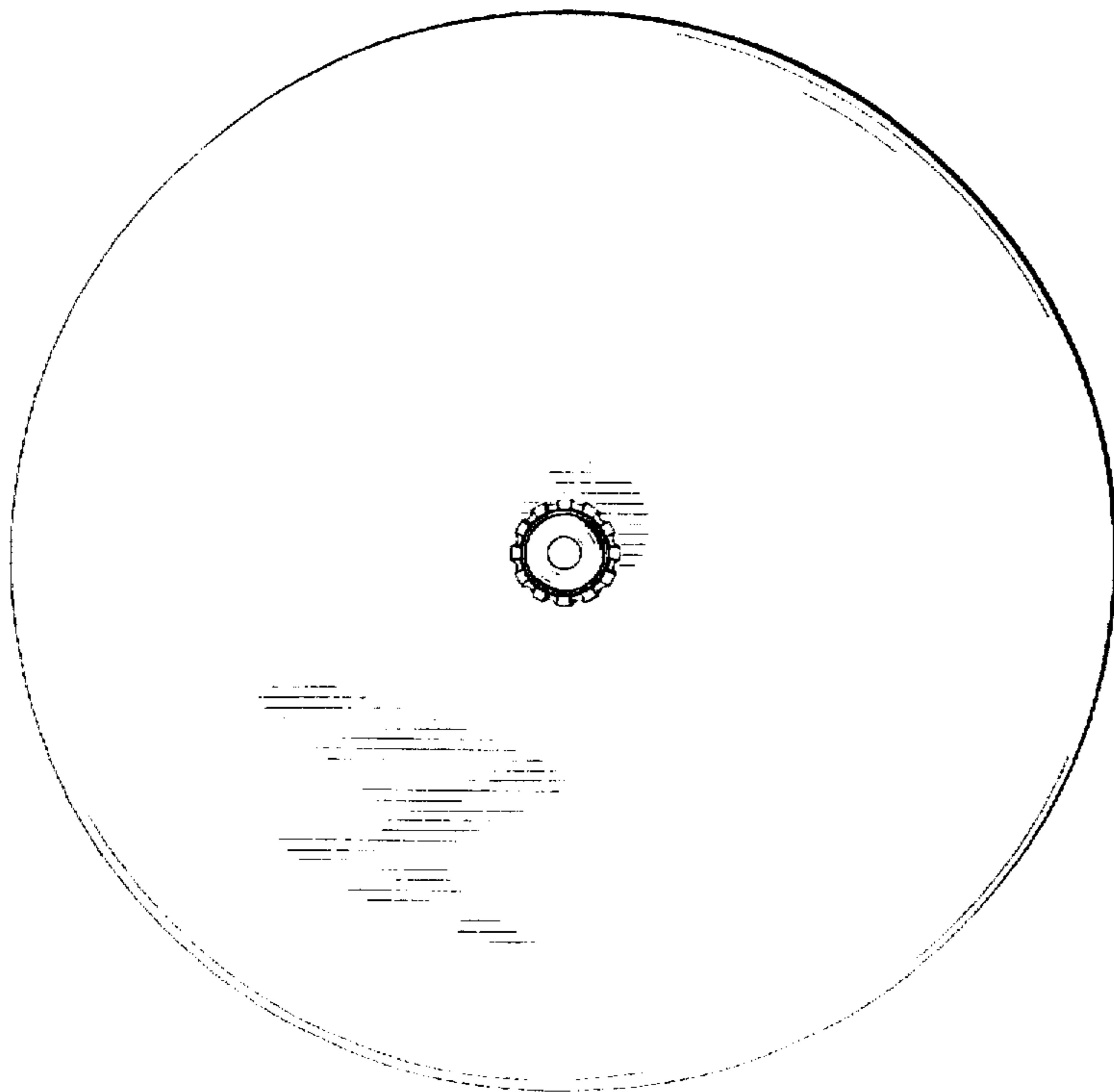


FIG. 5

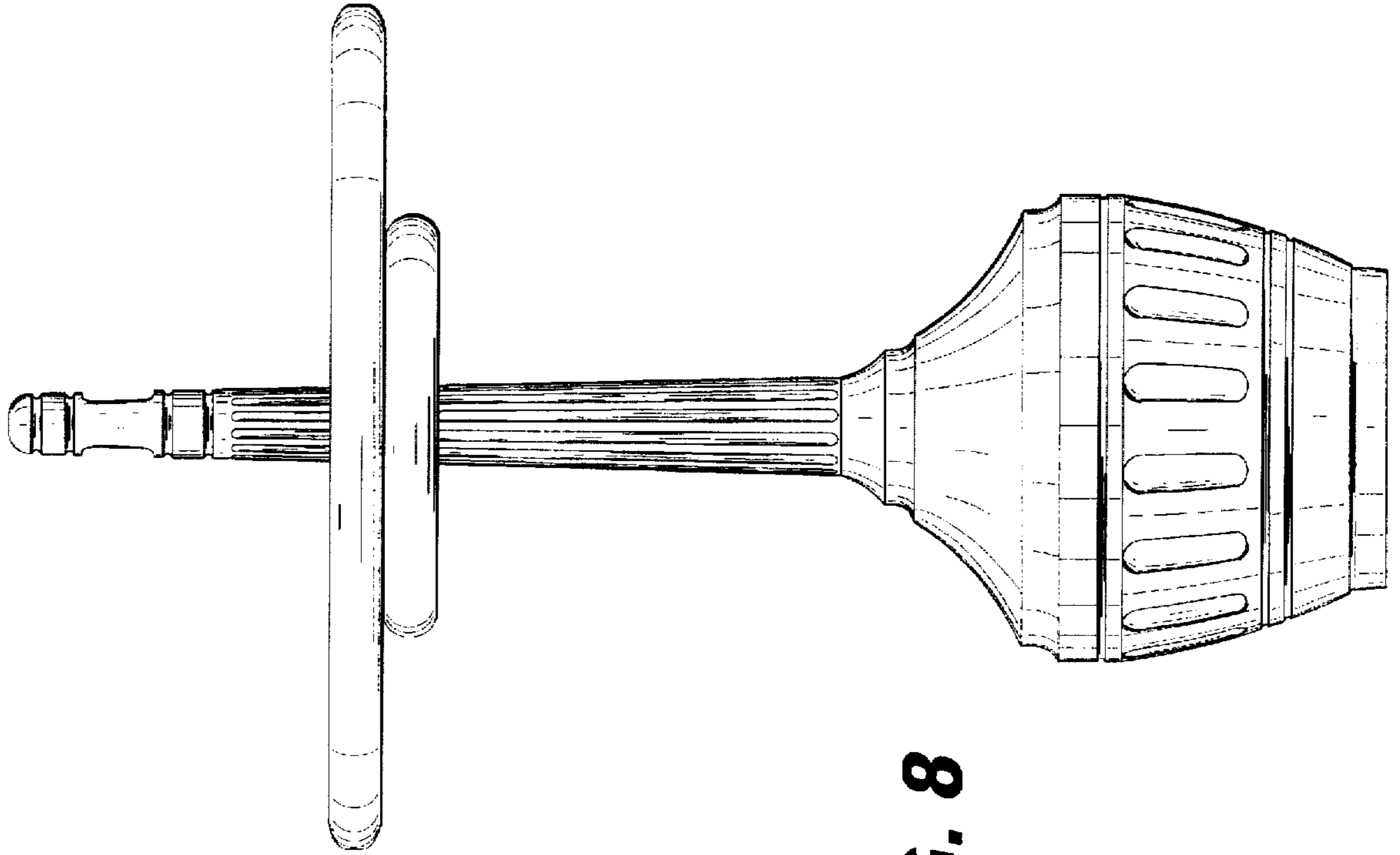


FIG. 8

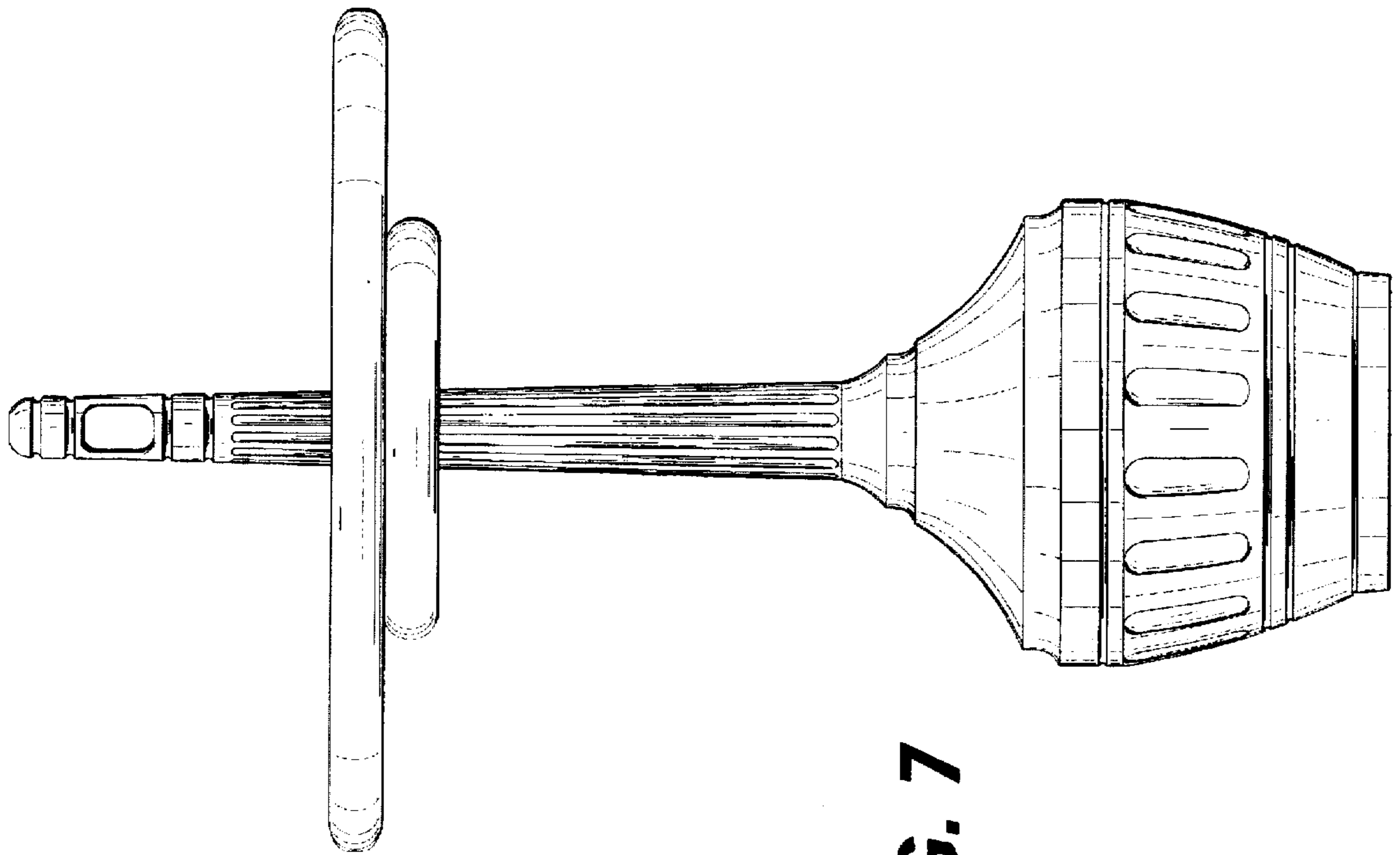


FIG. 7

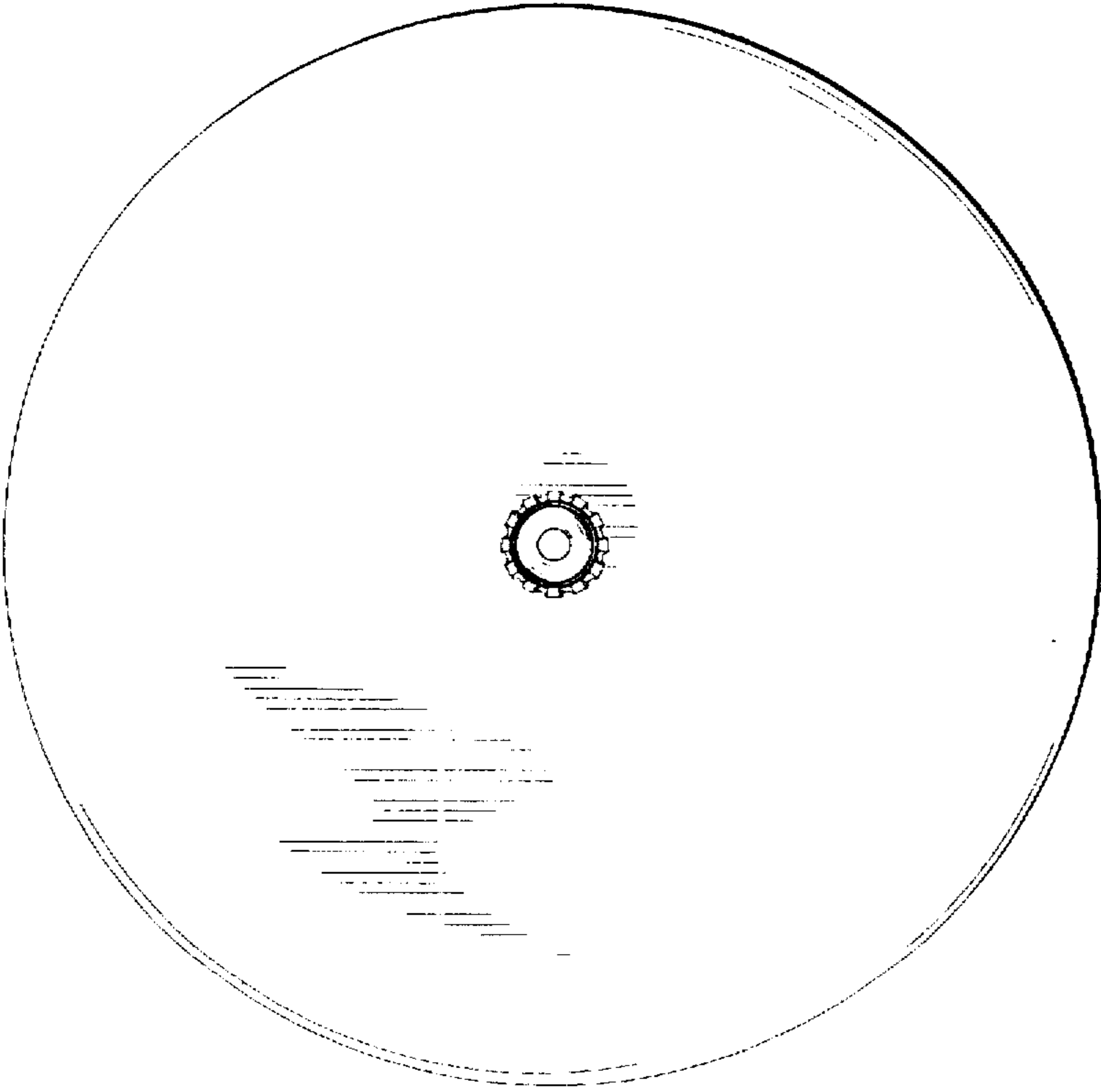


FIG. 9